

(19) World Intellectual Property Organization  
International Bureau



(43) International Publication Date  
29 May 2008 (29.05.2008)

PCT

(10) International Publication Number  
**WO 2008/062477 A3**

(51) International Patent Classification:  
A63F 1/12 (2006.01) A63F 1/14 (2006.01)

ES, FI, GB, GD, GE, GH, GM, GT, HN, HR, HU, ID, IL, IN, IS, JP, KE, KG, KM, KN, KP, KR, KZ, LA, LC, LK, LR, LS, LT, LU, LY, MA, MD, ME, MG, MK, MN, MW, MX, MY, MZ, NA, NG, NI, NO, NZ, OM, PG, PH, PL, PT, RO, RS, RU, SC, SD, SE, SG, SK, SL, SM, SV, SY, TJ, TM, TN, TR, TT, TZ, UA, UG, US, UZ, VC, VN, ZA, ZM, ZW.

(21) International Application Number:  
PCT/IN2007/000515

(22) International Filing Date: 29 October 2007 (29.10.2007)

(25) Filing Language: English

(84) Designated States (unless otherwise indicated, for every kind of regional protection available): ARIPO (BW, GH, GM, KE, LS, MW, MZ, NA, SD, SL, SZ, TZ, UG, ZM, ZW), Eurasian (AM, AZ, BY, KG, KZ, MD, RU, TJ, TM), European (AT, BE, BG, CH, CY, CZ, DE, DK, EE, ES, FI, FR, GB, GR, HU, IE, IS, IT, LT, LU, LV, MC, MT, NL, PL, PT, RO, SE, SI, SK, TR), OAPI (BF, BJ, CF, CG, CI, CM, GA, GN, GQ, GW, ML, MR, NE, SN, TD, TG).

(26) Publication Language: English

(30) Priority Data:  
1798/MUM/2006 30 October 2006 (30.10.2006) IN

(71) Applicant and  
(72) Inventor: MALI, Vasant, Dattatraya [IN/IN]; A-16, Swapnashilp,, 19/2, Ganeshnagar, Kothrud,, PUNE 411038, Maharashtra (IN).

Declaration under Rule 4.17:  
— as to the identity of the inventor (Rule 4.17(i))

Published:  
— with international search report

(81) Designated States (unless otherwise indicated, for every kind of national protection available): AE, AG, AL, AM, AT, AU, AZ, BA, BB, BG, BH, BR, BW, BY, BZ, CA, CH, CN, CO, CR, CU, CZ, DE, DK, DM, DO, DZ, EC, EE, EG,

(88) Date of publication of the international search report:  
9 April 2009

(54) Title: PLAYING CARDS SHUFFLING AND DEALING MACHINE

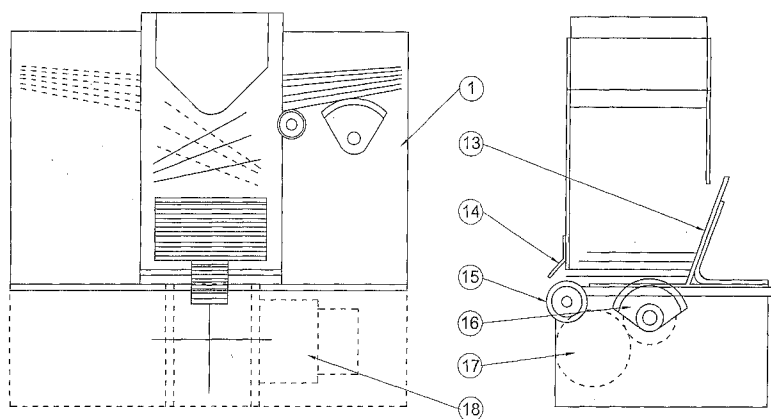


FIG. 2

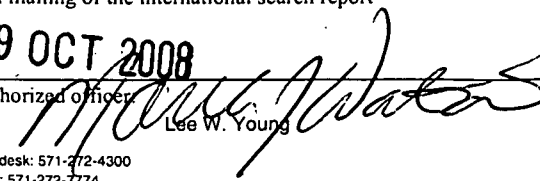
(57) Abstract: The invention presents a methodology and device for distribution of playing cards. Automatic operation without manual intervention is its main theme. This eliminates the likely manipulations, monotony, errors associated with manual handling of playing cards. The device has provision of conventional automatic shuffling prior to distributing. Playing cards shuffled in more elaborate manner by other suitable devices also can be used on the invented device. There are many user friendly features of the invented device. These include compact size, portability, ease of operation and maintenance, adaptability to any card games. Optional operation of this device by a remote control enhances its utility. Standard playing cards of Bridge or Poker size can be used with this device. The invented device is said to be useful to group of players in homes, club houses, casinos and at out-doors.



WO 2008/062477 A3

# INTERNATIONAL SEARCH REPORT

International application No.  
PCT/IN 07/00515

<b>A. CLASSIFICATION OF SUBJECT MATTER</b> IPC(8) - A63F 1/12, A63F 1/14 (2008.04) USPC - 273/149R According to International Patent Classification (IPC) or to both national classification and IPC				
<b>B. FIELDS SEARCHED</b> Minimum documentation searched (classification system followed by classification symbols) IPC(8): A63F 1/12, A63F 1/14 (2008.04) USPC: 273/149R Documentation searched other than minimum documentation to the extent that such documents are included in the fields searched USPC 273/292, 309 (keyword limited ?search terms below) Electronic data base consulted during the international search (name of data base and, where practicable, search terms used) Electronic Databases Searched: PubWEST(USPT,PGPB,EPAB,JPAB); Google Patents, Google Search terms used: Cards, dealing sensor, motor, shuffling, automatic card shuffler, automatic card dealer, automatic shuffling, automatic dealing, roller, arm, trays, stopper, rotating arm, robot card dealer, automatic deal\$				
<b>C. DOCUMENTS CONSIDERED TO BE RELEVANT</b>				
Category*	Citation of document, with indication, where appropriate, of the relevant passages	Relevant to claim No.		
Y	US 2002/0063389 A1 (Breeding et al.) 30 May 2002 (30.05.2002) para [0022]; para [0033]; para [0038]; para [0093-0095]; para [0102]; para [0112]; para [0140]; para [0146-0147]; para [0157]	1-5		
Y	US 6,361,044 B1 (Block et al.) 26 March 2002 (26.03.2002) col 1, ln 40-46; col 2, ln 42-46; col 3, ln 7-9; col 5, ln 5-8 and 62-67; col 6, ln 63-col 7, ln 10	1-5		
Y	US 2,061,668 A (Nelson) 24 November 1936 (24.11.1936) col 3, ln 1-7	3-4		
<input type="checkbox"/> Further documents are listed in the continuation of Box C.				
<table style="width: 100%; border: none;"> <tr> <td style="width: 50%; border: none;">                     * Special categories of cited documents:                      "A" document defining the general state of the art which is not considered to be of particular relevance                      "E" earlier application or patent but published on or after the international filing date                      "L" document which may throw doubts on priority claim(s) or which is cited to establish the publication date of another citation or other special reason (as specified)                      "O" document referring to an oral disclosure, use, exhibition or other means                      "P" document published prior to the international filing date but later than the priority date claimed                 </td> <td style="width: 50%; border: none;">                     "T" later document published after the international filing date or priority date and not in conflict with the application but cited to understand the principle or theory underlying the invention                      "X" document of particular relevance; the claimed invention cannot be considered novel or cannot be considered to involve an inventive step when the document is taken alone                      "Y" document of particular relevance; the claimed invention cannot be considered to involve an inventive step when the document is combined with one or more other such documents, such combination being obvious to a person skilled in the art                      "&amp;" document member of the same patent family                 </td> </tr> </table>			* Special categories of cited documents: "A" document defining the general state of the art which is not considered to be of particular relevance "E" earlier application or patent but published on or after the international filing date "L" document which may throw doubts on priority claim(s) or which is cited to establish the publication date of another citation or other special reason (as specified) "O" document referring to an oral disclosure, use, exhibition or other means "P" document published prior to the international filing date but later than the priority date claimed	"T" later document published after the international filing date or priority date and not in conflict with the application but cited to understand the principle or theory underlying the invention "X" document of particular relevance; the claimed invention cannot be considered novel or cannot be considered to involve an inventive step when the document is taken alone "Y" document of particular relevance; the claimed invention cannot be considered to involve an inventive step when the document is combined with one or more other such documents, such combination being obvious to a person skilled in the art "&" document member of the same patent family
* Special categories of cited documents: "A" document defining the general state of the art which is not considered to be of particular relevance "E" earlier application or patent but published on or after the international filing date "L" document which may throw doubts on priority claim(s) or which is cited to establish the publication date of another citation or other special reason (as specified) "O" document referring to an oral disclosure, use, exhibition or other means "P" document published prior to the international filing date but later than the priority date claimed	"T" later document published after the international filing date or priority date and not in conflict with the application but cited to understand the principle or theory underlying the invention "X" document of particular relevance; the claimed invention cannot be considered novel or cannot be considered to involve an inventive step when the document is taken alone "Y" document of particular relevance; the claimed invention cannot be considered to involve an inventive step when the document is combined with one or more other such documents, such combination being obvious to a person skilled in the art "&" document member of the same patent family			
Date of the actual completion of the international search 12 October 2008 (12.10.2008)	Date of mailing of the international search report <b>29 OCT 2008</b>			
Name and mailing address of the ISA/US Mail Stop PCT, Attn: ISA/US, Commissioner for Patents P.O. Box 1450, Alexandria, Virginia 22313-1450 Facsimile No. 571-273-3201	Authorized officer:  Lee W. Young PCT Helpdesk: 571-272-4300 PCT OSP: 571-272-7774			

# INTERNATIONAL SEARCH REPORT

International application No.

PCT/IN 07/00515

## Box No. II Observations where certain claims were found unsearchable (Continuation of item 2 of first sheet)

This international search report has not been established in respect of certain claims under Article 17(2)(a) for the following reasons:

1.  Claims Nos.:  
because they relate to subject matter not required to be searched by this Authority, namely:
  
2.  Claims Nos.: 7  
because they relate to parts of the international application that do not comply with the prescribed requirements to such an extent that no meaningful international search can be carried out, specifically:  
Claim 7 is an omnibus claim not drafted in accordance with the first and second sentences of Rule 6.
  
3.  Claims Nos.: 6  
because they are dependent claims and are not drafted in accordance with the second and third sentences of Rule 6.4(a).

## Box No. III Observations where unity of invention is lacking (Continuation of item 3 of first sheet)

This International Searching Authority found multiple inventions in this international application, as follows:

1.  As all required additional search fees were timely paid by the applicant, this international search report covers all searchable claims.
2.  As all searchable claims could be searched without effort justifying additional fees, this Authority did not invite payment of additional fees.
3.  As only some of the required additional search fees were timely paid by the applicant, this international search report covers only those claims for which fees were paid, specifically claims Nos.:
  
4.  No required additional search fees were timely paid by the applicant. Consequently, this international search report is restricted to the invention first mentioned in the claims; it is covered by claims Nos.:

### Remark on Protest

- The additional search fees were accompanied by the applicant's protest and, where applicable, the payment of a protest fee.
- The additional search fees were accompanied by the applicant's protest but the applicable protest fee was not paid within the time limit specified in the invitation.
- No protest accompanied the payment of additional search fees.