



US00D738652S

(12) **United States Design Patent**
Baraldi et al.

(10) **Patent No.:** **US D738,652 S**

(45) **Date of Patent:** **** Sep. 15, 2015**

(54) **TABLE**

(71) Applicant: **QubicaAMF Worldwide, LLC**,
Mechanicsville, VA (US)

(72) Inventors: **Massimo Baraldi**, Bologna (IT);
Tommaso Parisi, Bologna (IT); **Gian**
Luca Ferrari, Anzola Dell'Emilia (IT)

(73) Assignee: **QUBICAAMF WORLDWIDE, LLC**,
Mechanicsville, VA (US)

(**) Term: **14 Years**

(21) Appl. No.: **29/478,744**

(22) Filed: **Jan. 8, 2014**

(51) **LOC (10) Cl.** **06-03**

(52) **U.S. Cl.**

USPC **D6/692**; D6/692.1; D6/690

(58) **Field of Classification Search**

USPC D6/690, 692, 692.1, 692.3, 692.6,
D6/677.1, 691.1

CPC A47B 7/00; A47B 2021/11; A47B 13/00;
A47B 13/02; A47B 13/04; A47B 13/10;
A47B 2200/0003

See application file for complete search history.

(56) **References Cited**

U.S. PATENT DOCUMENTS

D168,688 S * 1/1953 Johnson et al. D6/485
3,303,797 A * 2/1967 Mueller 108/63
3,971,327 A * 7/1976 Critchett 108/60
D263,774 S * 4/1982 Deconinck D6/692.1
D323,087 S * 1/1992 Burgos D6/696.5

D335,055 S * 4/1993 Game D6/691.1
D527,551 S * 9/2006 Berry et al. D6/687
D552,893 S * 10/2007 Everson D6/692.6
D554,394 S * 11/2007 Jaramillo D6/692.1
8,997,661 B1 * 4/2015 Kilday 108/90

* cited by examiner

Primary Examiner — Janice Seeger

(74) *Attorney, Agent, or Firm* — Andrew M. Calderon;
Roberts Mlotkowski Safran & Cole, P.C.

(57) **CLAIM**

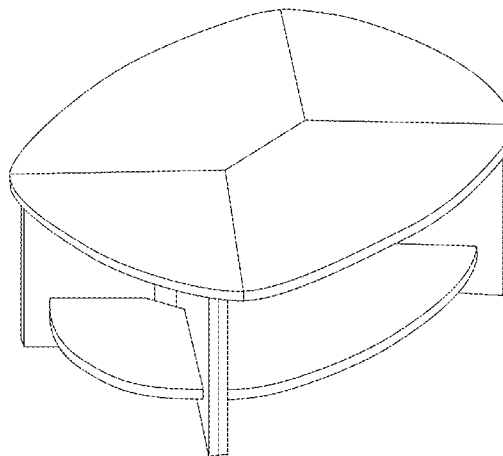
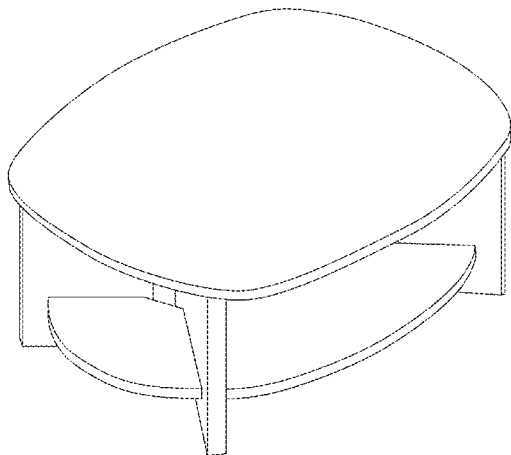
We claim the ornamental design for a table, as shown and described.

DESCRIPTION

FIG. 1 is a front or back view of a table;
FIG. 2 is a side view of the table;
FIG. 3 is a top view of the table;
FIG. 4 is a bottom view of the table;
FIG. 5 is a perspective view of the table;
FIG. 6 is a front or back view of a second embodiment of the table;
FIG. 7 is a side view of the second embodiment of the table;
FIG. 8 is a top view of the second embodiment of the table;
FIG. 9 is a bottom view of the second embodiment of the table; and,
FIG. 10 is a perspective view of the second embodiment of the table.

Applicant notes that the table as shown in FIGS. 2 and 7 can be representative of a left or right side view of the table. Any surfaces of the design not shown, including interior surfaces, form no part of the claimed invention.

1 Claim, 10 Drawing Sheets



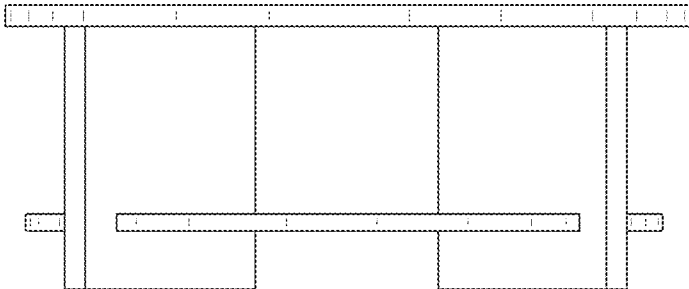


FIG. 1

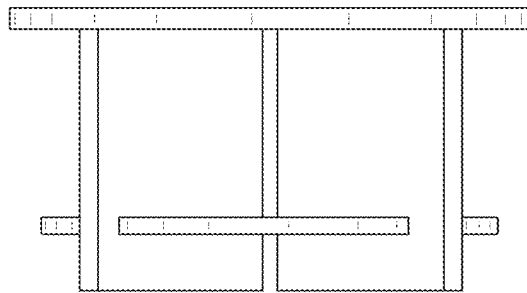


FIG. 2

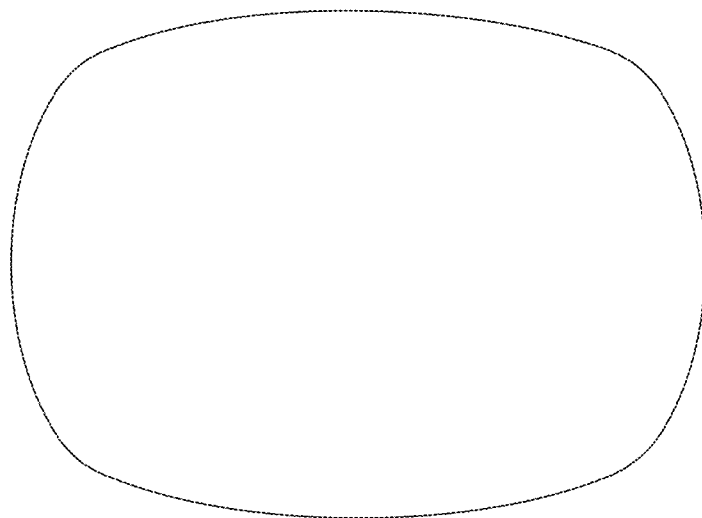


FIG. 3

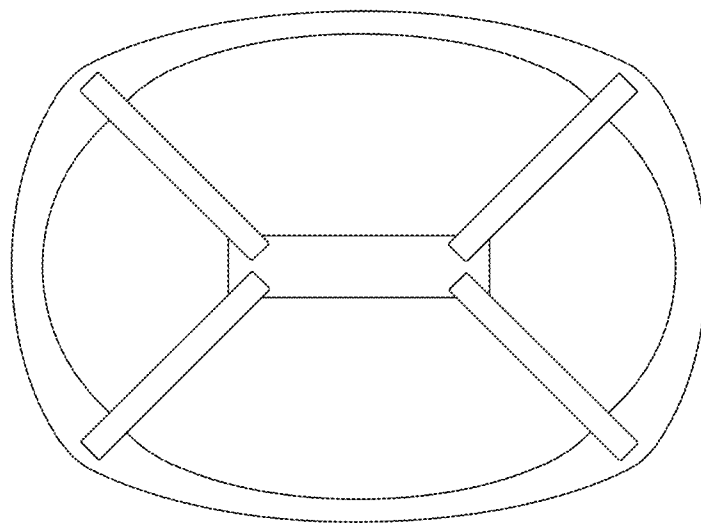


FIG. 4

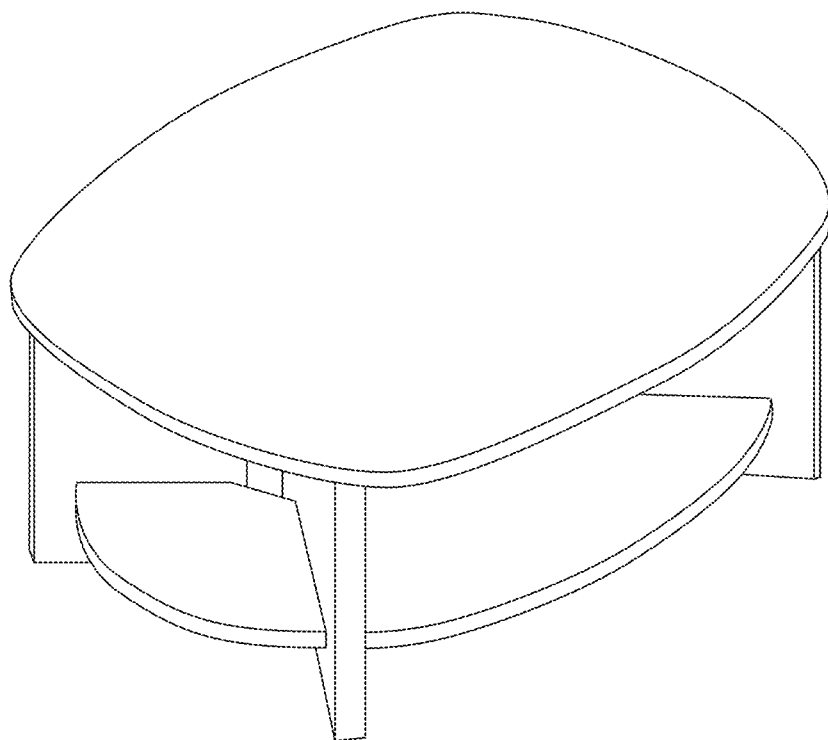


FIG. 5

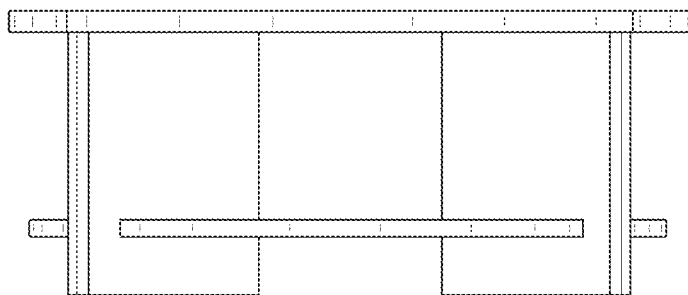


FIG. 6

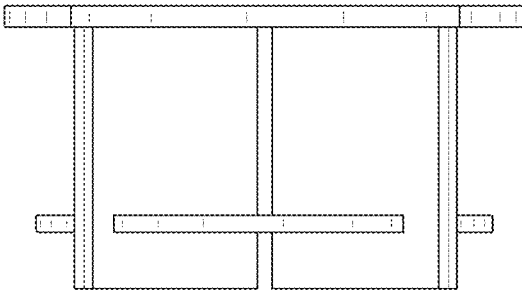


FIG. 7

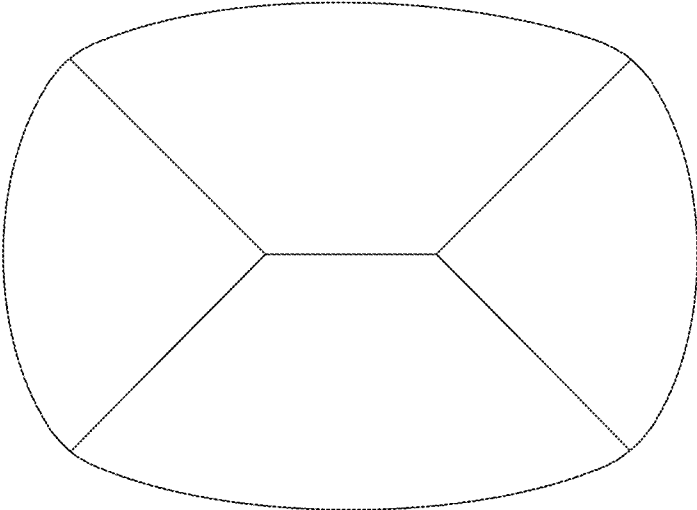


FIG. 8

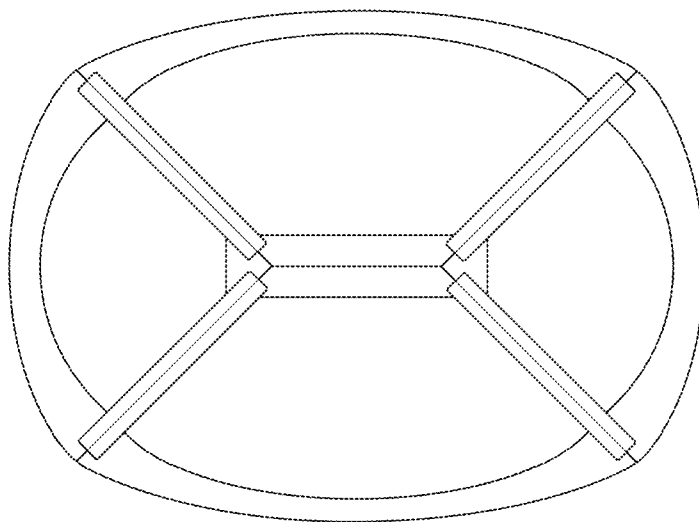


FIG. 9

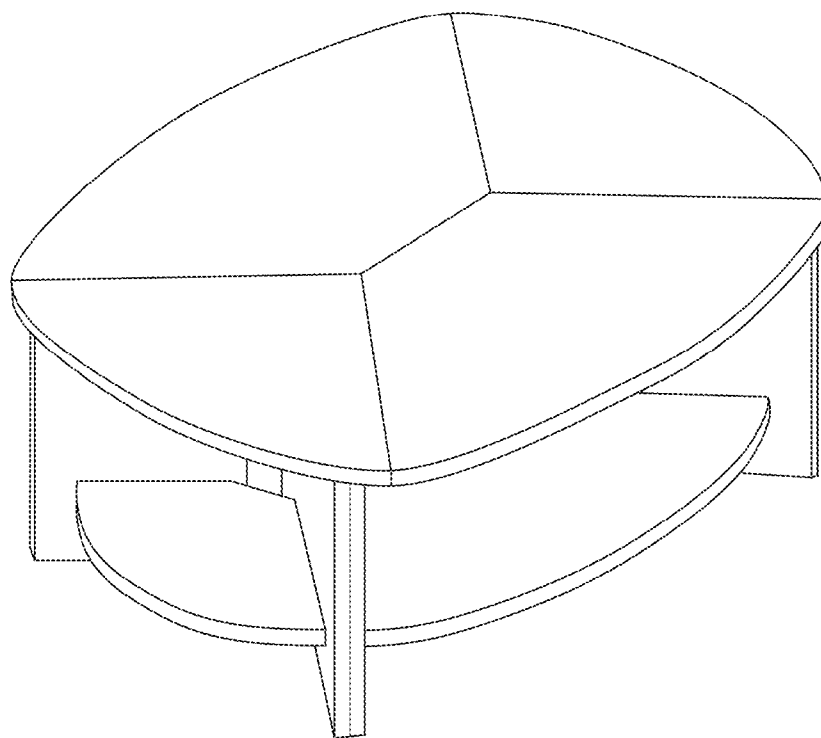


FIG. 10