

(19) World Intellectual Property Organization
International Bureau



(43) International Publication Date
18 November 2004 (18.11.2004)

PCT

(10) International Publication Number
WO 2004/098389 A3

(51) International Patent Classification⁷: A61B 5/05

(21) International Application Number:
PCT/US2004/013720

(22) International Filing Date: 3 May 2004 (03.05.2004)

(25) Filing Language: English

(26) Publication Language: English

(30) Priority Data:
60/467,456 2 May 2003 (02.05.2003) US
60/497,300 22 August 2003 (22.08.2003) US

(63) Related by continuation (CON) or continuation-in-part (CIP) to earlier application:
US 60/497,300 (CON)
Filed on 22 August 2003 (22.08.2003)

(71) Applicant (for all designated States except US): **JOHNS HOPKINS UNIVERSITY** [US/US]; 3400 N. Charles Street, Baltimore, MD 21218 (US).

(72) Inventors; and

(75) Inventors/Applicants (for US only): **GUREWITSCH, Edith, D., M.D.** [US/US]; 3210 Fallstaff Road, Baltimore, MD 21215 (US). **RUFFNER, Melanie** [US/US]; 4565 Nature Trail Drive, Allison Park, PA 15101 (US).

CHING, Kenny, Hwee, Seong [SG/SG]; Blk 22 St. George's Road, 20-180 S (321022), 6880 Singapore (SG). **SAMPATTAVANICH, Somponnat** [TH/US]; 1906 23rd Street, Northwest, OEA, Washington, D.C. 20008 (US). **SHAAHINFAR, Ashkon** [US/US]; 482 Millstone Ct., Woodbridge, CA 95258 (US). **HOE, Yen, Shi, Gillian** [SG/SG]; Blk 349, #04-07, Cklementi Avenue 2, 120349 Singapore (SG). **HU, Elbert, ShangNung** [US/US]; 19112 N.E. 64 Way, Redmond, WA 98052 (US).

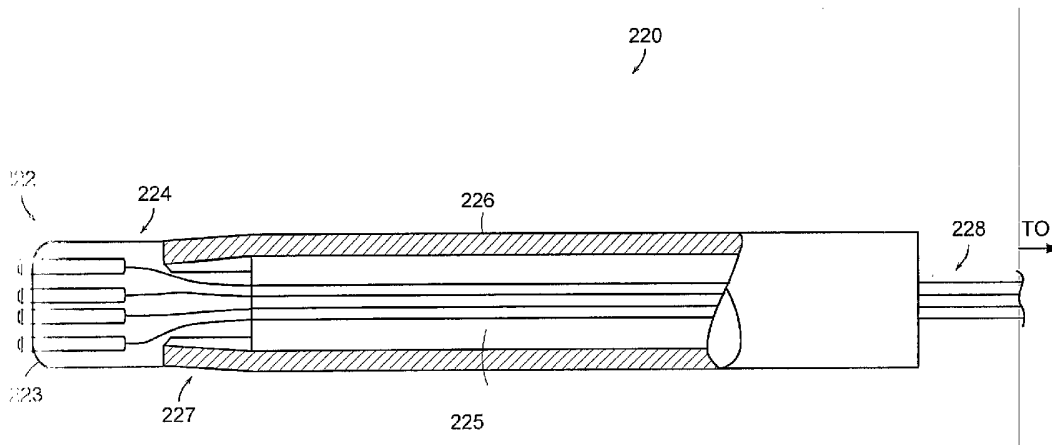
(74) Agents: **DALEY, William, J.** et al.; Edwards & Angell, L.L.P., 101 Federal Street P.O. Box 55874, Boston, MA 02205-5874 (US).

(81) Designated States (unless otherwise indicated, for every kind of national protection available): AE, AG, AL, AM, AT, AU, AZ, BA, BB, BG, BR, BW, BY, BZ, CA, CH, CN, CO, CR, CU, CZ, DE, DK, DM, DZ, EC, EE, EG, ES, FI, GB, GD, GE, GH, GM, HR, HU, ID, IL, IN, IS, JP, KE, KG, KP, KR, KZ, LC, LK, LR, LS, LT, LU, LV, MA, MD, MG, MK, MN, MW, MX, MZ, NA, NI, NO, NZ, OM, PG, PH, PL, PT, RO, RU, SC, SD, SE, SG, SK, SL, SY, TJ, TM, TN, TR, TT, TZ, UA, UG, US (patent), UZ, VC, VN, YU, ZA, ZM, ZW.

(84) Designated States (unless otherwise indicated, for every kind of regional protection available): ARIPO (BW, GH, GM, KE, LS, MW, MZ, NA, SD, SL, SZ, TZ, UG, ZM, ZW), Eurasian (AM, AZ, BY, KG, KZ, MD, RU, TJ, TM), European (AT, BE, BG, CH, CY, CZ, DE, DK, EE, ES, FI,

[Continued on next page]

(54) Title: DEVICES, SYSTEMS AND METHODS FOR BIOIMPEDENCE MEASUREMENT OF CERVICAL TISSUE AND METHODS FOR DIAGNOSIS AND TREATMENT OF HUMAN CERVIX



(57) Abstract: Featured are apparatuses (220) for measuring bioimpedence of tissues of the cervix, more specifically the mammalian cervix. Also featured are methods for examining the tissues of the cervix for clinical or diagnostic purposes such as during routine gynecological examinations to determine early onset of labor in pregnant patients or to assess such tissues for the presence of abnormalities such as cancerous lesions in both pregnant and non-pregnant women. Also featured are methods for treating onset of early or pre-term labor that embody such devices, apparatuses (220) and/or methods, where such systems preferably are configured to provide diagnostic and/or clinical information to further assist the diagnostician or clinician in diagnosing and/or examining pregnant or non-pregnant patients.

WO 2004/098389 A3



FR, GB, GR, HU, IE, IT, LU, MC, NL, PL, PT, RO, SE, SI,
SK, TR), OAPI (BF, BJ, CF, CG, CI, CM, GA, GN, GQ,
GW, ML, MR, NE, SN, TD, TG).

(88) **Date of publication of the international search report:**
24 March 2005

Published:

- *with international search report*
- *before the expiration of the time limit for amending the claims and to be republished in the event of receipt of amendments*

For two-letter codes and other abbreviations, refer to the "Guidance Notes on Codes and Abbreviations" appearing at the beginning of each regular issue of the PCT Gazette.

INTERNATIONAL SEARCH REPORT

International application No. PCT/US04/13720

A. CLASSIFICATION OF SUBJECT MATTER
 IPC(7) : A61B 5/05
 US CL : 600/547
 According to International Patent Classification (IPC) or to both national classification and IPC

B. FIELDS SEARCHED
 Minimum documentation searched (classification system followed by classification symbols)
 U.S. : Please See Continuation Sheet

Documentation searched other than minimum documentation to the extent that such documents are included in the fields searched

Electronic data base consulted during the international search (name of data base and, where practicable, search terms used)

C. DOCUMENTS CONSIDERED TO BE RELEVANT

Category *	Citation of document, with indication, where appropriate, of the relevant passages	Relevant to claim No.
X --- Y	US 5,068,619 A (Nakano et al.) 26 November 1991 (26.11.1991), Figure 3, column 4, lines 23 - 25.	47,48 and 50 ----- 36 - 38
X --- Y	US 6,169,914 B1 (Hovland et al.) 2 January 2001 (02.01.2001), column 13, line 37 - column 14, line 67.	51,52,56, 60 and 61 ----- 7-9,40 and 41
A	WO 01/67098 A1 (BTG International Limited) 13 September 2001 (13.09.2001), entire document	1-64
X --- Y	US 2003/0060696 A1 (Skladnev et al.) 27 March 2003 (27.03.2003), [0036]-[0093].	1-4,10,33,34,35 and 62 ----- 7-9,36-38,40 and 41

Further documents are listed in the continuation of Box C. See patent family annex.

* Special categories of cited documents: "A" document defining the general state of the art which is not considered to be of particular relevance "E" earlier application or patent published on or after the international filing date "L" document which may throw doubts on priority claim(s) or which is cited to establish the publication date of another citation or other special reason (as specified) "O" document referring to an oral disclosure, use, exhibition or other means "P" document published prior to the international filing date but later than the priority date claimed	"T" later document published after the international filing date or priority date and not in conflict with the application but cited to understand the principle or theory underlying the invention "X" document of particular relevance; the claimed invention cannot be considered novel or cannot be considered to involve an inventive step when the document is taken alone "Y" document of particular relevance; the claimed invention cannot be considered to involve an inventive step when the document is combined with one or more other such documents, such combination being obvious to a person skilled in the art "&" document member of the same patent family
--	--

Date of the actual completion of the international search 26 November 2004 (26.11.2004)	Date of mailing of the international search report <div style="text-align: center; font-size: 1.2em; font-weight: bold;">11 FEB 2005</div>
Name and mailing address of the ISA/US Mail Stop PCT, Attn: ISA/US Commissioner for Patents P.O. Box 1450 Alexandria, Virginia 22313-1450 Facsimile No. (703) 305-3230	Authorized officer <div style="text-align: right;"> Sheila H. Veney Paralegal Specialist Tech. Center 3700 </div> Max Hindenburg Telephone No. (703) 308-0858

INTERNATIONAL SEARCH REPORT

International application No.

PCT/US04/13720

Continuation of B. FIELDS SEARCHED Item 1:

600/304, 372, 373, 376, 393, 547, 551, 591;

607/138