



US00D843470S

(12) **United States Design Patent**
Castro et al.

(10) **Patent No.:** **US D843,470 S**
(45) **Date of Patent:** **** Mar. 19, 2019**

- (54) **GAMING TERMINAL**
- (71) Applicant: **Bally Gaming, Inc.**, Las Vegas, NV (US)
- (72) Inventors: **Christian L. Castro**, Chicago, IL (US);
Paul M. Lesley, Blue Island, IL (US)
- (73) Assignee: **BALLY GAMING, INC.**, Las Vegas, NV (US)
- (**) Term: **15 Years**
- (21) Appl. No.: **29/595,714**
- (22) Filed: **Mar. 1, 2017**
- (51) **LOC (11) Cl.** **21-03**
- (52) **U.S. Cl.**
USPC **D21/369**
- (58) **Field of Classification Search**
USPC D21/369, 370, 371, 385, 329, 325, 394;
D14/307, 172, 129, 325, 401, 371, 126,
D14/439, 432, 450, 128, 375, 248, 374,
D14/341, 138 G, 127; 463/28, 13, 11,
463/16, 20, 25, 31, 46, 23, 30, 17, 36, 29,
463/42, 34, 32, 35, 19, 21, 22; 273/292,
273/203, 138.2, 143 R, 142 R, 138.1;
D19/60; D16/226; D8/335, 331, 334;
D26/141; D7/641
CPC G07F 17/32; G07F 17/34; G07F 17/3211;
G07F 17/3244; G07F 17/3267
See application file for complete search history.

- D450,094 S 11/2001 Hedrick et al.
- D450,096 S 11/2001 Legras et al.
- D450,310 S 11/2001 Hedrick et al.
- D450,353 S 11/2001 LeSourd et al.
- D450,780 S 11/2001 Holtz et al.
- D451,148 S 11/2001 Hedrick et al.
- D451,153 S 11/2001 Hedrick et al.
- D452,535 S 12/2001 Johnson et al.
- D454,921 S 3/2002 Legras et al.
- D456,046 S 4/2002 Hedrick et al.
- D456,457 S 4/2002 Hedrick et al.
- D456,855 S 5/2002 Hedrick et al.
- D458,971 S 6/2002 Stephan
- D459,402 S 6/2002 Wurz et al.
- D459,759 S 7/2002 Shepherd et al.
- D462,397 S 9/2002 Baker et al.
- D463,503 S 9/2002 Stephan
- D463,504 S 9/2002 Stephan
- D464,377 S 10/2002 Wurz et al.
- D465,813 S 11/2002 Randall
- D486,869 S 2/2004 Webb et al.
- D487,582 S 3/2004 McGahn et al.
- D490,478 S 5/2004 McGahn et al.

(Continued)

Primary Examiner — Ryan Harvey
(74) *Attorney, Agent, or Firm* — Banner & Witcoff, Ltd.

(57) **CLAIM**

The ornamental design for a gaming terminal, as shown and described.

DESCRIPTION

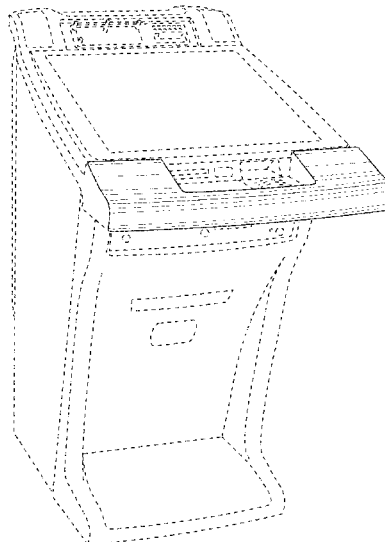
FIG. 1 is a front perspective view of a gaming terminal showing our new design;
FIG. 2 is a front view thereof;
FIG. 3 is a left side view thereof;
FIG. 4 is a right side view thereof; and,
FIG. 5 is a top view thereof.
The broken line showing of the remainder of the gaming terminal illustrates environmental structure and forms no part of the claimed design.

1 Claim, 5 Drawing Sheets

(56) **References Cited**

U.S. PATENT DOCUMENTS

- D284,592 S 7/1986 Drews et al.
- D351,869 S 10/1994 Rothschild et al.
- D406,612 S * 3/1999 Johnson D21/327
- D406,865 S 3/1999 Heidel
- D446,252 S 8/2001 Yamaguchi



(56)

References Cited

U.S. PATENT DOCUMENTS

D492,734 S	7/2004	Karstens	D595,784 S	7/2009	Wells et al.	
D494,636 S	8/2004	Chudd et al.	D595,785 S	7/2009	Wells et al.	
D494,637 S	8/2004	Chudd	D596,678 S	* 7/2009	Myers	D21/370
D494,638 S	8/2004	Chudd et al.	D597,144 S	7/2009	Myers	
D495,754 S	9/2004	Wurz et al.	D599,858 S	9/2009	Lesley et al.	
D495,755 S	9/2004	Wurz et al.	D599,859 S	9/2009	Lesley et al.	
D496,407 S	9/2004	Gadda et al.	D599,860 S	9/2009	Lesley et al.	
D496,968 S	10/2004	Baerlocher	D601,637 S	10/2009	Myers et al.	
D497,188 S	10/2004	Mahaffey	D602,995 S	10/2009	Takeuchi	
D498,268 S	11/2004	Kaminkow et al.	D602,996 S	10/2009	Takeuchi	
D498,504 S	11/2004	Karstens	D603,459 S	11/2009	Tsuchida et al.	
D498,796 S	11/2004	Karstens	D603,460 S	11/2009	Taniguchi	
D498,797 S	11/2004	Karstens	D604,368 S	11/2009	Lesley et al.	
D502,243 S	2/2005	King	D611,996 S	3/2010	Shimizu et al.	
D503,450 S	3/2005	King	D613,802 S	* 4/2010	Meyers	D21/370
D503,751 S	4/2005	Kaminkow et al.	D616,042 S	5/2010	Shimizu et al.	
D503,951 S	4/2005	Karstens	D617,388 S	6/2010	Wildner et al.	
D504,161 S	4/2005	Chudd et al.	D617,389 S	6/2010	Wildner et al.	
D504,473 S	4/2005	Baerlocher	D622,780 S	8/2010	Lesley et al.	
D508,268 S	8/2005	Hanchar et al.	D622,781 S	8/2010	Lesley et al.	
D508,270 S	8/2005	McGahn et al.	D622,782 S	* 8/2010	Chudek	D21/385
D509,254 S	9/2005	Rasmussen et al.	D624,604 S	9/2010	Wudtke	
D510,752 S	10/2005	Baerlocher	D625,368 S	10/2010	Nelson et al.	
D511,549 S	11/2005	Kaminkow et al.	D642,224 S	7/2011	Taniguchi	
D512,105 S	11/2005	Chitrapongse et al.	D646,336 S	10/2011	Kelly et al.	
D512,464 S	12/2005	Karstens	D646,337 S	10/2011	Kelly et al.	
D512,465 S	12/2005	Karstens	D673,620 S	* 1/2013	Johnson	D21/369
D514,168 S	1/2006	Kaminkow et al.	D673,622 S	1/2013	Wudtke	
D514,170 S	1/2006	Kaminkow et al.	D678,955 S	3/2013	Lesley et al.	
D519,571 S	4/2006	Myers	D678,956 S	3/2013	Lesley et al.	
D519,572 S	4/2006	Myers	D678,957 S	3/2013	Cesaroni et al.	
D519,573 S	4/2006	Myers	D678,958 S	3/2013	Cesaroni et al.	
D519,574 S	4/2006	Myers	D681,130 S	4/2013	Lesley et al.	
D519,575 S	4/2006	Myers	D682,948 S	5/2013	Cesaroni et al.	
D519,576 S	4/2006	Wagg	D685,033 S	6/2013	Wudtke	
D520,074 S	5/2006	Myers	D685,435 S	* 7/2013	Hohman	D21/370
D520,075 S	5/2006	Wagg	D691,665 S	10/2013	Chudek	
D520,076 S	5/2006	McGahn et al.	D691,666 S	10/2013	Lesley et al.	
D521,077 S	5/2006	Myers	D697,558 S	* 1/2014	Myers	D21/325
D521,078 S	5/2006	McGahn et al.	D704,273 S	5/2014	Chudek	
D522,589 S	6/2006	Myers	D704,274 S	5/2014	Ono	
D523,908 S	6/2006	Hedrick et al.	D704,275 S	5/2014	Lesley et al.	
D525,316 S	7/2006	De Palma	D705,363 S	5/2014	Inoue et al.	
D529,965 S	10/2006	Hedrick et al.	D706,359 S	6/2014	Wudtke	
D532,831 S	11/2006	Baerlocher et al.	D706,741 S	* 6/2014	Myers	D14/172
D537,127 S	2/2007	Kaminkow et al.	D707,301 S	6/2014	Inoue et al.	
D537,885 S	3/2007	Gadda et al.	D707,302 S	6/2014	Inoue et al.	
D539,854 S	4/2007	Luciano et al.	D712,975 S	9/2014	Lesley et al.	
D540,398 S	4/2007	Gadda et al.	D714,392 S	9/2014	Arabian	
D540,399 S	4/2007	Gadda et al.	D714,875 S	10/2014	Wudtke et al.	
D548,288 S	8/2007	Baerlocher et al.	D715,364 S	10/2014	Wudtke et al.	
D548,800 S	8/2007	Kaminkow et al.	D719,615 S	12/2014	Inoue et al.	
D549,785 S	8/2007	Luciano, Jr. et al.	D719,616 S	12/2014	Inoue et al.	
D550,301 S	9/2007	Luciano, Jr. et al.	D719,617 S	12/2014	Inoue	
D560,255 S	1/2008	Luciano, Jr. et al.	D723,626 S	3/2015	Vasquez et al.	
D560,724 S	1/2008	Johnson	D729,321 S	5/2015	Arabian	
D560,725 S	1/2008	Johnson	D740,888 S	* 10/2015	DePalma	D21/370
D562,912 S	2/2008	Myers et al.	D742,974 S	11/2015	Lesley et al.	
D564,600 S	3/2008	Greenberg et al.	D742,975 S	* 11/2015	Myers	D21/370
D564,601 S	3/2008	Strahinic et al.	D763,361 S	8/2016	Rosander et al.	
D566,197 S	4/2008	Greenberg et al.	RE46,169 E	10/2016	Kelly et al.	
D572,314 S	7/2008	Vallejo et al.	9,741,200 B2	* 8/2017	Lesley	G07F 17/3211
D577,077 S	9/2008	Mitchell et al.	D808,354 S	* 1/2018	Castro	D14/127
D577,078 S	9/2008	Shimizu et al.	D808,467 S	* 1/2018	Huang	D21/369
D579,500 S	10/2008	Luciano, Jr. et al.	D812,149 S	* 3/2018	Castro	D21/369
RE40,625 E	1/2009	Wurz et al.	2010/0124962 A1	* 5/2010	Chudek	G07F 17/32 463/13
RE40,671 E	3/2009	Wurz et al.	2016/0364946 A1	* 12/2016	Castro	G07F 17/3216
D595,783 S	7/2009	Anderson	2017/0039803 A1	* 2/2017	Lesley	G07F 17/3216

* cited by examiner

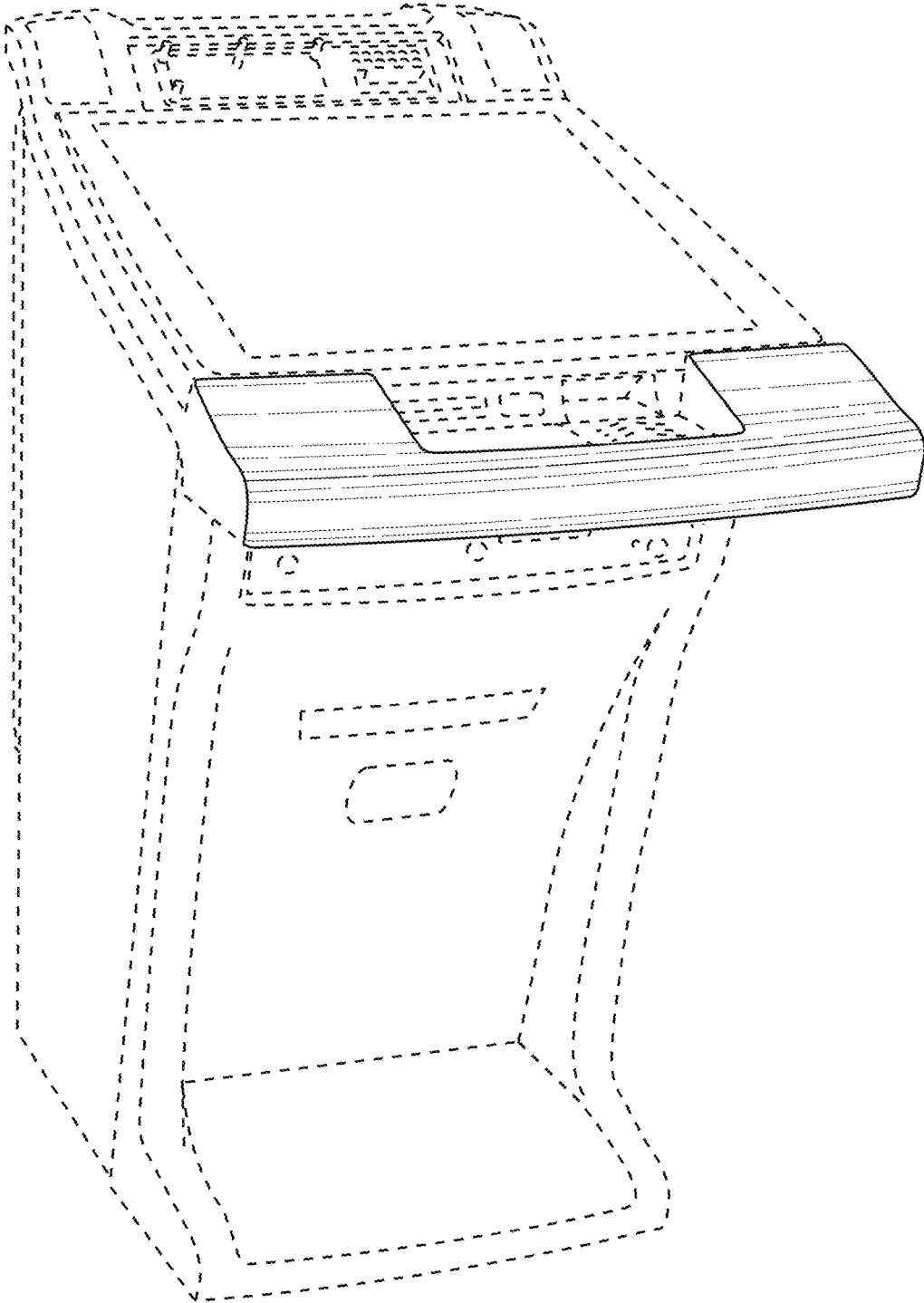


FIG. 1

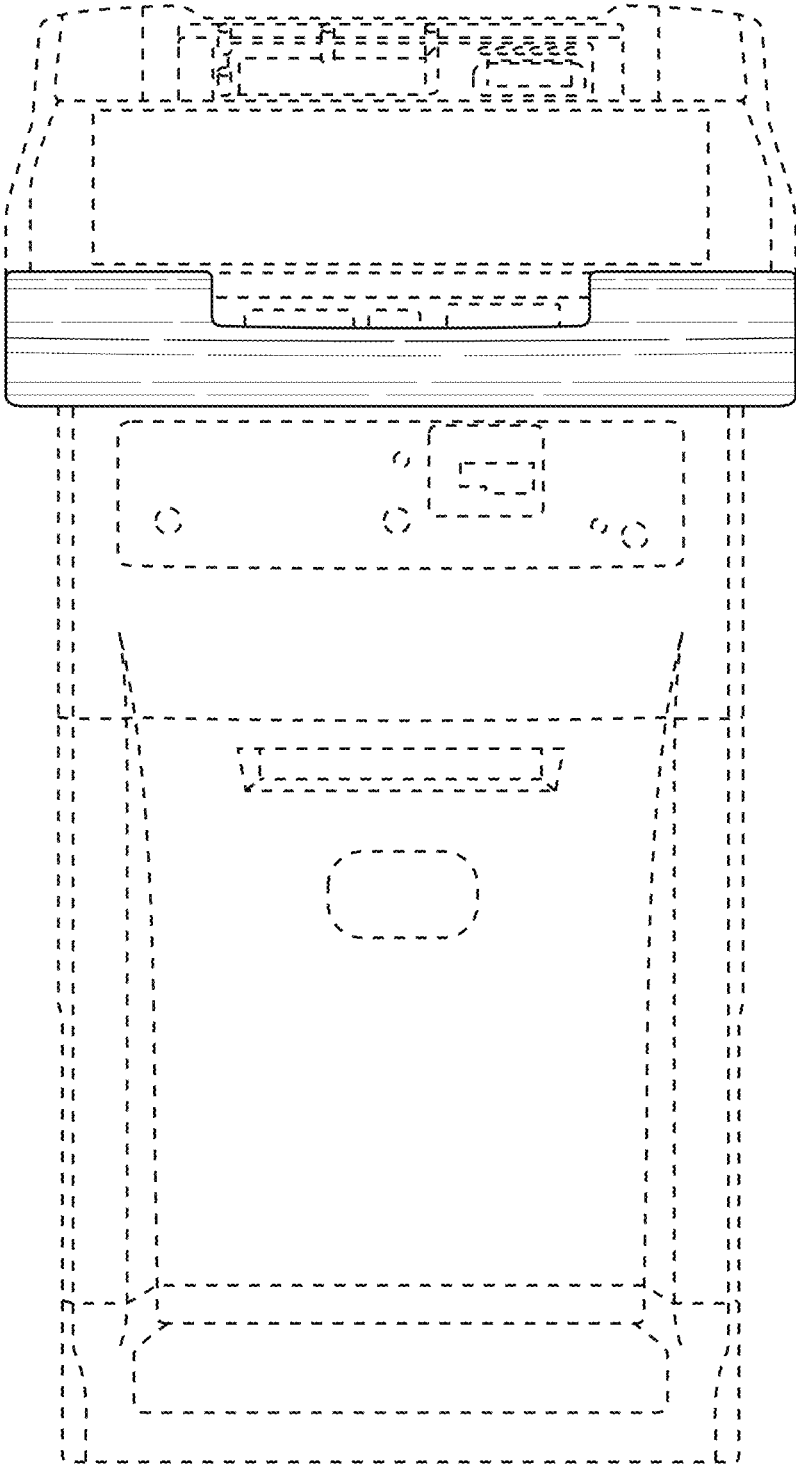


FIG. 2

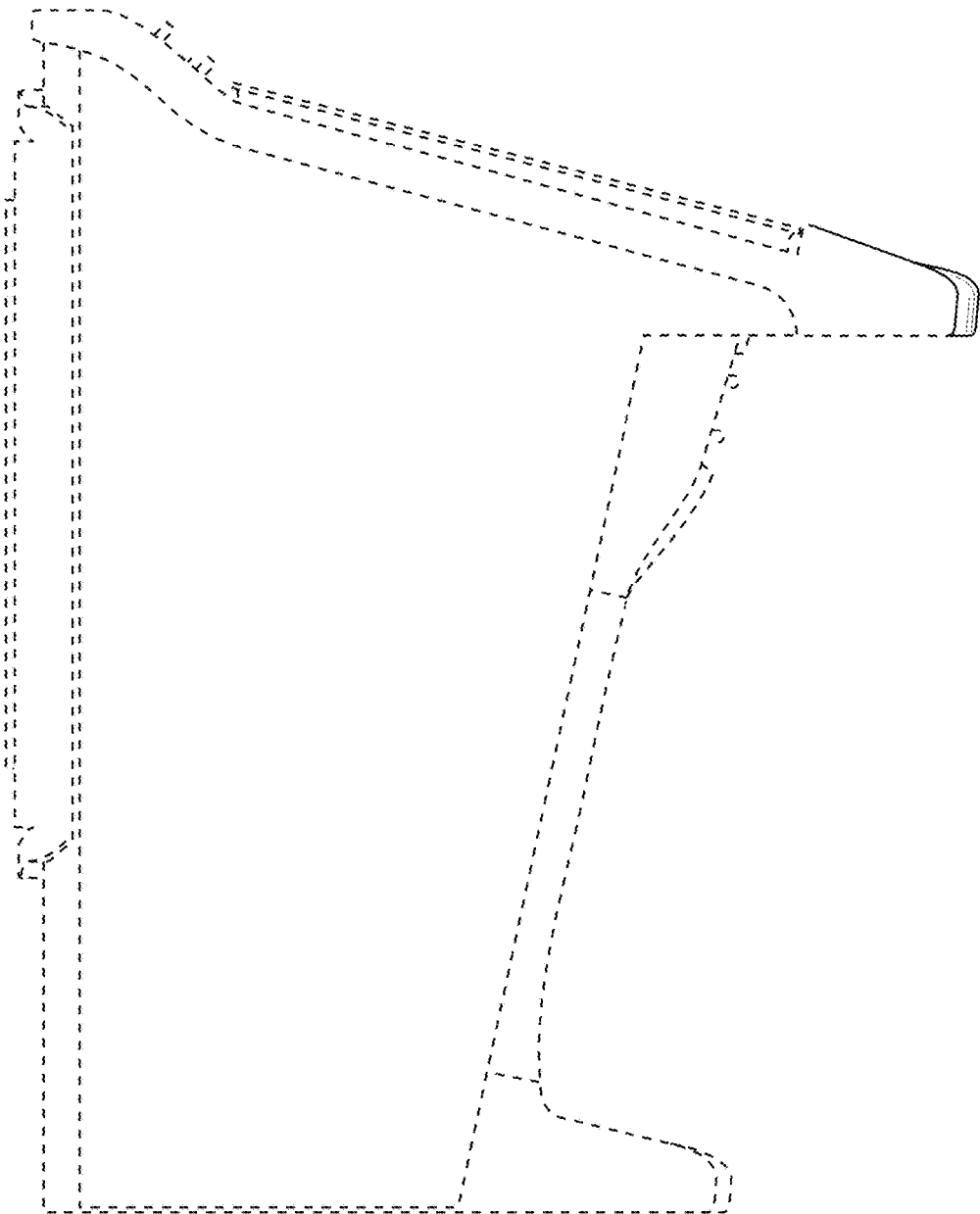


FIG. 3

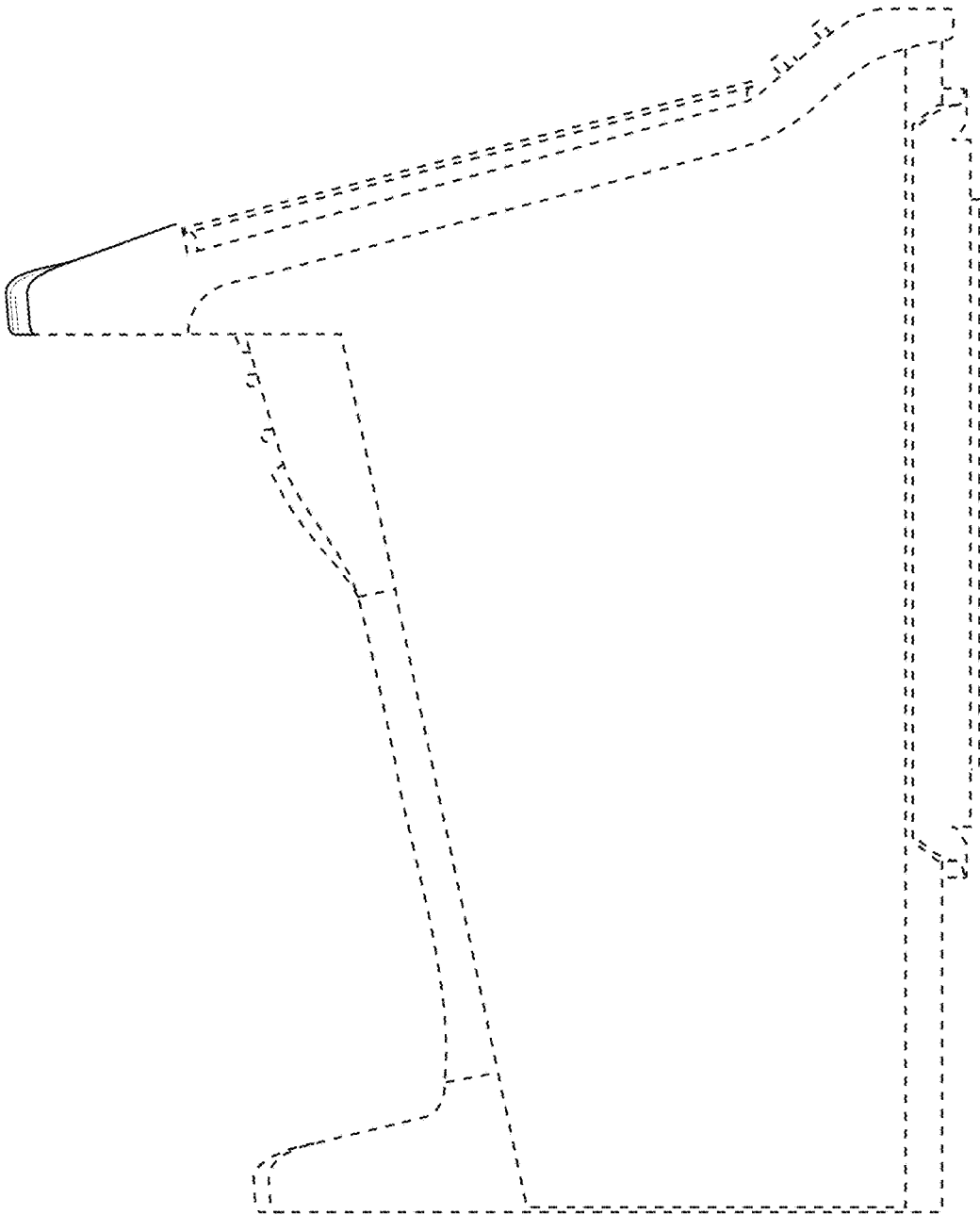


FIG. 4

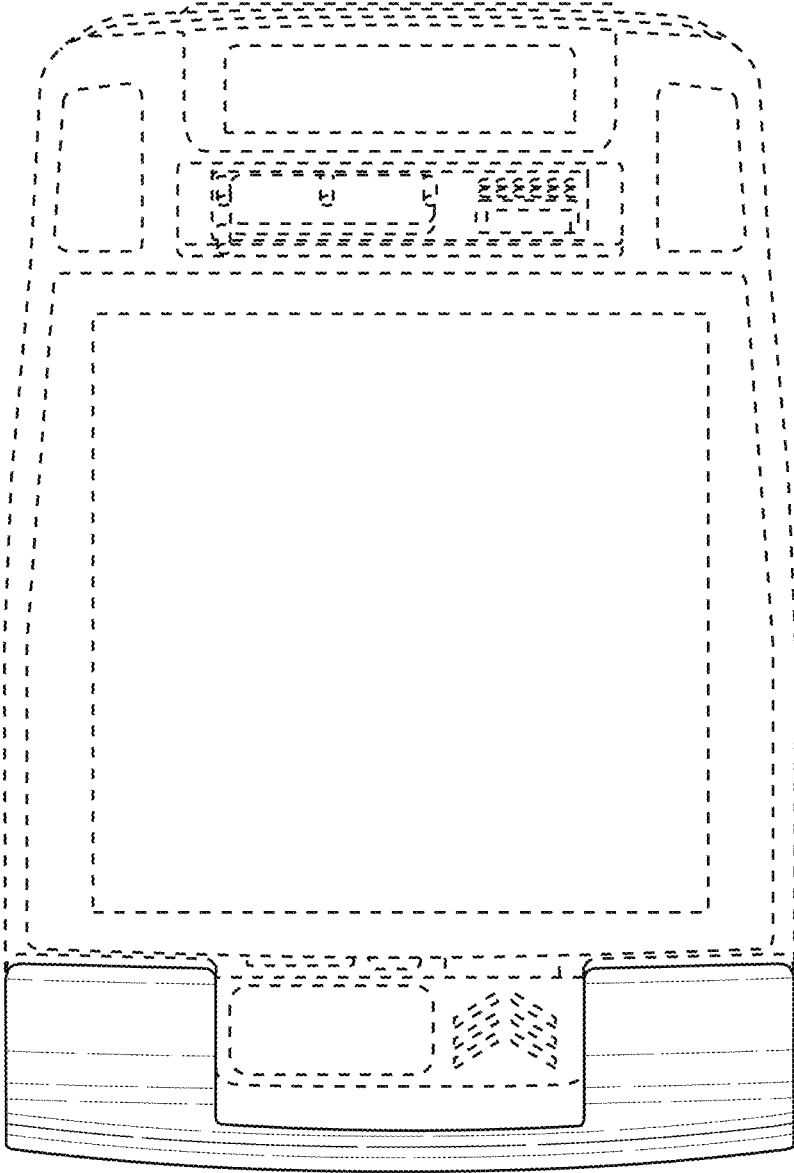


FIG. 5