



US00D878930S

(12) **United States Design Patent**  
**Nacdimen et al.**

(10) **Patent No.:** **US D878,930 S**

(45) **Date of Patent:** **\*\* Mar. 24, 2020**

(54) **APPLICATOR**

(71) Applicant: **The Procter & Gamble Company**,  
Cincinnati, OH (US)

(72) Inventors: **Hali Michelle Nacdimen**, Cincinnati,  
OH (US); **Samatha Chen-Yee Wang**,  
Cincinnati, OH (US); **Andrew Peter  
Heidel**, Cincinnati, OH (US); **Adrienne  
Michelle Szmuriga-Winfield**,  
Loveland, OH (US); **Jessica Elizabeth  
Leon**, Bellevue, KY (US)

(73) Assignee: **The Procter & Gamble Company**,  
Cincinnati, OH (US)

(\*\*) Term: **15 Years**

(21) Appl. No.: **29/675,815**

(22) Filed: **Jan. 4, 2019**

(51) **LOC (12) Cl.** ..... **09-01**

(52) **U.S. Cl.**  
USPC ..... **D9/723**

(58) **Field of Classification Search**  
USPC ..... D9/549, 551, 558, 559, 723, 724, 726;  
D7/300, 312; D24/197  
CPC ..... B05B 11/3059; B05B 11/0027; B05B  
11/0032; B05B 11/3004; B05B 11/3015;  
B05B 11/306; B05B 11/3064  
See application file for complete search history.

(56) **References Cited**

**U.S. PATENT DOCUMENTS**

D51,136 S \* 8/1917 Clausen ..... D9/545  
D190,399 S \* 5/1961 Agin ..... D9/558  
D329,383 S \* 9/1992 Boucheron ..... D9/529  
D345,918 S \* 4/1994 Chevassus ..... D28/76

D423,363 S \* 4/2000 Loughnane ..... D9/529  
D465,152 S \* 11/2002 Kaufman ..... D9/529  
D552,230 S \* 10/2007 Collins ..... D24/110  
D559,705 S \* 1/2008 Sparks ..... D9/723  
D562,152 S \* 2/2008 Beam ..... D9/723  
D623,066 S \* 9/2010 Mongeon ..... D9/529  
2007/0045354 A1\* 3/2007 Boyd ..... A61F 9/00  
222/420  
2015/0100002 A1\* 4/2015 Choi ..... A61N 7/00  
601/2  
2018/0317628 A1\* 11/2018 Villarreal ..... A45D 34/04  
2019/0289981 A1\* 9/2019 Johnson ..... A45D 33/34

\* cited by examiner

*Primary Examiner* — Lauren R Calve

(74) *Attorney, Agent, or Firm* — Melissa G. Krasovec

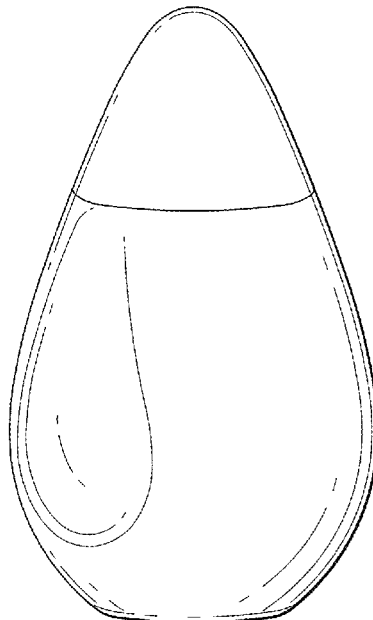
(57) **CLAIM**

The ornamental design for an applicator, as shown and described.

**DESCRIPTION**

FIG. 1 is a side perspective view of a first embodiment of an applicator;  
FIG. 2 is a bottom perspective view of the first embodiment;  
FIG. 3 is a front view of the first embodiment.  
FIG. 4 is a side view of the first embodiment;  
FIG. 5 is a top view of the first embodiment;  
FIG. 6 is a bottom view of the first embodiment;  
FIG. 7 is a side perspective view of a second embodiment of the applicator;  
FIG. 8 is a bottom perspective view of the second embodiment;  
FIG. 9 is a front view of the second embodiment.  
FIG. 10 is a side view of the second embodiment;  
FIG. 11 is a top view of the second embodiment; and,  
FIG. 12 is a bottom view of the second embodiment.

**1 Claim, 4 Drawing Sheets**



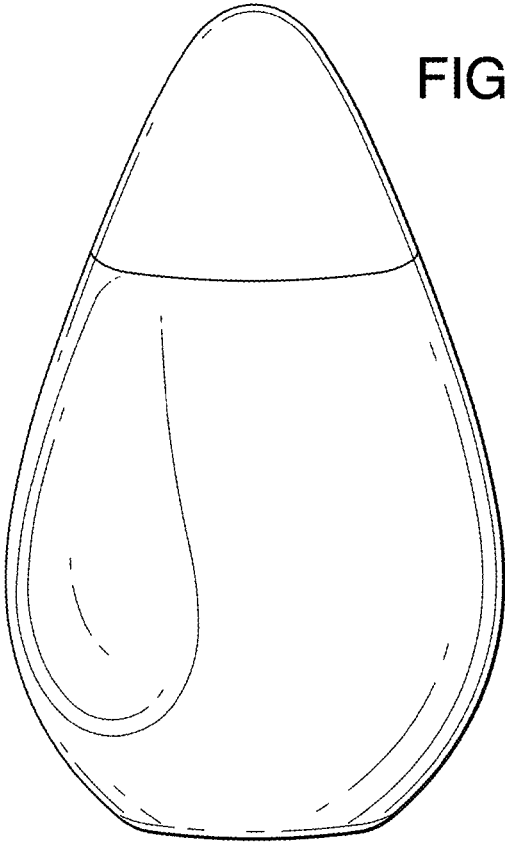


FIG. 1

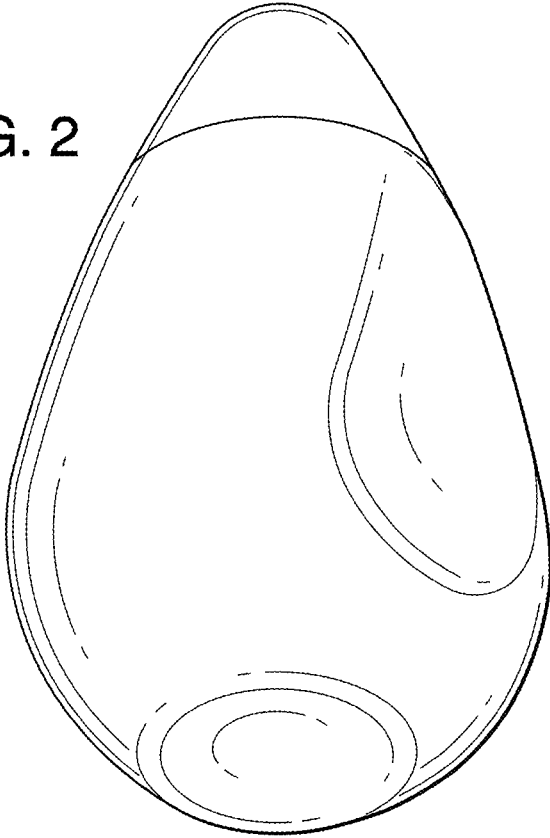


FIG. 2

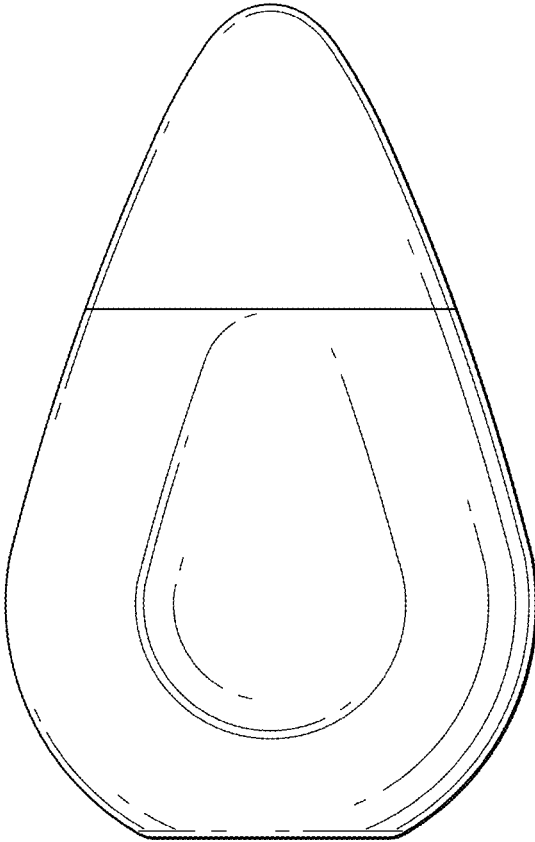


FIG. 3

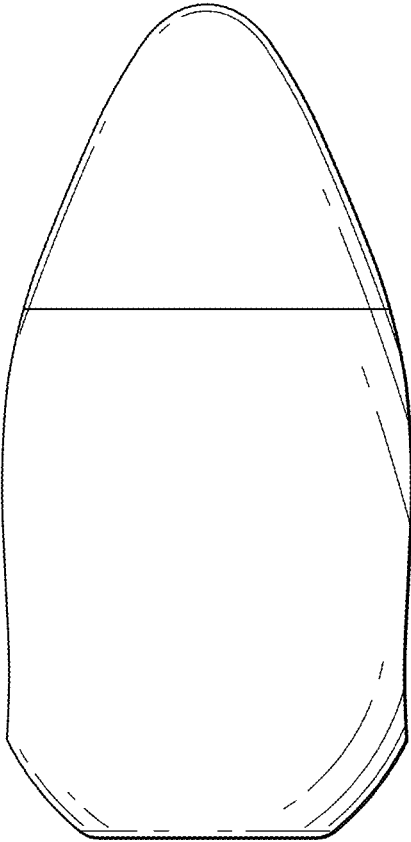


FIG. 4

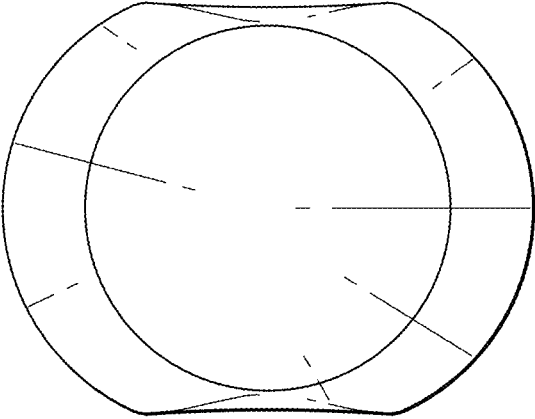


FIG. 5

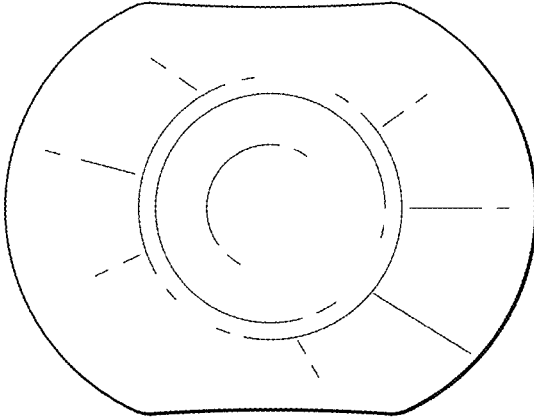


FIG. 6

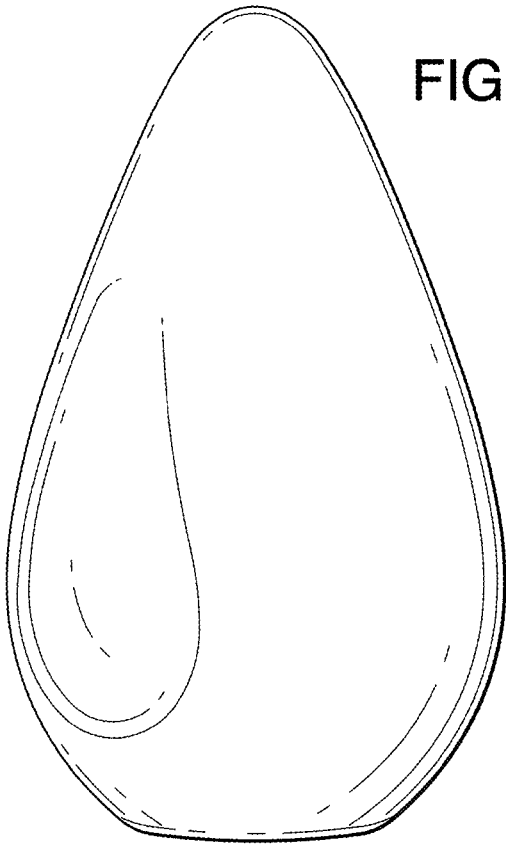


FIG. 7

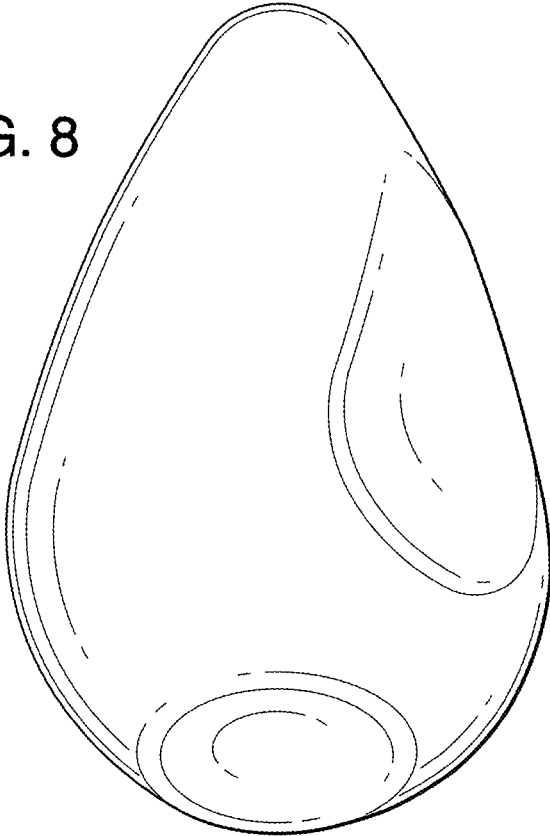


FIG. 8

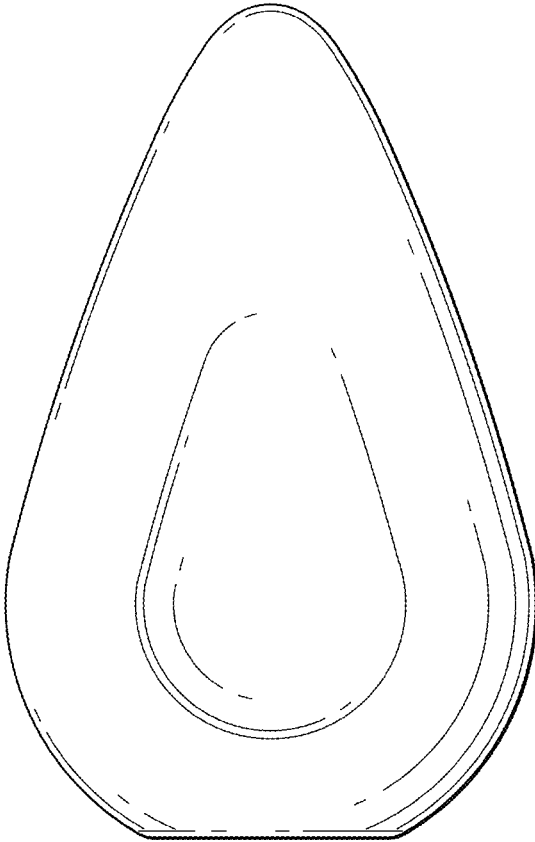


FIG. 9

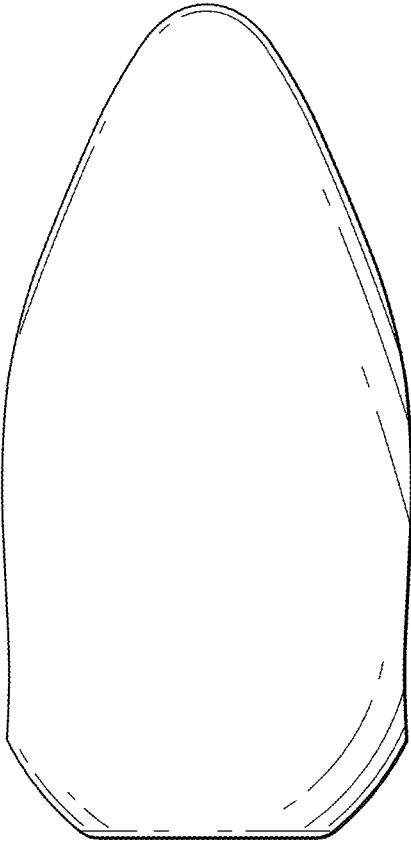


FIG. 10

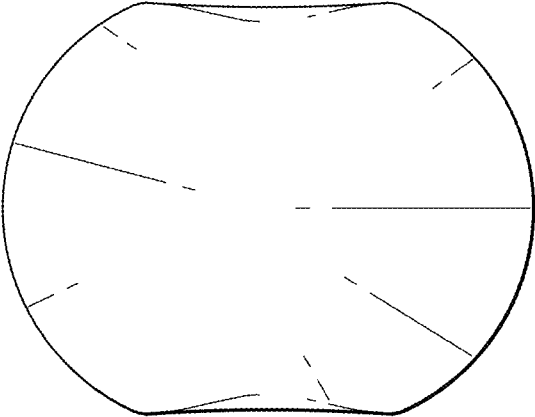


FIG. 11

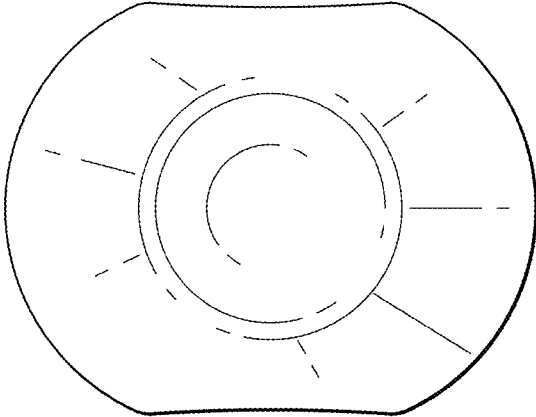


FIG. 12