



(51) International Patent Classification:
A61B 17/072 (2006.01)

(21) International Application Number:
PCT/US2013/047075

(22) International Filing Date:
21 June 2013 (21.06.2013)

(25) Filing Language: English

(26) Publication Language: English

(30) Priority Data:
13/536,335 28 June 2012 (28.06.2012) US

(71) Applicant: ETHICON ENDO-SURGERY, INC.
[US/US]; 4545 Creek Road, #97, Cincinnati, Ohio 45242
(US).

(72) Inventors: SHELTON, Frederick E., IV; 245 East Main
Street, Hillsboro, Ohio 45133 (US). SWAYZE, Jeffrey S.;
7047 Birchley Drive, Hamilton, Ohio 45011 (US). BAX-
TER, Chester O., III; 6375 Pawnee Ridge, Loveland,
Ohio 45140 (US).

(74) Agents: JOHNSON, Philip S. et al.; Johnson & Johnson,
One Johnson & Johnson Plaza, New Brunswick, New Jer-
sey 08933 (US).

(81) Designated States (unless otherwise indicated, for every
kind of national protection available): AE, AG, AL, AM,
AO, AT, AU, AZ, BA, BB, BG, BH, BN, BR, BW, BY,
BZ, CA, CH, CL, CN, CO, CR, CU, CZ, DE, DK, DM,
DO, DZ, EC, EE, EG, ES, FI, GB, GD, GE, GH, GM, GT,
HN, HR, HU, ID, IL, IN, IS, JP, KE, KG, KN, KP, KR,
KZ, LA, LC, LK, LR, LS, LT, LU, LY, MA, MD, ME,
MG, MK, MN, MW, MX, MY, MZ, NA, NG, NI, NO, NZ,
OM, PA, PE, PG, PH, PL, PT, QA, RO, RS, RU, RW, SC,
SD, SE, SG, SK, SL, SM, ST, SV, SY, TH, TJ, TM, TN,
TR, TT, TZ, UA, UG, US, UZ, VC, VN, ZA, ZM, ZW.

(84) Designated States (unless otherwise indicated, for every
kind of regional protection available): ARIPO (BW, GH,
GM, KE, LR, LS, MW, MZ, NA, RW, SD, SL, SZ, TZ,
UG, ZM, ZW), Eurasian (AM, AZ, BY, KG, KZ, RU, TJ,
TM), European (AL, AT, BE, BG, CH, CY, CZ, DE, DK,
EE, ES, FI, FR, GB, GR, HR, HU, IE, IS, IT, LT, LU, LV,
MC, MK, MT, NL, NO, PL, PT, RO, RS, SE, SI, SK, SM,
TR), OAPI (BF, BJ, CF, CG, CI, CM, GA, GN, GQ, GW,
KM, ML, MR, NE, SN, TD, TG).

Declarations under Rule 4.17:

- as to the identity of the inventor (Rule 4.17(i))
- as to applicant's entitlement to apply for and be granted a
patent (Rule 4.17(ii))

[Continued on next page]

(54) Title: ROTARY SUPPORT JOINT ASSEMBLIES FOR COUPLING A FIRST PORTION OF A SURGICAL INSTRUMENT
TO A SECOND PORTION OF A SURGICAL INSTRUMENT

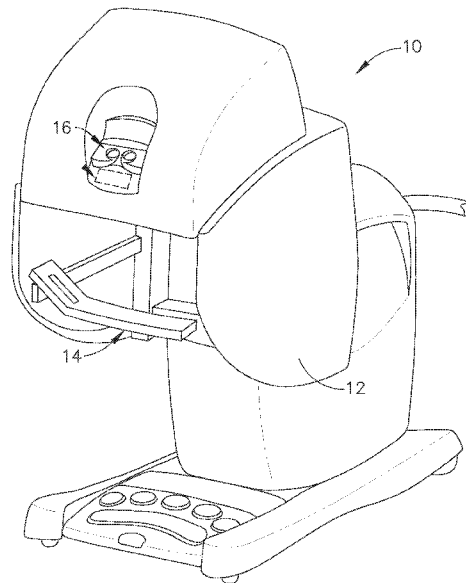


FIG. 1

(57) Abstract: A rotary support joint assembly for coupling a first portion of a surgical instrument to a second portion of a surgical instrument. In various forms the joint assembly includes a first annular race in the first portion and a second annular race in the second portion. The second race is configured for substantial registration with the first annular race when the second portion is joined with the first portion. A ring-like bearing is supported within the registered first and second annular races.



- *as to the applicant's entitlement to claim the priority of the earlier application (Rule 4.17(iii))*
- Published:**
 - *without international search report and to be republished upon receipt of that report (Rule 48.2(g))*

ROTARY SUPPORT JOINT ASSEMBLIES FOR COUPLING A FIRST PORTION OF A SURGICAL INSTRUMENT TO A SECOND PORTION OF A SURGICAL INSTRUMENT

BACKGROUND

[0001] Over the years a variety of minimally invasive robotic (or “telesurgical”) systems have been developed to increase surgical dexterity as well as to permit a surgeon to operate on a patient in an intuitive manner. Many of such systems are disclosed in the following U.S. Patents which are each herein incorporated by reference in their respective entirety: U.S. Pat. No. 5,792,135, entitled “Articulated Surgical Instrument For Performing Minimally Invasive Surgery With Enhanced Dexterity and Sensitivity”, U.S. Patent No. 6,231,565, entitled “Robotic Arm DLUS For Performing Surgical Tasks”, U.S. Patent No. 6,783,524, entitled “Robotic Surgical Tool With Ultrasound Cauterizing and Cutting Instrument”, U.S. Patent No. 6,364,888, entitled “Alignment of Master and Slave In a Minimally Invasive Surgical Apparatus”, U.S. Patent No. 7,524,320, entitled “Mechanical Actuator Interface System For Robotic Surgical Tools”, U.S. Patent No. 7,691,098, entitled Platform Link Wrist Mechanism”, U.S. Patent No. 7,806,891, entitled “Repositioning and Reorientation of Master/Slave Relationship in Minimally Invasive Telesurgery”, and U.S. Patent No. 7,824,401, entitled “Surgical Tool With Writed Monopolar Electrosurgical End Effectors”. Many of such systems, however, have in the past been unable to generate the magnitude of forces required to effectively cut and fasten tissue. In addition, existing robotic surgical systems are limited in the number of different types of surgical devices that they may operate.

BRIEF DESCRIPTION OF THE DRAWINGS

[0002] The features and advantages of this invention, and the manner of attaining them, will become more apparent and the invention itself will be better understood by reference to the following description of exemplary embodiments of the invention taken in conjunction with the accompanying drawings, wherein:

[0003] Various exemplary embodiments are described herein by way of example in conjunction with the following Figures wherein:

- [0004] FIG. 1 is a perspective view of one robotic controller embodiment;
- [0005] FIG. 2 is a perspective view of one robotic surgical arm cart/manipulator of a robotic system operably supporting a plurality of surgical tool embodiments;
- [0006] FIG. 3 is a side view of the robotic surgical arm cart/manipulator depicted in FIG. 2;
- [0007] FIG. 4 is a perspective view of a cart structure with positioning linkages for operably supporting robotic manipulators that may be used with surgical tool embodiments;
- [0008] FIG. 5 is a perspective view of a surgical tool embodiment and a surgical end effector embodiment;
- [0009] FIG. 6 is an exploded assembly view of an adapter and tool holder arrangement for attaching various surgical tool embodiments to a robotic system;
- [0010] FIG. 7 is a side view of the adapter shown in FIG. 6;
- [0011] FIG. 8 is a bottom view of the adapter shown in FIG. 6;
- [0012] FIG. 9 is a top view of the adapter of FIGS. 6 and 7;
- [0013] FIG. 10 is a partial bottom perspective view of a surgical tool embodiment;
- [0014] FIG. 11 is a front perspective view of a portion of a surgical tool embodiment with some elements thereof omitted for clarity;
- [0015] FIG. 12 is a rear perspective view of the surgical tool embodiment of FIG. 11;
- [0016] FIG. 13 is a top view of the surgical tool embodiment of FIGS. 11 and 12;
- [0017] FIG. 14 is a partial top view of the surgical tool embodiment of FIGS. 11-13 with the manually actuatable drive gear in an unactuated position;
- [0018] FIG. 15 is another partial top view of the surgical tool embodiment of FIGS. 11-14 with the manually actuatable drive gear in an initially actuated position;
- [0019] FIG. 16 is another partial top view of the surgical tool embodiment of FIGS. 11-15 with the manually actuatable drive gear in an actuated position;
- [0020] FIG. 17 is a rear perspective view of another surgical tool embodiment;
- [0021] FIG. 18 is a side elevational view of the surgical tool embodiment of FIG. 17;
- [0022] FIG. 19 is a cross-sectional view of the surgical tool embodiment of FIG. 5 with the end effector detached from the proximal shaft portion of the surgical tool;
- [0023] FIG. 20 is a side perspective view showing a portion of an interconnected quick disconnect joint embodiment;

- [0024] FIG. 21 is a cross-sectional view of a quick disconnect joint embodiment with the distal shaft portion of the end effector detached from the proximal shaft portion;
- [0025] FIG. 22 is another cross-sectional view of the quick disconnect joint embodiment of FIGS. 19-21 wherein the distal shaft portion has been initially engaged with the proximal shaft portion;
- [0026] FIG. 22A is a cross-sectional view of a quick disconnect joint embodiment wherein the distal shaft portion has been initially engaged with the proximal shaft portion;
- [0027] FIG. 23 is another cross-sectional view of the quick disconnect joint embodiment of FIGS. 19-22 wherein the distal shaft portion has been attached to the proximal shaft portion;
- [0028] FIG. 23A is another cross-sectional view of the quick disconnect joint embodiment of FIGS. 22A wherein the distal shaft portion has been attached to the proximal shaft portion;
- [0029] FIG. 23B is another cross-sectional view of the quick disconnect joint embodiment of FIGS. 22A, 22B wherein the distal shaft portion has been disengaged from the proximal shaft portion;
- [0030] FIG. 24 is a cross-sectional view of the distal shaft portion of FIGS. 19-23 taken along line 24-24 in FIG. 21;
- [0031] FIG. 25 is a cross-sectional view of a portion of an articulation joint and end effector embodiment;
- [0032] FIG. 26 is an exploded assembly view of a portion of the articulation joint and end effector of FIG. 25;
- [0033] FIG. 27 is a partial cross-sectional perspective view of the articulation joint and end effector portions depicted in FIG. 26;
- [0034] FIG. 28 is a partial perspective view of an end effector and drive shaft assembly embodiment;
- [0035] FIG. 29 is a partial side view of a drive shaft assembly embodiment;
- [0036] FIG. 30 is a perspective view of a drive shaft assembly embodiment;
- [0037] FIG. 31 is a side view of the drive shaft assembly of FIG. 31;
- [0038] FIG. 32 is a perspective view of a composite drive shaft assembly embodiment;
- [0039] FIG. 33 is a side view of the composite drive shaft assembly of FIG. 33;
- [0040] FIG. 34 is another view of the drive shaft assembly of FIGS. 30 and 31 assuming an arcuate or "flexed" configuration;

- [0041] FIG. 34A is a side view of a drive shaft assembly embodiment assuming an arcuate or “flexed” configuration;
- [0042] FIG. 34B is a side view of another drive shaft assembly embodiment assuming an arcuate or “flexed” configuration;
- [0043] FIG. 35 is a perspective view of a portion of another drive shaft assembly embodiment;
- [0044] FIG. 36 is a top view of the drive shaft assembly embodiment of FIG. 35;
- [0045] FIG. 37 is another perspective view of the drive shaft assembly embodiment of FIGS. 35 and 36 in an arcuate configuration;
- [0046] FIG. 38 is a top view of the drive shaft assembly embodiment depicted in FIG. 37;;
- [0047] FIG. 39 is a perspective view of another drive shaft assembly embodiment;
- [0048] FIG. 40 is another perspective view of the drive shaft assembly embodiment of FIG. 39 in an arcuate configuration;
- [0049] FIG. 41 is a top view of the drive shaft assembly embodiment of FIGS. 39 and 40;
- [0050] FIG. 42 is a cross-sectional view of the drive shaft assembly embodiment of FIG. 41;
- [0051] FIG. 43 is a partial cross-sectional view of another drive shaft assembly embodiment;
- [0052] FIG. 44 is another cross-sectional view of the drive shaft assembly embodiment of FIG. 43;
- [0053] FIG. 45 is another cross-sectional view of a portion of another drive shaft assembly embodiment;
- [0054] FIG. 46 is another cross-sectional view of the drive shaft assembly of FIG. 45;
- [0055] FIG. 47 is a partial cross-sectional perspective view of an end effector embodiment with the anvil thereof in an open position;
- [0056] FIG. 48 is another partial cross-sectional perspective view of the end effector embodiment of FIG. 47;
- [0057] FIG. 49 is a side cross-sectional view of the end effector embodiment of FIGS. 47 and 48;
- [0058] FIG. 50 is another side cross-sectional view of the end effector embodiment of FIGS. 47-49;
- [0059] FIG. 51 is a partial cross-sectional perspective view of the end effector embodiment of FIGS. 47-50 with the anvil thereof in a closed position;

- [0060] FIG. 52 is another partial cross-sectional perspective view of the end effector embodiment of FIG. 51;
- [0061] FIG. 53 is a side cross-sectional view of the end effector embodiment of FIGS. 51 and 52 with the anvil thereof in a partially closed position;
- [0062] FIG. 54 is another side cross-sectional view of the end effector embodiment of FIGS. 51-53 with the anvil in a closed position;
- [0063] FIG. 55 is a cross-sectional perspective view of another end effector embodiment and portion of another elongate shaft assembly embodiment;
- [0064] FIG. 56 is an exploded perspective view of a closure system embodiment;
- [0065] FIG. 57 is a side view of the closure system embodiment of FIG. 56 with the anvil in an open position;
- [0066] FIG. 58 is a side cross-sectional view of the closure system embodiment of FIGS. 57 and 57 within an end effector embodiment wherein the anvil thereof is in an open position;
- [0067] FIG. 59 is another cross-sectional view of the closure system and end effector embodiment of FIG. 58 with the anvil thereof in a closed position;
- [0068] FIG. 59A is a front perspective view of a portion of another surgical tool embodiment that employs the closure system embodiment of FIGS. 56-59 with the actuation solenoid omitted for clarity;
- [0069] FIG. 60 is an exploded assembly view of another end effector embodiment;
- [0070] FIG. 61 is a partial perspective view of a drive system embodiment;
- [0071] FIG. 62 is a partial front perspective view of a portion of the drive system embodiment of FIG. 61;
- [0072] FIG. 63 is a partial rear perspective view of a portion of the drive system embodiment of FIGS. 61 and 62;
- [0073] FIG. 64 is a partial cross-sectional side view of the drive system embodiment of FIGS. 61-63 in a first axial drive position;
- [0074] FIG. 65 is another partial cross-sectional side view of the drive system embodiment of FIGS. 61-64 in a second axial drive position;
- [0075] FIG. 66 is a cross-sectional view of an end effector and drive system embodiment wherein the drive system is configured to fire the firing member;

- [0076] FIG. 67 is another cross-sectional view of the end effector and drive system embodiment wherein the drive system is configured to rotate the entire end effector;
- [0077] FIG. 68 is a cross-sectional perspective view of a portion of an end effector embodiment and articulation joint embodiment;
- [0078] FIG. 69 is a cross-sectional side view of the end effector and articulation joint embodiment depicted in FIG. 68;
- [0079] FIG. 70 is a cross-sectional view of another end effector and drive system embodiment wherein the drive system is configured to rotate the entire end effector;
- [0080] FIG. 71 is another cross-sectional view of the end effector and drive system embodiment of FIG. 70 wherein the drive system is configured to fire the firing member of the end effector;
- [0081] FIG. 72 is a cross-sectional side view of an end effector embodiment;
- [0082] FIG. 73 is an enlarged cross-sectional view of a portion of the end effector embodiment of FIG. 72;
- [0083] FIG. 74 is a cross-sectional side view of another end effector embodiment wherein the firing member thereof has been partially driven through the firing stroke;
- [0084] FIG. 75 is another cross-sectional side view of the end effector embodiment of FIG. 74 wherein the firing member has been driven to the end of its firing stroke;
- [0085] FIG. 76 is another cross-sectional side view of the end effector embodiment of FIGS. 74 and 75 wherein the firing member thereof is being retracted;
- [0086] FIG. 77 is a cross-sectional side view of another end effector embodiment wherein the firing member thereof has been partially driven through its firing stroke;
- [0087] FIG. 78 is an exploded assembly view of a portion of an implement drive shaft embodiment;
- [0088] FIG. 79 is another cross-sectional side view of the end effector of FIG. 77 with the firing member thereof at the end of its firing stroke;
- [0089] FIG. 80 is another cross-sectional side view of the end effector of FIGS. 77 and 78 wherein the firing member is being retracted;
- [0090] FIG. 81 is a cross-sectional side view of another end effector embodiment wherein the firing member is at the end of its firing stroke;

- [0091] FIG. 81A is an exploded assembly view of an implement drive shaft and bearing segment embodiment;
- [0092] FIG. 81B is an exploded assembly view of another implement drive shaft and bearing segment embodiment;
- [0093] FIG. 82 is an exploded assembly view of a firing member embodiment;
- [0094] FIG. 83 is a perspective view of the firing member of FIG. 82;
- [0095] FIG. 84 is a cross-sectional view of the firing member of FIGS. 82 and 83 installed on a portion of an exemplary implement drive shaft embodiment;
- [0096] FIG. 85 is an exploded assembly view of another firing member embodiment;
- [0097] FIG. 86 is a rear perspective view of another firing member embodiment;
- [0098] FIG. 87 is a front perspective view of the firing member embodiment of FIG. 86;
- [0099] FIG. 88 is a perspective view of a firing member, implement drive shaft, wedge sled assembly and alignment portion for a surgical end effector;
- [0100] FIG. 89 is a side elevational view of the firing member, implement drive shaft, wedge sled assembly and alignment portion of FIG. 88;
- [0101] FIG. 90 is a cross-sectional elevational view of the surgical end effector of FIG. 60 in a closed configuration without a staple cartridge installed therein;
- [0102] FIG. 91 is a bottom view of a surgical end effector having a firing lockout according to various exemplary embodiments of the present disclosure;
- [0103] FIG. 92 is a perspective view of a portion of the bottom of the surgical end effector of FIG. 91 in a closed and inoperable configuration;
- [0104] FIG. 93 is a cross-sectional elevational view of the surgical end effector of FIG. 91 in a closed and inoperable configuration;
- [0105] FIG. 94 is an end elevational view of the surgical end effector of FIG. 91 in an open and inoperable configuration;
- [0106] FIG. 95 is an end elevational view of the surgical end effector of FIG. 91 in a closed and inoperable configuration;
- [0107] FIG. 96 is an elevational, cross-sectional view of the surgical end effector of FIG. 91 in a closed and operable configuration having a wedge sled assembly and an alignment portion in a first set of positions therein;

[0108] FIG. 97 is another end elevational view of the surgical end effector of FIG. 91 in a closed and operable configuration;

[0109] FIG. 98 is an exploded perspective view of a surgical end effector with some components thereof shown in cross section and other components thereof omitted for clarity;

[0110] FIG. 99 is a perspective view of the biasing element depicted in FIG. 98;

[0111] FIG. 100 is a perspective view of the end effector drive housing depicted in FIG. 98;

[0112] FIG. 101 is a cross-sectional elevational view of the surgical end effector of FIG. 98 illustrating the biasing element in a second set of positions;

[0113] FIG. 102 is a cross-sectional view of a portion of the surgical end effector of FIG. 98 illustrating the implement drive shaft in an inoperable position;

[0114] FIG. 103 is a cross-sectional view of a portion of the surgical end effector of FIG. 98 illustrating the biasing element in a first set of positions;

[0115] FIG. 104 is a cross-sectional view of a portion of the surgical end effector of FIG. 98 illustrating the biasing element in a first set of positions and the implement drive shaft in an operable position;

[0116] FIG. 105 is a cross-sectional perspective view of an end effector for a surgical instrument comprising a drive screw configured to drive a firing member of the end effector;

[0117] FIG. 106A is a side view of a portion of a first drive screw for an end effector comprising a first length, wherein the first drive screw includes a single thread;

[0118] FIG. 106B is a cross-sectional end view of the first drive screw of FIG. 106A;

[0119] FIG. 107A is a side view of a portion of a second drive screw for an end effector comprising a second length, wherein the second drive screw includes two threads;

[0120] FIG. 107B is a cross-sectional end view of the second drive screw of FIG. 107A;

[0121] FIG. 108A is a side view of a portion of a third drive screw for an end effector comprising a third length, wherein the third drive screw includes three threads;

[0122] FIG. 108B is a cross-sectional end view of the third drive screw of FIG. 108A;

[0123] FIG. 109A is a side view of a portion of a fourth drive screw for an end effector comprising a fourth length, wherein the fourth drive screw includes four threads;

[0124] FIG. 109B is a cross-sectional end view of the fourth drive screw of FIG. 109A;

[0125] FIG. 110 is an exploded perspective view of a cutting blade for use with an end effector having a drive screw;

- [0126] FIG. 111 is a perspective view of a gearing arrangement for transmitting rotation from a drive shaft to a drive screw of an end effector, wherein the gearing arrangement is shown with portions thereof removed for the purposes of illustration;
- [0127] FIG. 112 is a perspective view of another surgical tool embodiment;
- [0128] FIG. 112A is a perspective view of the end effector arrangement of the surgical tool of FIG. 112;
- [0129] FIG. 113 is an exploded assembly view of a portion of the elongate shaft assembly and quick disconnect coupler arrangement depicted in FIG. 112;
- [0130] FIG. 114 is a perspective view of a portion of the elongate shaft assembly of FIGS. 112 and 113;
- [0131] FIG. 115 is an enlarged exploded perspective view of the exemplary quick disconnect coupler arrangement depicted in FIGS. 112-114;
- [0132] FIG. 116 is a side elevational view of the quick disconnect coupler arrangement of FIGS. 112-115 with the locking collar thereof in an unlocked position;
- [0133] FIG. 117 is another side elevational view of the quick disconnect coupler arrangement of FIGS. 112-116 with the locking collar thereof in a locked position;
- [0134] FIG. 118 is a perspective view of another surgical tool embodiment;
- [0135] FIG. 119 is another perspective view of the surgical tool embodiment of FIG. 118;
- [0136] FIG. 120 is a cross-sectional perspective view of the surgical tool embodiment of FIGS. 118 and 119;
- [0137] FIG. 121 is a cross-sectional perspective view of a portion of an articulation system;
- [0138] FIG. 122 is a cross-sectional view of the articulation system of FIG. 121 in a neutral position;
- [0139] FIG. 123 is another cross-sectional view of the articulation system of FIGS. 121 and 122 in an articulated position;
- [0140] FIG. 124 is a side elevational view of a portion of the surgical instrument embodiment of FIGS. 118-120 with portions thereof omitted for clarity;
- [0141] FIG. 125 is a rear perspective view of a portion of the surgical instrument embodiment of FIGS. 118-120 with portions thereof omitted for clarity;
- [0142] FIG. 126 is a rear elevational view of a portion of the surgical instrument embodiment of FIGS. 118-120 with portions thereof omitted for clarity;

- [0143] FIG. 127 is a front perspective view of a portion of the surgical instrument embodiment of FIGS. 118-120 with portions thereof omitted for clarity;
- [0144] FIG. 128 is a side elevational view of a portion of the surgical instrument embodiment of FIGS. 118-120 with portions thereof omitted for clarity;
- [0145] FIG. 129 is an exploded assembly view of an exemplary reversing system embodiment of the surgical instrument embodiment of FIGS. 118-120;
- [0146] FIG. 130 is a perspective view of a lever arm embodiment of the reversing system of FIG. 129;
- [0147] FIG. 131 is a perspective view of a knife retractor button of the reversing system of FIG. 129;
- [0148] FIG. 132 is a perspective view of a portion of the surgical instrument embodiment of FIGS. 118-120 with portions thereof omitted for clarity and with the lever arm in actuatable engagement with the reversing gear;
- [0149] FIG. 133 is a perspective view of a portion of the surgical instrument embodiment of FIGS. 118-120 with portions thereof omitted for clarity and with the lever arm in an unactuated position;
- [0150] FIG. 134 is another perspective view of a portion of the surgical instrument embodiment of FIGS. 118-120 with portions thereof omitted for clarity and with the lever arm in actuatable engagement with the reversing gear;
- [0151] FIG. 135 is a side elevational view of a portion of a handle assembly portion of the surgical instrument embodiment of FIGS. 118-20 with the a shifter button assembly moved into a position which will result in the rotation of the end effector when the drive shaft assembly is actuated;
- [0152] FIG. 136 is another side elevational view of a portion of a handle assembly portion of the surgical instrument embodiment of FIGS. 118-120 with the a shifter button assembly moved into another position which will result in the firing of the firing member in the end effector when the drive shaft assembly is actuated;
- [0153] FIG. 137 is a cross-sectional view of a portion of another surgical tool embodiment with a lockable articulation joint embodiment;
- [0154] FIG. 138 is another cross-sectional view of the portion of surgical tool of FIG. 137 articulated in one configuration;

- [0155] FIG. 139 is another cross-sectional view of the portion of surgical tool of FIGS. 137 and 138 articulated in another configuration;
- [0156] FIG. 140 is a cross-sectional of an articulation locking system embodiment depicted in FIG. 137 taken along line 140-140 in FIG. 137;
- [0157] FIG. 141 is a cross-sectional view of the articulation locking system of FIG. 140 taken along line 141-141 in FIG. 140;
- [0158] FIG. 142 is a cross-sectional view of a portion of the surgical tool of FIG. 137 taken along line 142-142 in FIG. 137;
- [0159] FIG. 143 illustrates the position of the locking wire when the first and second locking rings are in a clamped or locked configuration when the end effector has been articulated into a first articulation position illustrated in FIG. 138;
- [0160] FIG. 144 illustrates a position of the locking wire when the first and second locking rings have been sprung to their respective unclamped or unlocked positions when the end effector has been articulated to the first articulation position illustrated in FIG. 138;
- [0161] FIG. 145 illustrates a position of the locking wire when the first and second locking rings are in a clamped or locked configuration when the end effector has been articulated into a second articulation position illustrated in FIG. 139;
- [0162] FIG. 146 illustrates the position of the locking wire when the first and second locking rings have been sprung to their respective unclamped or unlocked positions when the end effector has been articulated to the first articulation position illustrated in FIG. 139;
- [0163] FIG. 147 is another view of the locking wire when the end effector has been articulated relative to the elongate shaft assembly;
- [0164] FIG. 148 is a cross-sectional view of another end effector embodiment with the anvil assembly thereof in the closed position;
- [0165] FIG. 149 is another cross-sectional view of the end effector embodiment of FIG. 148;
- [0166] FIG. 150 is another cross-sectional view of the end effector embodiment of FIGS. 148 and 149 with the anvil assembly in the closed position;
- [0167] FIG. 151 is another cross-sectional view of the end effector embodiment of FIGS. 148-150 illustrating the drive transmission configured to drive the firing member;

- [0168] FIG. 152 is another cross-sectional view of the end effector embodiment of FIGS. 148-151 with the drive transmission configured to rotate the entire end effector about the longitudinal tool axis;
- [0169] FIG. 153 is a cross-sectional view of the end effector of FIGS. 148-152 taken along line 153-153 in FIG. 148 with the drive transmission configured to actuate the anvil assembly;
- [0170] FIG. 154 is a cross-sectional view of the end effector of FIGS. 148-153 taken along line 154-154 in FIG. 148 with the drive transmission configured to fire the firing member;
- [0171] FIG. 155 is a cross-sectional view of the end effector of FIGS. 148-154 taken along line 155-155 in FIG. 148 with the drive transmission configured to actuate the anvil assembly;
- [0172] FIG. 156 is a cross-sectional view of the end effector of FIGS. 148-155 taken along line 156-156 in FIG. 148;
- [0173] FIG. 157 is a cross-sectional perspective view of another end effector embodiment;
- [0174] FIG. 158 is a perspective view of an elongate channel of the end effector of FIG. 157;
- [0175] FIG. 159 is a perspective view of an anvil spring embodiment;
- [0176] FIG. 160 is a side cross-sectional view of the end effector of FIG. 157 with the anvil in a closed position after the firing member has been driven to its distal-most position;
- [0177] FIG. 161 is a cross-sectional view of a portion of the end effector of FIG. 160 taken along line 161-161 in FIG. 160;
- [0178] FIG. 162 is another side cross-sectional view of the end effector of FIGS. 157, 160 and 161 with the firing member being retracted;
- [0179] FIG. 163 is a cross-sectional view of a portion of the end effector of FIG. 162 taken along line 163-163;
- [0180] FIG. 164 is another side cross-sectional view of the end effector of FIGS. 157 and 160-163 with the firing member in its proximal-most position;
- [0181] FIG. 165 is a cross-sectional view of the end effector of FIGS. 157 and 160-164 taken along line 165-165 in FIG. 164;
- [0182] FIG. 166 is another side cross-sectional view of the end effector of FIGS. 157 and 160-165 after the solenoid has pulled the closure tube to its proximal-most position;
- [0183] FIG. 167 is a cross-sectional view of the end effector of FIGS. 157 and 160-166 taken along line 167-167 in FIG. 166;

[0184] FIG. 168 is another side cross-sectional view of the end effector of FIGS. 157 and 160-167 with the anvil in an open position and the after the solenoid has pulled the closure tube to its proximal-most position;

[0185] FIG. 169 is another side cross-sectional view of the end effector of FIGS. 157 and 160-168 after the firing member has moved to its starting position;

[0186] FIG. 170 is another side cross-sectional view of the end effector of FIGS. 157 and 160-169 with the anvil assembly closed and the firing member ready to fire;

[0187] FIG. 171 is a partial cross-sectional view of another quick disconnect arrangement for coupling a distal shaft portion that may be attached to an end effector to a proximal shaft portion that may be coupled to a tool mounting portion for a robotic system or to a handle assembly;

[0188] FIG. 172 is another partial cross-sectional view of the quick disconnect arrangement of FIG. 171;

[0189] FIG. 173 is an end view of the proximal shaft portion of the quick disconnect arrangement of FIGS. 171 and 172;

[0190] FIG. 174 is cross-sectional view of an axially movable lock collar embodiment of the quick disconnect arrangement of FIGS. 171 and 172;

[0191] FIG. 174A is a perspective view of the lock collar embodiment of FIG. 174;

[0192] FIG. 175 is another cross-sectional view of the quick disconnect arrangement of FIGS. 171 and 172 illustrating the initial coupling of the distal and proximal drive shaft portions;

[0193] FIG. 176 is another cross-sectional view of the quick disconnect arrangement of FIGS. 171, 172 and 175 illustrating the initial coupling of the corresponding articulation cable segments;

[0194] FIG. 177 is another cross-sectional view of the quick disconnect arrangement of FIG. 175 after the distal drive shaft portion has been locked to the proximal drive shaft portion; and

[0195] FIG. 178 is another cross-sectional view of the quick disconnect arrangement of FIG. 176 after the corresponding articulation cable segments have been locked together.

DETAILED DESCRIPTION

[0196] Applicant of the present application also owns the following patent applications that have been filed on even date herewith and which are each herein incorporated by reference in their respective entireties:

1. U.S. Patent Application Serial No. _____, entitled "Flexible Drive Member," (Attorney Docket No. END7131USNP/120135).
2. U.S. Patent Application Serial No. _____, entitled "Multi-Functional Powered Surgical Device with External Dissection Features," (Attorney Docket No. END7132USNP/120136).
3. U.S. Patent Application Serial No. _____, entitled "Coupling Arrangements for Attaching Surgical End Effectors to Drive Systems Therefor," (Attorney Docket No. END7133USNP/120137).
4. U.S. Patent Application Serial No. _____, entitled "Rotary Actuatable Closure Arrangement for Surgical End Effector," (Attorney Docket No. END7134USNP/120138).
5. U.S. Patent Application Serial No. _____, entitled "Surgical End Effectors Having Angled Tissue-Contacting Surfaces," (Attorney Docket No. END7135USNP/120139).
6. U.S. Patent Application Serial No. _____, entitled "Interchangeable End Effector Coupling Arrangement," (Attorney Docket No. END7136USNP/120140).
7. U.S. Patent Application Serial No. _____, entitled "Surgical End Effector Jaw and Electrode Configurations," (Attorney Docket No. END7137USNP/120141).
8. U.S. Patent Application Serial No. _____, entitled "Multi-Axis Articulating and Rotating Surgical Tools," (Attorney Docket No. END7138USNP/120142).
9. U.S. Patent Application Serial No. _____, entitled "Differential Locking Arrangements for Rotary Powered Surgical Instruments," (Attorney Docket No. END7139USNP/120143).
10. U.S. Patent Application Serial No. _____, entitled "Interchangeable Clip Applier," (Attorney Docket No. END7140USNP/120144).
11. U.S. Patent Application Serial No. _____, entitled "Firing System Lockout Arrangements for Surgical Instruments," (Attorney Docket No. END7141USNP/120145).
12. U.S. Patent Application Serial No. _____, entitled "Rotary Drive Shaft Assemblies for Surgical Instruments with Articlatable End Effectors," (Attorney Docket No. END7142USNP/120146).

13. U.S. Patent Application Serial No. _____, entitled "Rotary Drive Arrangements for Surgical Instruments," (Attorney Docket No. END7143USNP/120147).

14. U.S. Patent Application Serial No. _____, entitled "Robotically Powered Surgical Device With Manually-Actuable Reversing System," (Attorney Docket No. END7144USNP/120148).

15. U.S. Patent Application Serial No. _____, entitled "Replaceable Clip Cartridge for a Clip Applier," (Attorney Docket No. END7145USNP/120149).

16. U.S. Patent Application Serial No. _____, entitled "Empty Clip Cartridge Lockout," (Attorney Docket No. END7146USNP/120150).

17. U.S. Patent Application Serial No. _____, entitled "Surgical Instrument System Including Replaceable End Effectors," (Attorney Docket No. END7147USNP/120151).

18. U.S. Patent Application Serial No. _____, entitled "Electrode Connections for Rotary Driven Surgical Tools," (Attorney Docket No. END7149USNP/120153).

[0197] Applicant also owns the following patent applications that are each incorporated by reference in their respective entirety:

- U.S. Patent Application Serial No. 13/118,259, entitled "Surgical Instrument With Wireless Communication Between a Control Unit of a Robotic System and Remote Sensor", U.S. Patent Application Publication No. 2011-0295270 A1;

- U.S. Patent Application Serial No. 13/118,210, entitled "Robotically-Controlled Disposable Motor Driven Loading Unit", U.S. Patent Application Publication No. 2011-0290855 A1;

- U.S. Patent Application Serial No. 13/118,194, entitled "Robotically-Controlled Endoscopic Accessory Channel", U.S. Patent Application Publication No. 2011-0295242;

- U.S. Patent Application Serial No. 13/118,253, entitled "Robotically-Controlled Motorized Surgical Instrument", U.S. Patent Application Publication No. 2011-0295269 A1;

- U.S. Patent Application Serial No. 13/118,278, entitled "Robotically-Controlled Surgical Stapling Devices That Produce Formed Staples Having Different Lengths", U.S. Patent Application Publication No. 2011-0290851 A1;

- U.S. Patent Application Serial No. 13/118,190, entitled "Robotically-Controlled Motorized Cutting and Fastening Instrument", U.S. Patent Application Publication No. 2011-0288573 A1

- U.S. Patent Application Serial No. 13/118,223, entitled “Robotically-Controlled Shaft Based Rotary Drive Systems For Surgical Instruments”, U.S. Patent Application Publication No. 2011-0290854 A1;
- U.S. Patent Application Serial No. 13/118,263, entitled “Robotically-Controlled Surgical Instrument Having Recording Capabilities”, U.S. Patent Application Publication No. 2011-0295295 A1;
- U.S. Patent Application Serial No. 13/118,272, entitled “Robotically-Controlled Surgical Instrument With Force Feedback Capabilities”, U.S. Patent Application Publication No. 2011-0290856 A1;
- U.S. Patent Application Serial No. 13/118,246, entitled “Robotically-Driven Surgical Instrument With E-Beam Driver”, U.S. Patent Application Publication No. 2011-0290853 A1; and
- U.S. Patent Application Serial No. 13/118,241, entitled “Surgical Stapling Instruments With Rotatable Staple Deployment Arrangements”.

[0198] Certain exemplary embodiments will now be described to provide an overall understanding of the principles of the structure, function, manufacture, and use of the devices and methods disclosed herein. One or more examples of these exemplary embodiments are illustrated in the accompanying drawings. Those of ordinary skill in the art will understand that the devices and methods specifically described herein and illustrated in the accompanying drawings are non-limiting exemplary embodiments and that the scope of the various exemplary embodiments of the present invention is defined solely by the claims. The features illustrated or described in connection with one exemplary embodiment may be combined with the features of other exemplary embodiments. Such modifications and variations are intended to be included within the scope of the present invention.

[0199] FIG. 1 depicts a master controller 12 that is used in connection with a robotic arm slave cart 20 of the type depicted in FIG. 2. Master controller 12 and robotic arm slave cart 20, as well as their respective components and control systems are collectively referred to herein as a robotic system 10. Examples of such systems and devices are disclosed in U.S. Patent No. 7,524,320 which has been herein incorporated by reference. Thus, various details of such devices will not be described in detail herein beyond that which may be necessary to understand various exemplary embodiments disclosed herein. As is known, the master controller 12 generally

includes master controllers (generally represented as 14 in FIG. 1) which are grasped by the surgeon and manipulated in space while the surgeon views the procedure via a stereo display 16. The master controllers 12 generally comprise manual input devices which preferably move with multiple degrees of freedom, and which often further have an actuatable handle for actuating tools (for example, for closing grasping jaws, applying an electrical potential to an electrode, or the like).

[0200] As can be seen in FIG. 2, the robotic arm cart 20 is configured to actuate a plurality of surgical tools, generally designated as 30. Various robotic surgery systems and methods employing master controller and robotic arm cart arrangements are disclosed in U.S. Patent No. 6,132,368, entitled "Multi-Component Telepresence System and Method", the full disclosure of which is incorporated herein by reference. As shown, the robotic arm cart 20 includes a base 22 from which, in the illustrated embodiment, three surgical tools 30 are supported. The surgical tools 30 are each supported by a series of manually articulatable linkages, generally referred to as set-up joints 32, and a robotic manipulator 34. These structures are herein illustrated with protective covers extending over much of the robotic linkage. These protective covers may be optional, and may be limited in size or entirely eliminated to minimize the inertia that is encountered by the servo mechanisms used to manipulate such devices, to limit the volume of moving components so as to avoid collisions, and to limit the overall weight of the cart 20. The cart 20 generally has dimensions suitable for transporting the cart 20 between operating rooms. The cart 20 is configured to typically fit through standard operating room doors and onto standard hospital elevators. The cart 20 would preferably have a weight and include a wheel (or other transportation) system that allows the cart 20 to be positioned adjacent an operating table by a single attendant.

[0201] Referring now to FIG. 3, robotic manipulators 34 as shown include a linkage 38 that constrains movement of the surgical tool 30. Linkage 38 includes rigid links coupled together by rotational joints in a parallelogram arrangement so that the surgical tool 30 rotates around a point in space 40, as more fully described in U.S. Patent No. 5,817,084, the full disclosure of which is herein incorporated by reference. The parallelogram arrangement constrains rotation to pivoting about an axis 40a, sometimes called the pitch axis. The links supporting the parallelogram linkage are pivotally mounted to set-up joints 32 (FIG. 2) so that the surgical tool 30 further rotates about an axis 40b, sometimes called the yaw axis. The pitch and yaw axes 40a, 40b

intersect at the remote center 42, which is aligned along a shaft 44 of the surgical tool 30. The surgical tool 30 may have further degrees of driven freedom as supported by manipulator 50, including sliding motion of the surgical tool 30 along the longitudinal tool axis "LT-LT". As the surgical tool 30 slides along the tool axis LT-LT relative to manipulator 50 (arrow 40c), remote center 42 remains fixed relative to base 52 of manipulator 50. Hence, the entire manipulator is generally moved to re-position remote center 42. Linkage 54 of manipulator 50 is driven by a series of motors 56. These motors actively move linkage 54 in response to commands from a processor of a control system. Motors 56 are also employed to manipulate the surgical tool 30. An alternative set-up joint structure is illustrated in FIG. 4. In this embodiment, a surgical tool 30 is supported by an alternative manipulator structure 50' between two tissue manipulation tools.

[0202] Other embodiments may incorporate a wide variety of alternative robotic structures, including those described in U.S. Patent No. 5,878,193, entitled "Automated Endoscope System For Optimal Positioning", the full disclosure of which is incorporated herein by reference.

Additionally, while the data communication between a robotic component and the processor of the robotic surgical system is described with reference to communication between the surgical tool 30 and the master controller 12, similar communication may take place between circuitry of a manipulator, a set-up joint, an endoscope or other image capture device, or the like, and the processor of the robotic surgical system for component compatibility verification, component-type identification, component calibration (such as off-set or the like) communication, confirmation of coupling of the component to the robotic surgical system, or the like.

[0203] A surgical tool 100 that is well-adapted for use with a robotic system 10 is depicted in FIG. 5. As can be seen in that Figure, the surgical tool 100 includes a surgical end effector 1000 that comprises an endocutter. The surgical tool 100 generally includes an elongate shaft assembly 200 that is operably coupled to the manipulator 50 by a tool mounting portion, generally designated as 300. The surgical tool 100 further includes an interface 302 which mechanically and electrically couples the tool mounting portion 300 to the manipulator. One interface 302 is illustrated in FIGS. 6-10. In the embodiment depicted in FIGS. 6-10, the tool mounting portion 300 includes a tool mounting plate 304 that operably supports a plurality of (four are shown in FIG. 10) rotatable body portions, driven discs or elements 306, that each include a pair of pins 308 that extend from a surface of the driven element 306. One pin 308 is

closer to an axis of rotation of each driven elements 306 than the other pin 308 on the same driven element 306, which helps to ensure positive angular alignment of the driven element 306. Interface 302 may include an adaptor portion 310 that is configured to mountingly engage a mounting plate 304 as will be further discussed below. The illustrated adaptor portion 310 includes an array of electrical connecting pins 312 (FIG. 8) which may be coupled to a memory structure by a circuit board within the tool mounting portion 300. While interface 302 is described herein with reference to mechanical, electrical, and magnetic coupling elements, it should be understood that a wide variety of telemetry modalities might be used, including infrared, inductive coupling, or the like in other embodiments.

[0204] As can be seen in FIGS. 6-9, the adapter portion 310 generally includes a tool side 314 and a holder side 316. A plurality of rotatable bodies 320 are mounted to a floating plate 318 which has a limited range of movement relative to the surrounding adaptor structure normal to the major surfaces of the adaptor 310. Axial movement of the floating plate 318 helps decouple the rotatable bodies 320 from the tool mounting portion 300 when levers or other latch formations along the sides of the tool mounting portion housing (not shown) are actuated. Other embodiments may employ other mechanisms/arrangements for releasably coupling the tool mounting portion 300 to the adaptor 310. In the embodiment of FIGS. 6-10, rotatable bodies 320 are resiliently mounted to floating plate 318 by resilient radial members which extend into a circumferential indentation about the rotatable bodies 320. The rotatable bodies 320 can move axially relative to plate 318 by deflection of these resilient structures. When disposed in a first axial position (toward tool side 314) the rotatable bodies 320 are free to rotate without angular limitation. However, as the rotatable bodies 320 move axially toward tool side 314, tabs 322 (extending radially from the rotatable bodies 320) laterally engage detents on the floating plates so as to limit angular rotation of the rotatable bodies 320 about their axes. This limited rotation can be used to help drivingly engage the rotatable bodies 320 with drive pins 332 of a corresponding tool holder portion 330 of the robotic system 10, as the drive pins 332 will push the rotatable bodies 320 into the limited rotation position until the pins 332 are aligned with (and slide into) openings 334'. Openings 334 on the tool side 314 and openings 334' on the holder side 316 of rotatable bodies 320 are configured to accurately align the driven elements 306 (FIG. 10) of the tool mounting portion 300 with the drive elements 336 of the tool holder 330. As described above regarding inner and outer pins 308 of driven elements 306, the openings 334,

334' are at differing distances from the axis of rotation on their respective rotatable bodies 306 so as to ensure that the alignment is not 180 degrees from its intended position. Additionally, each of the openings 334 may be slightly radially elongate so as to fittingly receive the pins 308 in the circumferential orientation. This allows the pins 308 to slide radially within the openings 334 and accommodate some axial misalignment between the tool 100 and tool holder 330, while minimizing any angular misalignment and backlash between the drive and driven elements.

Openings 334 on the tool side 314 may be offset by about 90 degrees from the openings 334' (shown in broken lines) on the holder side 316, as can be seen most clearly in FIG. 9.

[0205] In the embodiment of FIGS. 6-10, an array of electrical connector pins 340 are located on holder side 316 of adaptor 310 and the tool side 314 of the adaptor 310 includes slots 342 (FIG. 9) for receiving a pin array (not shown) from the tool mounting portion 300. In addition to transmitting electrical signals between the surgical tool 100 and the tool holder 330, at least some of these electrical connections may be coupled to an adaptor memory device 344 (FIG. 8) by a circuit board of the adaptor 310.

[0206] In the embodiment of FIGS. 6-10, a detachable latch arrangement 346 is employed to releasably affix the adaptor 310 to the tool holder 330. As used herein, the term "tool drive assembly" when used in the context of the robotic system 10, at least encompasses the adapter 310 and tool holder 330 and which have been collectively generally designated as 110 in FIG. 6. As can be seen in FIG. 6, the tool holder 330 includes a first latch pin arrangement 337 that is sized to be received in corresponding clevis slots 311 provided in the adaptor 310. In addition, the tool holder 330 further has second latch pins 338 that are sized to be retained in corresponding latch clevises 313 in the adaptor 310. See FIG. 8. A latch assembly 315 is movably supported on the adapter 310 and has a pair of latch clevises 317 formed therein that is biasable from a first latched position wherein the latch pins 338 are retained within their respective latch clevis 313 and an unlatched position wherein the clevises 317 are aligned with clevises 313 to enable the second latch pins 338 may be inserted into or removed from the latch clevises 313. A spring or springs (not shown) are employed to bias the latch assembly into the latched position. A lip on the tool side 314 of adaptor 310 slidably receives laterally extending tabs of the tool mounting housing (not shown).

[0207] Referring now to FIG. 5 and 11-16, the tool mounting portion 300 operably supports a plurality of drive systems for generating various forms of control motions necessary to operate a

particular type of end effector that is coupled to the distal end of the elongate shaft assembly 200. As shown in FIGS. 5 and 11-13, the tool mounting portion 300 includes a first drive system generally designated as 350 that is configured to receive a corresponding “first” rotary output motion from the tool drive assembly 110 of the robotic system 10 and convert that first rotary output motion to a first rotary control motion to be applied to the surgical end effector. In the illustrated embodiment, the first rotary control motion is employed to rotate the elongate shaft assembly 200 (and surgical end effector 1000) about a longitudinal tool axis LT-LT.

[0208] In the embodiment of FIGS. 5 and 11-13, the first drive system 350 includes a tube gear segment 354 that is formed on (or attached to) the proximal end 208 of a proximal closure tube segment 202 of the elongate shaft assembly 200. The proximal end 208 of the proximal tube segment 202 is rotatably supported on the tool mounting plate 304 of the tool mounting portion 300 by a forward support cradle 352 that is mounted on the tool mounting plate 304. See FIG. 11. The tube gear segment 354 is supported in meshing engagement with a first rotational gear assembly 360 that is operably supported on the tool mounting plate 304. As can be seen in FIG. 11, the rotational gear assembly 360 comprises a first rotation drive gear 362 that is coupled to a corresponding first one of the driven discs or elements 306 on the holder side 316 of the tool mounting plate 304 when the tool mounting portion 300 is coupled to the tool drive assembly 110. See FIG. 10. The rotational gear assembly 360 further comprises a first rotary driven gear 364 that is rotatably supported on the tool mounting plate 304. The first rotary driven gear 364 is in meshing engagement with a second rotary driven gear 366 which, in turn, is in meshing engagement with the tube gear segment 354. Application of a first rotary output motion from the tool drive assembly 110 of the robotic system 10 to the corresponding driven element 306 will thereby cause rotation of the rotation drive gear 362. Rotation of the rotation drive gear 362 ultimately results in the rotation of the elongate shaft assembly 200 (and the surgical end effector 1000) about the longitudinal tool axis LT-LT (represented by arrow “R” in FIG. 5). It will be appreciated that the application of a rotary output motion from the tool drive assembly 110 in one direction will result in the rotation of the elongate shaft assembly 200 and surgical end effector 1000 about the longitudinal tool axis LT-LT in a first rotary direction and an application of the rotary output motion in an opposite direction will result in the rotation of the elongate shaft assembly 200 and surgical end effector 1000 in a second rotary direction that is opposite to the first rotary direction.

[0209] In embodiment of FIGS. 5 and 11-16, the tool mounting portion 300 further includes a second drive system generally designated as 370 that is configured to receive a corresponding “second” rotary output motion from the tool drive assembly 110 of the robotic system 10 and convert that second rotary output motion to a second rotary control motion for application to the surgical end effector. The second drive system 370 includes a second rotation drive gear 372 that is coupled to a corresponding second one of the driven discs or elements 306 on the holder side 316 of the tool mounting plate 304 when the tool mounting portion 300 is coupled to the tool drive assembly 110. See FIG. 10. The second drive system 370 further comprises a first rotary driven gear 374 that is rotatably supported on the tool mounting plate 304. The first rotary driven gear 374 is in meshing engagement with a shaft gear 376 that is movably and non-rotatably mounted onto a proximal drive shaft segment 380. In this illustrated embodiment, the shaft gear 376 is non-rotatably mounted onto the proximal drive shaft segment 380 by a series of axial keyways 384 that enable the shaft gear 376 to axially move on the proximal drive shaft segment 380 while being non-rotatably affixed thereto. Rotation of the proximal drive shaft segment 380 results in the transmission of a second rotary control motion to the surgical end effector 1000.

[0210] The second drive system 370 in the embodiment of FIG. 5 and 11-16 includes a shifting system 390 for selectively axially shifting the proximal drive shaft segment 380 which moves the shaft gear 376 into and out of meshing engagement with the first rotary driven gear 374. For example, as can be seen in FIGS. 11-13, the proximal drive shaft segment 380 is supported within a second support cradle 382 that is attached to the tool mounting plate 304 such that the proximal drive shaft segment 380 may move axially and rotate relative to the second support cradle 382. In at least one form, the shifting system 390 further includes a shifter yoke 392 that is slidably supported on the tool mounting plate 304. The proximal drive shaft segment 380 is supported in the shifter yoke 392 and has a pair of collars 386 thereon such that shifting of the shifter yoke 392 on the tool mounting plate 304 results in the axial movement of the proximal drive shaft segment 380. In at least one form, the shifting system 390 further includes a shifter solenoid 394 that operably interfaces with the shifter yoke 392. The shifter solenoid 394 receives control power from the robotic controller 12 such that when the shifter solenoid 394 is activated, the shifter yoke 392 is moved in the distal direction “DD”.

[0211] In this illustrated embodiment, a shaft spring 396 is journaled on the proximal drive shaft segment 380 between the shaft gear 376 and the second support cradle 382 to bias the shaft gear 376 in the proximal direction “PD” and into meshing engagement with the first rotary driven gear 374. See FIGS. 11, 13 and 14. Rotation of the second rotation drive gear 372 in response to rotary output motions generated by the robotic system 10 ultimately results in the rotation of the proximal drive shaft segment 380 and other drive shaft components coupled thereto (drive shaft assembly 388) about the longitudinal tool axis LT-LT. It will be appreciated that the application of a rotary output motion from the tool drive assembly 110 in one direction will result in the rotation of the proximal drive shaft segment 380 and ultimately of the other drive shaft components attached thereto in a first direction and an application of the rotary output motion in an opposite direction will result in the rotation of the proximal drive shaft segment 380 in a second direction that is opposite to the first direction. When it is desirable to shift the proximal drive shaft segment 380 in the distal direction “DD” as will be discussed in further detail below, the robotic controller 12 activates the shifter solenoid 390 to shift the shifter yoke 392 in the distal direction “DD”.

[0212] FIGS. 17 and 18 illustrate another embodiment that employs the same components of the embodiment depicted in FIGS. 5 and 11-16 except that this embodiment employs a battery-powered drive motor 400 for supplying rotary drive motions to the proximal drive shaft segment 380. Such arrangement enables the tool mounting portion to generate higher rotary output motions and torque which may be advantageous when different forms of end effectors are employed. As can be seen in those Figures, the motor 400 is attached to the tool mounting plate 304 by a support structure 402 such that a driver gear 404 that is coupled to the motor 400 is retained in meshing engagement with the shaft gear 376. In the embodiment of FIGS. 17 and 18, the support structure 402 is configured to removably engage latch notches 303 formed in the tool mounting plate 304 that are designed to facilitate attachment of a housing member (not shown) to the mounting plate 304 when the motor 400 is not employed. Thus, to employ the motor 400, the clinician removes the housing from the tool mounting plate 304 and then inserts the legs 403 of the support structure into the latch notches 303 in the tool mounting plate 304. The proximal drive shaft segment 380 and the other drive shaft components attached thereto are rotated about the longitudinal tool axis LT-LT by powering the motor 400. As illustrated, the motor 400 is battery powered. In such arrangement, however, the motor 400 interface with the robotic

controller 12 such that the robotic system 10 controls the activation of the motor 400. In alternative embodiments, the motor 400 is manually actuatable by an on/off switch (not shown) mounted on the motor 400 itself or on the tool mounting portion 300. In still other embodiments, the motor 400 may receive power and control signals from the robotic system.

[0213] The embodiment illustrated in FIGS. 5 and 11-16 includes a manually-actuatable reversing system, generally designated as 410, for manually applying a reverse rotary motion to the proximal drive shaft segment 380 in the event that the motor fails or power to the robotic system is lost or interrupted. Such manually-actuatable reversing system 410 may also be particularly useful, for example, when the drive shaft assembly 388 becomes jammed or otherwise bound in such a way that would prevent reverse rotation of the drive shaft components under the motor power alone. In the illustrated embodiment, the mechanically-actuatable reversing system 410 includes a drive gear assembly 412 that is selectively engagable with the second rotary driven gear 376 and is manually actuatable to apply a reversing rotary motion to the proximal drive shaft segment 380. The drive gear assembly 412 includes a reversing gear 414 that is movably mounted to the tool mounting plate 304. The reversing gear 414 is rotatably journaled on a pivot shaft 416 that is movably mounted to the tool mounting plate 304 through a slot 418. See FIG. 12. In the embodiment of FIGS. 5 and 11-16, the manually-actuatable reversing system 410 further includes a manually actuatable drive gear 420 that includes a body portion 422 that has an arcuate gear segment 424 formed thereon. The body portion 422 is pivotally coupled to the tool mounting plate 304 for selective pivotal travel about an actuator axis A-A (FIG. 11) that is substantially normal to the tool mounting plate 304.

[0214] FIGS. 11-14 depict the manually-actuatable reversing system 410 in a first unactuated position. In one exemplary form, an actuator handle portion 426 is formed on or otherwise attached to the body portion 422. The actuator handle portion 426 is sized relative to the tool mounting plate 304 such that a small amount of interference is established between the handle portion 426 and the tool mounting plate 304 to retain the handle portion 426 in the first unactuated position. However, when the clinician desires to manually actuate the drive gear assembly 412, the clinician can easily overcome the interference fit by applying a pivoting motion to the handle portion 426. As can also be seen in FIGS. 11-14, when the drive gear assembly 412 is in the first unactuated position, the arcuate gear segment 424 is out of meshing engagement with the reversing gear 414. When the clinician desires to apply a reverse rotary

drive motion to the proximal drive shaft segment 380, the clinician begins to apply a pivotal ratcheting motion to drive gear 420. As the drive gear 420 begins to pivot about the actuation axis A-A, a portion of the body 422 contacts a portion of the reversing gear 414 and axially moves the reversing gear 414 in the distal direction DD taking the drive shaft gear 376 out of meshing engagement with the first rotary driven gear 374 of the second drive system 370. See FIG. 15. As the drive gear 420 is pivoted, the arcuate gear segment 424 is brought into meshing engagement with the reversing gear 414. Continued ratcheting of the drive gear 420 results in the application of a reverse rotary drive motion to the drive shaft gear 376 and ultimately to the proximal drive shaft segment 380. The clinician may continue to ratchet the drive gear assembly 412 for as many times as are necessary to fully release or reverse the associated end effector component(s). Once a desired amount of reverse rotary motion has been applied to the proximal drive shaft segment 380, the clinician returns the drive gear 420 to the starting or unactuated position wherein the arcuate gear segment 416 is out of meshing engagement with the drive shaft gear 376. When in that position, the shaft spring 396 once again biases the shaft gear 376 into meshing engagement with first rotary driven gear 374 of the second drive system 370.

[0215] In use, the clinician may input control commands to the controller or control unit of the robotic system 10 which “robotically-generates” output motions that are ultimately transferred to the various components of the second drive system 370. As used herein, the terms “robotically-generates” or “robotically-generated” refer to motions that are created by powering and controlling the robotic system motors and other powered drive components. These terms are distinguishable from the terms “manually-actuatable” or “manually generated” which refer to actions taken by the clinician which result in control motions that are generated independent from those motions that are generated by powering the robotic system motors. Application of robotically-generated control motions to the second drive system in a first direction results in the application of a first rotary drive motion to the drive shaft assembly 388. When the drive shaft assembly 388 is rotated in a first rotary direction, the firing member 1200 is driven in the distal direction “DD” from its starting position toward its ending position in the end effector 1000. Application of robotically-generated control motions to the second drive system in a second direction results in the application of a second rotary drive motion to the drive shaft assembly 388. When the drive shaft assembly 388 is rotated in a second rotary direction, the firing member 1200 is driven in the proximal direction “PD” from its ending position toward its

starting position in the end effector 1000. When the clinician desires to manually-apply rotary control motion to the drive shaft assembly 388, the drive shaft assembly 388 is rotated in the second rotary direction which causes the firing member 1200 to move in the proximal direction “PD” in the end effector. Other embodiments containing the same components are configured such that the manual-application of a rotary control motion to the drive shaft assembly could cause the drive shaft assembly to rotate in the first rotary direction which could be used to assist the robotically-generated control motions to drive the firing member 1200 in the distal direction.

[0216] The drive shaft assembly that is used to fire, close and rotate the end effector can be actuated and shifted manually allowing the end effector to release and be extracted from the surgical site as well as the abdomen even in the event that the motor(s) fail, the robotic system loses power or other electronic failure occurs. Actuation of the handle portion 426 results in the manual generation of actuation or control forces that are applied to the drive shaft assembly 388’ by the various components of the manually-actuatable reversing system 410. If the handle portion 426 is in its unactuated state, it is biased out of actuatable engagement with the reversing gear 414. The beginning of the actuation of the handle portion 426 shifts the bias. The handle 426 is configured for repeated actuation for as many times as are necessary to fully release the firing member 1200 and the end effector 1000.

[0217] As illustrated in FIGS. 5 and 11-16, the tool mounting portion 300 includes a third drive system 430 that is configured to receive a corresponding “third” rotary output motion from the tool drive assembly 110 of the robotic system 10 and convert that third rotary output motion to a third rotary control motion. The third drive system 430 includes a third drive pulley 432 that is coupled to a corresponding third one of the driven discs or elements 306 on the holder side 316 of the tool mounting plate 304 when the tool mounting portion 300 is coupled to the tool drive assembly 110. See FIG. 10. The third drive pulley 432 is configured to apply a third rotary control motion (in response to corresponding rotary output motions applied thereto by the robotic system 10) to a corresponding third drive cable 434 that may be used to apply various control or manipulation motions to the end effector that is operably coupled to the shaft assembly 200. As can be most particularly seen in FIGS. 11 and 12, the third drive cable 434 extends around a third drive spindle assembly 436. The third drive spindle assembly 436 is pivotally mounted to the tool mounting plate 304 and a third tension spring 438 is attached between the third drive spindle assembly 436 and the tool mounting plate 304 to maintain a desired amount of tension in the

third drive cable 434. As can be seen in the Figures, cable end portion 434A of the third drive cable 434 extends around an upper portion of a pulley block 440 that is attached to the tool mounting plate 304 and cable end portion 434B extends around a sheave pulley or standoff 442 on the pulley block 440. It will be appreciated that the application of a third rotary output motion from the tool drive assembly 110 in one direction will result in the rotation of the third drive pulley 432 in a first direction and cause the cable end portions 434A and 434B to move in opposite directions to apply control motions to the end effector 1000 or elongate shaft assembly 200 as will be discussed in further detail below. That is, when the third drive pulley 432 is rotated in a first rotary direction, the cable end portion 434A moves in a distal direction “DD” and cable end portion 434B moves in a proximal direction “PD”. Rotation of the third drive pulley 432 in an opposite rotary direction result in the cable end portion 434A moving in a proximal direction “PD” and cable end portion 434B moving in a distal direction “DD”.

[0218] The tool mounting portion 300 illustrated in FIGS. 5 and 11-16 includes a fourth drive system 450 that is configured to receive a corresponding “fourth” rotary output motion from the tool drive assembly 110 of the robotic system 10 and convert that fourth rotary output motion to a fourth rotary control motion. The fourth drive system 450 includes a fourth drive pulley 452 that is coupled to a corresponding fourth one of the driven discs or elements 306 on the holder side 316 of the tool mounting plate 304 when the tool mounting portion 300 is coupled to the tool drive assembly 110. See FIG. 10. The fourth drive pulley 452 is configured to apply a fourth rotary control motion (in response to corresponding rotary output motions applied thereto by the robotic system 10) to a corresponding fourth drive cable 454 that may be used to apply various control or manipulation motions to the end effector that is operably coupled to the shaft assembly 200. As can be most particularly seen in FIGS. 11 and 12, the fourth drive cable 454 extends around a fourth drive spindle assembly 456. The fourth drive spindle assembly 456 is pivotally mounted to the tool mounting plate 304 and a fourth tension spring 458 is attached between the fourth drive spindle assembly 456 and the tool mounting plate 304 to maintain a desired amount of tension in the fourth drive cable 454. Cable end portion 454A of the fourth drive cable 454 extends around a bottom portion of the pulley block 440 that is attached to the tool mounting plate 304 and cable end portion 454B extends around a sheave pulley or fourth standoff 462 on the pulley block 440. It will be appreciated that the application of a rotary output motion from the tool drive assembly 110 in one direction will result in the rotation of the

fourth drive pulley 452 in a first direction and cause the cable end portions 454A and 454B to move in opposite directions to apply control motions to the end effector or elongate shaft assembly 200 as will be discussed in further detail below. That is, when the fourth drive pulley 434 is rotated in a first rotary direction, the cable end portion 454A moves in a distal direction “DD” and cable end portion 454B moves in a proximal direction “PD”. Rotation of the fourth drive pulley 452 in an opposite rotary direction result in the cable end portion 454A moving in a proximal direction “PD” and cable end portion 454B to move in a distal direction “DD”.

[0219] The surgical tool 100 as depicted in FIG. 5 includes an articulation joint 700. In such embodiment, the third drive system 430 may also be referred to as a “first articulation drive system” and the fourth drive system 450 may be referred to herein as a “second articulation drive system”. Likewise, the third drive cable 434 may be referred to as a “first proximal articulation cable” and the fourth drive cable 454 may be referred to herein as a “second proximal articulation cable”.

[0220] The tool mounting portion 300 of the embodiment illustrated in FIGS. 5 and 11-16 includes a fifth drive system generally designated as 470 that is configured to axially displace a drive rod assembly 490. The drive rod assembly 490 includes a proximal drive rod segment 492 that extends through the proximal drive shaft segment 380 and the drive shaft assembly 388. See FIG. 13. The fifth drive system 470 includes a movable drive yoke 472 that is slidably supported on the tool mounting plate 304. The proximal drive rod segment 492 is supported in the drive yoke 372 and has a pair of retainer balls 394 thereon such that shifting of the drive yoke 372 on the tool mounting plate 304 results in the axial movement of the proximal drive rod segment 492. In at least one exemplary form, the fifth drive system 370 further includes a drive solenoid 474 that operably interfaces with the drive yoke 472. The drive solenoid 474 receives control power from the robotic controller 12. Actuation of the drive solenoid 474 in a first direction will cause the drive rod assembly 490 to move in the distal direction “DD” and actuation of the drive solenoid 474 in a second direction will cause the drive rod assembly 490 to move in the proximal direction “PD”. As can be seen in FIG. 5, the end effector 1000 includes an anvil portion that is movable between open and closed positions upon application of axial closure motions to a closure system. In the illustrated embodiment of FIGS. 5 and 11-16, the fifth drive system 470 is employed to generate such closure motions. Thus, the fifth drive system 470 may also be referred to as a “closure drive”.

[0221] The embodiment depicted in FIG. 5, includes a surgical end effector 1000 that is attached to the tool mounting portion 300 by the elongate shaft assembly 200. In that illustrated embodiment, the elongate shaft assembly includes a coupling arrangement in the form of a quick disconnect arrangement or joint 210 that facilitates quick attachment of a distal portion 230 of the shaft assembly 200 to a proximal shaft portion 201 of the shaft assembly 200. The quick disconnect joint 210 serves to facilitate the quick attachment and detachment of a plurality of drive train components used to provide control motions from a source of drive motions to an end effector that is operably coupled thereto. In the embodiment illustrated in FIGS. 5 and 19, for example, the quick disconnect joint 210 is employed to couple a distal shaft portion 230 of end effector 1000 to a proximal shaft portion 201.

[0222] Referring now to FIGS. 19-23, the coupling arrangement or quick disconnect joint 210 includes a proximal coupler member 212 that is configured to operably support proximal drive train assemblies and a distal coupler member 232 that is configured to operably support at least one and preferably a plurality of distal drive train assemblies. In the embodiment of FIGS. 5 and 19, the third drive system 430 (i.e., a first articulation drive system) and the fourth drive system 450 (i.e., a second articulation drive system) are employed to apply articulation motions to the articulation joint 700. For example, the third drive system 430 serves to apply control motions to the first proximal articulation cable 434 that has cable end portions 434A, 434B to articulate the end effector 1000 in first and second articulation directions about the articulation joint 700. Likewise, the fourth drive system 450 serves to apply control motions to the second proximal articulation cable 454 that has cable end portions 454A, 454B to articulate the end effector 1000 in the third and fourth articulation directions.

[0223] Referring to FIG. 20, the proximal coupler member 212 has a first pair of diametrically-opposed first slots 214 therein and a second pair of diametrically-opposed second slots 218 therein (only one slot 218 can be seen in FIG. 20). A first proximal articulation formation or link 222 is supported in each of the opposed first slots 214. A second proximal articulation formation or link 226 is supported in each of the second slots 218. The cable end portion 434A extends through a slot in one of the proximal articulation links 222 and is attached thereto. Likewise, the cable end portion 434B extends through a slot in the other proximal articulation link 222 and is attached thereto. Cable end portion 434A and its corresponding proximal articulation formation or link 222 and cable end portion 434B and its corresponding proximal articulation formation or

link 222 are collectively referred to as a “first proximal articulation drive train assembly” 217. The end cable portion 454A extends through a slot in one of the proximal articulation links 226 and is attached thereto. The cable end portion 454B extends through a slot in the other proximal articulation link 226 and is attached thereto. Cable end portion 454A and its corresponding proximal articulation formation or link 226 and the cable end portion 454B and its corresponding proximal articulation formation or link 226 are collectively referred to as a “second proximal articulation drive train assembly” 221.

[0224] As can be seen in FIG. 21, the distal shaft portion 230 includes a distal outer tube portion 231 that supports the distal coupler member 232. The distal coupler member 232 has a first pair of diametrically opposed first slots 234 therein and a second pair of diametrically opposed second slots 238 therein. See FIG. 20. A first pair of distal articulation formations or links 242 are supported in the opposed first slots 234. A second pair of distal articulation formations or links 246 are supported in the second pair of slots 238. A first distal cable segment 444 extends through one of the first slots 234 and a slot in one of the distal articulation links 242 to be attached thereto. A primary distal cable segment 445 extends through the other one of the first slots 234 and through a slot in the other distal articulation link 242 and to be attached thereto. The first distal cable segment 444 and its corresponding distal articulation link 242 and the primary distal cable segment 445 and its corresponding distal articulation link 242 are collectively referred to as a “first distal articulation drive train assembly” 237. A second distal cable segment 446 extends through one of the second slots 238 and a slot in one of the distal articulation links 246 and to be attached thereto. A secondary distal cable segment 447 extends through the other second slot 238 and through a slot in the other distal articulation link 246 to be attached thereto. The second distal cable segment 446 and its corresponding distal articulation link 246 and the secondary distal cable segment 447 and its corresponding distal articulation link 246 are collectively referred to as a “second distal articulation drive train assembly” 241.

[0225] Each of the proximal articulation links 222 has a toothed end 224 formed on a spring arm portion 223 thereof. Each proximal articulation link 226 has a toothed end 227' formed on a spring arm portion 227. Each distal articulation link 242 has a toothed end 243 that is configured to be meshingly coupled with the toothed end 224 of a corresponding one of the proximal articulation links 222. Each distal articulation link 246 has a toothed end 247 that is configured to be meshingly coupled with the toothed end 228 of a corresponding proximal articulation link

226. When the proximal articulation formations or links 222, 226 are meshingly linked with the distal articulation links 242, 246, respectively, the first and second proximal articulation drive train assemblies 217 and 221 are operably coupled to the first and second distal articulation drive train assemblies 237 and 241, respectively. Thus, actuation of the third and fourth drive systems 430, 450 will apply actuation motions to the distal cable segments 444, 445, 446, 447 as will be discussed in further detail below.

[0226] In the embodiment of FIGS. 19-23, a distal end 250 of proximal outer tube segment 202 has a series of spring fingers 252 therein that extend distally into slots 254 configured to receive corresponding spring arm portions 223, 227 therein. See FIG. 21 (spring arm portion 227 is not depicted in FIG. 21 but can be seen in FIG. 20). Each spring finger 252 has a detent 256 therein that is adapted to engage corresponding dimples 258 formed in the proximal articulation links 222, 226 when the proximal articulation links 222, 226 are in the neutral position (FIG. 23). When the clinician desires to remove or attach an end effector 1000 to the proximal shaft portion 201, the third and fourth drive systems 430, 450 are parked in their neutral unactuated positions.

[0227] The proximal coupler member 212 and the distal coupler member 232 of the quick disconnect joint 210 operably support corresponding portions of a drive member coupling assembly 500 for releasably coupling the proximal drive rod segment 492 to a distal drive rod segment 520. The proximal drive rod segment 492 comprises a proximal axial drive train assembly 496 and the distal drive rod segment 520 comprises a distal axial drive train assembly 528. The drive member coupling assembly 500 comprises a drive rod coupler or formation 502 that comprises a receiving formation or first magnet 504 such as, for example, a rare earth magnet, etc. that is attached to the distal end 493 of the distal drive rod segment 520. The first magnet 504 has a receiving cavity 506 formed therein for receiving a second formation or distal magnet 510. As can be seen in FIG. 21, the distal magnet 510 is attached to a tapered mounting member 512 that is attached to a proximal end 522 of the distal drive rod 520.

[0228] The proximal coupler member 212 and the distal coupler member 232 of the quick disconnect joint 210 operably support other corresponding portions of a drive member coupling assembly 500 for releasably coupling the proximal drive shaft segment 380 with a distal drive shaft segment 540. The proximal drive shaft segment 380, in at least one exemplary form, comprises a proximal rotary drive train assembly 387 and the distal drive shaft segment 540 comprises a distal rotary drive train assembly 548. When the proximal rotary drive train

assembly 387 is operably coupled to the distal rotary drive train assembly 548, the drive shaft assembly 388 is formed to transmit rotary control motions to the end effector 1000. In the illustrated exemplary embodiment, a proximal end 542 of the distal drive shaft segment 540 has a plurality (e.g., four – only two can be seen in FIG. 21) formations or cleated fingers 544 formed thereon. Each cleated finger 544 has an attachment cleat 546 formed thereon that are sized to be received in corresponding lock formations or holes or slots 383 in a distal end 381 of the proximal drive shaft segment 380. The fingers 544 extend through a reinforcing ring 545 journaled onto the proximal end 542 of the distal drive shaft segment 540.

[0229] In the embodiment depicted in FIGS. 19-23, the drive member coupling assembly 500 further includes an unlocking tube 514 for assisting in the disengagement of the first and second magnets 504, 510 when the clinician detaches the end effector 1000 from the proximal shaft portion 201 of the surgical tool 100. The unlocking tube 514 extends through the proximal drive shaft segment 380 and its proximal end 517 protrudes out of the proximal end 385 of the proximal drive shaft segment 380 as shown in FIG. 19. The unlocking tube 514 is sized relative to the proximal drive shaft segment 380 so as to be axially movable therein upon application of an unlocking motion “UL” applied to the proximal end 517 thereof. A handle (not shown) is attached to the proximal end 517 of the unlocking tube to facilitate the manual application of the unlocking motion “UL” to the unlocking tube 514 or the unlocking motion “UL”. Other embodiments that are otherwise identical to the embodiment of FIGS. 19-23 employ an unlocking solenoid (not shown) that is attached to the tool mounting plate 304 and powered by the robotic controller 12 or a separate battery attached thereto is employed to apply the unlocking motion.

[0230] In the illustrated exemplary embodiment, the coupling arrangement or quick disconnect joint 210 also includes an outer lock collar 260 that is slidably journaled on the distal end 204 of the proximal outer tube portion 202. The outer lock collar 260 has four inwardly extending detents 262 that extend into a corresponding one of the slots 254 in the proximal outer tube portion 202. Use of the quick disconnect joint 210 can be understood from reference to FIGS. 21-23. FIG. 21 illustrates the conditions of the proximal shaft portion 201 and the distal shaft portion 230 prior to being coupled together. As can be seen in that Figure, the spring arm portions 223, 227 of the proximal articulation links 224, 226, respectively are naturally radially sprung outward. The locking collar 260 is moved to its proximal-most position on the proximal

outer tube 202 wherein the detents 262 are at the proximal end of the slots 254 therein. When the clinician desires to attach the end effector 1000 to the proximal shaft portion 201 of the surgical tool 100, the clinician brings the distal shaft portion 230 into axial alignment and coupling engagement with the proximal shaft portion 201 as shown in FIG. 22. As can be seen in that Figure, the distal magnet 510 is seated within the cavity 506 in the drive rod coupler 502 and is magnetically attached to the proximal magnet 504 to thereby couple the distal drive rod segment 520 to the proximal drive rod segment 492. Such action thereby operably couples the distal axial drive train assembly 528 to the proximal axial drive train assembly 496. In addition, as the shaft portions 201, 230 are joined together, the cleated fingers 544 flex inward until the cleats 546 formed thereon enter the lock openings 383 in the distal end portion 381 of the proximal drive shaft segment 380. When the cleats 546 are seated within their respective locking holes 383, the distal drive shaft segment 540 is coupled to the proximal drive shaft segment 380. Thus, such action thereby operably couples the distal rotary drive train assembly 548 to the proximal rotary drive train assembly 387. As such, when distal coupler member 232 and the proximal coupler member 212 are brought into axial alignment and engagement in the manner described above and the locking collar 260 is moved to its proximal-most position on the proximal outer tube 202, the distal drive train assemblies are operably coupled to the proximal drive train assemblies.

[0231] When the clinician desires to detach the end effector 1000 from the proximal shaft portion 201 of the surgical tool 100, the clinician returns the third and fourth drive systems 430, 450 into their neutral positions. The clinician may then slide the locking collar 260 proximally on the proximal outer tube segment 202 into the starting position shown in FIG. 22. When in that position, the spring arm portions of the proximal articulation links 222, 226 cause the toothed portions thereof to disengage the toothed portions of the distal articulation links 242, 246. The clinician may then apply an unlocking motion UL to the proximal end 517 of the unlocking tube 514 to move the unlocking tube 514 and the unlocking collar 516 attached thereto in the distal direction "DD". As the unlocking collar 516 moves distally, it biases the cleated fingers 544 out of engagement with their respective holes 383 in the distal end portion 381 of the proximal drive shaft segment 380 and contacts the tapered mounting portion 512 to force the distal magnet 510 out of magnetic engagement with the proximal magnet 504.

[0232] FIGS. 22A, 23A and 23B depict an alternative coupling arrangement or quick disconnect joint assembly 210' that is similar to the quick disconnect joint 210 described above except that an electromagnet 504' is employed to couple the distal drive rod segment 520 to the proximal drive rod segment 492'. As can be seen in these Figures, the proximal drive rod segment 492' is hollow to accommodate conductors 505 that extend from a source of electrical power in the robotic system 10. The conductors 505 are wound around a piece of iron 508. When the clinician brings the distal shaft portion 230 into engagement with the proximal shaft portion 201 as shown in FIG. 22A, electrical current may be passed through the conductors 505 in a first direction to cause the magnet 504' to attract the magnet 510 into coupling engagement as shown in FIG. 23A. When the clinician desires to detach the end effector 1000 from the proximal shaft portion 201 of the surgical tool 100, the clinician returns the third and fourth drive systems 430, 450 into their neutral positions. The clinician may then slide the locking collar 260 proximally on the proximal outer tube segment 202 into the starting position shown in FIG. 22A. When in that position, the spring arm portions of the proximal articulation links 222, 226 cause the toothed portions thereof to disengage the toothed portions of the distal articulation links 242, 246. The clinician may then apply an unlocking motion UL to the proximal end 517 of the unlocking tube 514 to move the unlocking tube 514 and the unlocking collar 516 attached thereto in the distal direction "DD". In addition, the electrical current may be passed through the conductors 505 in an opposite direction to cause the electromagnet 504' to repel magnet 510 to assist in separating the shaft segments. As the clinician moves the unlocking tube distally, the unlocking collar 516 biases the cleated fingers 544 out of engagement with their respective holes 383 in the distal end portion 381 of the proximal drive shaft segment 380 and contacts the tapered mounting portion 512 to further separate the shaft segments.

[0233] The coupling arrangements or quick detach joint assemblies described above may offer many advantages. For example, such arrangements may employ a single release/engagement motions that cannot be left semi-engaged. Such engagement motions can be employed to simultaneously operably couple several drive train assemblies wherein at least some drive train assemblies provide control motions that differ from the control motions provided by other drive train assemblies. For example, some drive trains may provide rotary control motions and be longitudinally shiftable to provide axial control motions and some may just provide rotary or axial control motions. Other drive train assemblies may provide push/pull motions for operating

various end effector systems/components. The unique and novel locking collar arrangement ensures that either the distal drive train assemblies are locked to their respective proximal drive train assemblies or they are unlocked and may be detached therefrom. When locked together, all of the drive train assemblies are radially supported by the locking collar which prevents any uncoupling.

[0234] The surgical tool 100 depicted in FIGS. 5 and 11-16 includes an articulation joint 700 that cooperates with the third and fourth drive systems 430, 450, respectively for articulating the end effector 1000 about the longitudinal tool axis "LT". The articulation joint 700 includes a proximal socket tube 702 that is attached to the distal end 233 of the distal outer tube portion 231 and defines a proximal ball socket 704 therein. See FIG. 25. A proximal ball member 706 is movably seated within the proximal ball socket 704. As can be seen in FIG. 25, the proximal ball member 706 has a central drive passage 708 that enables the distal drive shaft segment 540 to extend therethrough. In addition, the proximal ball member 706 has four articulation passages 710 therein which facilitate the passage of distal cable segments 444, 445, 446, 447 therethrough. As can be further seen in FIG. 25, the articulation joint 700 further includes an intermediate articulation tube segment 712 that has an intermediate ball socket 714 formed therein. The intermediate ball socket 714 is configured to movably support therein an end effector ball 722 formed on an end effector connector tube 720. The distal cable segments 444, 445, 446, 447 extend through cable passages 724 formed in the end effector ball 722 and are attached thereto by lugs 726 received within corresponding passages 728 in the end effector ball 722. Other attachment arrangements may be employed for attaching distal cable segments 444, 445, 446, 447 to the end effector ball 722.

[0235] A unique and novel rotary support joint assembly, generally designated as 740, is depicted in FIGS. 26 and 27. The illustrated rotary support joint assembly 740 includes a connector portion 1012 of the end effector drive housing 1010 that is substantially cylindrical in shape. A first annular race 1014 is formed in the perimeter of the cylindrically-shaped connector portion 1012. The rotary support joint assembly 740 further comprises a distal socket portion 730 that is formed in the end effector connector tube 720 as shown in FIGS. 26 and 27. The distal socket portion 730 is sized relative to the cylindrical connector portion 1012 such that the connector portion 1012 can freely rotate within the socket portion 730. A second annular race 732 is formed in an inner wall 731 of the distal socket portion 730. A window 733 is provided

through the distal socket 730 that communicates with the second annular race 732 therein. As can also be seen in FIGS. 26 and 27, the rotary support joint assembly 740 further includes a ring-like bearing 734. In various exemplary embodiments, the ring-like bearing 734 comprises a plastic deformable substantially-circular ring that has a cut 735 therein. The cut forms free ends 736, 737 in the ring-like bearing 734. As can be seen in FIG. 26, the ring-like bearing 734 has a substantially annular shape in its natural unbiased state.

[0236] To couple a surgical end effector 1000 (e.g., a first portion of a surgical instrument) to the articulation joint 700 (e.g., a second portion of a surgical instrument), the cylindrically shaped connector position 1012 is inserted into the distal socket portion 730 to bring the second annular race 732 into substantial registry with the first annular race 1014. One of the free ends 736, 737 of the ring-like bearing is then inserted into the registered annular races 1014, 732 through the window 733 in the distal socket portion 730 of the end effector connector tube 720. To facilitate easy insertion, the window or opening 733 has a tapered surface 738 formed thereon. See FIG. 26. The ring-like bearing 734 is essentially rotated into place and, because it tends to form a circle or ring, it does not tend to back out through the window 733 once installed. Once the ring-like bearing 734 has been inserted into the registered annular races 1014, 732, the end effector connector tube 720 will be rotatably affixed to the connector portion 1012 of the end effector drive housing 1010. Such arrangement enables the end effector drive housing 1010 to rotate about the longitudinal tool axis LT-LT relative to the end effector connector tube 720. The ring-like bearing 734 becomes the bearing surface that the end effector drive housing 1010 then rotates on. Any side loading tries to deform the ring-like bearing 734 which is supported and contained by the two interlocking races 1014, 732 preventing damage to the ring-like bearing 734. It will be understood that such simple and effective joint assembly employing the ring-like bearing 734 forms a highly lubricious interface between the rotatable portions 1010, 730. If during assembly, one of the free ends 736, 737 is permitted to protrude out through the window 733 (see e.g., FIG. 27), the rotary support joint assembly 740 may be disassembled by withdrawing the ring-like bearing member 732 out through the window 733. The rotary support joint assembly 740 allows for easy assembly and manufacturing while also providing for good end effector support while facilitating rotary manipulation thereof.

[0237] The articulation joint 700 facilitates articulation of the end effector 1000 about the longitudinal tool axis LT. For example, when it is desirable to articulate the end effector 1000 in

a first direction “FD” as shown in FIG. 5, the robotic system 10 may power the third drive system 430 such that the third drive spindle assembly 436 (FIGS. 11-13) is rotated in a first direction thereby drawing the proximal cable end portion 434A and ultimately distal cable segment 444 in the proximal direction “PD” and releasing the proximal cable end portion 434B and distal cable segment 445 to thereby cause the end effector ball 722 to rotate within the socket 714. Likewise, to articulate the end effector 1000 in a second direction “SD” opposite to the first direction FD, the robotic system 10 may power the third drive system 430 such that the third drive spindle assembly 436 is rotated in a second direction thereby drawing the proximal cable end portion 434B and ultimately distal cable segment 445 in the proximal direction “PD” and releasing the proximal cable end portion 434A and distal cable segment 444 to thereby cause the end effector ball 722 to rotate within the socket 714. When it is desirable to articulate the end effector 1000 in a third direction “TD” as shown in FIG. 5, the robotic system 10 may power the fourth drive system 450 such that the fourth drive spindle assembly 456 is rotated in a third direction thereby drawing the proximal cable end portion 454A and ultimately distal cable segment 446 in the proximal direction “PD” and releasing the proximal cable end portion 454B and distal cable segment 447 to thereby cause the end effector ball 722 to rotate within the socket 714. Likewise, to articulate the end effector 1000 in a fourth direction “FTH” opposite to the third direction TD, the robotic system 10 may power the fourth drive system 450 such that the fourth drive spindle assembly 456 is rotated in a fourth direction thereby drawing the proximal cable end portion 454B and ultimately distal cable segment 447 in the proximal direction “PD” and releasing the proximal cable end portion 454A and distal cable segment 446 to thereby cause the end effector ball 722 to rotate within the socket 714.

[0238] The end effector embodiment depicted in FIGS. 5 and 11-16 employs rotary and longitudinal motions that are transmitted from the tool mounting portion 300 through the elongate shaft assembly for actuation. The drive shaft assembly employed to transmit such rotary and longitudinal motions (e.g., torsion, tension and compression motions) to the end effector is relatively flexible to facilitate articulation of the end effector about the articulation joint. FIGS. 28 and 29 illustrate an alternative drive shaft assembly 600 that may be employed in connection with the embodiment illustrated in FIG. 5 and 11-16 or in other embodiments. In the embodiment depicted in FIG. 5 which employs the quick disconnect joint 210, the proximal drive shaft segment 380 comprises a segment of drive shaft assembly 600 and the distal drive

shaft segment 540 similarly comprises another segment of drive shaft assembly 600. The drive shaft assembly 600 includes a drive tube 602 that has a series of annular joint segments 604 cut therein. In that illustrated embodiment, the drive tube 602 comprises a distal portion of the proximal drive shaft segment 380.

[0239] The drive tube 602 comprises a hollow metal tube (stainless steel, titanium, etc.) that has a series of annular joint segments 604 formed therein. The annular joint segments 604 comprise a plurality of loosely interlocking dovetail shapes 606 that are, for example, cut into the drive tube 602 by a laser and serve to facilitate flexible movement between the adjoining joint segments 604. See FIG. 29. Such laser cutting of a tube stock creates a flexible hollow drive tube that can be used in compression, tension and torsion. Such arrangement employs a full diametric cut that is interlocked with the adjacent part via a “puzzle piece” configuration. These cuts are then duplicated along the length of the hollow drive tube in an array and are sometimes “clocked” or rotated to change the tension or torsion performance.

[0240] FIGS. 30-34 illustrate alternative exemplary micro-annular joint segments 604' that comprise plurality of laser cut shapes 606' that roughly resemble loosely interlocking, opposed “T” shapes and T-shapes with a notched portion therein. The annular joint segments 604, 604' essentially comprise multiple micro-articulating torsion joints. That is, each joint segment 604, 604' can transmit torque while facilitating relative articulation between each annular joint segment. As shown in FIGS. 30 and 31, the joint segment 604D' on the distal end 603 of the drive tube 602 has a distal mounting collar portion 608D that facilitates attachment to other drive components for actuating the end effector or portions of the quick disconnect joint, etc. and the joint segment 604P' on the proximal end 605 of the drive tube 602 has a proximal mounting collar portion 608P' that facilitates attachment to other proximal drive components or portions of the quick disconnect joint.

[0241] The joint-to-joint range of motion for each particular drive shaft assembly 600 can be increased by increasing the spacing in the laser cuts. For example, to ensure that the joint segments 604' remain coupled together without significantly diminishing the drive tube's ability to articulate through desired ranges of motion, a secondary constraining member 610 is employed. In the embodiment depicted in FIGS. 32 and 33, the secondary constraining member 610 comprises a spring 612 or other helically-wound member. In various exemplary embodiments, the distal end 614 of the spring 612 corresponds to the distal mounting collar

portion 608D and is wound tighter than the central portion 616 of the spring 612. Similarly, the proximal end 618 of the spring 612 is wound tighter than the central portion 616 of the spring 612. In other embodiments, the constraining member 610 is installed on the drive tube 602 with a desired pitch such that the constraining member also functions, for example, as a flexible drive thread for threadably engaging other threaded control components on the end effector and/or the control system. It will also be appreciated that the constraining member may be installed in such a manner as to have a variable pitch to accomplish the transmission of the desired rotary control motions as the drive shaft assembly is rotated. For example, the variable pitch arrangement of the constraining member may be used to enhance open/close and firing motions which would benefit from differing linear strokes from the same rotation motion. In other embodiments, for example, the drive shaft assembly comprises a variable pitch thread on a hollow flexible drive shaft that can be pushed and pulled around a ninety degree bend. In still other embodiments, the secondary constraining member comprises an elastomeric tube or coating 611 applied around the exterior or perimeter of the drive tube 602 as illustrated in FIG. 34A. In still another embodiment, for example, the elastomeric tube or coating 611' is installed in the hollow passageway 613 formed within the drive tube 602 as shown in FIG. 34B.

[0242] Such drive shaft arrangements comprise a composite torsional drive axle which allows superior load transmission while facilitating a desirable axial range of articulation. See, e.g., FIGS. 34 and 34A-B. That is, these composite drive shaft assemblies allow a large range of motion while maintaining the ability to transmit torsion in both directions as well as facilitating the transmission of tension and compression control motions therethrough. In addition, the hollow nature of such drive shaft arrangements facilitate passage of other control components therethrough while affording improved tension loading. For example, some other embodiments include a flexible internal cable that extends through the drive shaft assembly which can assist in the alignment of the joint segments while facilitating the ability to apply tension motions through the drive shaft assembly. Moreover, such drive shaft arrangements are relatively easily to manufacture and assemble.

[0243] FIGS. 35-38 depict a segment 620 of a drive shaft assembly 600'. This embodiment includes joint segments 622, 624 that are laser cut out of tube stock material (e.g., stainless steel, titanium, polymer, etc.). The joint segments 622, 624 remain loosely attached together because the cuts 626 are radial and are somewhat tapered. For example, each of the lug portions 628 has

a tapered outer perimeter portion 629 that is received within a socket 630 that has a tapered inner wall portion. See, e.g., FIGS. 36 and 38. Thus, there is no assembly required to attach the joint segments 622, 624 together. As can be seen in the Figures, joint segment 622 has opposing pivot lug portions 628 cut on each end thereof that are pivotally received in corresponding sockets 630 formed in adjacent joint segments 624.

[0244] FIGS. 35-38 illustrate a small segment of the drive shaft assembly 600'. Those of ordinary skill in the art will appreciate that the lugs/sockets may be cut throughout the entire length of the drive shaft assembly. That is, the joint segments 624 may have opposing sockets 630 cut therein to facilitate linkage with adjoining joint segments 622 to complete the length of the drive shaft assembly 600'. In addition, the joint segments 624 have an angled end portion 632 cut therein to facilitate articulation of the joint segments 624 relative to the joint segments 622 as illustrated in FIGS. 37 and 38. In the illustrated embodiment, each lug 628 has an articulation stop portion 634 that is adapted to contact a corresponding articulation stop 636 formed in the joint segment 622. See FIGS. 37 and 38. Other embodiments, which may otherwise be identical to the segment 620, are not provided with the articulation stop portions 634 and stops 636.

[0245] As indicated above, the joint-to-joint range of motion for each particular drive shaft assembly can be increased by increasing the spacing in the laser cuts. In such embodiments, to ensure that the joint segments 622, 624 remain coupled together without significantly diminishing the drive tube's ability to articulate through desired ranges of motion, a secondary constraining member in the form of an elastomeric sleeve or coating 640 is employed. Other embodiments employ other forms of constraining members disclosed herein and their equivalent structures. As can be seen in FIG. 35, the joint segments 622, 624 are capable of pivoting about pivot axes "PA-PA" defined by the pivot lugs 628 and corresponding sockets 630. To obtain an expanded range of articulation, the drive shaft assembly 600' may be rotated about the tool axis TL-TL while pivoting about the pivot axes PA-PA.

[0246] FIGS. 39-44 depict a segment 640 of another drive shaft assembly 600". The drive shaft assembly 600" comprises a multi-segment drive system that includes a plurality of interconnected joint segments 642 that form a flexible hollow drive tube 602". A joint segment 642 includes a ball connector portion 644 and a socket portion 648. Each joint segment 642 may be fabricated by, for example, metal injection molding "MIM" and be fabricated from 17-4, 17-

7, 420 stainless steel. Other embodiments may be machined from 300 or 400 series stainless steel, 6065 Or 7071 aluminum or titanium. Still other embodiments could be molded out of plastic infilled or unfilled Nylon, Ultem, ABS, Polycarbonate or Polyethylene, for example. As can be seen in the Figures, the ball connector 644 is hexagonal in shape. That is, the ball connector 644 has six arcuate surfaces 646 formed thereon and is adapted to be rotatably received in like-shaped sockets 650. Each socket 650 has a hexagonally-shaped outer portion 652 formed from six flat surfaces 654 and a radially-shaped inner portion 656. See FIG. 42. Each joint segment 642 is identical in construction, except that the socket portions of the last joint segments forming the distal and proximal ends of the drive shaft assembly 600 may be configured to operably mate with corresponding control components. Each ball connector 644 has a hollow passage 645 therein that cooperate to form a hollow passageway 603 through the hollow flexible drive tube 602”.

[0247] As can be seen in FIGS. 43 and 44, the interconnected joint segments 642 are contained within a constraining member 660 which comprises a tube or sleeve fabricated from a flexible polymer material, for example. FIG. 45 illustrates a flexible inner core member 662 extending through the interconnected joint segments 642. The inner core member 662 comprises a solid member fabricated from a polymer material or a hollow tube or sleeve fabricated from a flexible polymer material. FIG. 46 illustrates another embodiment wherein a constraining member 660 and an inner core member 662 are both employed.

[0248] Drive shaft assembly 600” facilitates transmission of rotational and translational motion through a variable radius articulation joint. The hollow nature of the drive shaft assembly 600” provides room for additional control components or a tensile element (e.g., a flexible cable) to facilitate tensile and compressive load transmission. In other embodiments, however, the joint segments 624 do not afford a hollow passage through the drive shaft assembly. In such embodiments, for example, the ball connector portion is solid. Rotary motion is translated via the edges of the hexagonal surfaces. Tighter tolerances may allow greater load capacity. Using a cable or other tensile element through the centerline of the drive shaft assembly 600”, the entire drive shaft assembly 600” can be rotated bent, pushed and pulled without limiting range of motion. For example, the drive shaft assembly 600” may form an arcuate drive path, a straight drive path, a serpentine drive path, etc.

[0249] FIGS. 5 and 47-54 illustrate one surgical end effector 1000 that may be effectively employed with the robotic system 10. The end effector 1000 comprises an endocutter 1002 that has a first jaw 1004 and a second jaw 1006 that is selectively movable relative to the first jaw 1004. In the embodiment illustrated in FIGS. 5 and 47-54, the first jaw 1004 comprises a support member 1019 in the form of an elongate channel 1020 that is configured to operably support a staple cartridge 1030 therein. The second jaw 1006 comprises an anvil assembly 1100. As can be seen in FIGS. 47, 49, 53 and 55, the anvil assembly 1100 comprises an anvil body 1102 that has a staple forming surface 1104 thereon. The anvil body 1102 has a passage 1106 that is adapted to register with mounting holes 1022 in the elongate channel 1020. A pivot or trunnion pin (not shown) is inserted through the holes 1022 and passage 1106 to pivotally couple the anvil 1100 to the elongate channel 1020. Such arrangement permits the anvil assembly 1100 to be selectively pivoted about a closure axis "CA-CA" that is substantially transverse to the longitudinal tool axis "LT-LT" (FIG. 48) between an open position wherein the staple forming surface 1104 is spaced away from the cartridge deck 1044 of the staple cartridge 1040 (FIGS. 47-50) and closed positions (FIGS. 51-54) wherein the staple forming surface 1104 on the anvil body 1102 is in confronting relationship relative to the cartridge deck 1042.

[0250] The embodiment of FIGS. 5 and 47-54 employs a closure assembly 1110 that is configured to receive opening and closing motions from the fifth drive system 470. The fifth drive system 470 serves to axially advance and retract a drive rod assembly 490. As described above, the drive rod assembly 490 includes a proximal drive rod segment 492 that operably interfaces with the drive solenoid 474 to receive axial control motions therefrom. The proximal drive rod segment 492 is coupled to a distal drive rod segment 520 through the drive rod coupler 502. The distal drive rod segment 520 is somewhat flexible to facilitate articulation of the end effector 1000 about articulation joint 700 yet facilitate the axial transmission of closing and opening motions therethrough. For example, the distal drive rod segment 520 may comprise a cable or laminate structure of titanium, stainless spring steel or Nitinol.

[0251] The closure assembly 1110 includes a closure linkage 1112 that is pivotally attached to the elongate channel 1020. As can be seen in FIGS. 48, 51 and 52, the closure linkage 1112 has an opening 1114 therein through which the distal end 524 of the distal drive rod segment 520 extends. A ball 526 or other formation is attached to the distal drive rod segment 520 to thereby attach the distal end 524 of the distal drive rod segment 520 to the closure linkage 1112. The

closure assembly 1110 further includes a pair of cam discs 1120 that are rotatably mounted on the lateral sides of the elongate channel 1020. One cam disc 1120 is rotatably supported on one lateral side of the elongate channel 1020 and the other cam disc 1120 is rotatably supported to the other lateral side of the elongate channel 1020. See FIG. 60. A pair of pivot links 1122 are attached between each cam disc 1120 and the closure linkage 1112. Thus, pivotal travel of the closure linkage 1112 by the drive rod assembly 490 will result in the rotation of the cam discs 1120. Each cam disc 1120 further has an actuator pin 1124 protruding therefrom that is slidably received in a corresponding cam slot 1108 in the anvil body 1102.

[0252] Actuation of the second jaw 1006 or anvil assembly 1100 will now be described. FIGS. 47-50 illustrate the anvil assembly 1100 in the open position. After the end effector 1000 has been positioned relative to the tissue to be cut and stapled, the robotic controller 12 may activate the drive solenoid 474 in the first or distal direction “DD” which ultimately results in the distal movement of the drive yoke 472 which causes the drive rod assembly 490 to move in the distal direction “DD”. Such movement of the drive rod assembly 490 results in the distal movement of the distal drive rod segment 520 which causes the closure linkage 1112 to pivot from the open position to the closed position (FIGS. 51-54). Such movement of the closure linkage 1112 causes the cam discs 1120 to rotate in the “CCW” direction. As the cam discs rotate in the “CCW” direction, interaction between the actuator pins 1124 and their respective cam slot 1108 causes the anvil assembly 1100 to pivot closed onto the target tissue. To release the target tissue, the drive solenoid 474 is activated to pull the drive rod assembly 490 in the proximal direction “PD” which results in the reverse pivotal travel of the closure linkage 1112 to the open position which ultimately causes the anvil assembly 1100 to pivot back to the open position.

[0253] FIGS. 55-59 illustrate another closure system 670 for applying opening and closing motions to the anvil 1100. As can be seen in FIG. 56, for example, the closure system 670 includes a first mounting block or member 672 that rotatably supports a first closure rod segment 680. The first closure rod segment 680 has a substantially semi-circular, cross-sectional shape. A proximal end 682 of the first closure rod segment 680 has a first ball connector 684 thereon that is rotatably supported within a first mounting socket 673 formed in the mounting block 672. To facilitate articulation of the end effector 1000 by the articulation joint 700, the first closure rod segment 680 also has a first serrated portion 686 that coincides with the articulation joint 700 as illustrated in FIGS. 58 and 59. The closure system 670 further includes a second mounting

block or member 674 that rotatably supports a second closure rod segment 690. The second closure rod segment 690 has a substantially semi-circular, cross-sectional shape. A proximal end 692 of the second closure rod segment 690 has a second ball connector 694 thereon that is rotatably supported within a second mounting socket 675 formed in the second mounting block 674. To facilitate articulation of the end effector 1000 by the articulation joint 700, the second closure rod segment 690 also has a second serrated portion 696 that coincides with the articulation joint 700 as illustrated in FIGS. 58 and 59.

[0254] As can also be seen in FIG. 56, the closure system 670 further has a first pivot link 676 that is attached to a distal end 682 of the first closure rod segment 680. The first pivot link 676 has a first pivot lug 677 formed thereon that is configured to be rotatably supported within a first socket 683 formed in the distal end 682 of the first closure rod segment 680. Such arrangement permits the first pivot link 676 to rotate relative to the first closure rod segment 680. Likewise, a second pivot link 678 is attached to a distal end 691 of the second closure rod segment 690 such that it can rotate relative thereto. The second pivot link 678 has a second pivot lug 679 formed thereon that is configured to extend through an opening in the first pivot lug 677 to be rotatably supported within a second socket 692 in a distal end 691 of the second closure rod segment 690. In addition, as can be seen in FIG. 56, the first and second pivot links 676, 678 are movably keyed to each other by a key 716 on the second pivot link 678 that is slidably received within a slot 717 in the first pivot link 676. In at least one embodiment, the first pivot link 676 is attached to each of the cam discs 1120 by first linkage arms 687 and the second pivot link 678 is attached to each of the cam discs 1120 by second linkage arms 688.

[0255] In the illustrated embodiment, the closure system 670 is actuated by the drive solenoid 474. The drive solenoid 474 is configured to operably interface with one of the first and second mounting blocks 672, 674 to apply axial closing and opening motions thereto. As can be seen in FIGS. 56-59, such drive arrangement may further comprise a first pivot link and gear assembly 695 that is movably attached to the first mounting block 672 by a pin 685 that extends into a slot 696 in the first pivot link and gear assembly 695. Similarly, a second pivot link and gear assembly 697 is movably attached to the second mounting block 674 by a pin 685 that extends into a slot 698 in the second pivot link and gear assembly 697. The first pivot link and gear assembly 695 has a first bevel gear 699A rotatably mounted thereto and the second pivot link and gear assembly 697 has a second bevel gear 699B rotatably attached thereto. Both first and

second bevel gears 699A, 699B are mounted in meshing engagement with an idler gear 689 rotatably mounted on the tool mounting plate 302. See FIG. 59A. Thus, when the first mounting block 672 is advanced in the distal direction “DD” which also results in the movement of the first closure rod segment 680 and first pivot link 676 in the distal direction DD, the bevel gears 689, 699A, 699B will result in the movement of the second closure rod 690 and second pivot link 678 in the proximal direction “PD”. Likewise, when the first mounting block 672 is advanced in the proximal direction “PD” which also results in the movement of the first closure rod segment 680 and first pivot link 676 in the proximal direction PD, the bevel gears 689, 699A, 699B will result in the movement of the second closure rod 690 and second pivot link 678 in the distal direction “DD”.

[0256] FIG. 58 illustrates the anvil 1100 in the open position. As can be seen in that Figure, the first closure rod 680 is slightly proximal to the second closure rod 690. To close the anvil, the drive solenoid 474 is powered to axially advance the first closure rod 680 in the distal direction “DD”. Such action causes the first pivot link 676 and first linkage arms 687 to rotate the cam discs 1120 in the counter-clockwise “CCW” direction as shown in FIG. 59. Such motion also results in the movement of the second closure rod 690 in the proximal direction causing the second pivot link 678 and second linkage arms 688 to also pull the cam discs 1120 in the counter-clockwise “CCW” direction. To open the anvil, the drive solenoid 474 applies an axial control motion to the first mounting block 672 to return the first and second control rod segments 680, 690 to the positions shown in FIG. 58.

[0257] The end effector embodiment 1000 illustrated in FIG. 60 includes a drive arrangement generally designated as 748 that facilitates the selective application of rotary control motions to the end effector 1000. The end effector 1000 includes a firing member 1200 that is threadably journaled on an implement drive shaft 1300. As can be seen in FIG. 61, the implement drive shaft 1300 has a bearing segment 1304 formed thereon that is rotatably supported in a bearing sleeve 1011. The implement drive shaft 1300 has an implement drive gear 1302 that operably meshes with a rotary transmission generally designated as 750 that operably interfaces with the elongate channel 1020 and is operably supported by a portion of the elongate shaft assembly 200. In one exemplary form, the rotary transmission 750 includes a differential interlock assembly 760. As can be seen in FIGS. 64 and 65, the differential interlock assembly 760 includes a

differential housing 762 that is configured to selectively rotate relative to the end effector drive housing 1010 and to rotate with the end effector housing 1010.

[0258] The distal drive shaft segment 540 is attached to a sun gear shaft 752 that has a sun gear 754 attached thereto. Thus, sun gear 754 will rotate when the distal drive shaft segment 540 is rotated. Sun gear 754 will also move axially with the distal drive shaft segment 540. The differential interlock assembly 760 further includes a plurality of planet gears 764 that are rotatably attached to the differential housing 762. In at least one embodiment, for example, three planet gears 764 are employed. Each planet gear 764 is in meshing engagement with a first end effector ring gear 1016 formed within the end effector drive housing 1010. In the illustrated exemplary embodiment shown in FIG. 60, the end effector drive housing 1010 is non-rotatably attached to the elongate channel 1020 by a pair of opposing attachment lugs 1018 (only one attachment lug 1018 can be seen in FIG. 60) into corresponding attachment slots 1024 (only one attachment slot 1024 can be seen in FIG. 60) formed in the proximal end 1021 of the elongate channel 1020. Other methods of non-movably attaching the end effector drive housing 1010 to the elongate channel 1020 may be employed or the end effector drive housing 1010 may be integrally formed with the elongate channel 1020. Thus, rotation of the end effector drive housing 1010 will result in the rotation of the elongate channel 1020 of the end effector 1000.

[0259] In the embodiment depicted in FIGS. 61-65, the differential interlock assembly 760 further includes a second ring gear 766 that is formed within the differential housing 762 for meshing engagement with the sun gear 754. The differential interlock assembly 760 also includes a third ring gear 768 formed in the differential housing 762 that is in meshing engagement with the implement drive gear 1302. Rotation of the differential housing 762 within the end effector drive housing 1010 will ultimately result in the rotation of the implement drive gear 1302 and the implement drive shaft 1300 attached thereto.

[0260] When the clinician desires to rotate the end effector 1000 about the longitudinal tool axis LT-LT distal to the articulation joint 700 to position the end effector in a desired orientation relative to the target tissue, the robotic controller 12 may activate the shifter solenoid 394 to axially move the proximal drive shaft segment 380 such that the sun gear 754 is moved to a “first axial” position shown in FIGS. 65, 67 and 70. As described in detail above, the distal drive shaft segment 540 is operably coupled to the proximal drive shaft segment 380 by the quick disconnect joint 210. Thus, axial movement of the proximal drive shaft segment 380 may result

in the axial movement of the distal drive shaft segment 540 and the sun gear shaft 752 and sun gear 754. As was further described above, the shifting system 390 controls the axial movement of the proximal drive shaft segment 380. When in the first axial position, the sun gear 754 is in meshing engagement with the planetary gears 764 and the second ring gear 766 to thereby cause the planetary gears 764 and the differential housing 762 to rotate as a unit as the sun gear 754 is rotated.

[0261] Rotation of the proximal drive shaft segment 380 is controlled by the second drive system 370. Rotation of the proximal drive shaft segment 380 results in rotation of the distal drive shaft segment 540, the sun gear shaft 752 and sun gear 754. Such rotation of the differential housing 762 and planetary gears 764 as a unit applies a rotary motion to the end effector drive housing 1010 of sufficient magnitude to overcome a first amount of friction F1 between the end effector drive housing 1010 and the distal socket portion 730 of the intermediate articulation tube 712 to thereby cause the end effector drive housing 1010 and end effector 1000 attached thereto to rotate about the longitudinal tool axis “LT-LT” relative to the distal socket tube 730. Thus, when in such position, the end effector drive housing 1010, the differential housing 762 and the planetary gears 764 all rotate together as a unit. Because the implement shaft 1300 is supported by the bearing sleeve 1011 in the end effector drive housing, the implement shaft 1300 also rotates with the end effector drive housing 1010. See FIG. 61. Thus, rotation of the end effector drive housing 1010 and the end effector 1000 does not result in relative rotation of the implement drive shaft 1300 which would result in displacement of the firing member 1200. In the illustrated exemplary embodiment, such rotation of the end effector 1000 distal of the articulation joint 700 does not result in rotation of the entire elongate shaft assembly 200.

[0262] When it is desired to apply a rotary drive motion to the implement drive shaft 1300 for driving the firing member 1200 within the end effector 1000, the sun gear 754 is axially positioned in a “second axial” position to disengage the second ring gear 766 while meshingly engaging the planetary gears 764 as shown in FIGS. 61, 62, 64 and 66. Thus, when it is desired to rotate the implement drive shaft 1300, the robotic controller 12 activates the shifter solenoid 394 to axially position the sun gear 754 into meshing engagement with the planetary gears 764. When in that second axial or “firing position”, the sun gear 754 only meshingly engages the planetary gears 764.

[0263] Rotation of the proximal drive shaft segment 380 may be controlled by the second drive system 370. Rotation of the proximal drive shaft segment 380 results in rotation of the distal drive shaft segment 540, the sun gear shaft 752 and sun gear 754. As the sun gear 754 is rotated in a first firing direction, the planetary gears 764 are also rotated. As the planetary gears 764 rotate, they also cause the differential housing 762 to rotate. Rotation of the differential housing 762 causes the implement shaft 1300 to rotate due to the meshing engagement of the implement drive gear 1302 with the third ring gear 768. Because of the amount of friction F1 existing between the end effector drive housing 1010 and the distal socket portion 730 of the intermediate articulation tube 712, rotation of the planetary gears 764 does not result in the rotation of the end effector housing 1010 relative to the intermediate articulation tube 712. Thus, rotation of the drive shaft assembly results in rotation of the implement drive shaft 1300 without rotating the entire end effector 1000.

[0264] Such unique and novel rotary transmission 750 comprises a single drive system that can selectively rotate the end effector 1000 or fire the firing member 1200 depending upon the axial position of the rotary drive shaft. One advantage that may be afforded by such arrangement is that it simplifies the drives that must transverse the articulation joint 700. It also translates the central drive to the base of the elongate channel 1020 so that the implement drive shaft 1300 can exist under the staple cartridge 1040 to the drive the firing member 1200. The ability for an end effector to be rotatable distal to the articulation joint may vastly improve the ability to position the end effector relative to the target tissue.

[0265] As indicated above, when the drive shaft assembly is positioned in a first axial position, rotation of the drive shaft assembly may result in rotation of the entire end effector 1000 distal of the articulation joint 700. When the drive shaft assembly is positioned in a second axial position (in one example-proximal to the first axial position), rotation of the drive shaft assembly may result in the rotation of the implement drive shaft 1300.

[0266] The rotary transmission embodiment depicted in FIGS. 64 and 65 includes a differential locking system 780 which is configured to retain the drive shaft assembly in the first and second axial positions. As can be seen in FIGS. 64 and 65, the differential locking system 780 comprises a first retention formation 756 in the sun gear shaft 752 that corresponds to the first axial position of the drive shaft assembly and a second retention formation 758 in the sun gear shaft 752 that correspond to the second axial position of the drive shaft assembly. In the

illustrated exemplary embodiment, the first retention formation comprises a first radial locking groove 757 in the sun gear shaft 752 and the second retention formation 758 comprises a second radial locking groove 759 formed in the sun gear shaft 752. The first and second locking grooves 757, 759 cooperate with at least one spring-biased locking member 784 that is adapted to retainingly engage the locking grooves 757, 759 when the drive shaft assembly is in the first and second axial positions, respectively. The locking members 784 have a tapered tip 786 and are movably supported within the differential housing 762. A radial wave spring 782 may be employed to apply a biasing force to the locking members 784 as shown in FIG. 63. When the drive shaft assembly is axially moved into the first position, the locking members 784 snap into engagement with the first radial locking groove 757. See FIG. 65. When the drive shaft assembly is axially moved into the second axial position, the locking members 784 snap into engagement with the second radial locking groove 759. See FIG. 64. In alternative embodiments, the first and second retention formations may comprise, for example, dimples that correspond to each of the locking members 784. Also in alternative embodiments wherein the drive shaft assembly is axially positionable in more than two axial positions, additional retention formations may be employed which correspond to each of those axial positions.

[0267] FIGS. 70 and 71 illustrate an alternative differential locking system 790 that is configured to ensure that the drive shaft assembly is locked into one of a plurality of predetermined axial positions. The differential locking system 790 is configured to ensure that the drive shaft assembly is positionable in one of the first and second axial positions and is not inadvertently positioned in another axial position wherein the drive system is not properly operable. In the embodiment depicted in FIGS. 70 and 71, the differential locking system 790 includes a plurality of locking springs 792 that are attached to the drive shaft assembly. Each locking spring 792 is formed with first and second locking valleys 794, 796 that are separated by a pointed peak portion 798. The locking springs 792 are located to cooperate with a pointed locking members 763 formed on the differential housing 762. Thus, when the pointed locking members 763 are seated in the first locking valley 794, the drive shaft assembly is retained in the first axial position and when the pointed locking members 763 are seated in the second locking valleys 796, the drive shaft assembly is retained in the second axial position. The pointed peak portion 798 between the first and second locking valleys 794, 796 ensure that the drive shaft assembly is in one of the first and second axial positions and does not get stopped in an axial

position between those two axial positions. If additional axial positions are desired, the locking springs may be provided with additional locking valleys that correspond to the desired axial positions.

[0268] Referring to FIGS. 60, 72 and 73, a thrust bearing 1030 is supported within a cradle 1026 in the elongate channel 1020. The distal end portion 1306 of the implement drive shaft 1300 is rotatably received within the thrust bearing 1030 and protrudes therethrough. A retaining collar 1032 is pinned or otherwise affixed to the distal end 1030 as shown in FIG. 73 to complete the installation. Use of the thrust bearing 1030 in this manner may enable the firing member 1200 to be “pulled” as it is fired from a starting position to an ending position within the elongate channel 1020. Such arrangement may minimize the risk of buckling of the implement drive shaft 1300 under high load conditions. The unique and novel mounting arrangement and location of the thrust bearing 1030 may result in a seating load that increases with the anvil load which further increases the end effector stability. Such mounting arrangement may essentially serve to place the implement drive shaft 1300 in tension during the high load firing cycle. This may avoid the need for the drive system gears to both rotate the implement drive shaft 1300 and resist the buckling of the shaft 1300. Use of the retaining collar 1032 may also make the arrangement easy to manufacture and assemble. The firing member 1200 is configured to engage the anvil and retain the anvil at a desired distance from the cartridge deck as the firing member 1200 is driven from the starting to ending position. In this arrangement for example, as the firing member 1200 assembly moves distally down the elongate channel 1020, the length of the portion of the anvil that resembles a cantilever beam becomes shorter and stiffer thereby increasing the magnitude of downward loading occurring at the distal end of the elongate channel 1020 further increasing the bearing seating load.

[0269] One of the advantages of utilizing rotary drive members for firing, closing, rotating, etc. may include the ability to use the high mechanical advantage of the drive shaft to accommodate the high loads needed to accomplish those instrument tasks. However, when employing such rotary drive systems, it may be desirable to track the number of rotations that the drive shaft is driven to avoid catastrophic failure or damage to the drive screw and other instrument components in the event that the drive shaft or movable end effector component is driven too far in the distal direction. Thus, some systems that include rotary drive shafts have, in the past, employed encoders to track the motor rotations or sensors to monitor the axial position of the

movable component. The use of encoders and/or sensors require the need for additional wiring, electronics and processing power to accommodate such a system which can lead to increased instrument costs. Also, the system's reliability may be somewhat difficult to predict and its reliability depends upon software and processors.

[0270] FIGS. 74-76 depict a mechanical stroke limiting system 1310 for limiting the linear stroke of the firing member 1200 as the firing member 1200 is driven from a starting to an ending position. The stroke limiting system 1310 employs an implement drive shaft 1300' wherein the screw threads 1308 on the implement drive shaft 1300' do not extend to the distal end 1306 of the drive shaft 1300'. For example, as can be seen in FIGS. 74-76, the implement drive shaft 1300' includes an un-threaded section 1309. The firing member 1200 has a body portion 1202 that has a series of internal threads 1204 that are adapted to threadably interface with the screw threads 1308 on the implement drive shaft 1300' such that, as the implement drive shaft 1300' is rotated in a first firing direction, the firing member 1200 is driven in the distal direction "DD" until it contacts the unthreaded section 1309 at which point the firing member 1200 stops its distal advancement. That is, the firing member 1200 will advance distally until the internal threads 1204 in the firing member 1200 disengage the threads 1308 in the implement drive shaft 1300'. Any further rotation of the implement drive shaft 1300' in the first direction will not result in further distal advancement of the firing member 1200. See, e.g., FIG. 75.

[0271] The illustrated exemplary mechanical stroke limiting system 1310 further includes a distal biasing member 1312 that is configured to be contacted by the firing member 1200 when the firing member 1200 has been advanced to the end of its distal stroke (i.e., the firing member will no longer advance distally with the rotation of the implement drive shaft in the first rotary direction). In the embodiment depicted in FIGS. 74-76, for example, the biasing member 1312 comprises a leaf spring 1314 that is positioned within the elongate channel 1020 as shown. FIG. 74 illustrates the leaf spring 1314 prior to contact by the firing member 1200 and FIG. 75 illustrates the leaf spring 1314 in a compressed state after it has been contacted by the firing member 1200. When in that position, the leaf spring 1314 serves to bias the firing member 1200 in the proximal direction "PD" to enable the internal threads 1204 in the firing member 1200 to re-engage the implement drive shaft 1300' when the implement drive shaft 1300' is rotated in a

second retraction direction. As the implement drive shaft 1300' is rotated in the second retraction direction, the firing member 1200 is retracted in the proximal direction. See FIG. 76.

[0272] FIGS. 77-80 illustrate another stroke limiting system 1310'. The stroke limiting system 1310' employs a two-part implement drive shaft 1300". In at least one form, for example, the implement drive shaft 1300" includes a proximal implement drive shaft segment 1320 that has a socket 1324 in a distal end 1322 thereof and a distal drive shaft segment 1330 that has a lug 1334 protruding from a proximal end 1332 thereof. The lug 1334 is sized and shaped to be received within the socket 1324 such that threads 1326 on the proximal drive shaft segment 1320 cooperate with threads 1336 on the distal drive shaft segment 1330 to form one continuous drive thread 1340. As can be seen in FIGS. 77, 79 and 80, a distal end 1338 of the distal drive shaft segment 1330 extends through a thrust bearing 1032 that is movably supported in the distal end 1023 of the elongate channel 1020. That is, the thrust bearing 1032 is axially movable within the elongate channel 1020. A distal biasing member 1342 is supported within the elongate channel 1020 for contact with the thrust bearing 1032. FIG. 78 illustrates the firing member 1200 being driven in the distal direction "DD" as the implement drive shaft 1300" is driven in a first rotary direction. FIG. 79 illustrates the firing member 1200 at the distal end of its stroke. Further rotation of the implement drive shaft 1300" in the first rotary direction causes the thrust bearing 1032 to compress the biasing member 1342 and also allows the distal shaft segment 1330 to slip if the proximal segment 1320 continues to turn. Such slippage between the proximal and distal implement drive shaft segments 1320, 1330 prevent the firing member 1200 from being further advanced distally which could ultimately damage the instrument. However, after the first rotary motion has been discontinued, the biasing member 1342 serves to bias the distal shaft segment 1320 in the proximal direction such that the lug 1334 is seated in the socket 1324. Thereafter, rotation of the implement shaft 1300" in a second rotary direction results in the movement of the firing member 1200 in the proximal direction "PD" as shown in FIG. 80.

[0273] FIG. 81 illustrates another stroke limiting system 1310". In this embodiment, the implement drive shaft 1300 has a lug 1350 formed thereon that is sized and shaped to be received within a socket 1352 in the bearing segment 1304 that has the implement drive gear 1302 formed thereon or otherwise attached thereto. FIGS. 81A and 81B illustrate different lugs 1350' (FIG. 81A) and 1350" (FIG. 81B) that are configured to releasably engage corresponding sockets 1352' and 1352", respectively. The leaf spring 1314 is positioned to be contacted by the

firing member 1200 when the firing member 1200 has reached the end of its stroke. Further rotation of the implement drive shaft 1300 will result in the lug 1350, 1350', 1350" slipping out of the socket 1352, 1352', 1352", respectively to thereby prevent further rotation of the implement shaft 1300. Once the application of rotational motion to the implement drive shaft 1300 is discontinued, the leaf spring 1314 will apply a biasing motion to the firing member 1200 to ultimately bias the implement drive shaft 1300 in the proximal direction "PD" to seat the lug 1350 in the socket 1352. Rotation of the implement drive shaft 1300 in the second rotary direction will result in the retraction of the firing member 1200 in the proximal direction "PD" to the starting position. Once the firing member 1200 has returned to the starting position, the anvil 1100 may then be opened.

[0274] In the illustrated exemplary embodiment, the firing member 1200 is configured to engage the anvil 1100 as the firing member 1200 is driven distally through the end effector to affirmatively space the anvil from the staple cartridge to assure properly formed closed staples, especially when an amount of tissue is clamped that is inadequate to do so. Other forms of firing members that are configured to engage and space the anvil from the staple cartridge or elongate channel and which may be employed in this embodiment and others are disclosed in U.S. Patent No. 6,978,921, entitled "Surgical Stapling Instrument Incorporating an E-beam Firing Mechanism", the disclosure of which is herein incorporated by reference in its entirety. As can be seen in FIGS. 82 and 83, the body portion 1202 of the firing member 1200 includes a foot portion 1206 that upwardly engages a channel slot 1028 in the elongate channel 1020. See FIG. 60. Similarly, the knife body includes a pair of laterally-protruding upper fins 1208. When fired with the anvil 1100 closed, the upper fins 1208 advance distally within a longitudinal anvil slot 1103 extending distally through anvil 1100. Any minor upward deflection in the anvil 1100 is overcome by a downward force imparted by the upper fins 1208.

[0275] In general, the loads necessary to close and advance the firing member i.e., "fire" the firing member could conceivably exceed 200 lbs. Such force requirements, however, may require the internal threads 1204 in the firing member to comprise relative fine threads of a power-type thread configuration such as Acme threads. Further, to provide sufficient support to the upper fins 1208 to avoid the firing member 1200 from binding as it is driven distally through the end effector, it may be desirable for at least 5-15 threads in the firing member to be engaged with the threads on the implement drive shaft at any given time. However, conventional

manufacturing methods may be unsuitable for forming sufficient threads in the firing member body 1202 within an 0.08 inch-0.150 inch diameter opening and which have sufficient thread depth.

[0276] FIGS. 82-84 illustrate a firing member 1200' that may address at least some of the aforementioned challenges. As can be seen in those Figures, the body portion 1202' of the firing member has a hollow shaft socket 1210 extending therethrough that is sized to receive the implement shaft therethrough. The internal threads in this embodiment are formed by a series of rods 1214 that extend transversely through holes 1212 in the shaft socket 1210 as shown. As can be seen in FIG. 84, the pins 1214 rest on the minor diameter of the pitch of the threads 1308 on the implement drive shaft 1300.

[0277] FIG. 85 illustrates another firing member 1200'' that may also address at least some of the above-discussed manufacturing challenges. As can be seen in that Figure, the body portion 1202'' of the firing member 100'' has a hollow shaft socket 1210 extending therethrough that is sized to receive the implement shaft therethrough. A pair of windows 1216 are formed in the body portion 1202'' as shown. The internal threads 1220 in this embodiment are formed on plugs 1218 that are inserted into the windows 1216 and are attached therein by welding, adhesive, etc. FIGS. 86 and 87 illustrate another firing member 1200''' wherein access into the socket 1210 is gained through access windows 1230A, 1230B formed in the body portion 1202'''. For example, a pair of access windows 1230A are provided through one side of the socket portion 1210 to enable internal thread segments 1232 to be formed within the opposite wall of the socket 1210. Another access window 1230B is provided through the opposite side of the socket portion 1210 so that a central internal thread segment 1234 can be formed in the opposite wall between the internal thread segments 1232. The thread segments 1232, 1234 cooperate to threadably engage the threads 1308 on the implement drive shaft 1300.

[0278] End effector 1000 is configured to removably support a staple cartridge 1040 therein. See FIG. 60. The staple cartridge 1040 includes a cartridge body 1042 that is configured to be operably seated with the elongate channel 1020. The cartridge body 1042 has an elongate slot 1046 therein for accommodating the firing member 1200. The cartridge body 1042 further defines an upper surface referred to herein as the cartridge deck 1044. In addition, two lines of staggered staple apertures 1048 are provided on each side of the elongate slot 1046. The staple apertures 1048 operably support corresponding staple drivers 1050 that support one or two

surgical staples (not shown) thereon. A variety of such staple driver arrangements are known and may be employed without departing from the spirit and scope of the various exemplary embodiments of the invention.

[0279] The firing member embodiments also employ a wedge sled assembly 1250 for driving contact with the staple drivers operably supported within the staple cartridge 1040. As can be seen in FIG. 60, the wedge sled assembly 1250 includes at least two wedges 1252 that are oriented for driving contact with the lines of staple drivers operably supported within the staple cartridge 1040. As the firing member 1200 is driven distally, the wedge sled assembly 1250 travels with the firing member 1220 and the wedges 1252 thereon force the drivers 1050 upward towards the closed anvil 1100. As the drivers 1050 are driven upwardly, the surgical staples supported thereon are driven out of their respective apertures 1048 into forming contact with the staple forming surface 1104 of the closed anvil 1100.

[0280] Various exemplary end effector embodiments disclosed herein may also employ a unique and novel firing lockout arrangement that will prevent the clinician from inadvertently advancing or “firing” the firing member when a cartridge is not present, a cartridge has not been properly seated within the end effector and/or when a spent cartridge remains installed in the end effector. For example, as will be discussed in further detail below, the firing lockout arrangement may interact with the implement drive shaft 1300 and/or the firing member 1200 to prevent inadvertent advancement of the firing member 1200 when one of the aforementioned conditions exist.

[0281] In the illustrated exemplary embodiment, rotation of the implement drive shaft 1300 in a first rotary or “firing” direction will cause the firing member 1200 to be driven distally through the staple cartridge 1040 if the firing member 1200 is properly aligned with the elongate slot 1046 in the cartridge body 1042 (FIG. 60), the channel slot 1028 in the elongate channel 1020 and the anvil slot 1103 in the anvil 1100, for example. Referring primarily to FIG. 90, the elongate slot 1046, the channel slot 1028 and/or the anvil slot 1103 can guide the firing member 1200 as it moves along the path through the surgical end effector 1000, for example, during a firing stroke. When the firing member 1200 is in the operable configuration, the channel slot 1028 is configured to receive the foot portion 1206 of the firing member 1200 and the anvil slot 1103 is configured to receive the upper fins 1208 of the firing member 1200, for example. When a portion of the firing member 1200 is positioned in the channel slot 1028 and/or the anvil slot

1103, the firing member 1200 can be aligned or substantially aligned with the axis A. The channel slot 1028 and/or the anvil slot 1103 can guide the firing member 1200 and maintain the alignment of the firing member 1200 with the axis A as the firing member 1200 moves from the initial position to the secondary position relative to the cartridge body 1042, for example.

[0282] As was briefly discussed above, in various surgical staple cartridge examples, the surgical staples are supported on movable staple drivers supported in the cartridge body.

Various exemplary end effector embodiments employ a wedge sled assembly 1250 that is configured to contact the staple drivers as the wedge sled assembly is driven distally through the staple cartridge to drive the staples out of their respective cavities in the cartridge body and into forming contact with the closed anvil. In at least one exemplary embodiment, the wedge sled 1250 is positioned within the staple cartridge 1040. Thus, each new staple cartridge 1040 has its own wedge sled operably supported therein. When the clinician properly seats a new staple cartridge 1040 into the elongate channel, the wedge sled 1250 is configured to straddle the implement drive shaft 1300 and engage the firing member 1200 in the manner illustrated in FIGS. 60, 88 and 89, for example. As can be seen in those Figures, the exemplary wedge sled assembly 1250 can comprise a sled body 1414, a flange 1410, and wedges 1252. The sled body 1414 can be positioned around a portion of the implement drive shaft 1300 when the wedge sled assembly 1250 is positioned in the elongate channel 1020. The sled body 1414 can be structured such that the sled body 1414 avoids contact with the implement drive shaft 1300 when the sled body 1414 is positioned around the implement drive shaft 1300. The sled body 1414 can comprise a contour 1412, for example, that curves over and/or around the implement drive shaft 1300. In such embodiment, for example, a flange 1410 extends between the sled body 1414 and each of the wedges 1252. In addition, the sled body 1414 has a notch 1415 therein that is configured to receive therein a portion of the firing member body 1203. Referring primarily to FIG. 89, the flange 1410 can extend substantially parallel to the foot portion 1206 of the firing member 1200 when the firing member 1200 engages the wedge sled assembly 1250.

[0283] When a new staple cartridge 1040 has been properly installed in the elongate channel 1020, initial actuation of the firing member 1200 (e.g., by rotating the implement drive shaft 1300) causes a portion of the firing member body 1203 to enter the notch 1415 in the wedge sled 1250 which thereby results in the alignment of the firing member 1200 with the elongate slot 1046 in the cartridge body 1042 (FIG. 60), the channel slot 1028 in the elongate channel 1020

and the anvil slot 1103 in the anvil 1100 to enable the firing member 1250 to be distally advanced through the staple cartridge 1040. Hence, the wedge sled may also be referred to herein as an “alignment member”. If the staple cartridge 1040 has been improperly installed in the elongate channel, activation of the firing member 1200 will not result in the aligning engagement with the notch 1415 in the wedge sled 1250 and the firing member 1200 will remain out of alignment with the channel slot 1028 in the elongate channel 1020 and the anvil slot 1103 in the anvil 1100 to thereby prevent the firing member 1250 from being fired.

[0284] After a new staple cartridge 1040 has been properly installed in the elongate channel 1020, the clinician fires the firing member by applying a first rotary motion to the implement drive shaft 1300. Once the firing member 1250 has been distally driven through the staple cartridge 1250 to its distal-most position, a reverse rotary motion is applied to the implement drive shaft 1300 to return the firing member 1250 to its starting position external to the surgical staple cartridge 1040 to enable the spent cartridge to be removed from the elongate channel 1020 and a new staple cartridge to be installed therein. As the firing member 1250 is returned to its starting position, the wedge sled 1250 remains in the distal end of the staple cartridge and does not return with the firing member 1200. Thus, as the firing member 1200 moves proximally out of the staple cartridge 1040 and the anvil slot 1103 in the anvil, the rotary motion of the implement drive shaft 1300 causes the firing member 1200 to pivot slightly into an inoperable position. That is, when the firing member 1200 is in the inoperable position (outside of the cartridge), should the clinician remove the spent cartridge 1040 and fail to replace it with a fresh cartridge containing a new wedge sled 1250 and then close the anvil 1110 and attempt to fire the firing member 1200, because there is no wedge sled present to align the firing member 1200, the firing member 1200 will be unable to advance distally through the elongate channel 1020. Thus, such arrangement prevents the clinician from inadvertently firing the firing member 1200 when no cartridge is present.

[0285] In such exemplary embodiment, the firing member 1200 can be substantially aligned with an axis A when the firing member 1200 is oriented in an operable configuration such that the firing member 1200 can move along a path established through the end effector 1000. The axis A can be substantially perpendicular to the staple forming surface 1104 of the anvil 1100 and/or the cartridge deck 1044 of the staple cartridge 1040 (FIG. 60). In other exemplary embodiments, the axis A can be angularly oriented relative to the staple forming surface 1104 of

the anvil 1100 and/or the cartridge deck 1044 of the staple cartridge 1040. Further, in at least one exemplary embodiment, the axis A can extend through the center of the surgical end effector 1000 and, in other exemplary embodiments, the axis A can be positioned on either side of the center of the surgical end effector 1000.

[0286] FIGS. 91-97 illustrate one exemplary form of a surgical end effector 1400 that employs a unique and novel firing lockout arrangement. As can be seen in FIGS. 91-95, when the firing member 1200 is in the initial position, the firing member 1200 is in an inoperable configuration which prevents its distal advancement through the end effector due to the misalignment of the firing member 1200 with the channel slot 1028 and the anvil slot 1103. The firing member 1200 may be retained in the inoperable configuration by a firing lockout generally designated as 1418. Referring primarily to FIGS. 91-93, in at least one form, for example, the firing lockout 1418 includes a first lockout groove or notch 1402 that is formed in the elongate channel 1020. In other exemplary embodiments, however, the first lockout notch 1402 can form an opening in the first jaw 1004, the second jaw 1006, the elongate channel 1020 and/or the anvil 1100, for example. In various exemplary embodiments, the first lockout notch 1402 is located in the surgical end effector 1400 such that the first lockout notch 1402 retainingly engages a portion of the firing member 1200 when the firing member 1200 is in the inoperable configuration. The first lockout notch 1402 can be near, adjacent to, and/or connected to the channel slot 1028 in the elongate channel 1020, for example. Referring primarily to FIG. 91, the channel slot 1028 can have a slot width along the length thereof. In at least one exemplary embodiment, the first lockout notch 1402 can extend from the channel slot 1028 such that the combined width of the channel slot 1028 and the first lockout notch 1402 exceeds the slot width of the channel slot 1028. As can be seen in FIG. 91, when the firing member 1200 is in the inoperable configuration, the foot portion 1206 of the firing member 1200 extends into the first lockout notch 1402 to thereby prevent its inadvertent distal advancement through the elongate channel 1020.

[0287] When a new staple cartridge 1040 has been properly installed in the elongate channel 1020, initiation of the firing stroke causes the firing member to engage the wedge sled 1250 positioned within the staple cartridge 1040 which moves the firing member 1200 into driving alignment with the elongate slot 1046 in the cartridge body 1042, the channel slot 1028 in the elongate channel 1020 and the anvil slot 1103 in the anvil 1100 to enable the firing member 1250

to be distally advanced therethrough. As the firing member 1200 moves from the initial position to the secondary position relative to the staple cartridge 1040, the firing member 1200 can move past the first lockout notch 1402, for example. The first lockout notch 1402 can have a length of approximately 0.25 inches, for example. In some other exemplary embodiments, the first lockout notch 1402 can have a length of approximately 0.15 inches to approximately 0.25 inches, for example, or of approximately 0.25 inches to approximately 1.0 inch, for example.

[0288] Referring primarily to FIGS. 93 and 94, the surgical end effector 1400 can be structured to accommodate the upper fins 1208 of the firing member 1200 when the firing member 1200 is in the inoperable configuration. For example, the firing lockout 1418 can include a second lockout groove or notch 1404 in the anvil 1100. In the illustrated exemplary embodiment, for example, the second lockout notch 1404 can be near, adjacent to, and/or connected to the anvil slot 1103 in the anvil 1100, for example. The anvil slot 1103 can have a slot width along the length thereof. In at least one exemplary embodiment, the second lockout notch 1404 can extend from the anvil slot 1103 such that the combined width of the anvil slot 1103 and the second lockout notch 1404 exceeds the slot width of the anvil slot 1103. The second lockout notch 1404 can extend a length or distance in the surgical end effector 1400. The firing member 1200 can be structured to engage the second lockout notch 1404 along the length thereof when the firing member 1200 is in the inoperable configuration. As the firing member 1200 moves from the initial position to the secondary position relative to the staple cartridge 1040, the firing member 1200 can move past the second lockout notch 1404, for example. The second lockout notch 1404 can have a length of approximately 0.25 inches, for example. In some other exemplary embodiments, the second lockout notch 1404 can have a length of approximately 0.15 inches to approximately 0.25 inches, for example, or of approximately 0.25 inches to approximately 1.0 inch, for example. Referring primarily to FIG. 93, the first lockout notch 1402 can extend from the channel slot 1028 in a first direction X and the second lockout notch 1404 can extend from the anvil slot 1103 in a second direction Y. In at least one exemplary embodiment, the first direction X can be substantially laterally opposite to the second direction Y. In such exemplary embodiments, the foot portion 1206 of the firing member 1200 can pivot into the first lockout notch 1402 and the upper fins 1208 of the firing member 1200 can pivot into the second lockout notch 1404 when the firing member 1200 moves to the inoperable configuration.

[0289] Referring primarily to FIGS. 92-94, when the firing member 1200 is oriented in the inoperable configuration, corresponding portions of the firing member 1200 engage the first and second lockout notches 1402, 1404. The firing member 1200 can be positioned at least partially within the first and second lockout notches 1402, 1404 when the firing member 1200 is in the inoperable configuration. The firing member 1200 can shift into the first and second lockout notches 1402, 1404 when the firing member 1200 moves to the inoperable configuration. Further, when the firing member 1200 is oriented in the operable configuration, the firing member 1200 can disengage the first and second lockout notches 1402, 1404.

[0290] A portion or portions of the surgical end effector 1400 can block the firing member 1200 and limit or prevent movement of the firing member 1200 through the surgical end effector 1400 when the firing member 1200 is oriented in the inoperable configuration (*see, e.g.*, FIG. 95). For example, the first jaw 1004, the second jaw 1006, the elongate channel 1020 and/or the anvil 1100 can be configured to block the firing member 1200 when it is in the operable configuration. In some exemplary embodiments, the first lockout notch 1402 has a first blocking surface or edge 1406 (FIGS. 91 and 92) formed thereon and the second lockout notch 1404 has a second blocking surface or edge 1408 formed thereon (FIG. 94). Attempts to fire the firing member 1200 while the firing member 1200 is in the inoperable configuration will result in corresponding portions of the firing member 1200 contacting one or both of the first and second blocking surfaces 1406, 1408 to prevent the firing member 1200 from moving from the initial position towards the secondary positions. In at least one exemplary embodiment, the surgical end effector 1400 need not have both the first blocking edge 1406 and the second blocking edge 1408.

[0291] FIGS. 97-104 illustrate another exemplary surgical end effector embodiment 1500 that employs another exemplary firing lockout arrangement. For example, as can be seen in those Figures, a surgical end effector 1500 can comprise the elongate channel 1020, the implement drive shaft 1300, and the firing member 1200. The surgical end effector 1500 can also comprise an end effector drive housing 1510 (*see, e.g.* FIG. 100). Similar to the end effector drive housing 1010 described herein, the end effector drive housing 1510 can comprise a bearing sleeve 1511 and the third ring gear or housing drive member 768. The bearing sleeve 1511 can be structured such that the bearing segment 1304 of the implement drive shaft 1300 can be moveably positioned in the bearing sleeve 1511. The bearing segment 1304 can move in the bearing sleeve

1511 as the implement drive shaft 1300 moves between an inoperable position and an operable position, as described herein. The bearing sleeve 1511 can comprise a bore 1512 having an elongated cross-section such as, for example, a cross-sectional shape comprising an oval, an ellipse and/or semicircles having longitudinal and/or parallel sides therebetween. In such exemplary embodiments, the bearing segment 1304 can be positioned against or near a first side of the bore 1512 such as, for example, a first semicircle, when the implement drive shaft 1300 is in the inoperable position. Further, the bearing segment 1304 can be positioned against or near a second side of the bore 1512 such as, for example, a second semicircle, when the implement drive shaft 1300 is in the operable position.

[0292] The implement drive shaft 1300 can be moveable between the inoperable position and the operable position. As described herein, a biasing member 1520 and/or a portion of the staple cartridge 1040 can move the implement drive shaft 1300 between the inoperable position and the operable position, for example. In the illustrated embodiment and others, the implement drive gear 1302 of the implement drive shaft 1300 can be engaged with the third ring gear 768 of the end effector drive housing 1510 when the implement drive shaft 1300 is in the operable position. The implement drive gear 1302 can be an external gear, for example, and the third ring gear 768 can be an internal gear, for example. The implement drive gear 1302 can move into engagement with the third ring gear 768 when the implement drive shaft 1300 moves from the inoperable position to the operable position. Further, the implement drive gear 1302 can be disengaged from the third ring gear 768 when the implement drive shaft 1300 is in the inoperable position. In at least one exemplary embodiment, the implement drive gear 1302 can move out of engagement with the third ring gear 768 when the implement drive shaft 1300 moves from the operable position to the inoperable position. Similar to other exemplary embodiments described herein, when the implement drive shaft 1300 is engaged with the third ring gear 768 in the end effector drive housing 1510, the drive system 750 (FIG. 61) can drive the firing member 1200 through the elongate channel 1020 of the surgical end effector 1500, for example, during a firing stroke.

[0293] Referring primarily to FIGS. 101 and 102, the bearing segment 1304 can be positioned against the first side of the bore 1512 of the bearing sleeve 1511 when the implement drive shaft 1300 is in the inoperable position. A retaining pin 1514 (FIGS. 98, 100, 101 and 103) can be structured to bias the bearing segment 1304 against the first side of the bore 1512 such that the

implement drive shaft 1300 is held in the inoperable position, for example, and the implement drive gear 1302 is held out of engagement with the third ring gear 768, for example. In some exemplary embodiments, the retaining pin 1514 can be spring-loaded such that retaining pin 1514 exerts a force on the bearing segment 1304 to move the implement drive shaft 1300 towards the inoperable position. The implement drive shaft 1300 can remain in the inoperable position until another force overcomes the force exerted by the retaining pin 1514 to move the implement drive shaft 1300 towards the operable position, for example, and the implement drive gear 1302 into engagement with the third ring gear 768, for example.

[0294] Referring primarily to FIGS. 103 and 104, the bearing segment 1304 can be positioned against the second side of the bore 1512 of the bearing sleeve 1511 when the implement drive shaft 1300 is in the operable position. In various exemplary embodiments, the force exerted by the retaining pin 1514 (FIGS. 98, 100, 101 and 103) can be overcome to move the bearing segment 1304 against the second side of the bore 1512 such that the implement drive shaft 1300 is in the operable position, for example, and the implement drive gear 1302 is engaged with the third ring gear 768, for example. As described herein, the biasing element 1520 can exert a force on the bearing segment 1304 that overcomes the force exerted by the retaining pin 1515, for example.

[0295] The surgical end effector 1500 can comprise the biasing element 1520, which can be moveable between a first set of positions (*see, e.g.*, FIG. 103) and a second set of positions (*see, e.g.*, FIG. 101). The second set of positions can be distal to the first set of positions relative to the end effector drive housing 1510. When the biasing element 1520 is in the first set of positions, the biasing element 1520 can be structured to move the implement drive shaft 1300 to the operable position, for example. When the biasing element 1520 is in the second set of positions, the biasing element 1520 can release the implement drive shaft 1300 such that the implement drive shaft can return to the inoperable position, for example.

[0296] The biasing element 1520 can be an independent element positionable in the surgical end effector 1500. The biasing element 1520 can be moveably retained in the surgical end effector 1500, for example, and can be operably engageable with the staple cartridge 1040, for example. The staple cartridge 1040 can comprise the biasing element 1520. In some exemplary embodiments, the biasing element 1520 can be integrally formed with the wedge sled assembly 1250 of the staple cartridge 1040, for example, and the biasing element 1520 can be moveably

retained in the staple cartridge 1040, for example. In such exemplary embodiments, the biasing element 1520 can move through the elongate channel 1020 as the wedge sled assembly 1250 and/or the firing member 1200 moves through the elongate channel 1020, for example, during a firing stroke.

[0297] Referring primarily to FIG. 99, the biasing element 1520 can comprise a biasing body 1522 and legs 1526 extending from the biasing body 1522. The biasing body 1522 can be positioned around a portion of the implement drive shaft 1300 in the surgical end effector 1500. In some exemplary embodiments, the biasing body 1522 can be structured such that the biasing body 1522 avoids contact with the implement drive shaft 1300 when the biasing body 1522 is positioned around the implement drive shaft 1300. The biasing body 1522 can comprise a contour 1524, for example, that curves over and/or around the implement drive shaft 1300. The legs 1526 can extend along a portion of the elongate channel 1020 and/or on either side of the implement drive shaft 1300. The biasing element 1520 can also comprise at least one extension or wedge 1528. As described herein, the wedge 1528 can moveably engage the bearing sleeve 1511 and/or the bearing segment 1304 to move the implement drive shaft into the operable position. The biasing element 1520 can also comprise at least one spring 1530. The spring 1530 can be deformable between an initial configuration (FIG. 101) and deformed configurations (FIG. 103), for example. The spring 1530 can hold the biasing element 1520 in the first set of positions relative to the end effector drive housing 1510 until a force deforms the spring 1530 from the initial configuration to a deformed configuration. When the spring 1530 moves from the initial configuration to the deformed configuration, the biasing element 1520 can move from the second set of positions to the first set of positions relative to the end effector drive housing 1510.

[0298] Referring primarily to FIG. 101, before the insertion of the staple cartridge 1040 (FIG. 103) into the elongate channel 1020, the spring 1530 can be in the initial configuration, for example, and the biasing element 1520 can be in the second set of positions, for example. The retaining pin 1514 can hold the bearing segment 1304 against the first side of the bore 1512, for example. In such exemplary embodiments, the implement drive shaft 1300 can be held in the inoperable position by the retaining pin 1514.

[0299] Referring now to FIG. 103, installation of the staple cartridge 1040 in the elongate channel 1020 moves the biasing element 1520 proximally against the force of springs 1530 into a

first set of positions wherein the wedge 1528 moveably engages the bearing sleeve 1511 and the bearing segment 1304 to bias the bearing segment 1304 and the implement drive gear 1302 of the implement drive shaft 1300 into meshing engagement with the third ring gear 768.

Thereafter, actuation of the firing drive system as described herein will result in the firing of the firing member 1200. In some exemplary embodiments, a portion of the staple cartridge 1040 is configured to directly contact the biasing element 1520 to move the biasing element 1520 to the first set of positions. In other exemplary embodiments, a portion of the staple cartridge 1040 is configured to contact another element in the surgical end effector 1500 such as, for example, the firing member 1200, to operable move the biasing element 1520 to the first set of positions. In still other exemplary embodiments, the staple cartridge 1040 has the biasing element 1520 integrally formed therewith.

[0300] In various exemplary embodiments, the biasing element 1520 can move through the elongate channel 1020 of the surgical end effector 1500 as the firing member 1200 and/or the wedge sled assembly 1250 are driven through the elongate channel 1020 by the implement drive shaft 1300, for example, during a firing stroke, as described herein. The biasing element 1520 can be integrally formed with and/or fixed to the wedge sled assembly 1250 of the staple cartridge 1040. In such exemplary embodiments, when the staple cartridge 1040 is initially seated in the elongate channel 1020, the wedge sled assembly 1250 and the biasing element 1520 can be positioned in an initial position relative to the staple cartridge 1040 and/or the elongate channel 1020. The initial position of the biasing element 1520 can correspond to the first set of positions such that the biasing element 1520 moveably engages the bearing sleeve 1511 of the end effector drive housing 1510 to move the implement drive shaft 1300 into the operable position, as described herein. During the firing stroke, the wedge sled assembly 1250 and the biasing element 1520 can be moved away from the initial or first set of positions, for example. The biasing element 1520 can move to the second set of positions, for example. When the biasing element 1520 moves past the first set of positions and into the second set of positions, the biasing element 1520 may no longer engage the bearing sleeve 1511 of the end effector drive housing 1510 to hold the implement drive shaft 1300 in the operable configuration. Though the biasing element 1520 may not bias the implement drive gear 1302 of the implement drive shaft 1300 into engagement with the third ring gear 768 when the biasing element 1520 moves into the second set of positions, the channel slot 1028, the anvil slot 1103, and/or the elongate slot 1046

in the staple cartridge 1040 serve to guide the firing member 1200 in a firing orientation that retains the implement drive gear 1302 of the implement drive shaft 1300 in meshing engagement with the third ring gear 768 and thereby prevents the implement drive shaft 1300 from returning to the inoperable position during the firing stroke.

[0301] In at least one exemplary embodiment, the firing member 1200 and/or the implement drive shaft 1300 can drive the wedge sled assembly 1250 and/or the biasing element 1520 to the second set of positions during the firing stroke. In various exemplary embodiments, upon completion of the firing stroke, the firing member 1200 can return to the initial position, however, the wedge sled assembly 1250, including the biasing element 1520, can remain in the second set of positions, for example. The firing member 1200 can return to a proximal position in the surgical end effector 1500, for example, and the biasing element 1520 can remain in a distal position in the surgical end effector 1500, for example. When the firing member 1200 is in the initial position and the biasing element 1520 is in the second set of positions, the bearing segment 1304 of the implement drive shaft 1300 can shift in the bearing sleeve 1511 such that the implement drive shaft 1300 moves into the inoperable position, for example, and the implement drive gear 1302 moves out of engagement with the third ring gear 768, for example. In various exemplary embodiments, the implement drive shaft 1300 can remain in the inoperable position until the biasing element 1520 is drawn back into the first set of positions and/or until a replacement biasing element 1520 is positioned in the first set of positions, for example. For example, the spent staple cartridge 1040 is removed from the elongate channel 1020 and replaced with a replacement staple cartridge 1040, which can comprise a biasing element 1520 located in its first positions. When the replacement staple cartridge 1040 is positioned in the elongate channel 1020, the biasing element 1520 thereof shifts the implement drive gear 1302 into engagement with the third ring gear 768, for example, and into the operable position, for example. In such exemplary embodiments, the surgical end effector 1500 can be prevented from being re-fired when no cartridge 1040 or a spent cartridge 1040 is seated in the elongate channel 1020. In addition, if the staple cartridge has not been properly seated in the elongate channel 1020 such that the biasing element 1520 has not moved the implement drive shaft 1300 into meshing engagement with the third ring gear 768, the firing member 1200 cannot be fired.

[0302] As described above, a surgical instrument system can include a surgical housing, replaceable end effector assemblies that can be connected to the surgical housing for use during a

surgical technique and then disconnected from the housing after they have been used, and a motor and/or an actuator configured to fire the end effectors. In various circumstances, a surgeon can choose from several different replaceable end effectors for use during a surgical procedure. For example, a surgeon may first select a first replaceable end effector configured to staple and/or incise a patient's tissue that includes a staple cartridge length of approximately 15 millimeters ("mm"), for example, to make a first cut in the patient tissue. In such an embodiment, a cutting blade and/or a staple-driving sled can be advanced along the approximately 15 mm length of the staple cartridge by a drive screw in order to cut and staple approximately 15 mm of patient tissue. The surgeon may then select a second replaceable end effector, also configured to staple and/or incise patient tissue, which can include a staple cartridge length of approximately 30 mm to make a second cut in the patient's tissue. In such an embodiment, a cutting blade and/or a staple-driving sled can be advanced along the approximately 30 mm length of the staple cartridge by a drive screw to cut and staple approximately 30 mm of the patient's tissue. The surgeon may also select a replaceable end effector configured to staple and/or incise patient tissue that includes a staple cartridge length of approximately 45 mm to make a cut in the patient's tissue, for example. In such an embodiment, a cutting blade and/or a staple driving sled can be advanced along the approximately 45 mm length of the staple cartridge by a drive screw to cut and staple approximately 45 mm of the patient's tissue. The surgeon may also select a replaceable end effector, which can also be configured to staple and/or incise patient tissue, which includes a staple cartridge length of approximately 60 mm to make a cut in the patient's tissue, for example. In such an embodiment, a cutting blade and/or a staple driving sled can be advanced along the approximately 60 mm length of the staple cartridge by a drive screw to cut and staple approximately 60 mm of the patient's tissue. The 15 mm, 30 mm, 45 mm, and/or 60 mm lengths of the end effectors discussed above are exemplary. Other lengths can be used. In certain embodiments, a first end effector can include a staple cartridge having a length of x , a second end effector can include a staple cartridge having a length of approximately $2*x$, a third end effector can include a staple cartridge having a length of approximately $3*x$, and a fourth end effector can include a staple cartridge having a length of approximately $4*x$, for example.

[0303] In some surgical instrument systems utilizing replaceable end effectors having different lengths, the drive screws in each of the different replaceable end effectors may be identical

except that the length of each drive screw may be different in order to accommodate the different length of the associated replaceable end effector. For example, a replaceable end effector comprising a 30 mm staple cartridge may require a drive screw which is longer than the drive screw of a replaceable end effector comprising a 15 mm staple cartridge. In each instance of such surgical instrument systems, however, each drive screw which utilizes the same thread pitch and/or thread lead, described in greater detail below, may require the motor to rotate the drive shaft a different number of revolutions depending on the length of the end effector being used in order for each end effector to be fully fired. For instance, a drive screw providing a 30 mm firing stroke may require twice as many revolutions in order to be fully actuated as compared to a drive screw providing a 15 mm firing stroke. In such surgical instrument systems, electronic communication between the surgical housing and the replaceable end effector can be utilized to ensure that the electric motor in the surgical housing turns a correct number of revolutions for the length of the attached replaceable end effector. For example, a replaceable end effector may include an electronic circuit that can be identified by the surgical instrument system so that surgical instrument system can turn the motor a correct number of revolutions for the attached end effector. In addition to or in lieu of the above, the replaceable end effector may include a sensor that senses when an end effector has been completely actuated. In such an embodiment, the sensor can be in signal communication with a controller in the housing configured to stop the motor when the appropriate signal is received. While suitable for their intended purposes, such electronic communication between the surgical housing and the replaceable end effector may increase the complexity and/or cost of such surgical instrument systems.

[0304] As outlined above, end effectors having different lengths can be used on the same surgical instrument system. In the surgical instrument systems described above, replaceable end effectors having different firing lengths include drive screws that revolve a different number of times to accommodate the different firing lengths. In order to accommodate the different number of revolutions required for different drive screws, the motor driving the drive screw is operated for a longer duration or a shorter duration, and/or a larger number of revolutions or a smaller number of revolutions, depending on whether a longer firing length or a shorter firing length is needed. Embodiments of replaceable end effectors described below enable a surgical instrument system comprising a motor configured to turn a fixed or set number of revolutions to actuate end effectors having different firing lengths. By operating the motor a fixed number of

revolutions, the need for the surgical instrument system to identify the length of the end effector may not be necessary. Each end effector in the embodiments described below includes a drive screw with a thread pitch and/or thread lead that enables an actuating portion of an end effector, such as a cutting blade, for example, to travel the full length of a particular end effector in the fixed number of revolutions of the motor.

[0305] Referring to FIG. 105, a drive screw 1700 can be rotated in a first direction to move a cutting blade 1730 of an end effector 1740 in a distal direction indicated by arrow E. In use, the drive screw 1700 can be rotated a fixed or set number of times to advance the cutting blade 1730 a full firing length, indicated by length L in FIG. 105. For each revolution of the drive screw 1700, in certain embodiments, the cutting blade 1730 can be moved in the direction of arrow E by an amount equal to the thread pitch, thread lead, and/or distance between adjacent windings of thread 1708 on the drive screw 1700, described below in greater detail. In various embodiments, a first drive screw can include a first set of characteristics that defines a first firing length while a second drive screw can include a second set of characteristics that defines a second firing length wherein the first set of characteristics can be different than the second set of characteristics.

[0306] Now referring to FIGS. 106A, 107, 108A, and 109A, further to the above, the distance between thread windings on a drive screw can be proportional to the angle of threads on the drive screw. Put differently, the angle at which threads are arranged on a drive screw can be a characteristic of a drive screw that defines the thread pitch and/or thread lead of the drive screw. A longer drive screw for use in a longer end effector can utilize a larger thread pitch and/or thread lead than a shorter drive screw for use in a shorter end effector in embodiments where the drive screws, and a motor driving the drive screws, turn a fixed number of revolutions. The drive screw 1700 in FIG. 106A includes a single thread A arranged at an angle α relative to the longitudinal axis 1701 on the drive screw 1700 wherein the thread A defines a thread pitch and/or thread lead having a length X. FIG. 106B shows a cross-sectional view of the drive screw 1700 and the single thread A. In certain embodiments, the drive screw 1700 may include more than one thread, as described in greater detail below.

[0307] FIG. 107A shows a drive screw 1700' which can include a first thread A' and a second thread B'. FIG. 107B shows a cross-sectional view of the drive screw 1700' wherein the first thread A' and the second thread B' are positioned approximately 180° out of phase with each

other on the drive screw 1700'. In various embodiments, a drive screw with a first thread A' and a second thread B' can increase the number of threads per unit length compared to a drive screw using a single thread A' or B'. Where a drive screw includes more than one thread, the distance from a winding of a first thread to an adjacent winding of a second thread is referred to as "thread pitch." The distance from one winding of a thread to the next winding of the same thread is referred to as "thread lead." For a drive screw with a single thread, the thread pitch and the thread lead are the same. For example, and with reference to FIG. 107A, the distance from a winding of thread A' to an adjacent winding of thread B' defines the thread pitch of the drive screw 1700'. The distance from a winding of thread A' to the next winding of thread A' defines the thread lead of the drive screw 1700'. Thus, the thread lead of the drive screw 1700' in FIG. 107A is equal to X' and the thread pitch is equal to X'/2. The drive screw 1700 shown in FIGS. 106A and 106B has a single thread and therefore the thread pitch and thread lead are both equal to X. The thread lead of a drive screw determines the length that a firing member, such as a cutting blade 1730 and/or a staple driver, for example, will travel for a single revolution of the drive screw.

[0308] Returning to FIG. 107A, the first thread A' and the second thread B' each are arranged at an angle β relative to the longitudinal axis 1701 of the drive screw 1700'. Angle β is less than angle α and the thread lead X' of the drive screw 1700' in FIG. 107A is greater than the thread lead X of the drive screw 1700 shown in FIG. 106A. For a single rotation of the drive screw 1700', a cutting blade will move a length X' along the drive screw 1700'. For example, the thread lead X' can be double the thread pitch or thread lead X of the drive screw 1700 shown in FIG. 106A wherein, as a result, a cutting blade engaged with the drive screw 1700' of FIG. 107A will move twice the distance for a single revolution of drive screw 1700' as would a cutting blade engaged with the drive screw 1700 of FIG. 106A.

[0309] FIG. 108A shows a drive screw 1700'' which can include a first thread A'', a second thread B'', and a third thread C'' each extending at an angle γ relative to the longitudinal axis 1701 of the drive screw 1700''. FIG. 108B is a cross-sectional view of the drive screw 1700'' and shows the threads A'', B'', and C'' arranged approximately 120° out of phase. The angle γ is smaller than the angle β in FIG. 107A and the thread lead X'' of the drive screw 1700'' in FIG. 108A is greater than the thread lead X' of the drive screw 1700' shown in FIG. 107A. Similarly, FIG. 109A shows a drive screw 1700''' which can include a first thread A''', a second

thread B''', a third thread C''', and a fourth thread D''', each of which extends at an angle δ relative to the longitudinal axis Z of the drive screw 1700'''. FIG. 109B is a cross-sectional view of the drive screw 1700''' and shows the threads arranged approximately 90° out of phase. The angle δ is smaller than angle γ and the thread lead X''' of the drive screw 1700''' is larger than that of drive screw 1700'' in FIG. 108A.

[0310] An exemplary surgical instrument system may include a housing and a motor in the housing configured to turn a fixed number of revolutions that results in a drive screw of a connected replaceable end effector turning 30 revolutions, for example. The surgical instrument system can further include a plurality of replaceable surgical stapler end effectors, wherein each of the end effectors can include a cutting blade and/or staple driver driven by the drive screw, for example. In at least one such embodiment, a first replaceable end effector can include a staple cartridge having a length of 15 mm, for example. The drive screw 1700 shown in FIGS. 2A and 2B can be used in the first replaceable end effector. The thread lead X can be set to 0.5 mm, for example, so that the cutting blade and/or staple driver can travel the 15 mm length of the staple cartridge in the 30 revolutions of the drive screw 1700. A second replaceable end effector can include a staple cartridge having a length of 30 mm, for example, and a drive screw, such as drive screw 1700'' illustrated in FIGS. 107A and 107B, for example. The thread lead X' of the drive screw 1700' can be set to 1.0 mm, for example, so that the cutting blade and/or staple driver can travel the 30 mm length of the staple cartridge in the 30 revolutions of the drive screw 1700'. Similarly, a third replaceable end effector with a staple cartridge having a length of 45 mm, for example, can include a drive screw, such as drive screw 1700'' in FIGS. 108A and 108B, having a thread lead X'' of 1.5 mm, for example, so that the cutting blade and/or staple driver travels the 45 mm length of the staple deck in the 30 revolutions of the drive screw 1700''. A fourth replaceable end effector with a staple cartridge having a length of 60 mm, for example can include a drive screw, such as drive screw 1700''' in FIGS. 109A and 109B, having a thread lead X''' of 2.0 mm, for example, so that the cutting blade and/or staple driver travels the 60 mm length of the staple deck in the 30 revolutions of the drive screw 1700'''.

[0311] FIG. 110 shows the cutting blade 1730 of FIG. 105 removed from the remainder of the end effector 1740. The cutting blade 1730 includes a passage 1732 through which the drive screw 1700 passes. Side portions 1736 form interior walls of the passage 1732 and can include recesses, such as grooves 1734, for example, which are configured to receive threads 1708 on the

drive screw 1700. The grooves 1734 are oriented at an angle ε that corresponds to the angle of the threads 1708 on the drive screw 1700. For example, if the threads 1708 are set to the angle α , shown in FIG. 106A, then the angle ε of the grooves 1734 can also be set to the angle α . Correspondingly, the angle ε of the grooves 1734 can be set to the angles β , δ and/or γ , for example, of the corresponding drive screw used therewith.

[0312] In various embodiments, as illustrated in the exploded view of FIG. 110, the side portions 1736 can be assembled into windows 1738 defined in a shaft portion 1746 of the cutting blade 1730. In certain embodiments, a cutting blade 1730 can comprise integral side portions. In at least one embodiment, the side portions can comprise an appropriate groove angle ε matching an angle of the threads 1708 on a drive screw 1700 which can be formed in the passage 1732 defined therein. Providing a cutting blade 1730 with an appropriate groove angle ε for a particular drive screw can be accomplished in numerous ways. In certain embodiments, a generic cutting blade 1730 can be provided that does not include side portions 1736 assembled into the windows 1738 of the shaft portion 1746 thereof wherein various sets of side portions 1736 can be provided such that a desired set of side portions 1736 can be selected from the various sets of side portions 1736 and then assembled to the generic cutting blade 1730 so that such an assembly can be used with a specific drive screw. For instance, a first set of side portions 1736, when assembled to the cutting blade 1730, can configure the cutting blade 1730 to be used with a first drive screw and a second set of side portions 1736, when assembled to the cutting blade 1730, can configure the cutting blade 1730 to be used with a second drive screw, and so forth. In certain other embodiments, a cutting blade 1730 can be provided with side portions formed integrally therewith. In at least one such embodiment, the grooves 1734 can be formed, e.g., with a tap, at the angle ε that matches the angle of threads 1708 of a particular drive screw 1700.

[0313] FIG. 111 illustrates the drive screw 1700 coupled to a drive shaft 1750 via an intermediate gear 1720 disposed therebetween. The drive shaft 1750 is turned by a motor. As described above, the motor can complete a fixed or set number of revolutions and, as a result, the drive shaft 1750 can turn a fixed number of revolutions R . In certain embodiments, the number of revolutions R turned by the drive shaft 1750 may be equal to the fixed number of revolutions turned by the motor. In alternative embodiments, the number of revolutions R turned by the drive shaft 1750 may be greater than or less than the fixed number revolutions turned by the

motor. In various embodiments, one or more gears arranged between the motor and the drive shaft 1750 can cause the drive shaft 1750 to complete more revolutions or fewer revolutions than the motor. In certain embodiments, the drive shaft 1750 can include an external spline gear 1752 surrounding and/or attached to the distal end 1754 of the drive shaft 1750. The external spline gear 1752 can engage an internal spline gear 1724 defined in the intermediate gear 1720 in order to transmit rotation of the drive shaft 1750 to the intermediate gear 1720. As a result, in at least one embodiment, the intermediate gear 1720 can complete the same revolutions R as the drive shaft 1750.

[0314] The intermediate gear 1720 can include a second gear 1722 that is engaged to a gear 1712 surrounding and/or attached to a proximal end 1702 of the drive screw 1700. The second gear 1722 of the intermediate gear 1720 defines a first diameter $D1$ and the gear 1712 on the proximal end 1702 of the drive screw 1700 defines a second diameter $D2$. The second diameter $D2$ can be different than the first diameter $D1$. When the first diameter $D1$ and the second diameter $D2$ are different, they can define a gear ratio that is different than 1:1. As shown in FIG. 111, in certain embodiments, diameter $D1$ can be larger than diameter $D2$ such that the drive screw 1700 will complete more revolutions R' than the revolutions R turned by the drive shaft 1750 and the intermediate gear 1720. In alternative embodiments, diameter $D1$ can be smaller than diameter $D2$ such that the drive screw 1700 will turn fewer revolutions R' than the revolutions R turned by the drive shaft 1750 and the intermediate gear 1720.

[0315] The gear ratio between the second gear 1722 of the intermediate gear 1720 and the gear 1712 of the drive screw 1700 can be set so that the drive screw 1700 completes a certain number of revolutions when the drive shaft 1750 completes its fixed number of revolutions. If the intermediate gear 1722 is part of the replaceable end effector assembly, then the gear ratio between the intermediate gear 1722 and the drive screw 1700 in each replaceable end effector assembly can be set so that the motor in the surgical housing can turn a fixed number of revolutions. For example, referring to FIG. 111, assuming that the drive shaft 1750 turns a fixed 30 revolutions and that the replaceable surgical stapler includes a 15 mm staple cartridge and if the end effector includes a drive screw with a thread lead of 0.25 mm, then the drive screw will complete 60 revolutions to advance a cutting blade and/or a staple driver the 15 mm length of the staple cartridge. In at least one embodiment, the intermediate gear 1720 can be sized so that the second interior gear 1722 has a diameter $D1$ that is double the diameter $D2$ of the external gear

1712 of the drive screw 1700. As a result, the drive screw 1700 will complete 60 revolutions when the drive shaft 1750 completes 30 revolutions. If a second replaceable surgical stapler includes a 30 mm staple cartridge, then a drive screw with a thread lead of 0.25 mm will complete 120 revolutions to advance a cutting blade and/or staple driver the 30 mm length. The intermediate gear 1720 of the replaceable surgical stapler can be sized so that the second interior gear 1722 has a diameter $D1$ that is four times the diameter $D2$ of the external gear 1712 of the drive screw 1700. As a result, the drive screw 1700 will complete 120 revolutions when the drive shaft 1750 completes 30 revolutions.

[0316] Returning to FIG. 105, in certain embodiments, a firing path of the firing member, e.g., cutting blade 1730, can be linear. In certain embodiments, the firing patch can be curved and/or curvilinear. In certain embodiments, the drive screw 1708 can be flexible to enable the drive screw 1708 to follow lateral motions of the firing member along a curved and/or curvilinear path, for example. In certain embodiments, the firing member can be flexible or can include at least one flexible portion to enable portions of the firing member to displace laterally relative to the drive screw 1708, for example, along a curved and/or curvilinear path while remaining portions of the firing member are not laterally displaced relative to the drive screw 1708. In certain embodiments, the firing length may be defined by the distance moved by the firing member along the firing path regardless of the overall net displacement. In various other embodiments, the firing length may be defined by the overall net displacement of the firing member regardless of the firing path.

[0317] In various embodiments, a kit for use with a surgical instrument system may be provided that includes various replaceable end effectors having different lengths. In certain embodiments, the kit may include a selection of replaceable end effectors having different lengths from which a surgeon may choose for use in a surgical operation on a patient. The kit can also include several replaceable end effectors of each length. In certain embodiments, the kit may include a sequence of replaceable end effectors of different lengths wherein the sequence is predetermined for a particular surgical procedure. For example, a certain surgical procedure first may call for a 15 mm incision, then a second 15 mm incision, and finally a 30 mm incision. A surgical kit for this surgical procedure can include three replaceable end effectors configured to incise and staple a patient's tissue. The first two replaceable end effectors can include an

approximately 15 mm length and the third replaceable end effector can include an approximately 30 mm length.

[0318] FIGS. 112-117 illustrate another exemplary elongate shaft assembly 2200 that has another exemplary quick disconnect coupler arrangement 2210 therein. In at least one form, for example, the quick disconnect coupler arrangement 2210 includes a proximal coupler member 2212 in the form of a proximal outer tube segment 2214 that has tube gear segment 354 thereon that is configured to interface with the first drive system 350 in the above-described manner. As discussed above, the first drive system 350 serves to rotate the elongate shaft assembly 2200 and the end effector 1000 operably coupled thereto about the longitudinal tool axis "LT-LT". The proximal outer tube segment 2214 has a "necked-down" distal end portion 2216 that is configured to receive a locking tube segment 2220 thereon. The quick disconnect arrangement 2210 further includes a distal coupler member 2217 in the form of a distal outer tube portion 2218 that is substantially similar to the distal outer tube portion 231 described above except that the distal outer tube portion 2218 includes a necked down proximal end portion 2219. A distal outer formation or dovetail joint 2226 is formed on the end of the proximal end portion 2219 of the distal outer tube segment 2218 that is configured to drivingly engage a proximal outer formation or dovetail joint 2228 that is formed on the distal end portion 2216 of the proximal outer tube segment 2214.

[0319] The exemplary embodiment depicted in FIGS. 112-117 employs an exemplary embodiment of the closure system 670 described above. The quick disconnect coupler arrangement 2210 is configured to facilitate operable coupling of proximal closure drive train assemblies to corresponding distal drive train assemblies. For example, as can be seen in FIG. 113, the elongate shaft assembly 2200 may include a first proximal closure drive train assembly in the form of a first proximal closure rod segment 2230 and a first distal closure drive train assembly in the form of a first distal closure rod segment 2240 that are configured to be linked together through the quick disconnect coupler arrangement 2210. That is, in at least one exemplary form, the first proximal closure rod segment 2230 has a first closure joint formation or dovetail joint segment 2234 formed on a distal end 2232 thereof. Likewise, the first distal closure rod segment 2240 has a second closure joint formation or a dovetail joint segment 2244 formed on a proximal end 2242 thereof that is adapted to laterally slidably engage the first dovetail joint segment 2234. Still referring to FIG. 113, the elongate shaft assembly 2200 may

include a second proximal closure drive train assembly in the form of a second proximal closure rod segment 2250 and a second distal closure drive train assembly in the form of a second distal closure rod segment 2260 that are configured to be linked together through the quick disconnect coupler arrangement 2210. That is, in at least one exemplary form, the second proximal closure rod segment 2250 has a third closure joint formation or dovetail closure joint segment 2254 formed on a distal end 2252 thereof. Likewise, the distal second distal closure rod segment 2260 may have a fourth closure joint formation or dovetail closure joint segment 2264 formed on a proximal end 2262 of the distal second closure rod segment 2260 that is adapted to laterally engage the third dovetail joint segment 2254.

[0320] In the illustrated embodiment and others, the first proximal closure rod segment 2230 and the second proximal closure rod segment 2250 extend through the proximal drive shaft segment 380'. The proximal drive shaft segment 380' comprises a proximal rotary drive train assembly 387' and the distal drive shaft segment 540' comprises a distal rotary drive train assembly 548'. When the proximal rotary drive train assembly 387' is operably coupled to the distal rotary drive train assembly 548', the drive shaft assembly 388' is formed to transmit rotary control motions to the end effector 1000. In at least one exemplary embodiment, the proximal drive shaft segment 380' is substantially similar to the proximal drive shaft segment 380 described above, except that the distal end 381' of the proximal drive shaft segment 380' has a distal formation or dovetail drive joint 2270 formed thereon. Similarly, the distal drive shaft segment 540' may be substantially similar to the distal drive shaft segment 540 described above, except that a proximal formation dovetail drive joint 2280 is formed on the proximal end 542' thereof that is adapted to drivingly engage the distal dovetail drive joint 2270 through the quick disconnect coupler arrangement 2210. The first distal closure rod segment 2240 and the distal second closure rod segment 2260 may also extend through the distal drive shaft segment 540'.

[0321] This exemplary embodiment may also include an articulation coupling joint 2300 that interfaces with the third and fourth drive cables 434, 454. As can be seen in FIG. 113, the articulation coupling joint 2300 comprises a proximal articulation tube 2302 that has a proximal ball joint segment 2306 formed on a distal end 2304 thereof. The proximal articulation tube 2302 includes passages 2308 for receiving the cable end portions 434A', 434B', 454A', 454B' therethrough. A proximal ball joint segment 2310 is movably supported on the proximal ball segment 2306. Proximal cable segments 434A', 434B', 454A', 454B' extend through passages

2308 to be attached to the proximal ball joint segment 2310. The proximal articulation tube 2302, the proximal ball joint segment 2310 and the proximal cable segments 434A', 434B', 454A', 454B' may be collectively referred to as a proximal articulation drive train portion 2314.

[0322] The exemplary articulation coupling joint 2300 may also comprise a distal articulation tube 2320 that has a distal ball joint segment 2324 formed on a proximal end 2322 thereof. The distal ball joint segment 2324 has a first distal formation or dovetail joint 2325 formed thereon that is adapted to drivingly engage a first proximal formation or dovetail joint 2307 formed on the proximal ball joint segment 2306 such that when the first distal dovetail joint 2325 drivingly engages the first proximal dovetail joint 2307, the distal ball joint segment 2324 and the proximal ball joint segment 2306 form an internal articulation ball assembly. In addition, the articulation coupling joint 2300 further comprises a distal ball segment 2330 that is supported on the distal ball joint segment 2324 and has a second distal formation or dovetail joint 2332 formed thereon that is adapted to drivingly engage a second proximal formation or dovetail joint 2312 on the proximal ball joint segment 2310. The distal cable segments 444, 445, 446, 447 are attached to the distal ball segment 2340 and extend through passages 2328 in the distal articulation tube 2320. When joined together, the proximal ball joint segment 2310 and the distal ball joint segment 2324 form an articulation ball 2340 that is movably journaled on the internal articulation ball. The distal articulation tube 2320, the distal ball segment 2340 and the distal cable segments 444, 445, 446, 447 may be collectively referred to as a proximal articulation drive train assembly 2316.

[0323] As can be seen in FIG. 115, the distal portions of the elongate shaft assembly 2200 may be assembled such that the following joint segments are retained in registration with each other by the distal coupler 2217 or distal outer tube portion 2218 to form a distal dovetail joint assembly generally referred to as 2290: 2226, 2332, 2325, 2280, 2244 and 2264. Likewise, the elongate shaft assembly 2200 may be assembled such that the proximal coupler member 2212 or proximal outer tube segment 2214 retains the following joint segments in registration with each other to form a proximal dovetail joint assembly generally designated as 2292: 2228, 2312, 2307, 2270, 2234 and 2254.

[0324] The end effector 1000 may be operably coupled to the elongate shaft assembly 2200 as follows. To commence the attachment, the clinician moves the locking tube segment 2220 to a first unlocked position shown in FIGS. 115 and 116. As can be seen in those Figures, the

locking tube segment has an abutment segment 2224 formed on its distal end 2222. When in the unlocked position, the abutment segment 2224 protrudes distally beyond the proximal dovetail joint assembly 2292 to form an abutment surface for laterally joining the distal dovetail joint assembly 2290 with the proximal dovetail joint assembly 2292. That is, the clinician may laterally align the distal dovetail joint assembly 2290 with the proximal dovetail joint assembly 2292 and then slide the distal dovetail joint assembly 2290 into lateral engagement with the proximal dovetail joint assembly 2292 until the distal dovetail joint assembly 2290 contacts the abutment segment 2224 at which point all of the corresponding proximal and distal joint segments are simultaneously interconnected. Thereafter, the clinician may move the locking tube segment 2220 distally to a second locked position as shown in FIG. 117. When in that position, the locking tube segment 2220 covers the quick disconnect joint 2210 and prevents any relative lateral movement between the distal dovetail assembly 2290 and the proximal dovetail assembly 2292.

[0325] While the various exemplary embodiments described above are configured to operably interface with and be at least partially actuated by a robotic system, the end effector and elongate shaft components may be effectively employed in connection with handheld instruments. For example, FIGS. 118-120 depict a handheld surgical instrument 2400 that may employ various components and systems described above to operably actuate an end effector 1000 coupled thereto. In the exemplary embodiment depicted in FIGS. 118-120, a quick disconnect joint 2210 is employed to couple the end effector 1000 to the elongate shaft assembly 2402. To facilitate articulation of the end effector 1000 about the articulation joint 700, the proximal portion of the elongate shaft assembly 2402 includes an exemplary manually actuatable articulation drive 2410.

[0326] Referring now to FIGS. 121-123, in at least one exemplary form, the articulation drive 2410 includes four axially movable articulation slides that are movably journaled on the proximal drive shaft segment 380' between the proximal outer tube segment 2214 and the proximal drive shaft segment 380'. For example, the articulation cable segment 434A' is attached to a first articulation slide 2420 that has a first articulation actuator rod 2422 protruding therefrom. Articulation cable segment 434B' is attached to a second articulation slide 2430 that is diametrically opposite from the first articulation slide 2420. The second articulation slide 2430 has a second articulation actuator rod 2432 protruding therefrom. Articulation cable segment 454A' is attached to a third articulation slide 2440 that has a third articulation actuator

rod 2442 protruding therefrom. Articulation cable segment 454B' is attached to a fourth articulation slide 2450 that is diametrically opposite to the third articulation slide 2440. A fourth articulation actuator rod 2452 protrudes from the fourth articulation slide 2450. Articulation actuator rods 2422, 2432, 2442, 2452 facilitate the application of articulation control motions to the articulation slides 2420, 2430, 2440, 2450, respectively by an articulation ring assembly 2460.

[0327] As can be seen in FIG. 121, the articulation actuator rods 2422, 2432, 2442, 2452 movably pass through a mounting ball 2470 that is journaled on a proximal outer tube segment 2404. In at least one embodiment, the mounting ball 2470 may be manufactured in segments that are attached together by appropriate fastener arrangements (e.g., welding, adhesive, screws, etc.). As shown in FIG. 109, the articulation actuator rods 2422 and 2432 extend through slots 2472 in the proximal outer tube segment 2404 and slots 2474 in the mounting ball 2470 to enable the articulation slides 2420, 2430 to axially move relative thereto. Although not shown, the articulation actuator rods 2442, 2452 extend through similar slots 2472, 2474 in the proximal outer tube segment 2404 and the mounting ball 2470. Each of the articulation actuator rods 2422, 2432, 2442, 2452 protrude out of the corresponding slots 2474 in the mounting ball 2470 to be operably received within corresponding mounting sockets 2466 in the articulation ring assembly 2460. See FIG. 122.

[0328] In at least one exemplary form, the articulation ring assembly 2460 is fabricated from a pair of ring segments 2480, 2490 that are joined together by, for example, welding, adhesive, snap features, screws, etc. to form the articulation ring assembly 2460. The ring segments 2480, 2490 cooperate to form the mounting sockets 2466. Each of the articulation actuator rods has a mounting ball 2468 formed thereon that are each adapted to be movably received within a corresponding mounting socket 2466 in the articulation ring assembly 2460.

[0329] Various exemplary embodiments of the articulation drive 2410 may further include an exemplary locking system 2486 configured to retain the articulation ring assembly 2460 in an actuated position. In at least one exemplary form, the locking system 2486 comprises a plurality of locking flaps formed on the articulation ring assembly 2460. For example, the ring segments 2480, 2490 may be fabricated from a somewhat flexible polymer or rubber material. Ring segment 2480 has a series of flexible proximal locking flaps 2488 formed therein and ring segment 2490 has a series of flexible distal locking flaps 2498 formed therein. Each locking flap

2388 has at least one locking detent 2389 formed thereon and each locking flap 2398 has at least one locking detent 2399 thereon. Locking detents 2389, 2399 may serve to establish a desired amount of locking friction with the articulation ball so as to retain the articulation ball in position. In other exemplary embodiments, the locking detents 2389, 2390 are configured to matingly engage various locking dimples formed in the outer perimeter of the mounting ball 2470.

[0330] Operation of the articulation drive 2410 can be understood from reference to FIGS. 122 and 123. FIG. 122 illustrates the articulation drive 2410 in an unarticulated position. In FIG. 123, the clinician has manually tilted the articulation ring assembly 2460 to cause the articulation slide 2420 to move axially in the distal direction “DD” thereby advancing the articulation cable segment 434A’ distally. Such movement of the articulation ring assembly 2460 also results in the axial movement of the articulation slide 2430 in the proximal direction which ultimately pulls the articulation cable 434B in the proximal direction. Such pushing and pulling of the articulation cable segments 434A’, 434B’ will result in articulation of the end effector 1000 relative to the longitudinal tool axis “LT-LT” in the manner described above. To reverse the direction of articulation, the clinician simply reverses the orientation of the articulation ring assembly 2460 to thereby cause the articulation slide 2430 to move in the distal direction “DD” and the articulation slide 2420 to move in the proximal direction “PD”. The articulation ring assembly 2460 may be similarly actuated to apply desired pushing and pulling motions to the articulation cable segments 454A’, 454B’. The friction created between the locking detents 2389, 2399 and the outer perimeter of the mounting ball serves to retain the articulation drive 2410 in position after the end effector 1000 has been articulated to the desired position. In alternative exemplary embodiments, when the locking detents 2389, 2399 are positioned so as to be received in corresponding locking dimples in the mounting ball, the mounting ball will be retained in position.

[0331] In the illustrated exemplary embodiments and others, the elongate shaft assembly 2402 operably interfaces with a handle assembly 2500. An exemplary embodiment of handle assembly 2500 comprises a pair of handle housing segments 2502, 2504 that are coupled together to form a housing for various drive components and systems as will be discussed in further detail below. See, e.g., FIGS. 118 and 119. The handle housing segments 2502, 2504 may be coupled together by screws, snap features, adhesive, etc. When coupled together, the

handle segments 2502, 2504 may form a handle assembly 2500 that includes a pistol grip portion 2506.

[0332] To facilitate selective rotation of the end effector 1000 about the longitudinal tool axis “LT=LT”, the elongate shaft assembly 2402 may interface with a first drive system, generally designated as 2510. The drive system 2510 includes a manually-actuatable rotation nozzle 2512 that is rotatably supported on the handle assembly 2500 such that it can be rotated relative thereto as well as be axially moved between a locked position and an unlocked position.

[0333] The surgical instrument 2400 may include a closure system 670 as was described above for applying opening and closing motions to the anvil 1100 of the end effector 1000. In this exemplary embodiment, however, the closure system 670 is actuated by a closure trigger 2530 that is pivotally mounted to the handle frame assembly 2520 that is supported within the handle housing segments 2502, 2504. The closure trigger 2530 includes an actuation portion 2532 that is pivotally mounted on a pivot pin 2531 that is supported within the handle frame assembly 2520. See FIG. 124. Such exemplary arrangement facilitates pivotal travel toward and away from the pistol grip portion 2506 of the handle assembly 2500. As can be seen in FIG. 124, the closure trigger 2530 includes a closure link 2534 that is linked to the first pivot link and gear assembly 695 by a closure wire 2535. Thus, by pivoting the closure trigger 2530 toward the pistol grip portion 2506 of the handle assembly 2500 into an actuated position, the closure link 2534 and closure wire 2535 causes the first pivot link and gear assembly 695 to move the first closure rod segment 680 in the distal direction “DD” to close the anvil.

[0334] The surgical instrument 2400 may further include a closure trigger locking system 2536 to retain the closure trigger in the actuated position. In at least one exemplary form, the closure trigger locking system 2536 includes a closure lock member 2538 that is pivotally coupled to the handle frame assembly 2520. As can be seen in FIGS. 125 and 126, the closure lock member 2538 has a lock arm 2539 formed thereon that is configured to ride upon an arcuate portion 2537 of the closure link 2532 as the closure trigger 2530 is actuated toward the pistol grip portion 2506. When the closure trigger 2530 has been pivoted to the fully actuated position, the lock arm 2539 drops behind the end of the closure link 2532 and prevents the closure trigger 2530 from returning to its unactuated position. Thus, the anvil 1100 will be locked in its closed position. To enable the closure trigger 2530 to return to its unactuated position and thereby result in the movement of the anvil from the closed position to the open position, the clinician

simply pivots the closure lock member 2538 until the lock arm 2539 thereof disengages the end of the closure link 2532 to thereby permit the closure link 2532 to move to the unactuated position.

[0335] The closure trigger 2532 is returned to the unactuated position by a closure return system 2540. For example, as can be seen in FIG. 124, one exemplary form of the closure trigger return system 2540 includes a closure trigger slide member 2542 that is linked to the closure link 2534 by a closure trigger yoke 2544. The closure trigger slide member 2542 is slidably supported within a slide cavity 2522 in the handle frame assembly 2520. A closure trigger return spring 2546 is positioned within the slide cavity 2520 to apply a biasing force to the closure trigger slide member 2542. Thus, when the clinician actuates the closure trigger 2530, the closure trigger yoke 2544 moves the closure trigger slide member 2542 in the distal direction “DD” compressing the closure trigger return spring 2546. When the closure trigger locking system 2536 is disengaged and the closure trigger is released 2530, the closure trigger return spring 2546 moves the closure trigger slide member 2542 in the proximal direction “PD” to thereby pivot the closure trigger 2530 into the starting unactuated position.

[0336] The surgical instrument 2400 can also employ any of the various exemplary drive shaft assemblies described above. In at least one exemplary form, the surgical instrument 2400 employs a second drive system 2550 for applying rotary control motions to a proximal drive shaft assembly 380'. See FIG. 128. The second drive system 2550 may include a motor assembly 2552 that is operably supported in the pistol grip portion 2506. The motor assembly 2552 may be powered by a battery pack 2554 that is removably attached to the handle assembly 2500 or it may be powered by a source of alternating current. A second drive gear 2556 is operably coupled to the drive shaft 2555 of the motor assembly 2552. The second drive gear 2556 is supported for meshing engagement with a second rotary driven gear 2558 that is attached to the proximal drive shaft segment 380' of the drive shaft assembly. In at least one form, for example, the second drive gear 2556 is also axially movable on the motor drive shaft 2555 relative to the motor assembly 2552 in the directions represented by arrow “U” in FIG. 128. A biasing member, e.g., a coil spring 2560 or similar member, is positioned between the second drive gear 2556 and the motor housing 2553 and serves to bias the second drive gear 2556 on the motor drive shaft 2555 into meshing engagement with a first gear segment 2559 on the second driven gear 2558.

[0337] The second drive system 2550 may further include a firing trigger assembly 2570 that is movably, e.g., pivotally attached to the handle frame assembly 2520. In at least one exemplary form, for example, the firing trigger assembly 2570 includes a first rotary drive trigger 2572 that cooperates with a corresponding switch/contact (not shown) that electrically communicates with the motor assembly 2552 and which, upon activation, causes the motor assembly 2552 to apply a first rotary drive motion to the second driven gear 2558. In addition, the firing trigger assembly 2570 further includes a retraction drive trigger 2574 that is pivotal relative to the first rotary drive trigger. The retraction drive trigger 2574 operably interfaces with a switch/contact (not shown) that is in electrical communication with the motor assembly 2552 and which, upon activation, causes the motor assembly 2552 to apply a second rotary drive motion to the second driven gear 2558. The first rotary drive motion results in the rotation of the drive shaft assembly and the implement drive shaft in the end effector to cause the firing member to move distally in the end effector 1000. Conversely, the second rotary drive motion is opposite to the first rotary drive motion and will ultimately result in rotation of the drive shaft assembly and the implement drive shaft in a rotary direction which results in the proximal movement or retraction of the firing member in the end effector 1000.

[0338] The illustrated embodiment also includes a manually actuatable safety member 2580 that is pivotally attached to the closure trigger actuation portion 2532 and is selectively pivotable between a first “safe” position wherein the safety member 2580 physically prevents pivotal travel of the firing trigger assembly 2570 and a second “off” position, wherein the clinician can freely pivot the firing trigger assembly 2570. As can be seen in FIG. 124, a first dimple 2582 is provided in the closure trigger actuation portion 2532 that corresponds to the first position of the safety member 2580. When the safety member 2580 is in the first position, a detent (not shown) on the safety member 2580 is received within the first dimple 2582. A second dimple 2584 is also provided in the closure trigger actuation portion 2532 that corresponds to the second position of the safety member 2580. When the safety member 2580 is in the second position, the detent on the safety member 2580 is received within the second dimple 2582.

[0339] In at least some exemplary forms, the surgical instrument 2400 may include a mechanically actuatable reversing system, generally designated as 2590, for mechanically applying a reverse rotary motion to the proximal drive shaft segment 380' in the event that the motor assembly 2552 fails or battery power is lost or interrupted. Such mechanical reversing

system 2590 may also be particularly useful, for example, when the drive shaft system components operably coupled to the proximal drive shaft segment 380' become jammed or otherwise bound in such a way that would prevent reverse rotation of the drive shaft components under the motor power alone. In at least one exemplary form, the mechanically actuatable reversing system 2590 includes a reversing gear 2592 that is rotatably mounted on a shaft 2524A formed on the handle frame assembly 2520 in meshing engagement with a second gear segment 2562 on the second driven gear 2558. See FIG. 126. Thus, the reversing gear 2592 freely rotates on shaft 2524A when the second driven gear 2558 rotates the proximal drive shaft segment 380' of the drive shaft assembly.

[0340] In various exemplary forms, the mechanical reversing system 2590 further includes a manually actuatable driver 2594 in the form of a lever arm 2596. As can be seen in FIGS. 129 and 130, the lever arm 2596 includes a yoke portion 2597 that has elongate slots 2598 therethrough. The shaft 2524A extends through slot 2598A and a second opposing shaft 2598B formed on the handle housing assembly 2520 extends through the other elongate slot to movably affix the lever arm 2596 thereto. In addition, the lever arm 2596 has an actuator fin 2597 formed thereon that can meshingly engage the reversing gear 2592. There is a detent or interference that keeps the lever arm 2596 in the unactuated state until the clinician exerts a substantial force to actuate it. This keeps it from accidentally initiating if inverted. Other embodiments may employ a spring to bias the lever arm into the unactuated state. Various exemplary embodiments of the mechanical reversing system 2590 further includes a knife retractor button 2600 that is movably journaled in the handle frame assembly 2520. As can be seen in FIGS. 129 and 130, the knife retractor button 2600 includes a disengagement flap 2602 that is configured to engage the top of the second drive gear 2556. The knife retractor button 2600 is biased to a disengaged position by a knife retractor spring 2604. When in the disengaged position, the disengagement flap 2602 is biased out of engagement with the second drive gear 2556. Thus, until the clinician desires to activate the mechanical reversing system 2590 by depressing the knife retractor button 2600, the second drive gear 2556 is in meshing engagement with the first gear segment 2559 of the second driven gear 2558.

[0341] When the clinician desires to apply a reverse rotary drive motion to the proximal drive shaft segment 380', the clinician depresses the knife retractor button 2600 to disengage the first gear segment 2559 on the second driven gear 2558 from the second drive gear 2556. Thereafter,

the clinician begins to apply a pivotal ratcheting motion to the manually actuatable driver 2594 which causes the gear fin 2597 thereon to drive the reversing gear 2592. The reversing gear 2592 is in meshing engagement with the second gear segment 2562 on the second driven gear 2558. Continued ratcheting of the manually actuatable driver 2594 results in the application of a reverse rotary drive motion to the second gear segment 2562 and ultimately to the proximal drive shaft segment 380'. The clinician may continue to ratchet the driver 2594 for as many times as are necessary to fully release or reverse the associated end effector component(s). Once a desired amount of reverse rotary motion has been applied to the proximal drive shaft segment 380', the clinician releases the knife retractor button 2600 and the driver 2594 to their respective starting or unactuated positions wherein the fin 2597 is out of engagement with the reversing gear 2592 and the second drive gear 2556 is once again in meshing engagement with the first gear segment 2559 on the second driven gear 2558.

[0342] The surgical instrument 2400 can also be employed with an end effector 1000 that includes a rotary transmission 750 as was described in detail above. As discussed above, when the drive shaft assembly is in a first axial position, rotary motion applied thereto results in the rotation of the entire end effector 1000 about the longitudinal tool axis "LT-LT" distal to the articulation joint 700. When the drive shaft assembly is in the second position, rotary motion applied thereto results in the rotation of the implement drive shaft which ultimately causes the actuation of the firing member within the end effector 1000.

[0343] The surgical instrument 2400 may employ a shifting system 2610 for selectively axially shifting the proximal drive shaft segment 380' which moves the shaft gear 376 into and out of meshing engagement with the first rotary driven gear 374. For example, the proximal drive shaft segment 380' is movably supported within the handle frame assembly 2520 such that the proximal drive shaft segment 380' may move axially and rotate therein. In at least one exemplary form, the shifting system 2610 further includes a shifter yoke 2612 that is slidably supported by the handle frame assembly 2520. See FIGS. 124 and 127. The proximal drive shaft segment 380' has a pair of collars 386 (shown in FIGS. 124 and 128) thereon such that shifting of the shifter yoke 2612 on the handle frame assembly 2520 results in the axial movement of the proximal drive shaft segment 380'. In at least one form, the shifting system 2610 further includes a shifter button assembly 2614 operably interfaces with the shifter yoke 2612 and extends through a slot 2505 in the handle housing segment 2504 of the handle

assembly 2500. See FIGS. 135 and 136. A shifter spring 2616 is mounted with the handle frame assembly 2520 such that it engages the proximal drive shaft segment 380'. See FIGS. 127 and 134. The spring 2616 serves to provide the clinician with an audible click and tactile feedback as the shifter button assembly 2614 is slidably positioned between the first axial position depicted in FIG. 135 wherein rotation of the drive shaft assembly results in rotation of the end effector 1000 about the longitudinal tool axis "LT-LT" relative to the articulation joint 700 (illustrated in FIG. 67) and the second axial position depicted in FIG. 136 wherein rotation of the drive shaft assembly results in the axial movement of the firing member in the end effector (illustrated in FIG. 66). Thus, such arrangement enables the clinician to easily slidably position the shifter button assembly 2614 while holding the handle assembly 2500.

[0344] FIGS. 137-147 illustrate a lockable articulation joint 2700 that, in one exemplary embodiment, is substantially identical to the articulation joint 700 described above except for the differences discussed below. In one exemplary embodiment, the articulation joint 2700 is locked and unlocked by an articulation lock system 2710. The articulation joint 2700 includes a proximal socket tube 702 that is attached to the distal end 233 of the distal outer tube portion 231 and defines a proximal ball socket 704 therein. See FIG. 137. A proximal ball member 706 that is attached to an intermediate articulation tube segment 712 is movably seated within the proximal ball socket 704 within the proximal socket tube 702. As can be seen in FIG. 137, the proximal ball member 706 has a central drive passage 708 that enables the distal drive shaft segment 540 to extend therethrough. In addition, the proximal ball member 706 has four articulation passages 710 therein which facilitate the passage of distal cable segments 444, 445, 446, 447 therethrough. As can be further seen in FIG. 137, the intermediate articulation tube segment 712 has an intermediate ball socket 714 formed therein. The intermediate ball socket 714 is configured to movably support therein an end effector ball 722 formed on an end effector connector tube 720. The distal cable segments 444, 445, 446, 447 extend through cable passages 724 formed in the end effector ball 722 and are attached thereto by lugs 726 received within corresponding passages 728 in the end effector ball 722. Other attachment arrangements may be employed for attaching distal cable segments 444, 445, 446, 447 to the end effector ball 722.

[0345] As can be seen in FIG. 137, one exemplary form of the articulation lock system 2710 includes a lock wire or member 2712 that extends through the distal outer tube portion 231 of elongate shaft assembly and the proximal socket tube 702. The lock wire 2712 has a proximal

end 2720 that is attached to a transfer disc 2722 that is operably supported in the handle portion 2500 (generally represented in broken lines in FIG. 137). For example, the transfer disc 2722 is mounted on a spindle shaft 2724 that is coupled to a boss 2726 formed in the handle 2500. An actuator cable or wire 2730 is attached to the transfer disc 2722 and may be manually actuated (i.e., pushed or pulled) by the clinician. In other embodiments wherein the surgical instrument is attached to the robotic system, the actuator cable 2730 may be configured to receive control motions from the robotic system to actuate the transfer disc 2722.

[0346] As can be seen in FIGS. 143-146, the lock wire 2712 has a pair of unlocking wedges 2714, 2716 formed on its distal end 2715. The first unlocking wedge 2714 is configured to operably interface with the ends 2742, 2744 of a distal locking ring 2740 that is journaled on the intermediate articulation tube 712. In its normal “locked” state as shown in FIG. 143, the distal locking ring 2740 applies a circumferentially-extending locking or squeezing force to the intermediate articulation tube 712 to squeeze the intermediate articulation tube 712 onto the end effector ball 722 to prevent its movement within the socket 714. As can be seen in FIGS. 143-146, the ends 2742, 2744 of the distal locking ring 2740 are tapered to define a conical or V-shaped opening 2746 therebetween configured to receive the first unlocking wedge 2714 therebetween.

[0347] As can be further seen in FIGS. 143-146, the second locking wedge 2716 is configured to interface with the ends 2752, 2754 of a proximal locking ring 2750 that is journaled on the proximal socket tube 702. In its normal “locked” state as shown in FIG. 143, the proximal locking ring 27450 applies a circumferentially-extending locking or squeezing force to the proximal socket tube 702 to squeeze the proximal socket tube 702 onto the proximal ball member 706 to prevent its movement within the proximal ball socket 704. As can be seen in FIGS. 143-146, the ends 2752, 2754 of the proximal locking ring 2750 are tapered to define a conical or V-shaped opening 2756 therebetween configured to receive the second unlocking wedge 2716 therebetween.

[0348] When the articulation joint 2700 is unlocked by actuation the articulation lock system 2710, the end effector 1000 may be selectively articulated in the various manners described above by actuating the distal cable segments 444, 445, 446, 447. Actuation of the articulation lock system 2710 may be understood from reference to FIGS. 138, 139 and 143-146. FIG. 143 depicts the positions of the first and second unlocking wedges 2714, 2716 with respect to the

distal and proximal locking rings 2740, 2750. When in that state, locking ring 2740 prevents movement of the end effector ball 722 within the socket 714 and the locking ring 2750 prevents the proximal ball member 706 from moving within socket 704. To unlock the articulation joint 2700, the actuation cable 2726 is pulled in the proximal direction "PD" which ultimately results in the locking wire 2712 being pushed in the distal direction "DD" to the position shown in FIG. 144. As can be seen in FIG. 144, the first unlocking wedge 2714 has moved distally between the ends 2742, 2744 of the distal locking ring 2740 to spread the ring 2740 to relieve the squeezing force applied to the intermediate articulation tube 712 to permit the end effector ball 722 to move within the socket 714. Likewise, the second unlocking wedge 2716 has moved distally between the ends 2752, 2754 of the proximal locking ring 2750 to spread the ring 2750 to relieve the squeezing force on the proximal socket tube 702 to permit the proximal ball member 706 to move within the socket 704. When in that unlocked position, the articulation system may be actuated to apply actuation motions to the distal cable segments 444, 445, 446, 447 in the above described manners to articulate the end effector 1000 as illustrated in FIGS. 138 and 139. For example, FIGS. 143 and 144 illustrate the position of the first and second locking wedges 2714, 2716 when the end effector 1000 has been articulated into the position illustrated in FIG. 138. Likewise, FIGS. 145, 146 illustrate the position of the first and second locking wedges 2714, 2716 when the end effector 1000 has been articulated into the position illustrated in FIG. 139. Once the clinician has articulated the end effector to the desired position, the clinician (or robotic system) applies a pushing motion to the actuation cable to rotate the transfer disc 2722 and move the locking wire 2712 to the position shown in FIGS. 143, 145 to thereby permit the locking rings 2740, 2750 to spring to their clamped or locked positions to retain the end effector 1000 in that locked position.

[0349] FIGS. 148-156 illustrate another end effector embodiment 2800 that, in one exemplary form, is substantially identical to the end effector 1000 except for the differences discussed below. The end effector 2800 includes an anvil assembly 2810 that is opened and closed by applying a rotary closure motion thereto. The anvil assembly 2810 is pivotally supported on an elongate channel 2830 for selective movement between an open position (FIGS. 148 and 149) and a closed position (FIGS. 150-153). The elongate channel 2830 may be substantially identical to elongate channel 1020 described above, except for the differences discussed below. For example, in the illustrated embodiment, the elongate channel 2830 has an end effector

connector housing 2832 formed thereon that may be coupled to an end effector connector tube 720 by the ring-like bearing 734 as described above. As can be seen in FIG. 148, the end effector connector housing 2832 operably supports a rotary transmission assembly 2860 therein.

[0350] As can be seen in FIGS. 148 and 149, the anvil assembly 2810 includes a pair of anvil trunnions 2812 (only one trunnion can be seen in FIG. 148) that are movably received within corresponding trunnion slots 2814 formed in the elongate channel 2830. The underside of the anvil assembly 2810 further has an anvil open ramp 2816 formed thereon for pivotal engagement with an anvil pivot pin 1201' on the firing member 1200'. Firing member 1200' may be substantially identical to firing member 1200 described above except for the noted differences. In addition, the anvil assembly 2810 further includes a closure pin 2818 that is configured for operable engagement with a rotary closure shaft 2910 that receives rotary closure motions from the rotary transmission assembly 2860 as will be discussed in further detail below. The firing member 1200' is rotatably journaled on an implement drive shaft 1300 that is rotatably supported within an elongate channel 2830 that is configured to support a surgical staple cartridge therein (not shown). The implement drive shaft 1300 has a bearing segment 1304 formed thereon that is rotatably supported in a bearing sleeve 2834 formed in the end effector connector housing 2832.

[0351] In the exemplary illustrated embodiment, the rotary transmission assembly 2860 includes a rotary drive shaft 2870 that extends longitudinally through the elongate shaft assembly to operably interface with the tool mounting portion (if the end effector 2800 is powered by a robotic system) or with the firing trigger of a handle assembly (if the end effector 2800 is to be manually operated). For those embodiments employing an articulation joint, the portion of the rotary drive shaft 2870 that extends through the articulation joint 700 may comprise any of the flexible drive shaft assemblies disclosed herein. If no articulation joint is employed, the rotary drive shaft may be rigid. As can be most particularly seen in FIGS. 148 and 149 the rotary drive shaft 2870 has a rotary drive head 2872 formed thereon or attached thereto that has a first ring gear 2874 formed thereon. In addition, the rotary drive head 2872 further has a second ring gear 2876 formed thereon for selective meshing engagement with a shifter gear 2882 attached to a rotary shifter shaft 2880.

[0352] The shifter shaft 2880 may comprise any one of the rotary drive shaft assemblies described above and extends through the elongate shaft assembly to operably interface with a tool mounting portion 300 (if the end effector 2800 is driven by a robotic system) or the handle

assembly (if the end effector is to be manually operated). In either case, the shifter shaft 2800 is configured to receive longitudinally shifting motions to longitudinally shift the shifter gear 2882 within the rotary drive head 2872 and rotary drive motions to rotate the shifter gear 2882 as will be discussed in further detail below.

[0353] As can be further seen in FIGS. 148 and 149, the rotary transmission assembly 2860 further includes a transfer gear assembly 2890 that has a body 2892, a portion of which is rotatably supported within a cavity 2873 in the rotary drive head 2872. The body 2892 has a spindle 2894 that rotatably extends through a spindle mounting hole 2838 formed in a bulkhead 2836 in the end effector connector housing 2832. The body 2892 further has a shifter ring gear 2896 formed therein for selective meshing engagement with the shifter gear 2882 on the rotary shifter shaft 2880. A transfer gear 2900 is mounted to a transfer gear spindle 2902 that protrudes from the body 2892 and is slidably received within the arcuate slot 2840 in the bulkhead 2836. See FIGS. 155 and 156. The transfer gear 2900 is in meshing engagement with the first ring gear 2874 formed in the rotary drive head 2872. As can be seen in FIGS. 153-156, the arcuate slot 2840 that has a centrally disposed flexible detent 2842 protruding therein. The detent 2842 is formed on a web 2844 formed by a detent relief slot 2846 formed adjacent to the arcuate slot 2840 as shown in FIG. 155.

[0354] The rotary closure shaft 2910 has a bearing portion 2912 that is rotatably supported through a corresponding opening in the bulkhead 2836. The rotary closure shaft 2910 further has a closure drive gear 2914 that is configured for selective meshing engagement with the transfer gear 2900. The implement drive shaft 1300 also has an implement drive gear 1302 that is configured for selective meshing engagement with the transfer gear 2900.

[0355] Operation of the end effector 2800 will now be explained with reference to FIGS. 148-155. FIGS. 148 and 149 illustrate the end effector 2800 with the anvil assembly 2810 in the open position. To move the anvil assembly 2810 to the closed position shown in FIG. 150, the shifter shaft 2880 is located such that the shifter gear 2882 is in meshing engagement with the shifter ring gear 2896 in the body 2892. The shifter shaft 2880 may be rotated to cause the body 2892 to rotate to bring the transfer gear 2900 into meshing engagement with the closure drive gear 2914 on the closure shaft 2910. See FIG. 153. When in that position, the locking detent 2842 retains the transfer gear spindle 2902 in that position. Thereafter, the rotary drive shaft 2870 is rotated to apply rotary motion to the transfer gear 2900 which ultimately rotates the

closure shaft 2910. As the closure shaft 2910 is rotated, a rotary spindle portion 2916 which is in engagement with the closure pin 2818 on the anvil assembly 2810 results in the anvil assembly 2810 moving proximally causing the anvil assembly 2810 to pivot on the anvil pivot pin 1201' on the firing member 1200'. Such action causes the anvil assembly 2810 to pivot to the closed position shown in FIG. 150. When the clinician desires to drive the firing member 1200' distally down the elongate channel 2830, the shifter shaft 2880 is once again rotated to pivot the transfer gear spindle 2902 to the position shown in FIG. 154. Again, the locking detent 2842 retains the transfer gear spindle 2902 in that position. Thereafter, the rotary drive shaft 2870 is rotated to apply rotary motion to the drive gear 1302 on the implement drive shaft 1300. Rotation of the implement drive shaft 1300 in one direction causes the firing member 1200' to be driven in the distal direction "DD". Rotation of the implement drive shaft 1300 in an opposite direction will cause the firing member 1200' to be retracted in the proximal direction "PD". Thus, in those applications wherein the firing member 1200' is configured to cut and fire staples within a staple cartridge mounted in the elongate channel 2830, after the firing member 1200' has been driven to its distal-most position within the elongate channel 2830, the rotary drive motion applied to the implement drive shaft 1300 by the rotary drive shaft assembly 2870 is reversed to retract the firing member 1200' back to its starting position shown in FIG. 150. To release the target tissue from the end effector 2800, the clinician again rotates the shifter shaft 2800 to once again bring the transfer gear 2900 into meshing engagement with the drive gear 2914 on the closure drive shaft 2910. Thereafter, a reverse rotary motion is applied to the transfer gear 2900 by the rotary drive shaft 2870 to cause the closure drive shaft 2910 to rotate the drive spindle 2916 and thereby cause the anvil assembly 2810 to move distally and pivot to the open position shown in FIGS. 148 and 149. When the clinician desires to rotate the entire end effector 2800 about the longitudinal tool axis "LT-LT", the shifter shaft is longitudinally shifted to bring the shifter gear 2882 into simultaneously meshing engagement with the second ring gear 2876 on the rotary drive head 2872 and the shifter ring gear 2896 on the transfer gear body 2892 as shown in FIG. 152. Thereafter, rotating the rotary drive shaft 2880 causes the entire end effector 2800 to rotate about the longitudinal tool axis "LT-LT" relative to the end effector connector tube 720.

[0356] FIGS. 157-170 illustrate another end effector embodiment 3000 that employs a pull-type motions to open and close the anvil assembly 3010. The anvil assembly 3010 is movably

supported on an elongate channel 3030 for selective movement between an open position (FIGS. 168 and 169) and a closed position (FIGS. 157, 160 and 170). The elongate channel 3030 may be substantially identical to elongate channel 1020 described above, except for the differences discussed below. The elongate channel 3030 may be coupled to an end effector drive housing 1010 in the manner described above. The end effector drive housing 1010 may also be coupled to an end effector connector tube 720 by the ring-like bearing 734 as described above. As can be seen in FIG. 157, the end effector drive housing 1010 may support a drive arrangement 748 and rotary transmission 750 as described above.

[0357] As can be seen in FIG. 160, the anvil assembly 3010 includes a pair of anvil trunnions 3012 (only one trunnion can be seen in FIG. 160) that are movably received within corresponding trunnion slots 3032 formed in the elongate channel 3030. The underside of the anvil assembly 2810 further has an anvil open notches 3016 formed thereon for pivotal engagement with the upper fins 1208 on the firing member 3100. See FIG. 168. Firing member 3100 may be substantially identical to firing member 1200 described above except for the noted differences. In the illustrated embodiment, the end effector 3000 further includes an anvil spring 3050 that is configured to apply a biasing force on the anvil trunnions 3012. One form of anvil spring 3050 is illustrated in FIG. 159. As can be seen in that Figure, the anvil spring 3050 may be fabricated from a metal wire and have two opposing spring arms 3052 that are configured to bear upon the anvil trunnions 3012 when the anvil trunnions are received within their respective trunnion slots 3032. In addition, as can be further seen in FIG. 159, the anvil spring 3050 has two mounting loops 3054 formed therein that are adapted to be movably supported on corresponding spring pins 3034 formed on the elongate channel 3030. See FIG. 158. As will be discussed in further detail below, the anvil spring 3050 is configured to pivot on the spring pins 3034 within the elongate channel 3030. As can be most particularly seen in FIG. 158, a portion 3035 of each side wall of the elongate channel is recessed to provide clearance for the movement of the anvil spring 3050.

[0358] As can be seen in FIGS. 157 and 160-170, the end effector 3000 further includes a closure tube 3060 that is movably supported on the elongate channel 3030 for selective longitudinal movement thereon. To facilitate longitudinal movement of the closure tube 3060, the embodiment depicted in FIGS. 157 and 160-170 includes a closure solenoid 3070 that is linked to the closure tube 3060 by a linkage arm 3072 that is pivotally pinned or otherwise

attached to the closure tube 3030. When the solenoid is actuated, the linkage arm 3072 is driven in the distal direction which drives the closure tube 3060 distally on the end of the elongate channel 3030. As the closure tube 3060 moves distally, it causes the anvil assembly 3010 to pivot to a closed position. In an alternative embodiment, the solenoid may comprise an annular solenoid mounted on the distal end of the end effector drive housing 1010. The closure tube would be fabricated from a metal material that could be magnetically attracted and repelled by the annular solenoid to result in the longitudinal movement of the closure tube.

[0359] In at least one form, the end effector 3060 further includes a unique anvil locking system 3080 to retain the anvil assembly 3010 locked in position when it is closed onto the target tissue. In one form, as can be seen in FIG. 157, the anvil locking system 3080 includes an anvil lock bar 3082 that extends transversely across the elongate channel 3030 such that the ends thereof are received within corresponding lock bar windows 3036 formed in the elongate channel 3030. See FIG. 158. Referring to FIG. 161, when the closure tube 3060 is in its distal-most “closed” position, the ends of the lock bar 3082 protrude laterally out through the lock bar windows 3036 and extend beyond the proximal end of the closure tube 3060 to prevent it from moving proximally out of position. The lock bar 3082 is configured to engage a solenoid contact 3076 supported in the end effector drive housing 1010. The solenoid contact 3076 is wired to a control system for controlling the solenoid 3070. The control system includes a source of electrical power either supplied by a battery or other source of electrical power in the robotic system or handle assembly, whichever the case may be.

[0360] The firing member 3100 is rotatably journaled on an implement drive shaft 1300 that is rotatably supported within an elongate channel 2830 that is configured to support a surgical staple cartridge therein (not shown). The implement drive shaft 1300 has a bearing segment 1304 formed thereon that is rotatably supported in a bearing sleeve 2834 formed in the end effector connector housing 2832 and operably interfaces with the rotary transmission 750 in the manner described above. Rotation of the implement drive shaft 1300 in one direction causes the firing member 3100 to be driven distally through the elongate channel 3030 and rotation of the implement drive shaft 1300 in an opposite rotary direction will cause the firing member 1200” to be retracted in the proximal direction “PD”. As can be seen in FIGS. 157 and 160-170, the firing member 3100 has an actuation bar 3102 configured to engage the lock bar 3082 as will be discussed in further detail below.

[0361] The anvil locking system 3080 further includes an anvil pulling assembly 3090 for selectively pulling the anvil into wedging locking engagement with the closure tube 3060 when the closure tube 3060 has been moved into its distal-most position wherein the distal end of the closure tube 3060 is in contact with an anvil ledge 3013 formed on the anvil assembly 3010. In one form, the anvil pulling assembly 3090 includes a pair of anvil pull cables 3092 that are attached to the proximal end of the anvil assembly 3010 and protrude proximally through the elongate shaft assembly to the tool mounting portion or handle assembly, whichever the case may be. The pull cables 3092 may be attached to an actuator mechanism on the handle assembly or be coupled to one of the drive systems on the tool mounting portion that is configured to apply tension to the cables 3092.

[0362] Operation of the end effector 3000 will now be described. FIGS. 168 and 169 illustrate the anvil assembly 3010 in an open position. FIG. 168 illustrates the firing member 3100 in proximal-most position wherein a new staple cartridge (not shown) may be mounted in the elongate channel 3030. The closure tube 3060 is also in its proximal-most unactuated position. Also, as can be seen in FIG. 167, when the firing member 3100 is in its proximal-most position, the actuation bar 3102 has biased the lock bar into engagement with the solenoid contact 3076 which enables the solenoid to be activated for the next closure sequence. Thus, to commence the closure process, the rotary drive shaft 752 is actuated to move the firing member 3100 to its starting position illustrated in FIG. 169. When in that position, the actuation bar 3102 has moved in the proximal direction sufficiently to enable the lock bar 3082 to move out of engagement with the solenoid contact 3076 such that when power is supplied to the solenoid control circuit, the solenoid link 3072 is extended. Control power is then applied – either automatically or through a switch or other control mechanism in the handle assembly to the solenoid 3070 which moves the closure tube 3060 distally until the distal end of the closure tube 3060 contacts the ledge 3013 on the anvil assembly 3010 to cause the anvil assembly to pivot closed on the firing member 1200” as shown in FIG. 162. As can be seen in that Figure, the lock bar 3082 is positioned to prevent movement of the closure tube 3060 in the proximal direction. When in that position, the clinician then applies tension to the pull cables 3092 to pull the proximal end of the anvil assembly 3010 into wedging engagement with the closure tube 3060 to lock the anvil assembly 3010 in the closed position. Thereafter, the firing member 1200” may be driven in the distal direction through the tissue clamped in the end effector 3000. Once the firing process has

been completed. The implement drive shaft is rotated in an opposite direction to return the firing member 3100 to its starting position wherein the actuation bar 3102 has once again contacted the lock bar 3082 to flex it into contact with the solenoid contact 3076 and to pull the ends of the lock bar 3082 into the windows 3036 in the elongate channel 3030. When in that position, when power is supplied to the solenoid control system, the solenoid 3070 retracts the closure tube 3060 in the proximal direction to its starting or open position shown in FIG. 167 and 168. As the closure tube 3060 moves proximally out of engagement with the anvil assembly 3010, the anvil spring 3050 applies a biasing force to the anvil trunnions 3012 to bias the anvil assembly to the open position shown in FIG. 168.

[0363] FIGS. 171-178 illustrate another exemplary elongate shaft assembly 3200 that has another exemplary quick disconnect coupler arrangement 3210 therein. In at least one form, for example, the quick disconnect coupler arrangement 3210 includes a proximal coupler member 3212 in the form of a proximal outer tube segment 3214 that, in one arrangement, may have a tube gear segment 354 thereon that is configured to interface with the first drive system 350 in the above-described manner when the device is to be robotically controlled. In another embodiment, however, the proximal outer tube segment 3214 may interface with a manually-actuatable rotation nozzle 2512 mounted to a handle assembly in the above-described manner. As discussed above, the first drive system 350 in a robotically-controlled application or the rotation nozzle 2512 in a handheld arrangement serve to rotate the elongate shaft assembly 3200 and the end effector operably coupled thereto about the longitudinal tool axis "LT-LT". See FIG. 171. The proximal outer tube segment 3214 has a "necked-down" distal end portion 3216 that is configured to receive a locking collar thereon.

[0364] In the exemplary embodiment depicted in FIGS. 171-178, the elongate shaft assembly 3200 includes a proximal drive shaft segment 380" that may be substantially identical to the proximal drive shaft segment 380 described above except for the differences discussed below and be configured to receive rotary and axial control motions from the robotic system or handle assembly in the various manners disclosed herein. The illustrated embodiment may be used with an articulation joint 700 as described above and include articulation cables 434 and 454 that may be coupled to the articulation control drives in the various manners described herein. A proximal filler material 3220 is provided within the proximal outer tube segment 3214 to provide axial support for the articulation cable end portions 434A, 434B, 454A, 454B. Each articulation cable

end portion 434A, 434B, 454A, 454B extends through a corresponding proximal articulation passage 3222 provided through the proximal filler material 3220. Each articulation cable end portion 434A, 434B, 454A, 454B further has a proximal articulation clip 3224 attached thereto that is configured to slide within the corresponding articulation passage 3222. The proximal articulation clips 3224 may be fabricated from metal or polymer material and each have a pair of flexible clip arms 3226 that each have a fastener cleat 3228 formed thereon. Likewise, the proximal drive shaft segment 380" is movably received in a shaft passage 3230 in the proximal filler material 3220. A drive shaft connection clip 3240 thereon. In one exemplary form, the drive shaft connection clip 3240 is formed with a central tubular connector portion 3242 and two flexible clip arms 3244 thereon that each have a fastener cleat 3248 thereon.

[0365] As can be further seen in FIGS. 171, 172 and 176-178, the quick disconnect arrangement 3210 further includes a distal coupler member 3250 in the form of a distal outer tube segment 3252 that is substantially similar to the distal outer tube portion 231 described above except that the distal outer tube segment 3252 includes a necked down proximal end portion 3254. The distal outer tube segment 3252 is operably coupled to an end effector 1000 of the various types disclosed herein and includes a distal drive shaft segment 540" that may be substantially similar to distal drive shaft segment 540 described above except for the differences noted below. A distal filler material 3260 is provided within the distal outer tube segment 3252 to provide axial support for the distal articulation cable segments 444, 445, 446, 447. Each distal articulation cable segment 444, 445, 446, 447 extends through a corresponding distal articulation passage 3262 provided through the distal filler material 3260. Each distal articulation cable segment 444, 445, 446, 447 further has a distal articulation bayonet post 3270 attached thereto that is configured to slide between the clip arms 3226 of the corresponding proximal articulation clip 3224. Each distal articulation bayonet post 3270 is configured to be retainingly engaged by the fastener cleats 3228 on the corresponding clip arms 3226. Likewise, the distal drive shaft segment 540" is movably received in a distal shaft passage 3264 in the distal filler material 3260. A distal drive shaft bayonet post 3280 is attached to the proximal end of the distal drive shaft segment 540" such that it may protrude proximally beyond the distal articulation bayonet posts 3270. FIG. 172 illustrates the position of the distal drive shaft bayonet post 3280 (in broken lines) relative to the distal articulation bayonet posts 3270. The distal drive shaft bayonet post

3280 is configured to be retainingly engaged by the fastener cleats 3248 on the corresponding clip arms 3244 on the drive shaft connection clip 3240.

[0366] As can be seen in FIGS. 171-178, the exemplary quick disconnect coupler arrangement 3210 further includes an axially movable lock collar 3290 that is movably journaled on the necked down proximal end portion 3254 of the distal outer tube segment 3252. As can be most particularly seen in FIG. 174, one form of the lock collar 3290 includes an outer lock sleeve 3292 that is sized to be slidably received on the necked down portions 3216, 3254 of the proximal outer tube segment 3214 and distal outer tube segment 3254, respectively. The outer lock sleeve 3292 is coupled to central lock body 3294 by a bridge 3295. The bridge 3295 is configured to slide through a distal slot 3255 in the necked down portion 3254 of the distal outer tube segment 3254 as well as a proximal slot 3217 in the necked down portion 3216 of the proximal outer tube segment 3214 that is slidably received within the necked down proximal end portion 3254 of the distal outer tube segment 3252 and may also slidably extend into the necked down portion 3216 of the proximal outer tube segment 3214. As can be further seen in FIG. 174, the central lock body 3294 has a plurality of passages 3296 for receiving the articulation posts and clips therethrough. Likewise, the central lock body 3294 has a central drive shaft passage 3298 for movably receiving the distal drive shaft segment 540" therein.

[0367] Use of the exemplary quick disconnect coupler arrangement 3210 will now be described. Referring first to FIGS. 171 and 172, the distal coupler member 3250 is axially aligned with the proximal coupler member 3212 such that the bridge 3295 is aligned with the slot 3217 in the necked down portion 3216 of the proximal outer tube segment 3214 and the distal drive shaft bayonet post 3280 is aligned with the central tubular connector portion 3242 on the proximal drive shaft connector clip 3240. Thereafter, the distal coupler member 3250 is brought into abutting engagement with the proximal coupler member 3212 to cause the distal drive shaft bayonet post 3280 to slide into the central tubular segment 3214 and ultimately into retaining engagement with the fastener cleats 3248 on the proximal drive shaft connector clip 3240. Such action also causes each distal articulation bayonet connector post 3270 to be retainingly engaged by the fastener cleats 3228 on the proximal articulation connector clips 3224 as shown in FIGS. 176. It will be appreciated that as the distal drive shaft bayonet post 3280 is inserted between the clip arms 3244, the clip arms 3244 flex outward until the fastener cleats 3248 engage a shoulder 3281 on the post 3280. Likewise, as each of the distal articulation bayonet posts 3270 are

inserted between their corresponding connector arms 3226, the connector arms 3226 flex outward until the fastener cleats 3228 engage a shoulder 3271 on the post 3270. Once the distal drive shaft segment 540" has been connected to the proximal drive shaft segment 380" and the distal articulation cable segments 444, 445, 446, 447 have been connected to the articulation cable end portions 434A, 434B, 454A, 454B, respectively, the user may then slide the outer lock sleeve 3292 proximally to the position shown in FIGS. 177 and 178. When in that position, the central lock body 3294 prevents the clip arms 3244, 3226 from flexing outward to thereby lock the distal coupler member 3250 to the proximal coupler member 3212. To disconnect the distal coupler member 3250 from the proximal coupler member 3212, the user moves the outer lock sleeve 392 to the position shown in FIGS. 175 and 176 and thereafter pulls the coupler members 3250, 3212 apart. As opposing axial separation motions are applied to the coupler members 3250, 3212, the clip arms 3244 and 3226 are permitted to flex out of engagement with the distal drive shaft bayonet post and the distal articulation bayonet posts, respectively.

Non-limiting Examples

[0368] One exemplary form comprises a surgical tool for use with a robotic system that includes a tool drive assembly that is operatively coupled to a control unit of the robotic system that is operable by inputs from an operator and is configured to robotically-generate output motions. In at least one exemplary form, the surgical tool includes a drive system that is configured to interface with a corresponding portion of the tool drive assembly of the robotic system for receiving the robotically-generated output motions therefrom. A drive shaft assembly operably interfaces with the drive system and is configured to receive the robotically-generated output motions from the drive system and apply control motions to a surgical end effector that operably interfaces with the drive shaft assembly. A manually-actuatable control system operably interfaces with the drive shaft assembly to selectively apply manually-generated control motions to the drive shaft assembly.

[0369] In connection with another general exemplary form, there is provided a surgical tool for use with a robotic system that includes a tool drive assembly that is operatively coupled to a control unit of the robotic system that is operable by inputs from an operator and is configured to provide at least one rotary output motion to at least one rotatable body portion supported on the tool drive assembly. In at least one exemplary form, the surgical tool includes a surgical end effector that comprises at least one component portion that is selectively movable between first

and second positions relative to at least one other component portion thereof in response to control motions applied thereto. An elongate shaft assembly is operably coupled to the surgical end effector and comprises at least one gear-driven portion that is in operable communication with the at least one selectively movable component portion. A tool mounting portion is operably coupled to the elongate shaft assembly and is configured to operably interface with the tool drive assembly when coupled thereto. At least one exemplary form further comprises a tool mounting portion that comprises a driven element that is rotatably supported on the tool mounting portion and is configured for driving engagement with a corresponding one of the at least one rotatable body portions of the tool drive assembly to receive corresponding rotary output motions therefrom. A drive system is in operable engagement with the driven element to apply robotically-generated actuation motions thereto to cause the corresponding one of the at least one gear driven portions to apply at least one control motion to the selectively movable component. A manually-actuatable reversing system operably interfaces with the elongate shaft assembly to selectively apply manually-generated control motions thereto.

[0370] In accordance with another exemplary general form, there is provided a surgical tool for use with a robotic system that includes a tool drive assembly that is operatively coupled to a control unit of the robotic system that is operable by inputs from an operator and is configured to robotically-generate rotary output motions. In at least one exemplary form, the surgical tool comprises a rotary drive system that is configured to interface with a corresponding portion of the tool drive assembly of the robotic system for receiving the robotically-generated rotary output motions therefrom. A rotary drive shaft assembly operably interfaces with the rotary drive system and is configured to receive the robotically-generated rotary output motions from the rotary drive system and apply rotary drive motions to a surgical end effector operably that interfaces with the rotary drive shaft assembly. A manually-actuatable reversing system operably interfaces with the rotary drive shaft assembly to selectively apply manually-generated rotary drive motions to the rotary drive shaft assembly.

[0371] Another exemplary form comprises a surgical stapling device that includes an elongate shaft assembly that has a distal end and defines a longitudinal tool axis. The device further includes an end effector that comprises an elongate channel assembly that includes a portion that is configured to operably support a surgical staple cartridge therein. An anvil is movably supported relative to the elongate channel assembly. The surgical stapling device further

comprises a rotary joint that couples the elongate channel assembly to the distal end of the elongate shaft assembly to facilitate selective rotation of the elongate channel assembly about the longitudinal tool axis relative to the distal end of the elongate shaft assembly.

[0372] Another exemplary form comprises a rotary support joint assembly for coupling a first portion of a surgical instrument to a second portion of a surgical instrument. In at least one exemplary form, the rotary support joint assembly comprises a first annular race in the first portion and a second annular race in the second portion and which is configured for substantial registration with the first annular race when the second portion is joined with the first portion. A ring-like bearing is supported within the registered first and second annular races.

[0373] In connection with another exemplary general form, there is provided a rotary support joint assembly for coupling a surgical end effector to an elongate shaft assembly of a surgical instrument. In at least one exemplary form, the rotary support joint assembly comprises a cylindrically-shaped connector portion on the surgical end effector. A first annular race is provided in the perimeter of the connector portion. A socket is provided on the elongate shaft and is sized to receive the cylindrically-shaped connector portion therein such that the cylindrically-shaped connector portion may freely rotate relative to the socket. A second annular race is provided in an inner wall of the socket and is configured for substantial registration with the first annular race when the cylindrically-shaped connector portion is received within the socket. A window is provided in the socket in communication with the second annular race. A ring-like bearing member that has a free end is insertable through the window into the first and second registered annular races.

[0374] In connection with another exemplary general form, there is provided a method for rotatably coupling a first portion of a surgical instrument to a second portion of a surgical instrument. In various exemplary forms, the method comprises forming a first annular race in the first portion and forming a second annular race in the second portion. The method further includes inserting the first portion into the second portion such that the first and second annular races are in substantial registration and inserting a ring-like bearing within the registered first and second annular races.

[0375] Another exemplary form comprises a drive shaft assembly for a surgical instrument that includes a plurality of movably interlocking joint segments that are interconnected to form a flexible hollow tube. A flexible secondary constraining member is installed in flexible

constraining engagement with the plurality of movably interlocking joint segments to retain the interlocking joint segments in movable interlocking engagement while facilitating flexing of the drive shaft assembly.

[0376] In accordance with another general exemplary form, there is provided a composite drive shaft assembly for a surgical instrument that includes a plurality of movably interlocking joint segments that are cut into a hollow tube by a laser and which has a distal end and a proximal end. A flexible secondary constraining member is in flexible constraining engagement with the plurality of movably interlocking joint segments to retain the interlocking joint segments in movable interlocking engagement while facilitating flexing of the drive shaft assembly.

[0377] In accordance with yet another exemplary general form, there is provided a drive shaft assembly for a surgical instrument that includes a plurality of movably interconnected joint segments wherein at least some joint segments comprise a ball connector portion that is formed from six substantially arcuate surfaces. A socket portion is sized to movably receive the ball connector portion of an adjoining joint segment therein. A hollow passage extends through each ball connector portion to form a passageway through the drive shaft assembly. The drive shaft assembly may further include a flexible secondary constraining member installed in flexible constraining engagement with the plurality of movably interconnected joint segments to retain the joint segments in movable interconnected engagement while facilitating flexing of the drive shaft assembly.

[0378] Another exemplary form comprises a method of forming a flexible drive shaft assembly for a surgical instrument. In various exemplary embodiments, the method comprises providing a hollow shaft and cutting a plurality of movably interconnected joint segments into the hollow shaft with a laser. The method further comprises installing a secondary constraining member on the hollow shaft to retain the movably interconnected joint segments in movable interconnected engagement while facilitating flexing of the drive shaft assembly.

[0379] In connection with another exemplary form, there is provided a method of forming a flexible drive shaft assembly for a surgical instrument. In at least one exemplary embodiment, the method comprises providing a hollow shaft and cutting a plurality of movably interconnected joint segments into the hollow shaft with a laser. Each joint segment comprises a pair of opposing lugs wherein each lug has a tapered outer perimeter portion that is received within a

corresponding socket that has a tapered inner wall portion which cooperates with the tapered outer perimeter portion of the corresponding lug to movably retain the corresponding lug therein.

[0380] Another exemplary general form comprises a rotary drive arrangement for a surgical instrument that has a surgical end effector operably coupled thereto. In one exemplary form, the rotary drive arrangement includes a rotary drive system that is configured to generate rotary drive motions. A drive shaft assembly operably interfaces with the rotary drive system and is selectively axially movable between a first position and a second position. A rotary transmission operably interfaces with the drive shaft assembly and the surgical end effector such that when the drive shaft assembly is in the first axial position, application of one of the rotary drive motions to the drive shaft assembly by the rotary drive system causes the rotary transmission to apply a first rotary control motion to the surgical end effector and when the drive shaft assembly is in the second axial position, application of the rotary drive motion to the drive shaft assembly by the rotary drive system causes the rotary transmission to apply a second rotary control motion to the surgical end effector.

[0381] In connection with another exemplary general form, there is provided a surgical tool for use with a robotic system that includes a tool drive assembly that is operatively coupled to a control unit of the robotic system that is operable by inputs from an operator and is configured to generate output motions,. In at least one exemplary form the surgical tool comprises a tool mounting portion that is configured operably interface with a portion of the robotic system. A rotary drive system is operably supported by the tool mounting portion and interfaces with the tool drive assembly to receive corresponding output motions therefrom. An elongate shaft assembly operably extends from the tool mounting portion and includes a drive shaft assembly that operably interfaces with the rotary drive system. The drive shaft assembly is selectively axially movable between a first position and a second position. The surgical tool further comprises a surgical end effector that is rotatably coupled to the elongate shaft assembly for selective rotation relative thereto. A rotary transmission operably interfaces with the drive shaft assembly and the surgical end effector such that when the drive shaft assembly is in the first axial position, application of one of the rotary drive motions to the drive shaft assembly by the rotary drive system causes the rotary transmission to apply a first rotary control motion to the surgical end effector and when the drive shaft assembly is in the second axial position, application of the rotary drive motion to the drive shaft assembly by the rotary drive system

causes the rotary transmission to apply a second rotary control motion to the surgical end effector.

[0382] In connection with yet another exemplary general form, there is provided a surgical instrument that comprises a handle assembly and a drive motor that is operably supported by the handle assembly. An elongate shaft assembly operably extends from the handle assembly and includes a drive shaft assembly that operably interfaces with the drive motor and is selectively axially movable between a first position and a second position. A surgical end effector is rotatably coupled to the elongate shaft assembly for selective rotation relative thereto. A rotary transmission operably interfaces with the drive shaft assembly and the surgical end effector such that when the drive shaft assembly is in the first axial position, application of a rotary drive motion to the drive shaft assembly by the drive motor causes the rotary transmission to apply a first rotary control motion to the surgical end effector and when the drive shaft assembly is in the second axial position, application of the rotary drive motion to the drive shaft assembly by the drive motor causes the rotary transmission to apply a second rotary control motion to the surgical end effector.

[0383] Various exemplary embodiments also comprise a differential locking system for a surgical instrument that includes a surgical end effector that is powered by a rotary drive shaft assembly that is movable between a plurality of discrete axial positions. In at least one form, the differential locking system comprises at least one retention formation on the rotary drive shaft assembly that corresponds to each one of the discrete axial positions. At least one lock member is operably supported relative to rotary drive shaft assembly for retaining engagement with the at least one retention formation when the rotary drive shaft assembly is moved to the discrete axial positions associated therewith.

[0384] In connection with another exemplary general form, there is provided a differential locking system for a surgical instrument that includes a surgical end effector powered by a rotary drive shaft assembly that is movable between a first axial position and a second axial position. In at least one exemplary form, the differential locking system comprises a differential housing that operably interfaces with the rotary drive shaft assembly and the surgical end effector. At least one spring-biased lock member operably supported by the differential housing for retaining engagement with a first portion of the rotary drive shaft assembly when the rotary drive shaft assembly is in the first axial position and the at least one spring-biased lock member further

configured to retainingly engage a second portion of the rotary drive shaft assembly when the rotary drive shaft assembly is in the second axial position.

[0385] In connection with yet another exemplary general form, there is provided a differential locking system for a surgical instrument that includes a surgical end effector that is powered by a rotary drive shaft assembly that is movable between a first axial position and a second axial position. In at least one exemplary form, the differential locking system comprises a differential housing that operably interfaces with the rotary drive shaft assembly and the surgical end effector. At least one spring member is provided on a portion of the rotary drive shaft assembly wherein each spring member defines a first retaining position that corresponds to the first axial position of the rotary drive shaft assembly and a second retaining position that corresponds to the second axial position of the rotary drive shaft assembly. A lock member is operably supported by the differential housing and corresponds to each of the at least one spring members for retaining engagement therewith such that the lock member retainingly engages the corresponding spring member in the first retaining position when the rotary drive shaft assembly is in the first axial position and the lock member retainingly engages the corresponding spring member in the second retaining position when the rotary drive shaft assembly is in the second axial position.

[0386] Various other exemplary embodiments comprise a surgical instrument that includes an end effector and a proximal rotary drive train assembly that is operably coupled to a source of rotary and axial control motions. The proximal rotary drive train assembly is longitudinally shiftable in response to applications of the axial control motions thereto. The surgical instrument further includes a distal rotary drive train assembly that is operably coupled to the end effector to apply the rotary control motions thereto. A proximal axial drive train assembly is operably coupled to another source of axial control motions. A distal axial drive train assembly is operably coupled to the end effector to apply the axial control motions thereto. The instrument further comprises a coupling arrangement for simultaneously attaching and detaching the proximal rotary drive train assembly to the distal rotary drive train assembly and the proximal axial drive train assembly to the distal axial drive train assembly.

[0387] In connection with another general aspect, there is provided a coupling arrangement for attaching an end effector including a plurality of distal drive train assemblies that are configured to apply a plurality of control motions to the end effector to corresponding proximal drive train assemblies communicating with a source of drive motions. In one exemplary form, the coupling

arrangement comprises a proximal attachment formation on a distal end of each proximal drive train assembly and a proximal coupler member that is configured to operably support each proximal drive train assembly therein such that the proximal attachment formations thereon are retained in substantial coupling alignment. A distal attachment formation is provided on a proximal end of each distal drive train assembly. Each distal attachment formation is configured to operably engage a proximal attachment formation on the distal end of a corresponding proximal drive train when brought into coupling engagement therewith. A distal coupler member is operably coupled to the end effector and is configured to operably support each distal drive train therein to retain the distal attachment formations thereon in substantial coupling alignment. A locking collar is movable from an unlocked position wherein the distal drive train assemblies may be decoupled from the corresponding proximal drive train assemblies and a locked position wherein the distal drive train assemblies are retained in coupled engagement with their corresponding proximal drive train assemblies.

[0388] In connection with another general aspect, there is provided a surgical instrument that includes an end effector that is configured to perform surgical activities in response to drive motions applied thereto. An exemplary form of the instrument further includes a source of drive motions and a first proximal drive train assembly that operably interfaces with the source of drive motions for receiving corresponding first drive motions therefrom. A second proximal drive train assembly operably interfaces with the source of drive motions for receiving corresponding second drive motions therefrom. A first distal drive train assembly operably interfaces with the end effector and is configured to receive the corresponding first drive motions from the first proximal drive train assembly when it is operably coupled thereto. A second distal drive train assembly operably interfaces with the end effector and is configured to receive the corresponding second drive motions from the second proximal drive train assembly when it is operably coupled thereto. The instrument further comprises a coupling arrangement that includes a first coupling member that operably supports the first and second proximal drive train assemblies therein. The coupling arrangement further includes a second coupling member that operably supports the first and second distal drive train assemblies therein and is configured for axial alignment with the first coupling member such that when the second coupling member is axially aligned with the first coupling member, the first distal drive train assembly is in axial alignment with the first proximal drive train assembly for operable engagement therewith and the

second distal drive train assembly is in axial alignment with the second proximal drive train assembly for operable engagement therewith. A locking collar is movably journaled on one of the first and second coupling members and is configured to move between an unlocked position wherein the first and second distal drive train assemblies are detachable from the first and second proximal drive train assemblies, respectively and a locked position wherein the first and second distal drive train assemblies are retained in operable engagement with the first and second proximal drive train assemblies, respectively.

[0389] In accordance with another general aspect, there is provided a surgical cartridge that includes a cartridge body that defines a path therethrough for operably receiving a firing member of a surgical instrument. The surgical cartridge further includes an alignment member that is operably supported in the cartridge body and is configured to move the firing member from an inoperable configuration wherein firing member is misaligned with the path to an operable configuration wherein the firing member is in alignment with the path when the firing member is driven into contact therewith.

[0390] In accordance with yet another general aspect, there is provided an end effector for a surgical instrument. In at least one form, the end effector comprises a support member that has a slot and a lockout notch that is adjacent to the slot. The end effector further comprises a firing member that is movable between an inoperable configuration and an operable configuration, wherein the firing member is aligned with the slot and is structured to translate in the slot when it is in the operable configuration and wherein the firing member is engaged with the lockout notch and misaligned with the slot when it is in the inoperable configuration.

[0391] Another exemplary embodiment comprises a surgical instrument that includes an elongate channel that is configured to removably support a cartridge therein. In at least one form, the cartridge comprises a cartridge body and an alignment member that is movably supported within the cartridge body for movement from a first position to a second position therein. The surgical instrument also comprises a firing member that is operably supported relative to the elongate channel for movement between a starting position and an ending position upon application of actuation motions thereto. The firing member is incapable from moving from the starting position to the ending position unless the firing member is in operable engagement with the alignment member in the cartridge body.

[0392] Another exemplary embodiment comprises an end effector for a surgical instrument. In at least one form, the end effector comprises an elongate channel that is configured to removably support a cartridge therein. A firing member is operably supported relative to the elongate channel for movement between a starting and ending position. An implement drive shaft is in operable engagement with the firing member for moving the firing member between the starting and ending positions upon applications of actuation motions thereto from a drive arrangement. The implement drive shaft is moveable from an inoperable position wherein the implement drive shaft is out of operable engagement with the drive arrangement to an operable position wherein the implement drive shaft is in operable engagement with the drive arrangement. The end effector further comprises an alignment member that is movably supported for contact with the implement drive shaft to move the implement drive shaft from the inoperable position to the operable position upon installation of a cartridge in the elongate channel.

[0393] Another exemplary embodiment includes a surgical instrument that comprises an elongate channel and a cartridge that is removably supported in the elongate channel. A firing member is operably supported relative to the elongate channel for movement between a starting and ending position. An implement drive shaft is in operable engagement with the firing member for moving the firing member between the starting and ending positions upon applications of actuation motions thereto from a drive arrangement. The implement drive shaft is moveable from an inoperable position wherein the implement drive shaft is out of operable engagement with the drive arrangement to an operable position wherein the implement drive shaft is in operable engagement with the drive arrangement. The surgical instrument further comprises an alignment member movably supported for contact with the implement drive shaft to move the implement drive shaft from the inoperable position to the operable position upon installation of a cartridge in the elongate channel.

[0394] The devices disclosed herein can be designed to be disposed of after a single use, or they can be designed to be used multiple times. In either case, however, the device can be reconditioned for reuse after at least one use. Reconditioning can include any combination of the steps of disassembly of the device, followed by cleaning or replacement of particular pieces, and subsequent reassembly. In particular, the device can be disassembled, and any number of the particular pieces or parts of the device can be selectively replaced or removed in any combination. Upon cleaning and/or replacement of particular parts, the device can be

reassembled for subsequent use either at a reconditioning facility, or by a surgical team immediately prior to a surgical procedure. Those skilled in the art will appreciate that reconditioning of a device can utilize a variety of techniques for disassembly, cleaning/replacement, and reassembly. Use of such techniques, and the resulting reconditioned device, are all within the scope of the present application.

[0395] Although the present invention has been described herein in connection with certain disclosed exemplary embodiments, many modifications and variations to those exemplary embodiments may be implemented. For example, different types of end effectors may be employed. Also, where materials are disclosed for certain components, other materials may be used. The foregoing description and following claims are intended to cover all such modification and variations.

[0396] Any patent, publication, or other disclosure material, in whole or in part, that is said to be incorporated by reference herein is incorporated herein only to the extent that the incorporated materials does not conflict with existing definitions, statements, or other disclosure material set forth in this disclosure. As such, and to the extent necessary, the disclosure as explicitly set forth herein supersedes any conflicting material incorporated herein by reference. Any material, or portion thereof, that is said to be incorporated by reference herein, but which conflicts with existing definitions, statements, or other disclosure material set forth herein will only be incorporated to the extent that no conflict arises between that incorporated material and the existing disclosure material.

What is Claimed is:

1. A surgical stapling device, comprising:
an elongate shaft assembly having a distal end and defining a longitudinal tool axis;
an end effector comprising:
 an elongate channel assembly including a portion configured to operably support a surgical staple cartridge therein; and
 an anvil movably supported relative to the elongate channel assembly and wherein the surgical stapling device further comprises a rotary joint coupling the elongate channel assembly to the distal end of the elongate shaft assembly to facilitate selective rotation of the elongate channel assembly about the longitudinal tool axis relative to the distal end of the elongate shaft assembly.
2. The surgical stapling device of claim 1 wherein the rotary joint comprises:
first annular race in one of the elongate shaft assembly and the elongate channel assembly;
a second annular race in the other one of the elongate channel assembly and elongate shaft assembly and being configured for substantial registration with the first annular race; and
a ring-like bearing supported within the registered first and second annular races.
3. The surgical stapling device of claim 2 wherein the elongate channel assembly comprises a cylindrically-shaped connector portion and wherein the distal end of the elongate shaft assembly comprises a socket portion sized to rotatably receive the cylindrically-shaped connector portion therein and wherein the first annular race is formed in the perimeter of the cylindrically-shaped connector portion and the second annular race is formed in an inner wall of the socket portion.
4. The surgical stapling device of claim 3 wherein the socket portion includes a window therein communicating with the second annular race and wherein the ring-like bearing includes a free end insertable through the window into the registered first and second annular races.

5. The surgical stapling device of claim 4 wherein the window includes a tapered surface portion communicating with the second annular race.

6. The surgical stapling device of claim 1 wherein the portion of the elongate shaft assembly comprises an articulation joint.

7. The surgical stapling device of claim 6 wherein the elongate shaft assembly operably supports a drive shaft assembly therein and wherein the articulation joint comprises:

- a proximal socket formed in a proximal portion of the elongate shaft assembly;
- a proximal ball member movably seated within the proximal socket and including a proximal passage for operably receiving the drive shaft assembly therethrough;
- an intermediate articulation tube defining an intermediate socket;
- an end effector connector tube including an end effector ball protruding therefrom to be rotatably supported within the intermediate socket, the end effector ball including an end effector passage for operably receiving the drive shaft assembly therethrough, the end effector connector tube including a distal socket portion wherein the second annular race is formed in an inner wall of the distal socket portion; and
- a substantially-cylindrically shaped connector portion on the end effector, wherein the first annular race is formed in a perimeter thereof, the connector portion sized to be rotatably received within the distal socket portion such that the first annular race and the second annular race are in substantial registration to receive the ring-like bearing therein.

8. The surgical stapling device of claim 4 wherein an end of the ring-like bearing protrudes out through the window to enable the ring-like bearing member to be withdrawn from the registered first and second annular races to enable the first portion to be detached from the second portion.

9. The surgical stapling device of claim 1 wherein the elongate shaft assembly is operably couplable to a robotic system for applying control motions to the end effector.

10. The surgical stapling device of claim 1 wherein the elongate shaft assembly is operably coupled to a handle assembly configured to generate control motions for operating the end effector.

11. The surgical stapling device of claim 1 wherein the rotary joint facilitates selective 360 degree rotation of the end effector about the longitudinal tool axis relative to the distal end of the elongate shaft assembly.

12. A rotary support joint assembly for coupling a surgical end effector to an elongate shaft assembly of a surgical instrument, the rotary support joint assembly comprising:

a cylindrically-shaped connector portion on the surgical end effector;

a first annular race in the perimeter of the connector portion;

a socket on the elongate shaft sized to receive the cylindrically-shaped connector portion therein such that the cylindrically-shaped connector portion may freely rotate relative to the socket;

a second annular race in an inner wall of the socket and configured for substantial registration with the first annular race when the cylindrically-shaped connector portion is received within the socket;

a window in the socket in communication with the second annular race;

a ring-like bearing member including a free end that is insertable through the window into the first and second registered annular races.

13. The rotary support joint assembly of claim 12 wherein the surgical instrument further comprises a drive shaft assembly that operably extends through the elongate shaft assembly, the socket and the cylindrically-shaped connector portion.

14. The rotary support joint assembly of claim 12 wherein the surgical end effector is selectively articulatable relative to the elongate shaft assembly.

15. The rotary support joint assembly of claim 12 wherein the elongate shaft assembly comprises a rotary drive shaft assembly that operably extends through the elongate

shaft assembly, the socket and the cylindrical-shaped connector portion to apply rotary drive motions from a controller to a movable firing member operably supported within the surgical end effector.

16. The rotary support joint assembly of claim 15 wherein the controller comprises a robotic system.

17. The rotary support joint assembly of claim 15 wherein the controller comprises a firing drive operably supported by a handle assembly.

18. A method for rotatably coupling a first portion of a surgical instrument to a second portion of a surgical instrument, the method comprising:

forming a first annular race in the first portion;

forming a second annular race in the second portion;

inserting the first portion into the second portion such that the first and second annular races are in substantial registration; and

inserting a ring-like bearing within the registered first and second annular races.

19. The method of claim 18 wherein the ring-like bearing includes a free end and wherein the inserting comprises inserting the free end through a window in the second portion.

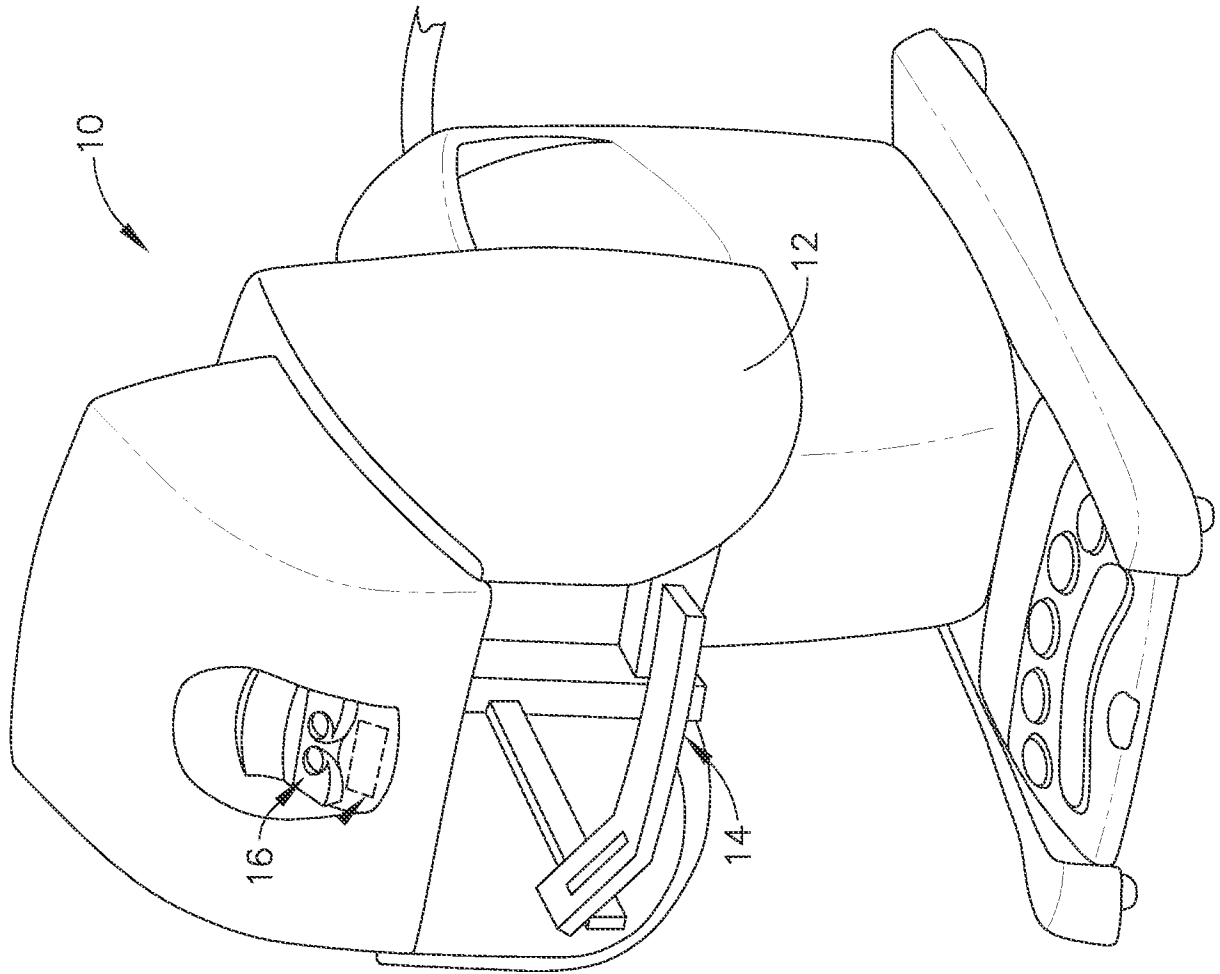


FIG. 1

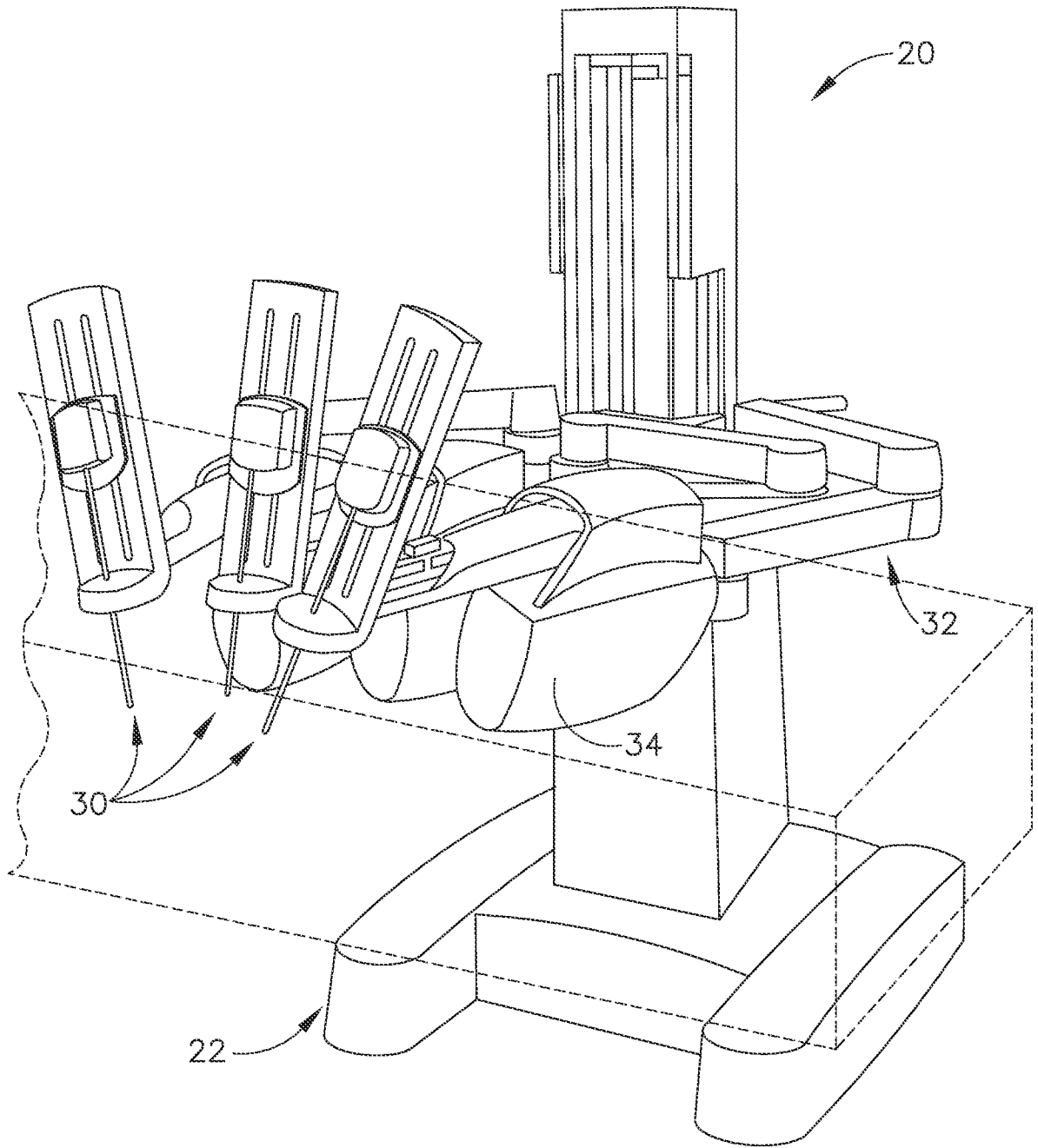


FIG. 2

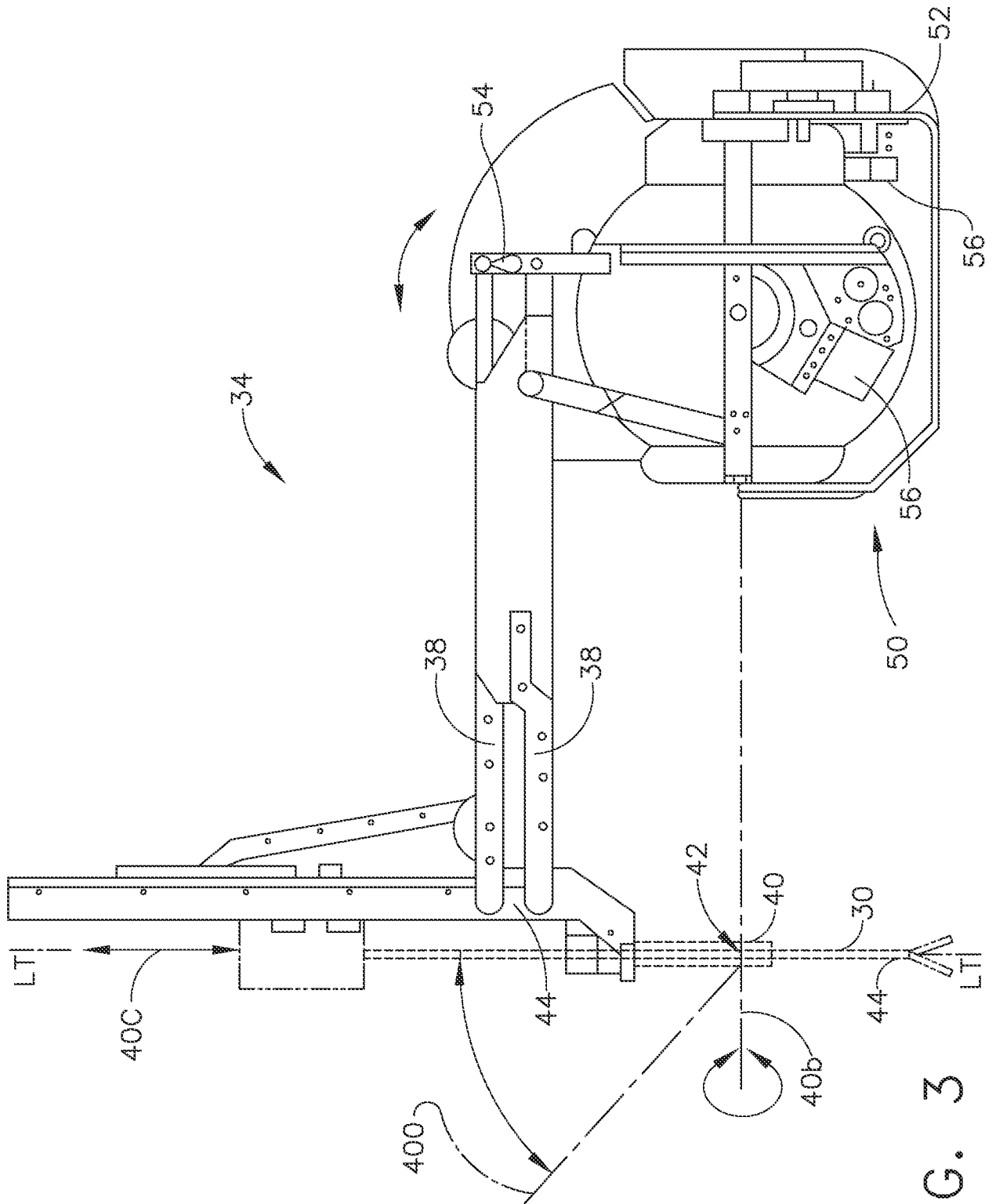


FIG. 3

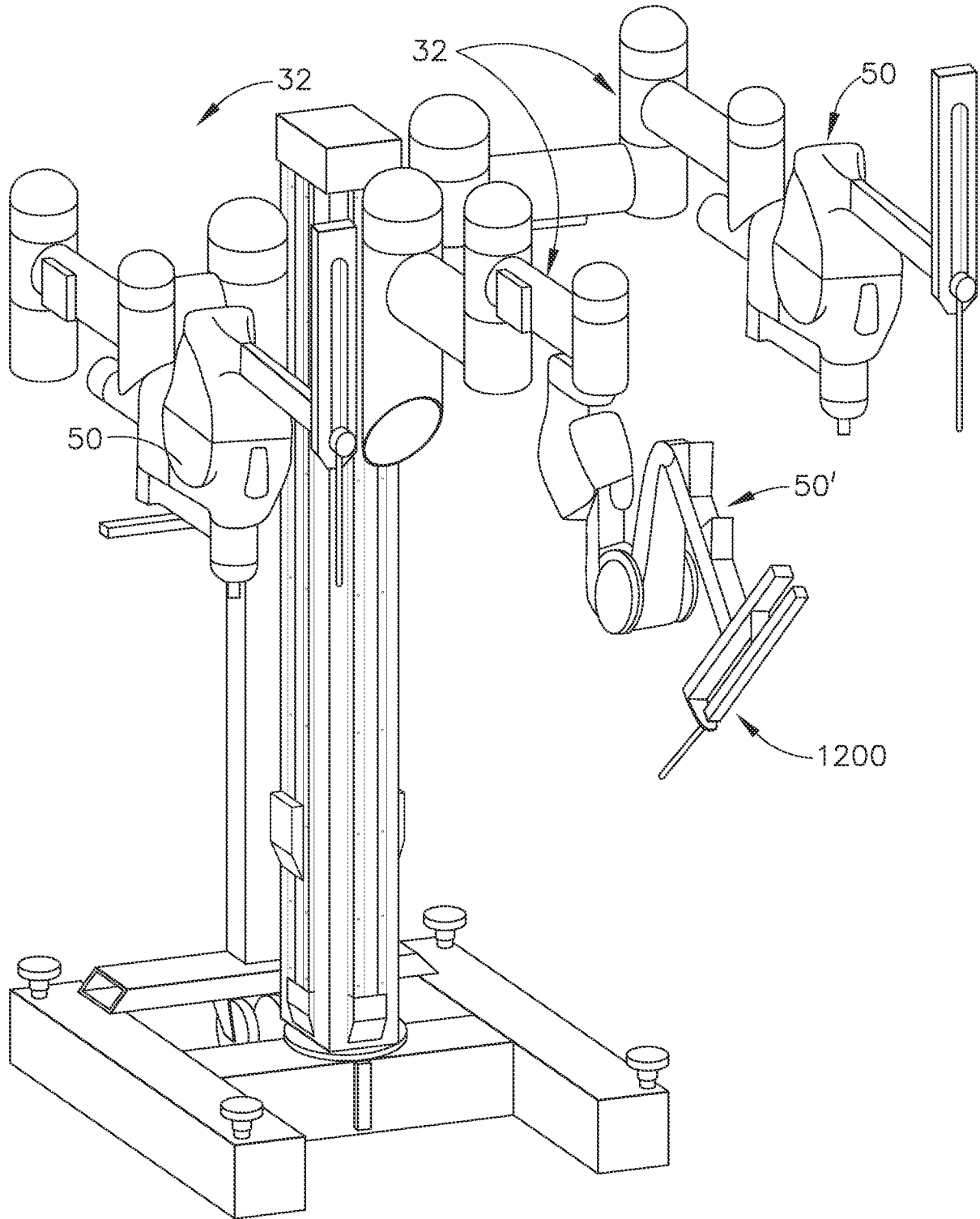


FIG. 4

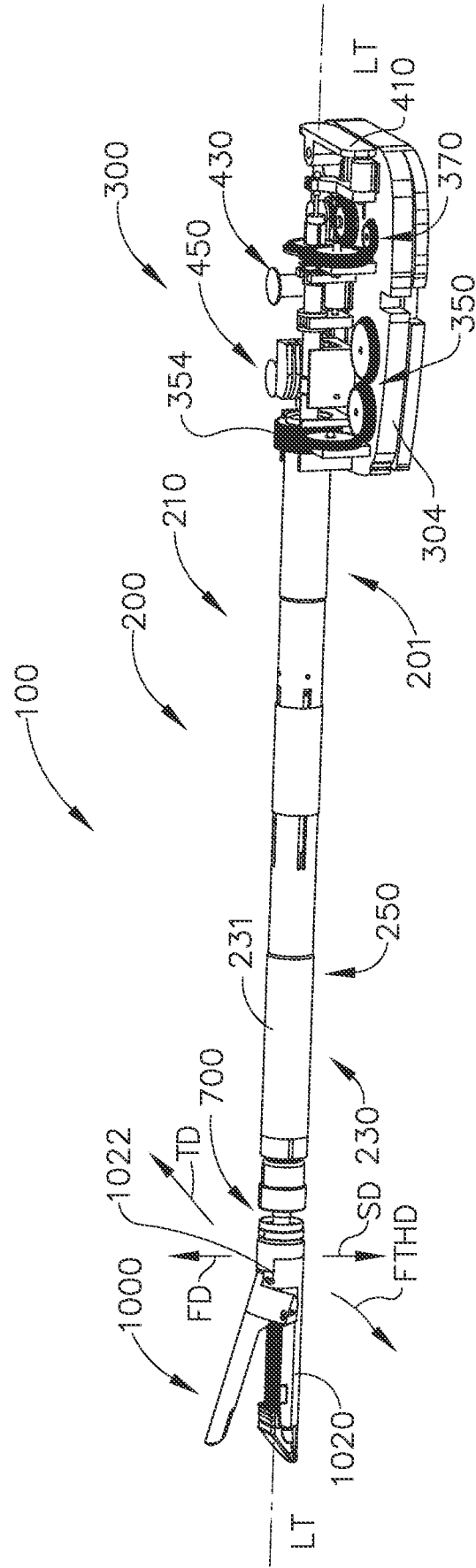


FIG. 5

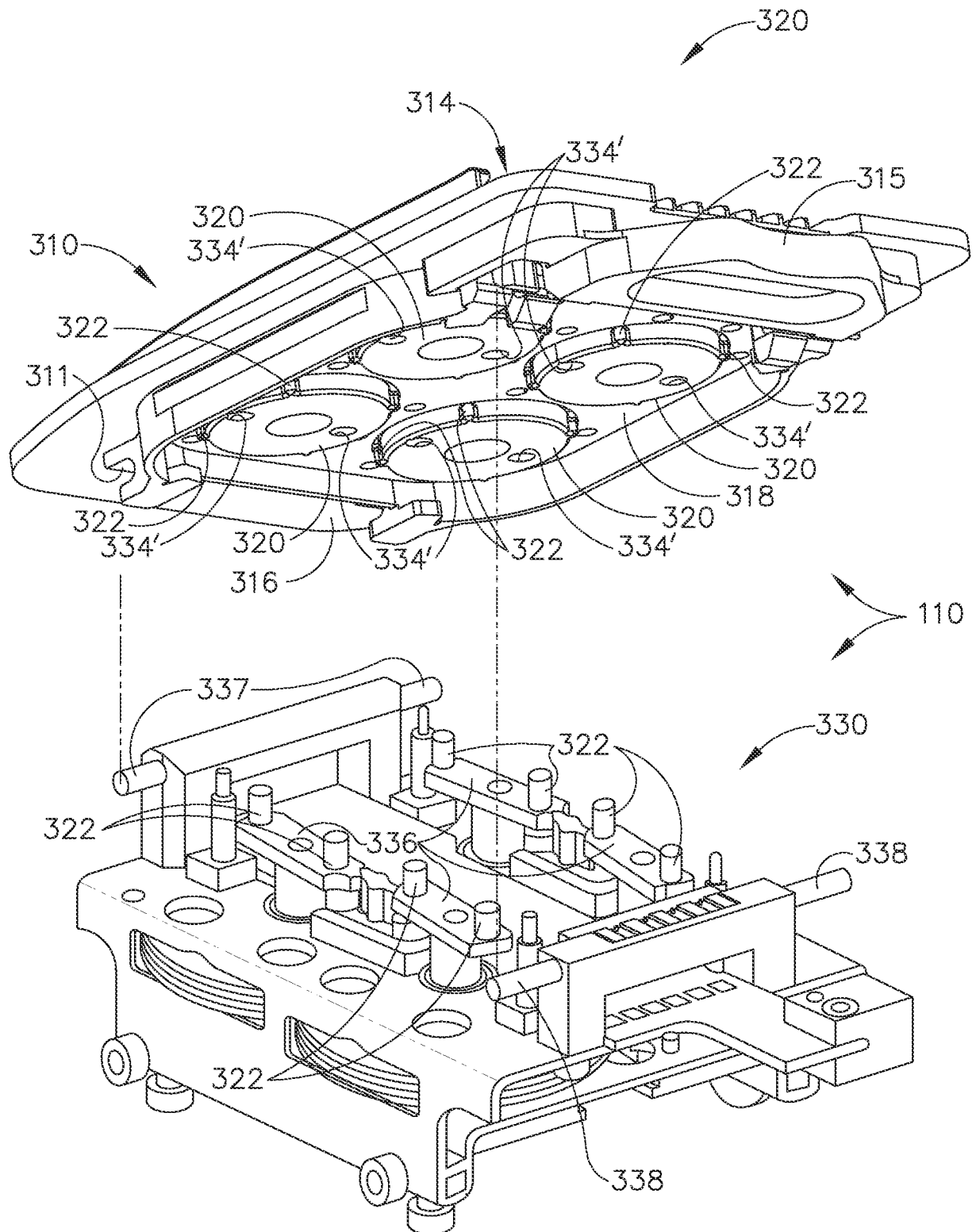


FIG. 6

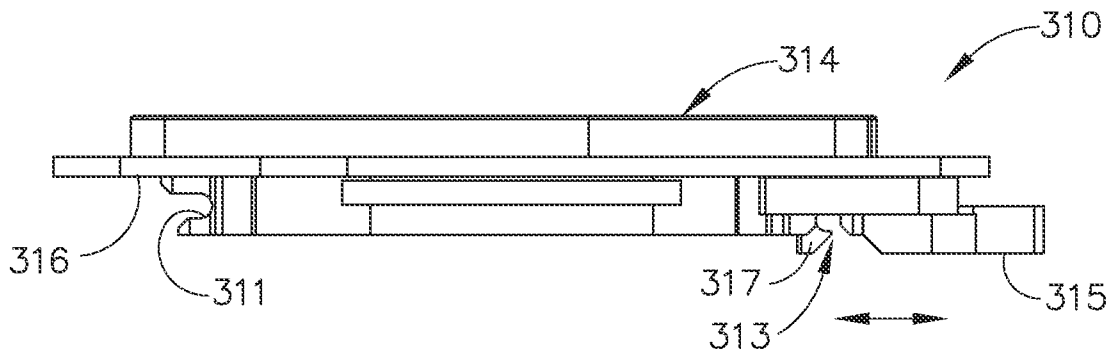


FIG. 7

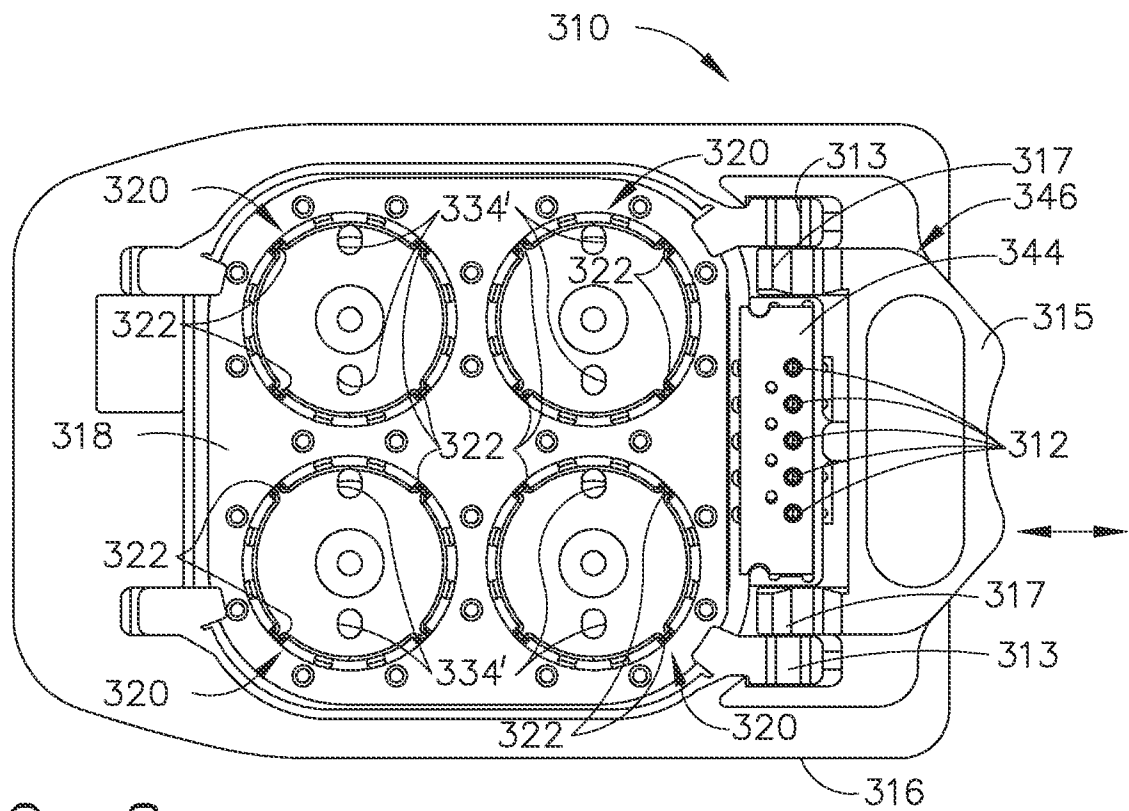


FIG. 8

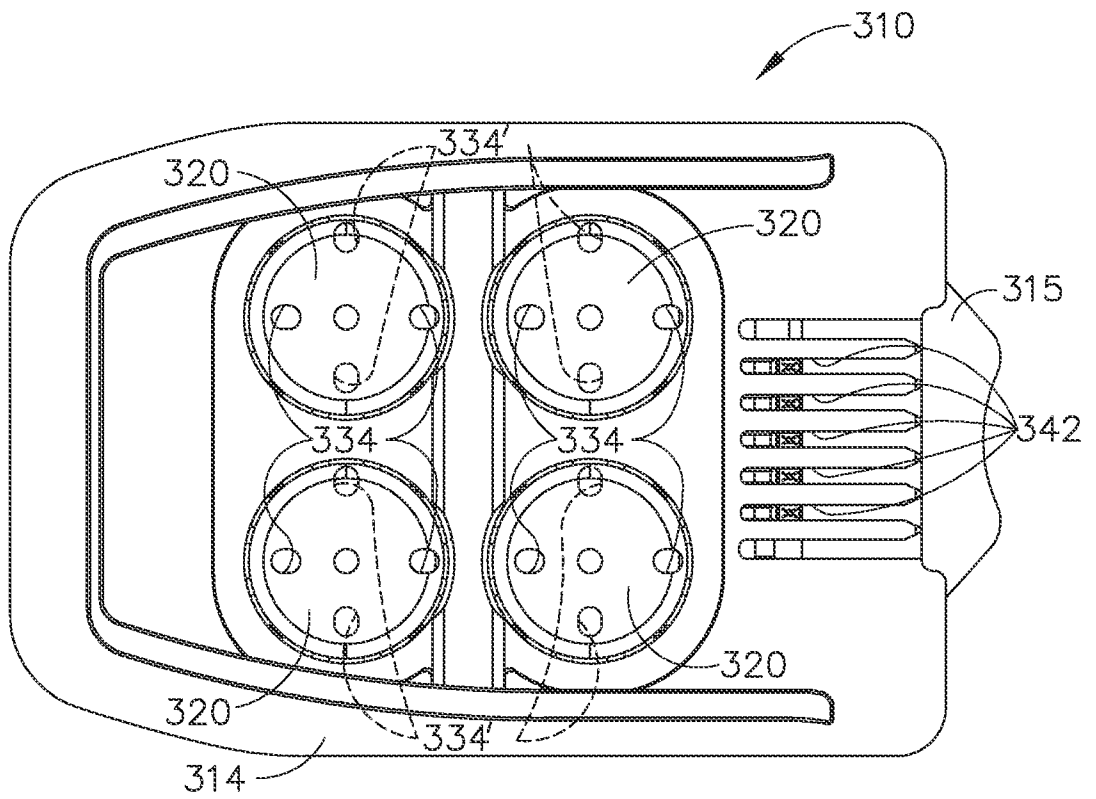


FIG. 9

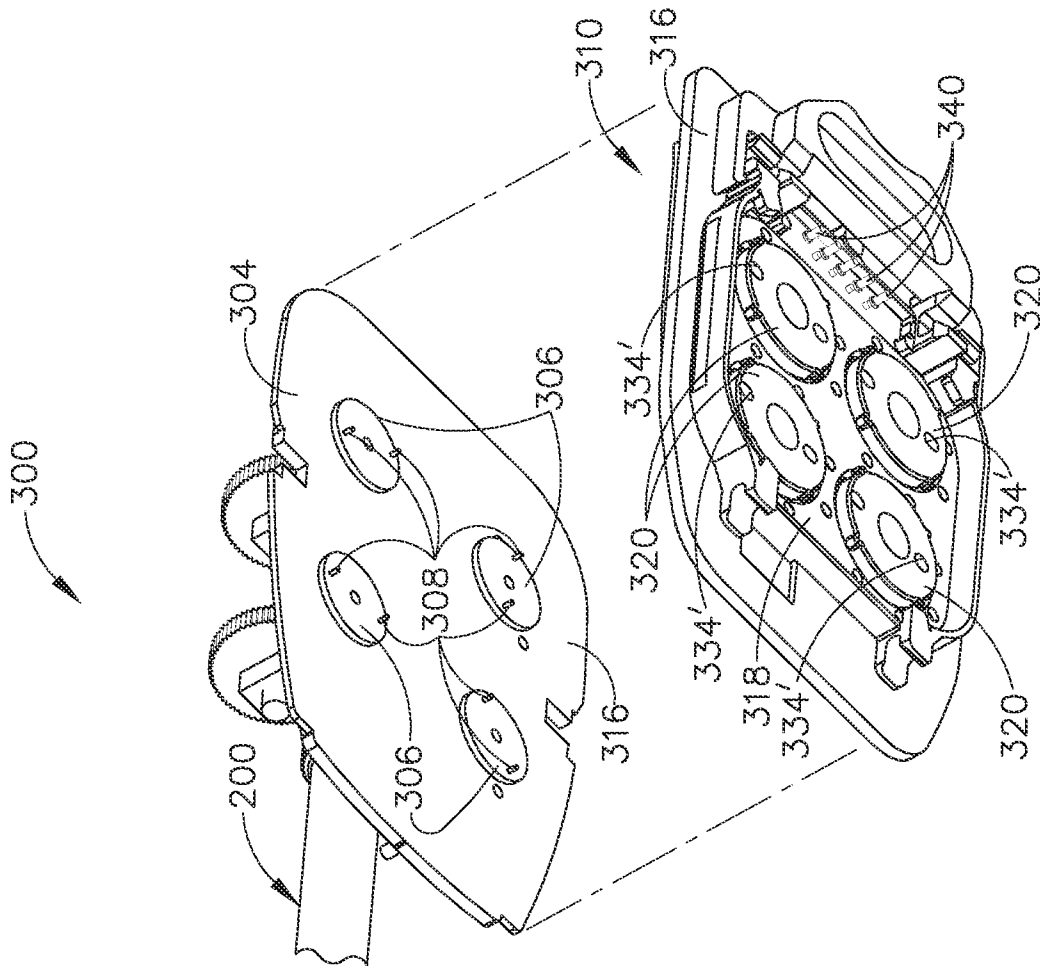


FIG. 10

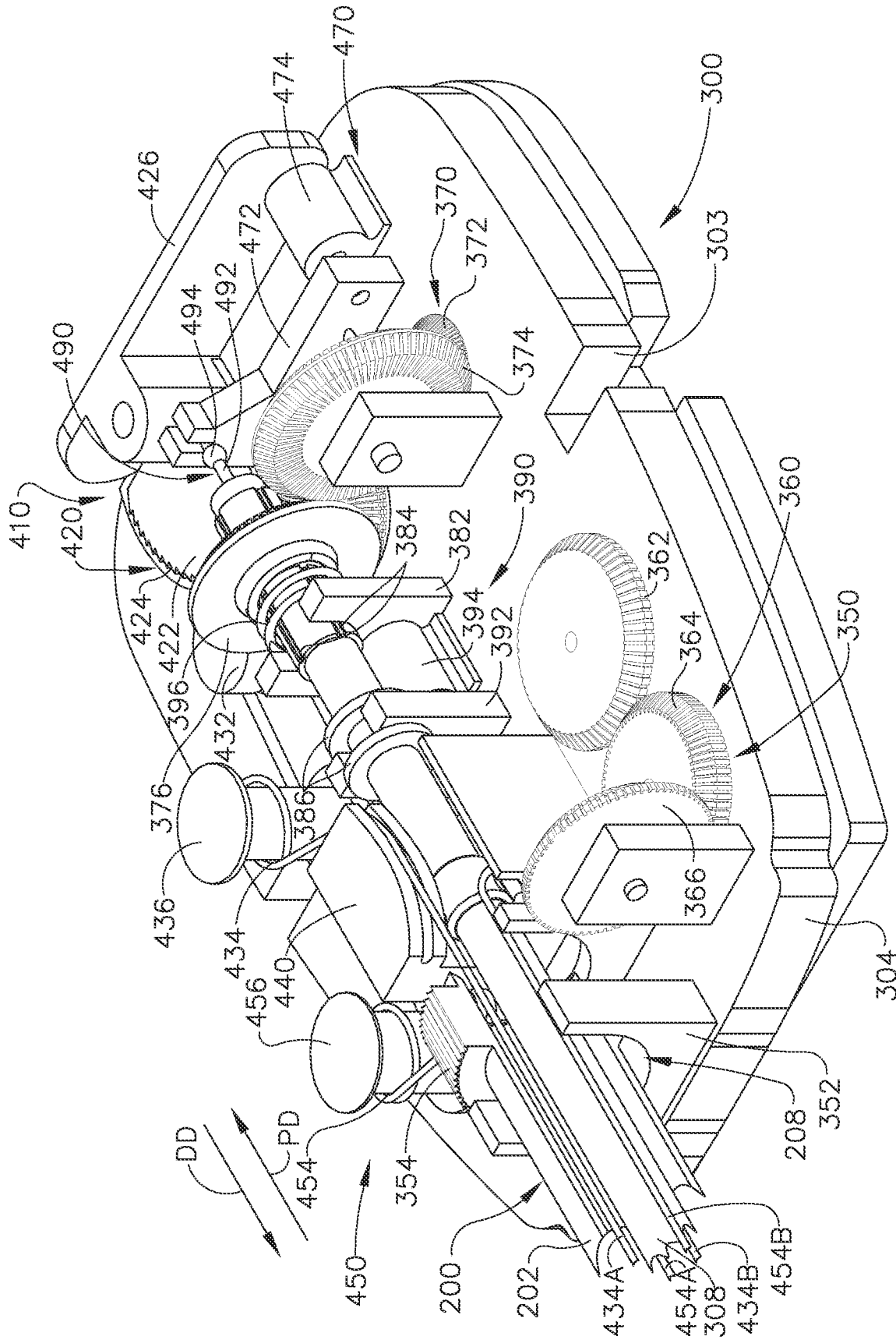


FIG. 11

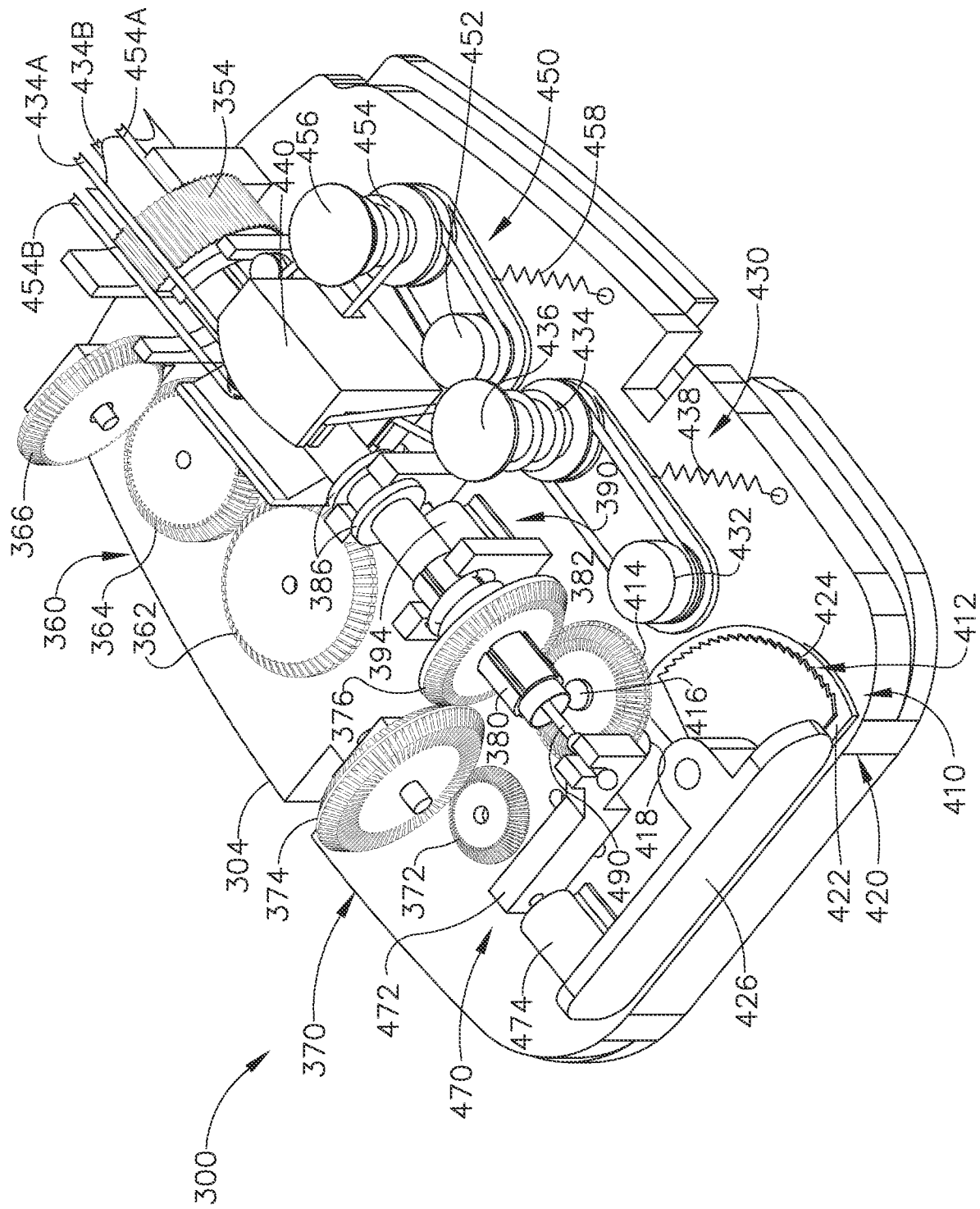


FIG. 12

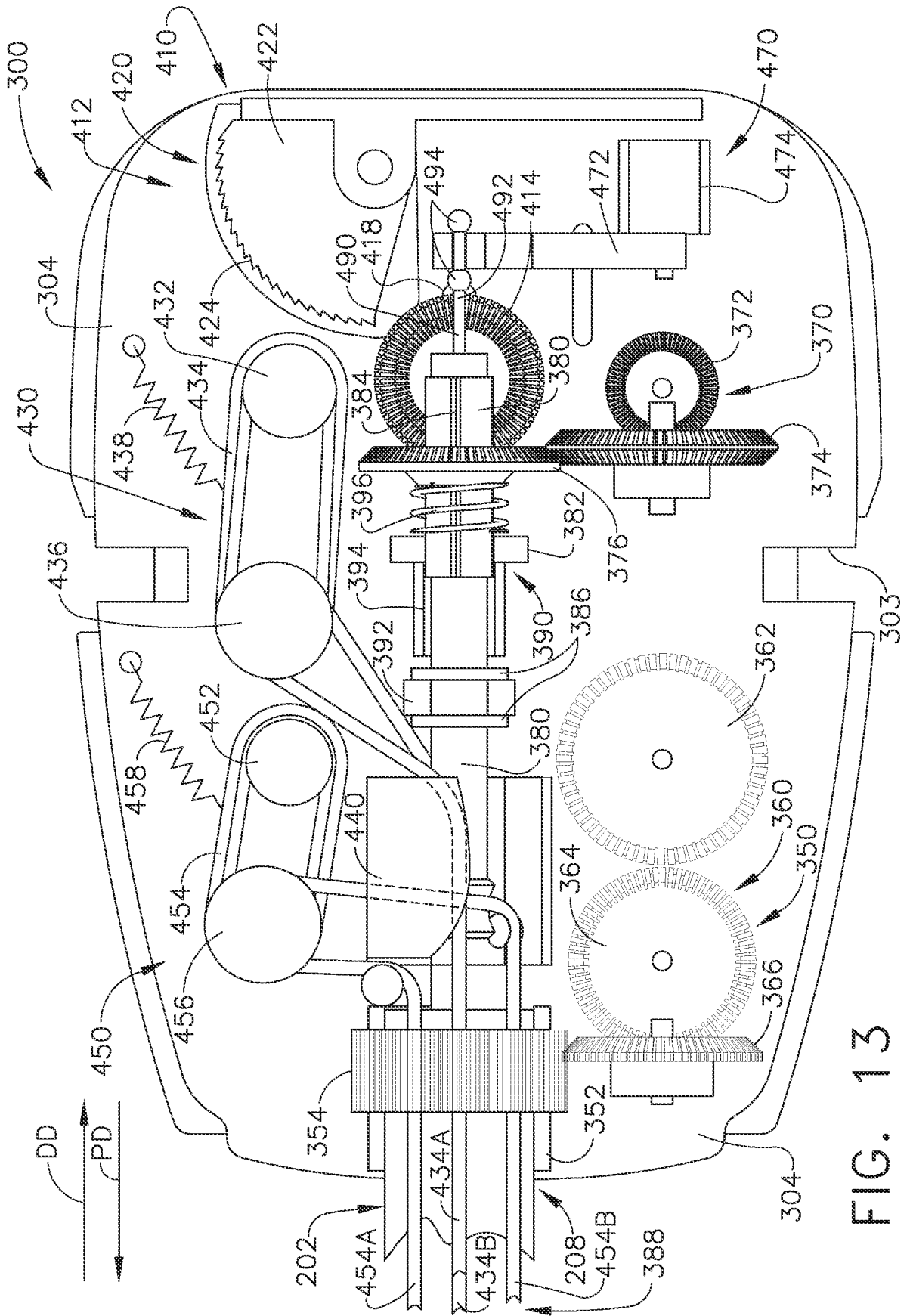


FIG. 13

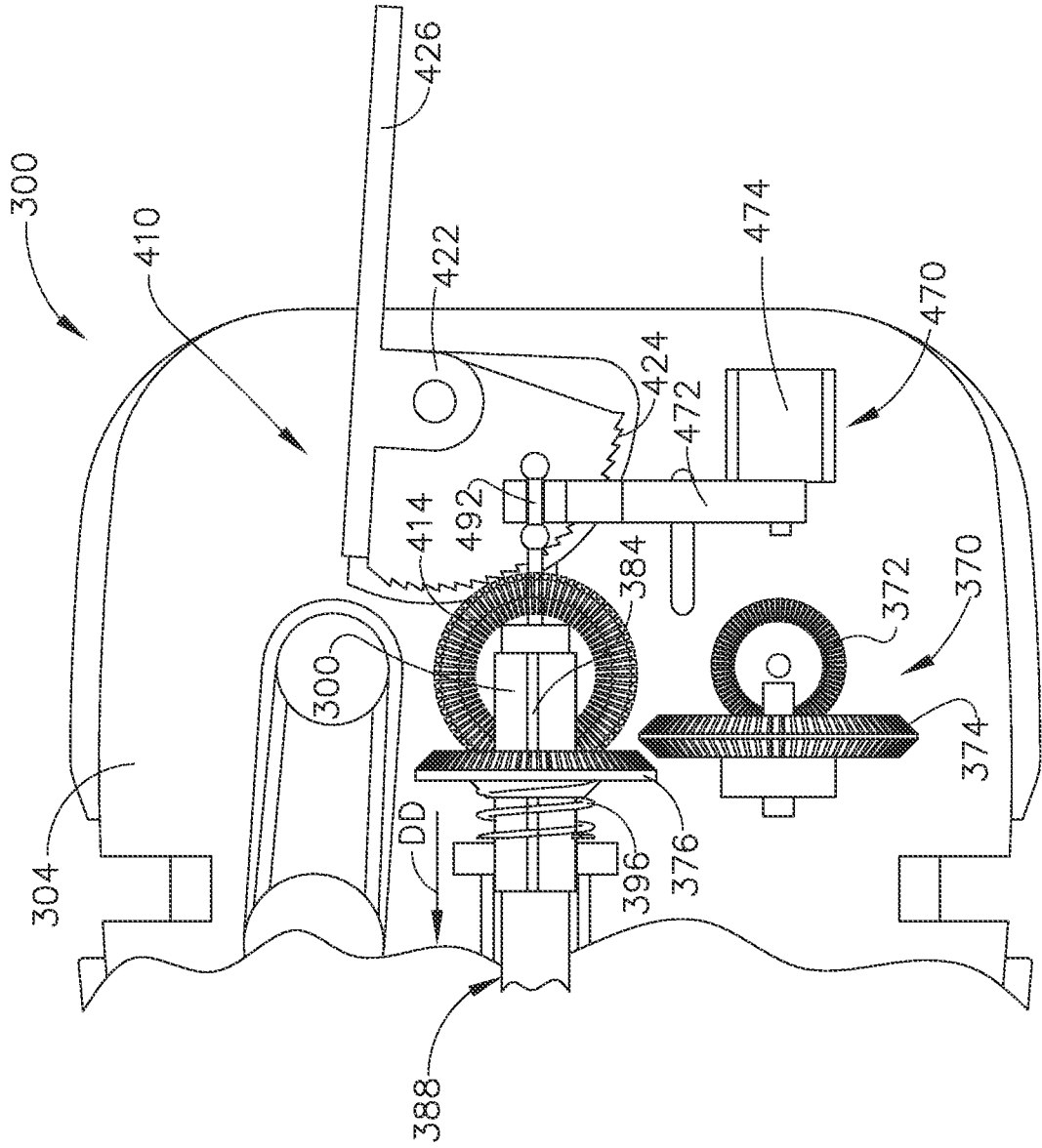


FIG. 16

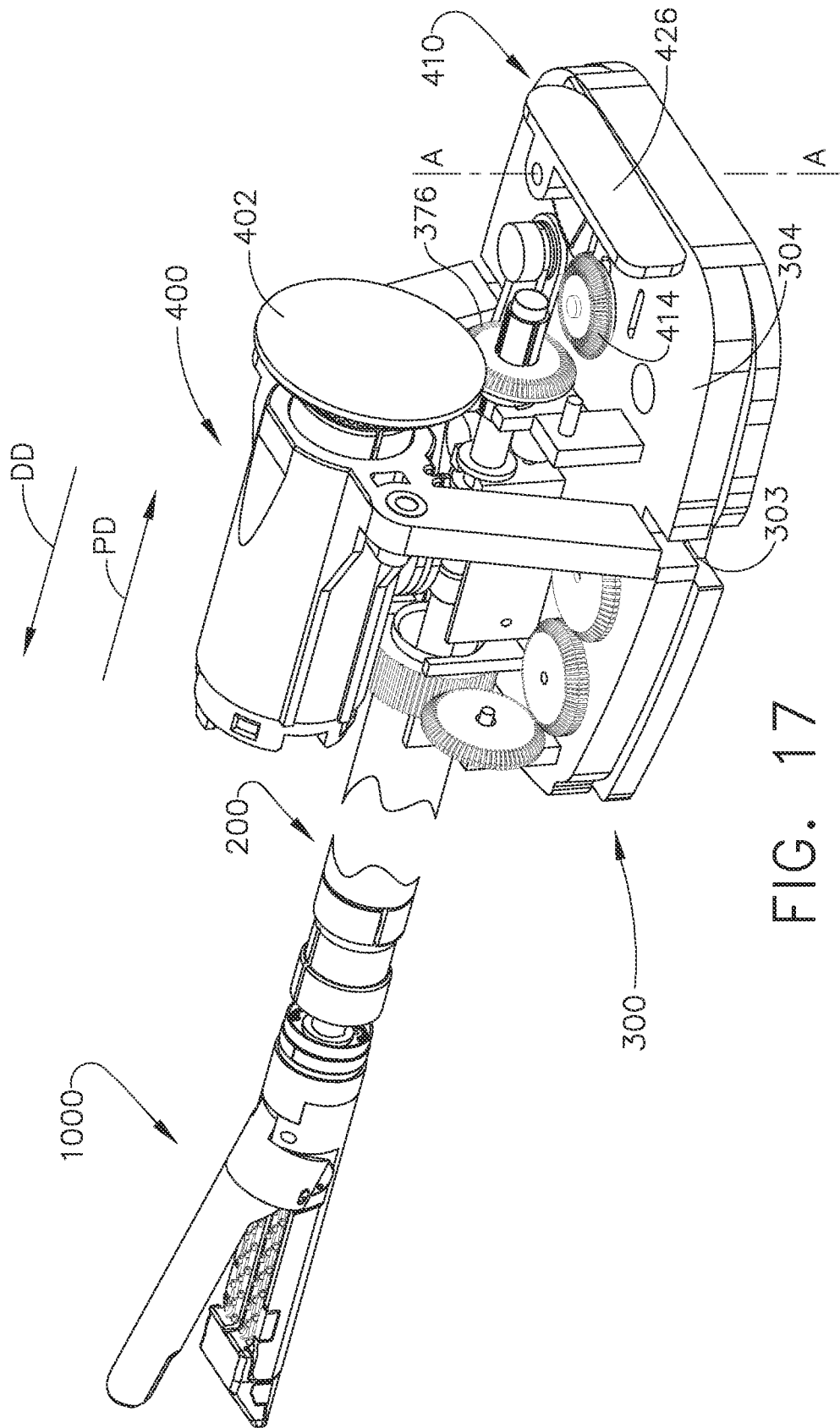


FIG. 17

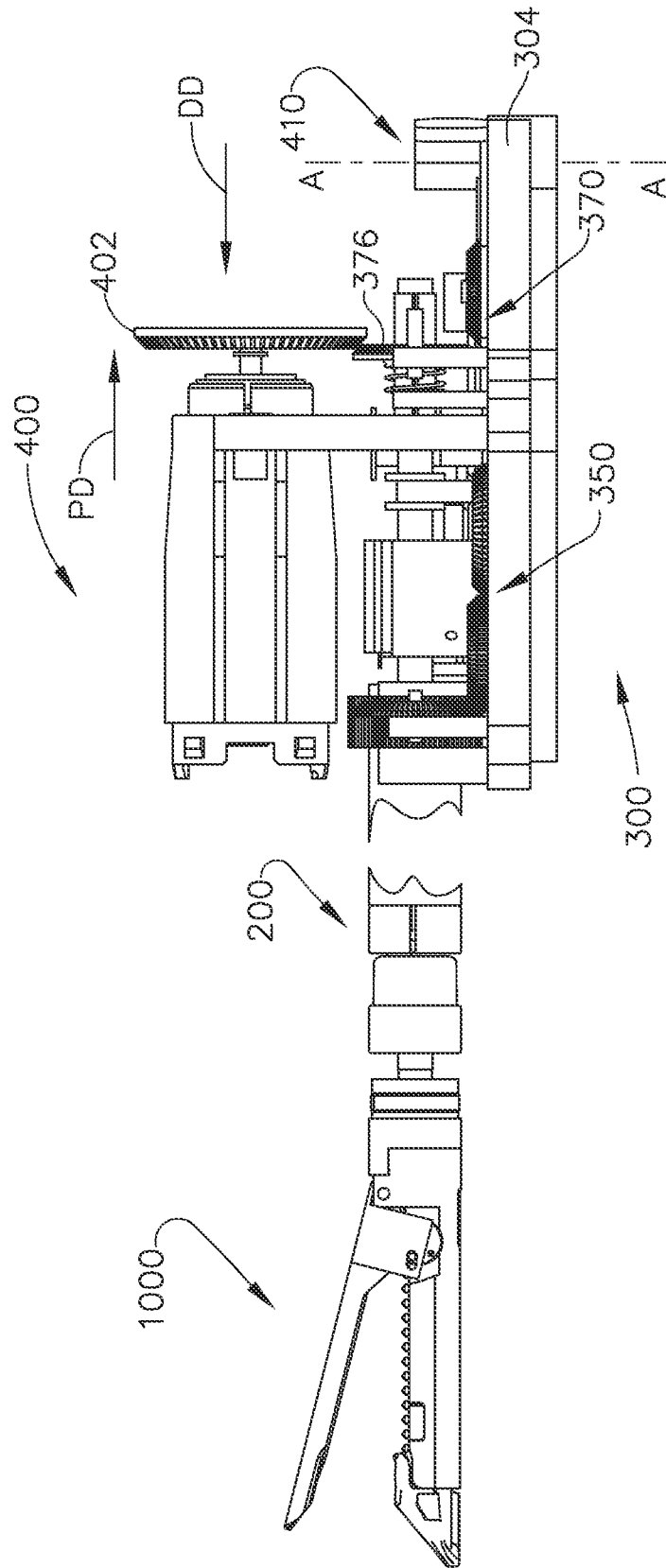


FIG. 18

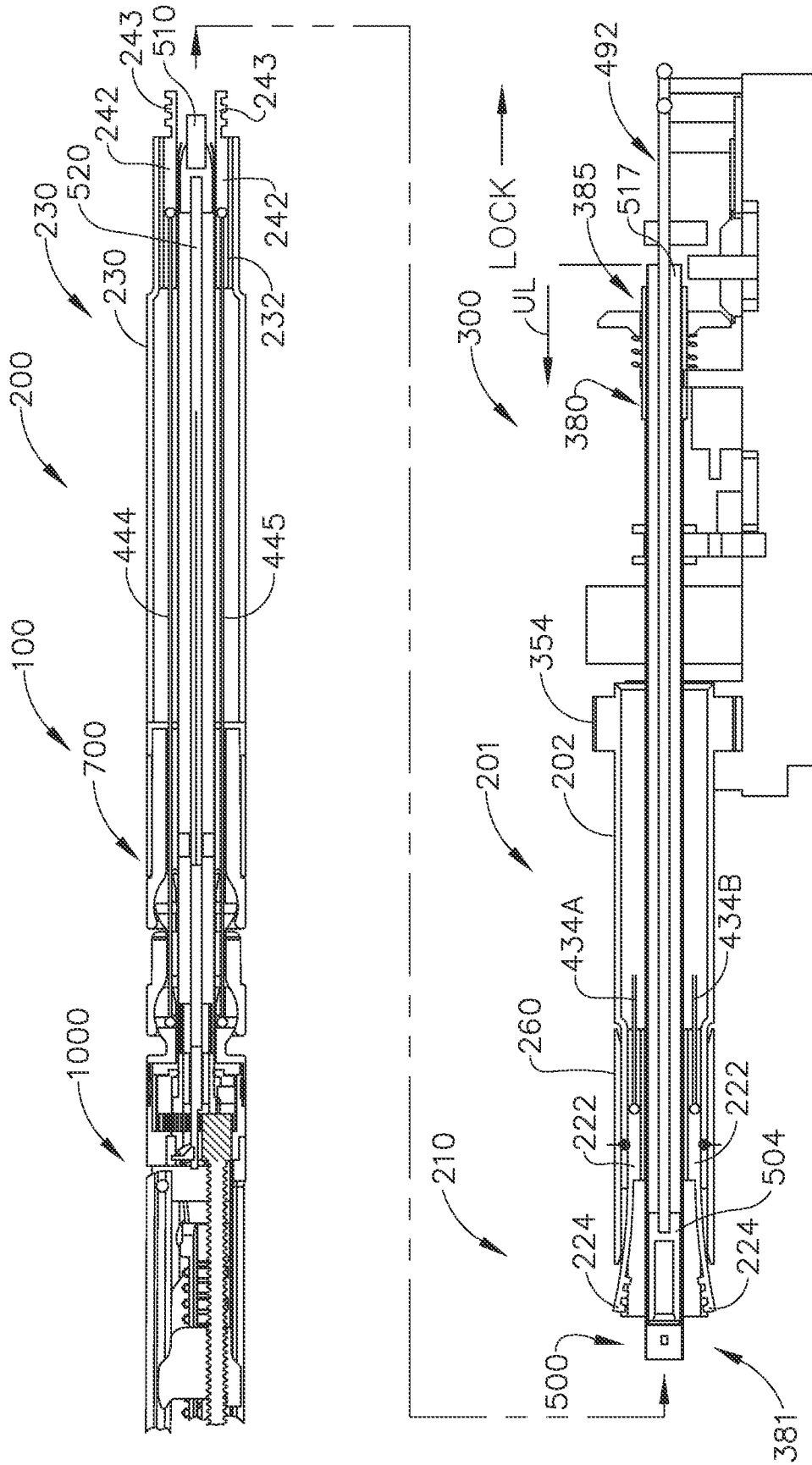


FIG. 19

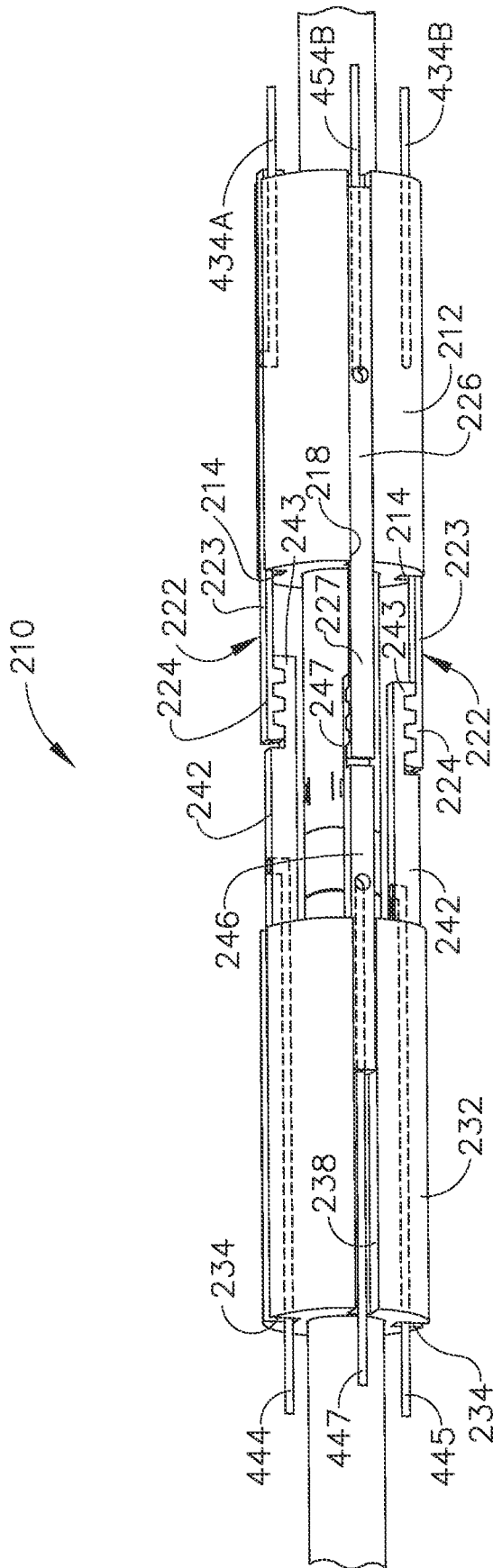


FIG. 20

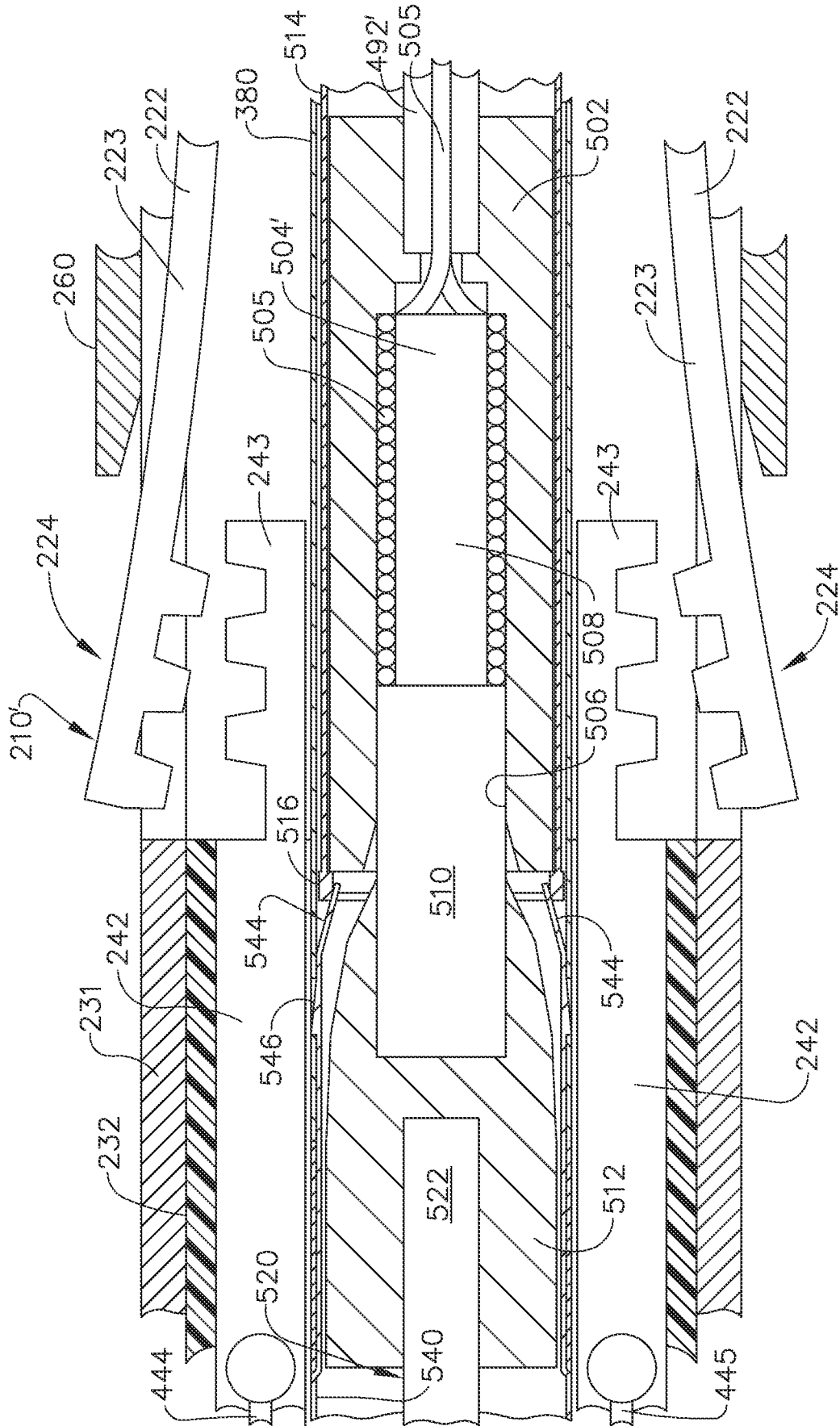


FIG. 22A

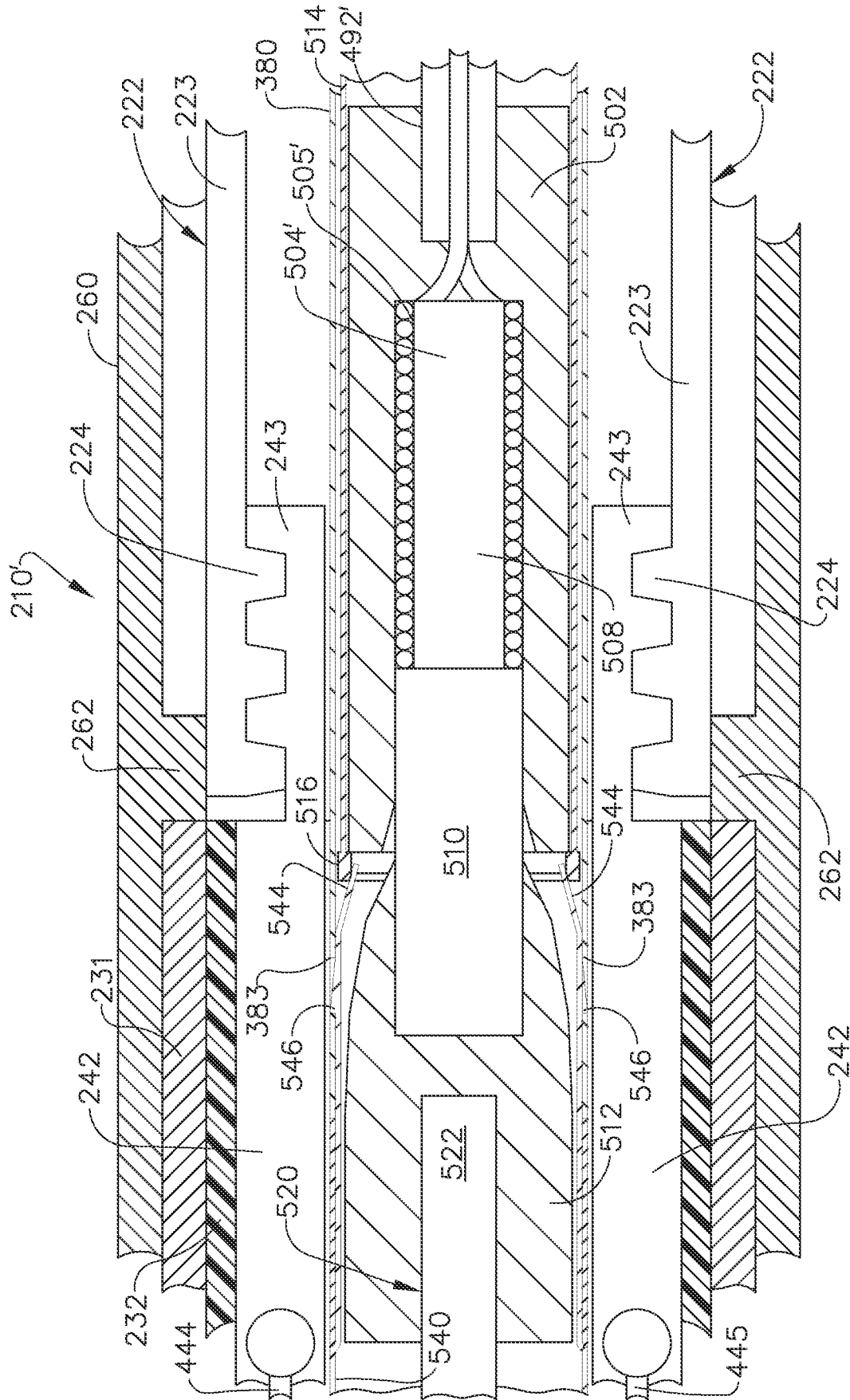


FIG. 23A

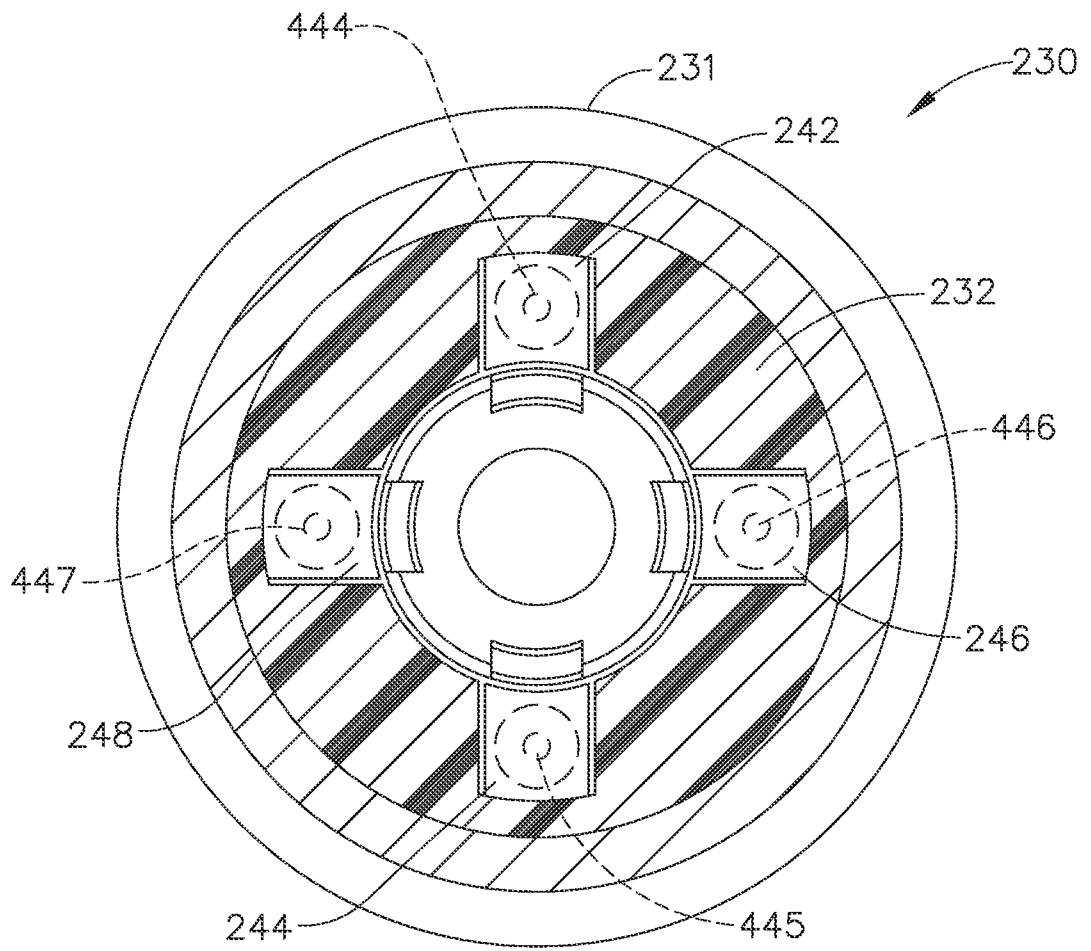


FIG. 24

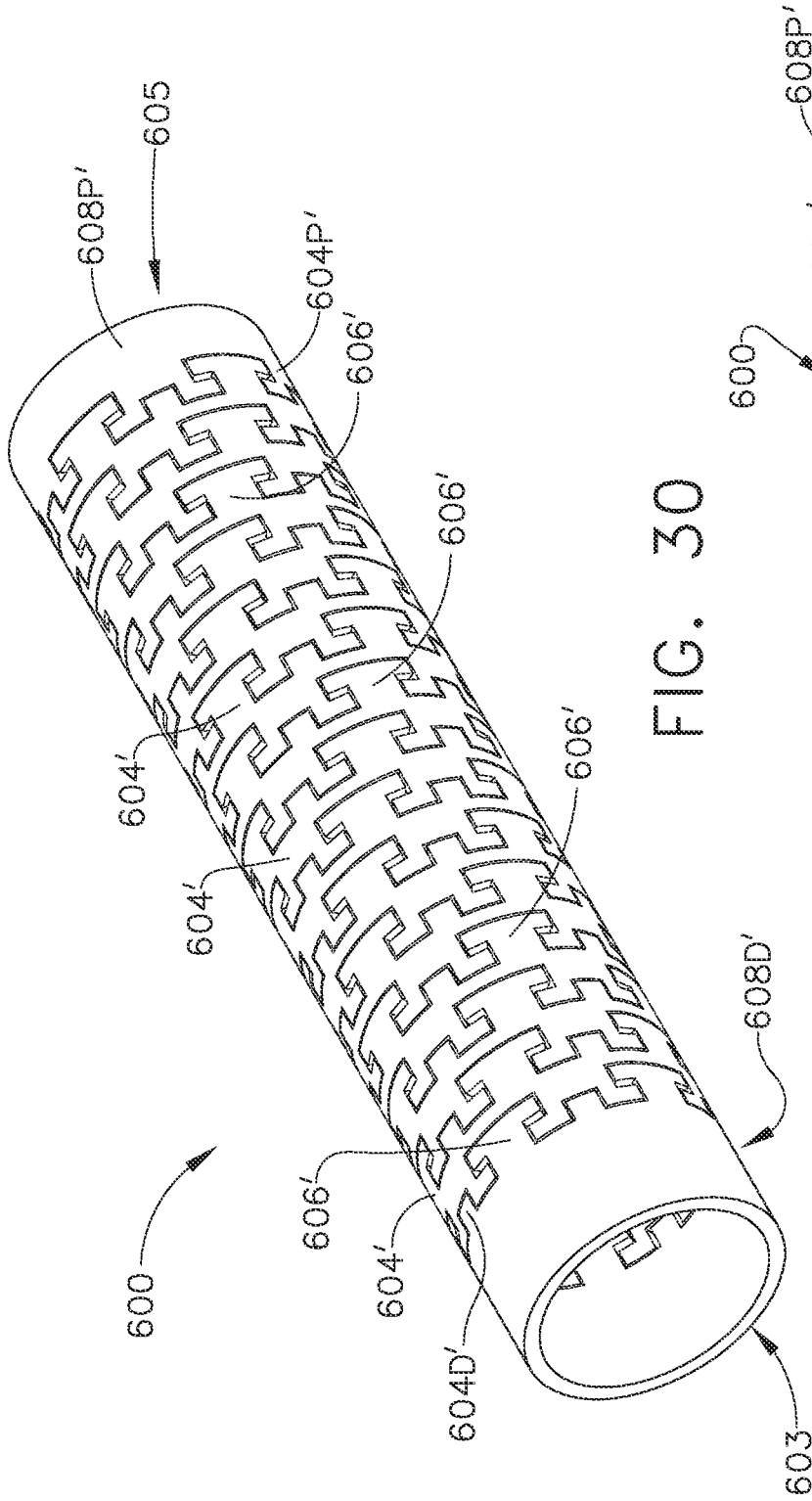


FIG. 30

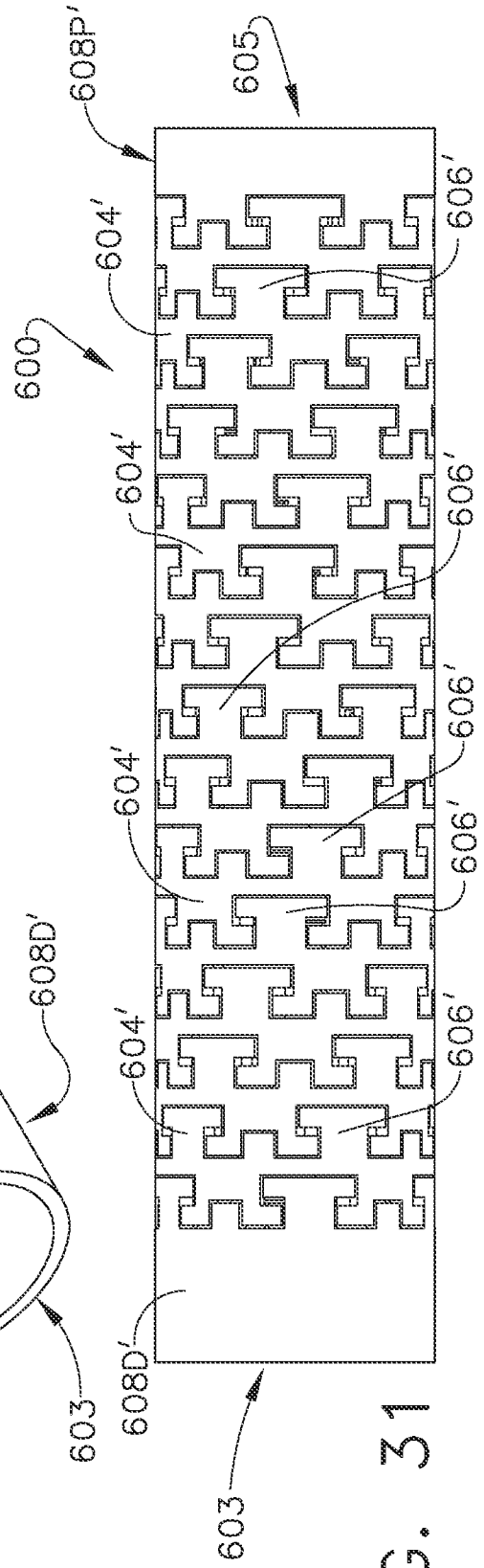


FIG. 31

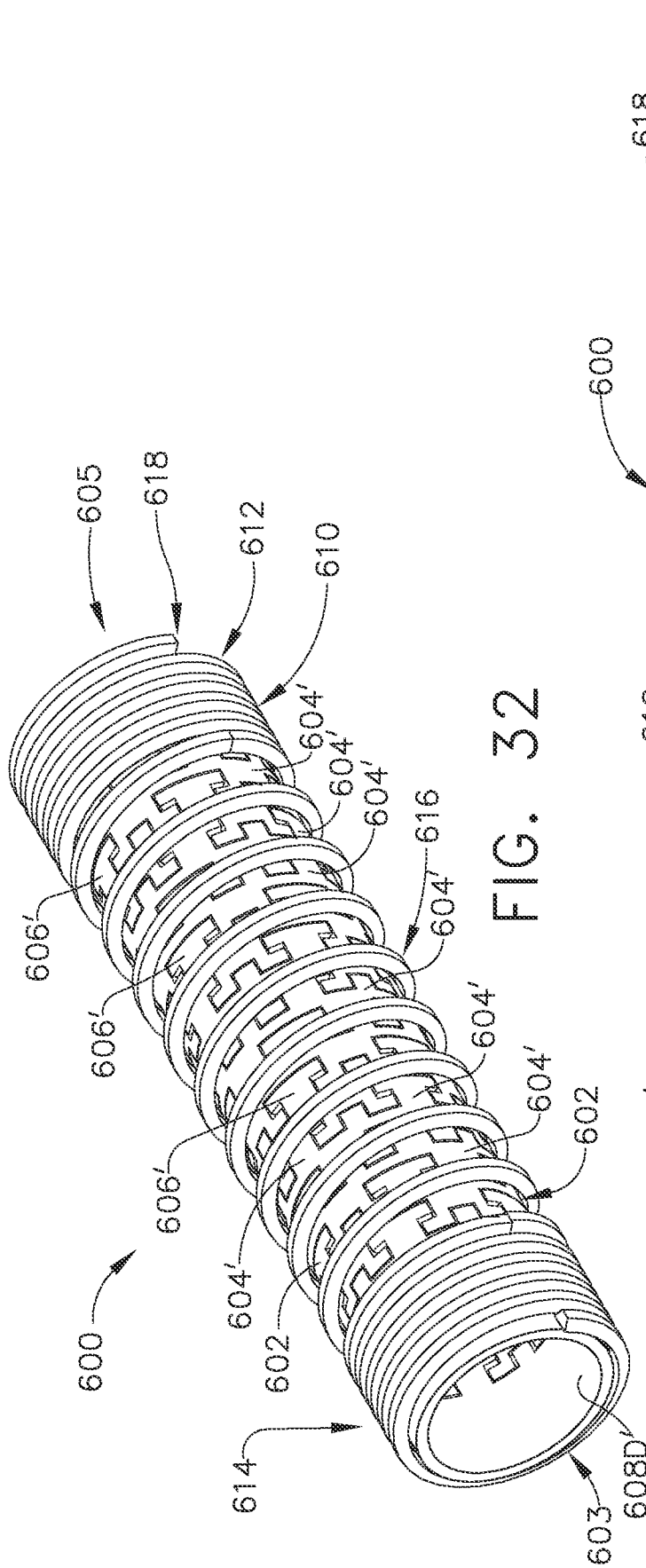


FIG. 32

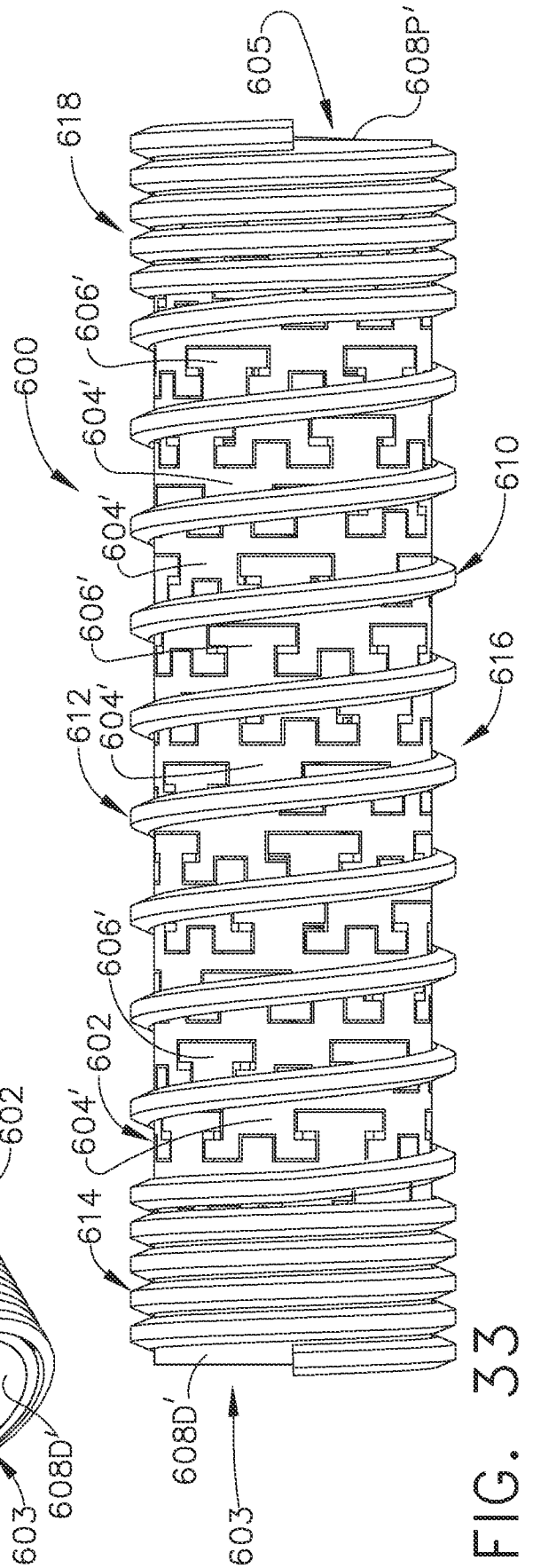


FIG. 33

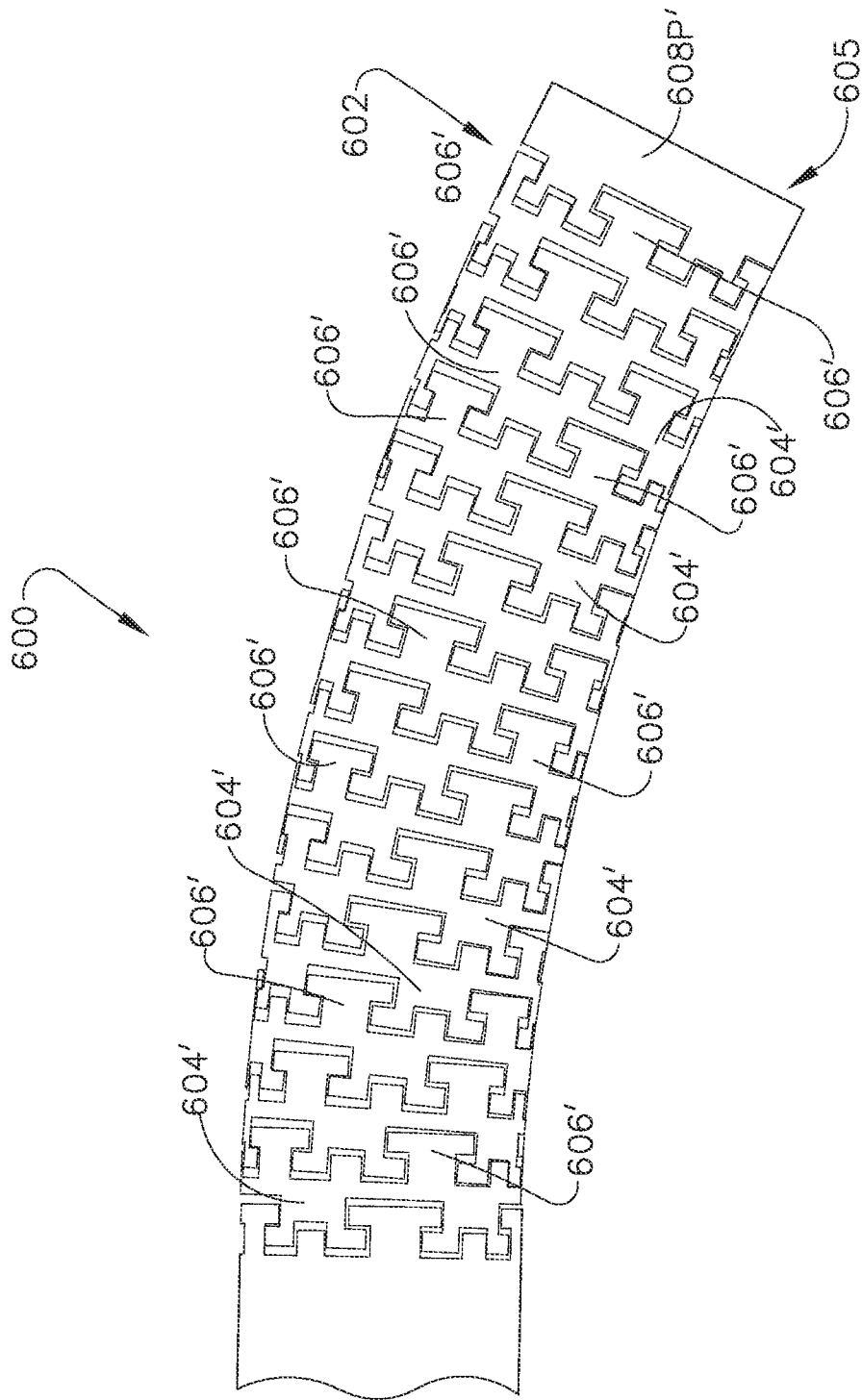


FIG. 34

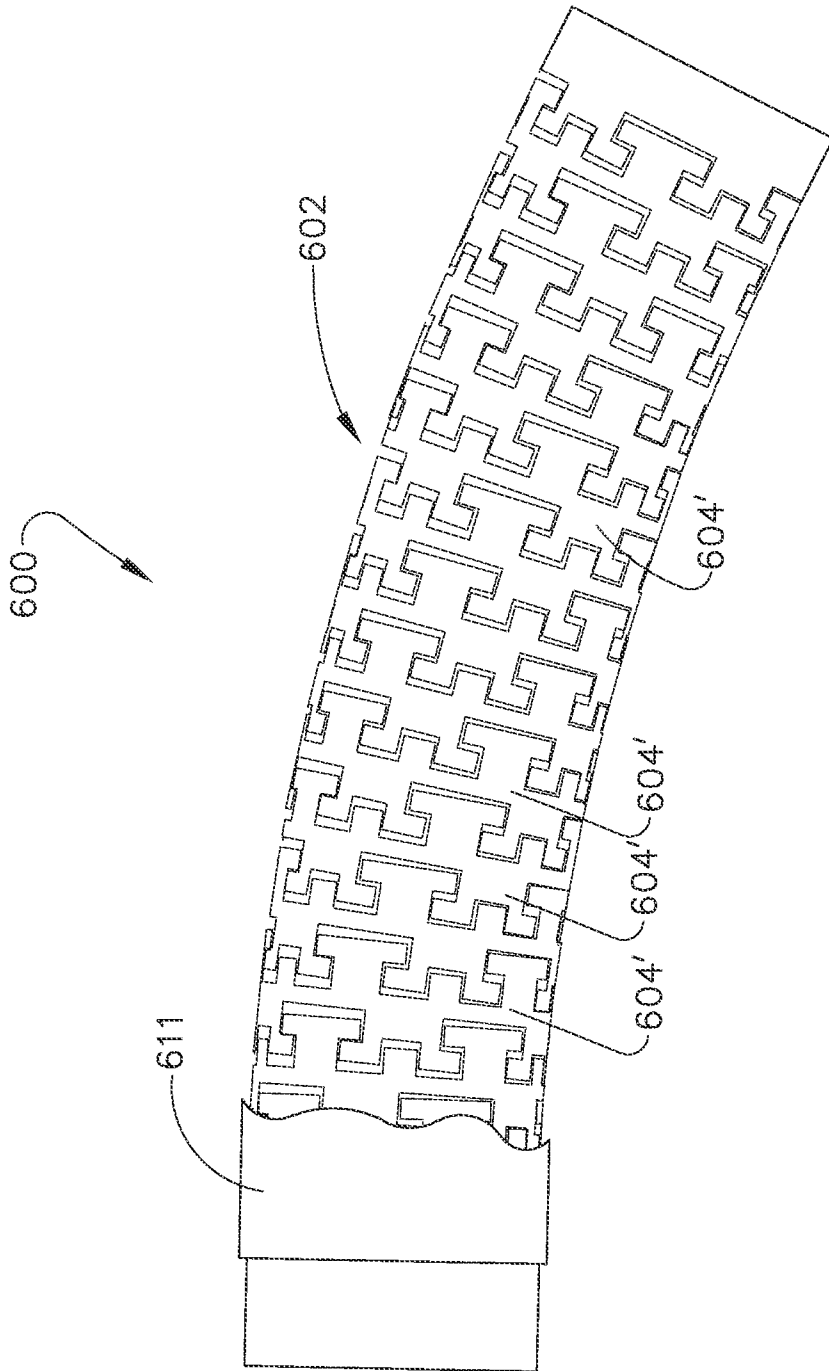


FIG. 34A

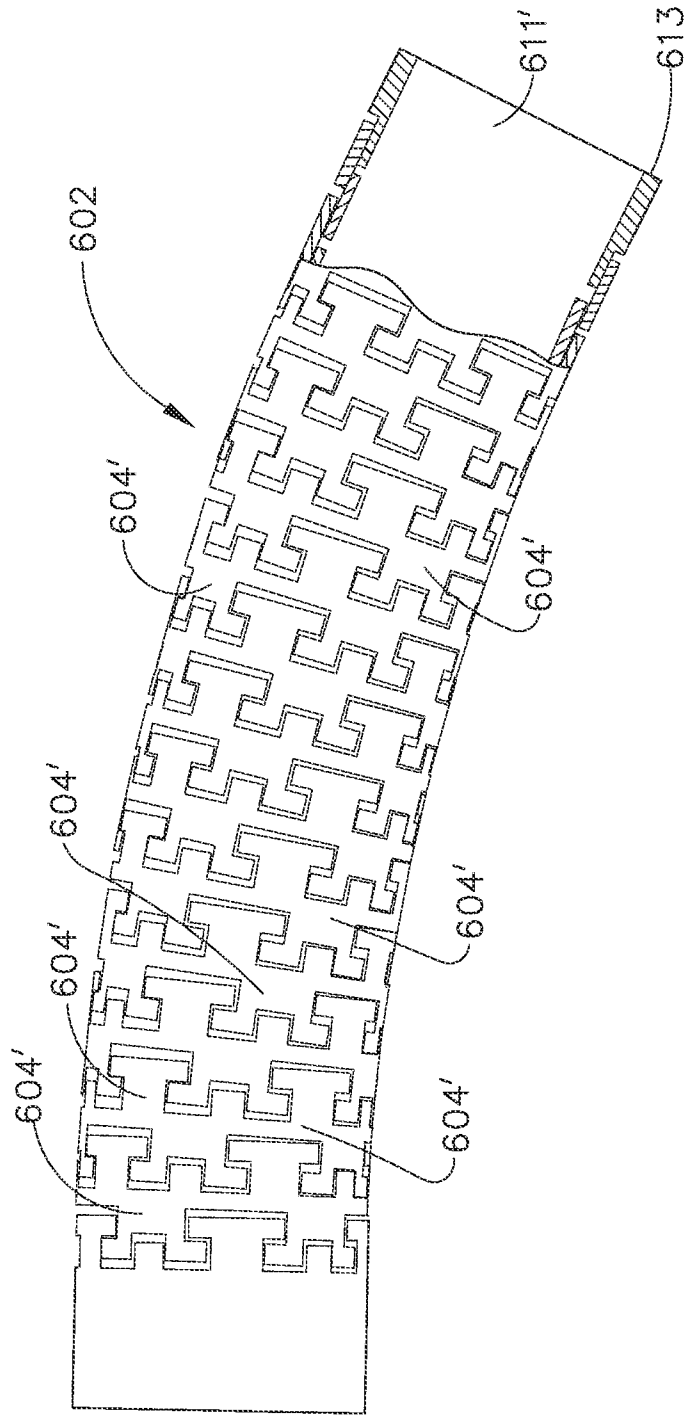


FIG. 34B

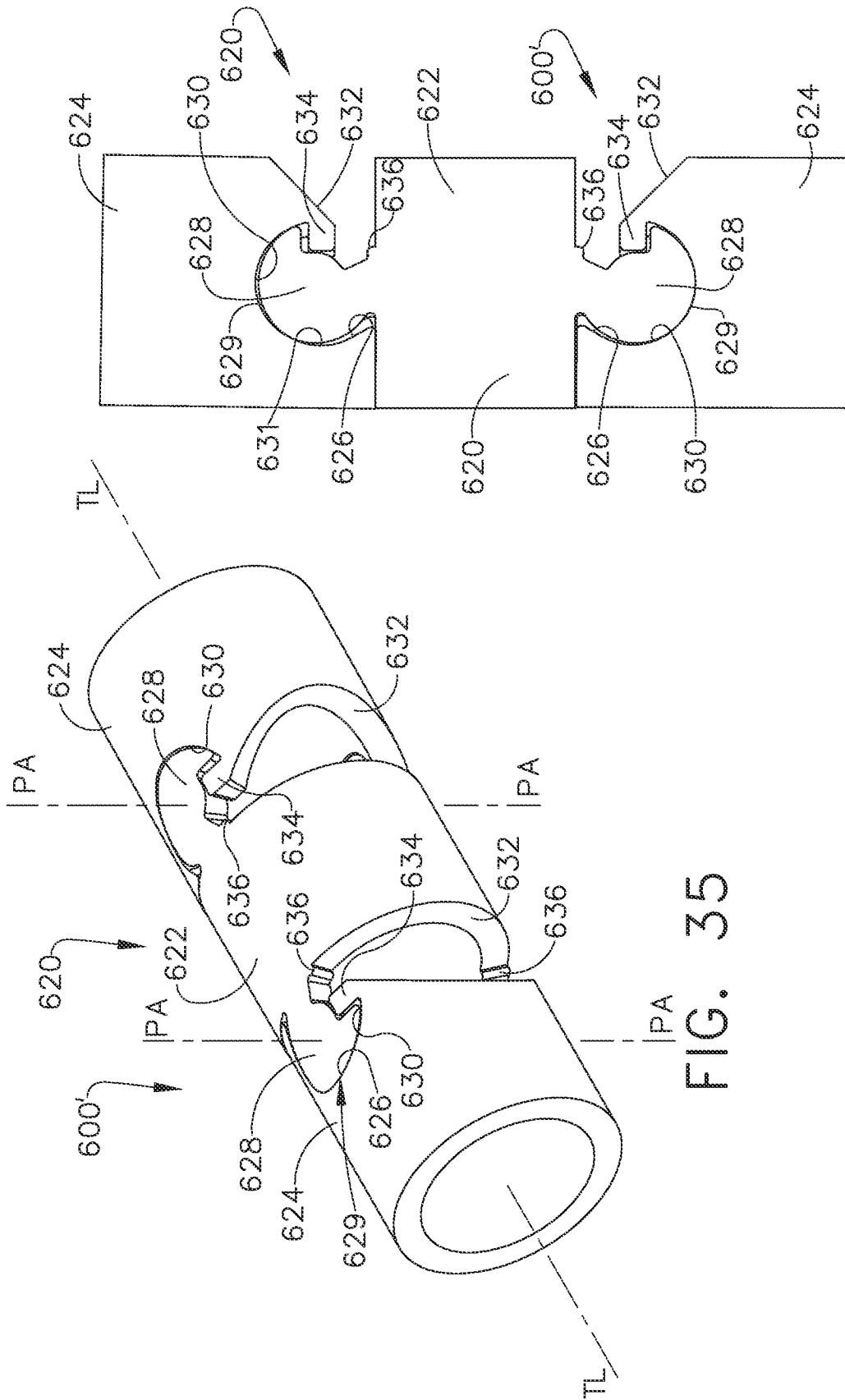


FIG. 35

FIG. 36

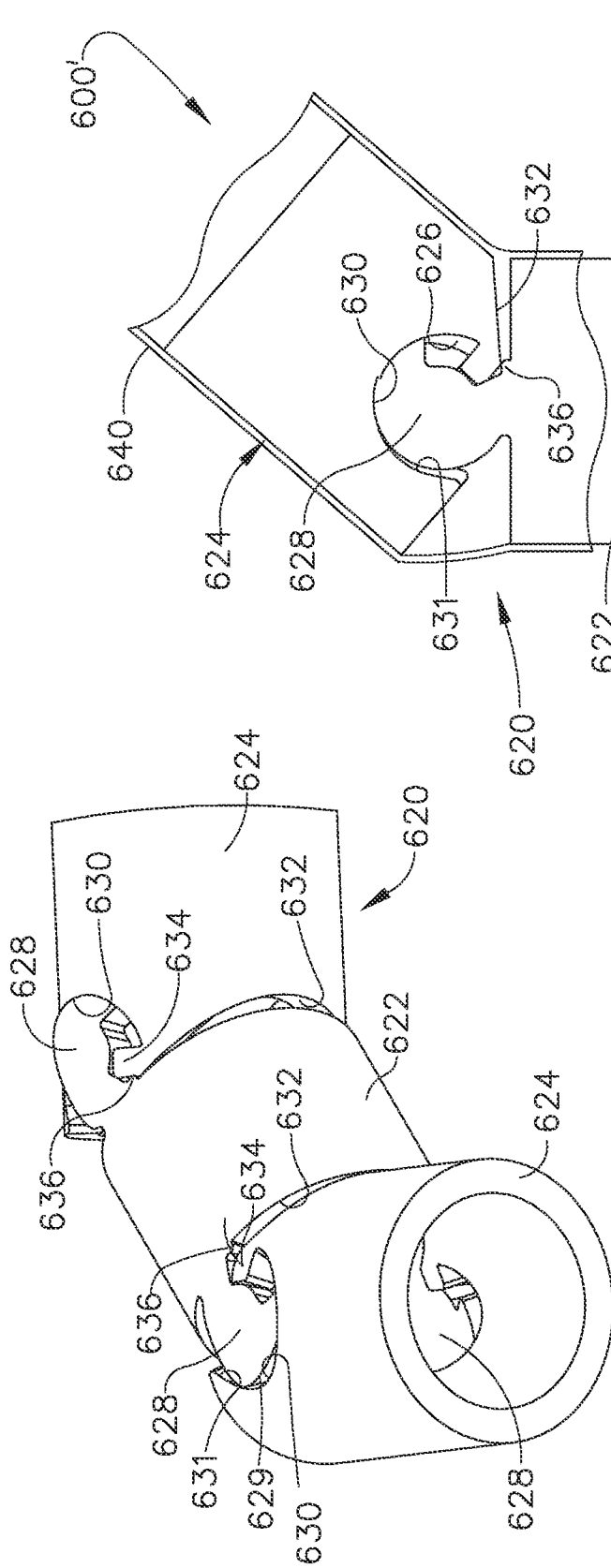


FIG. 37

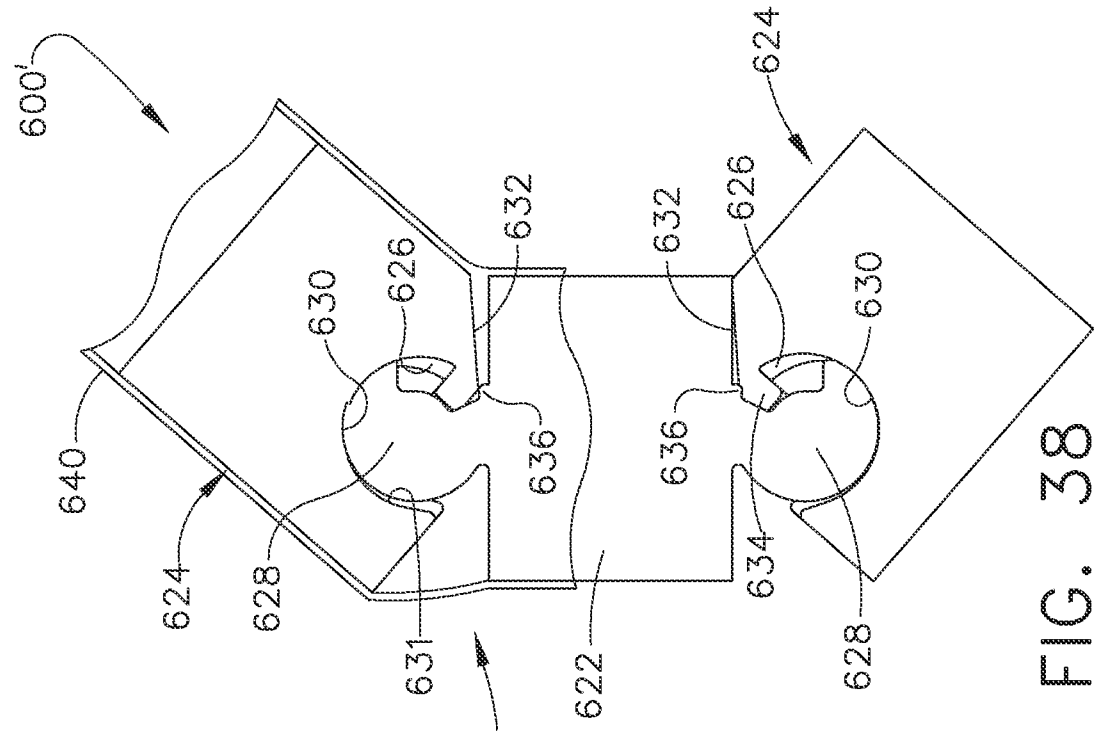


FIG. 38

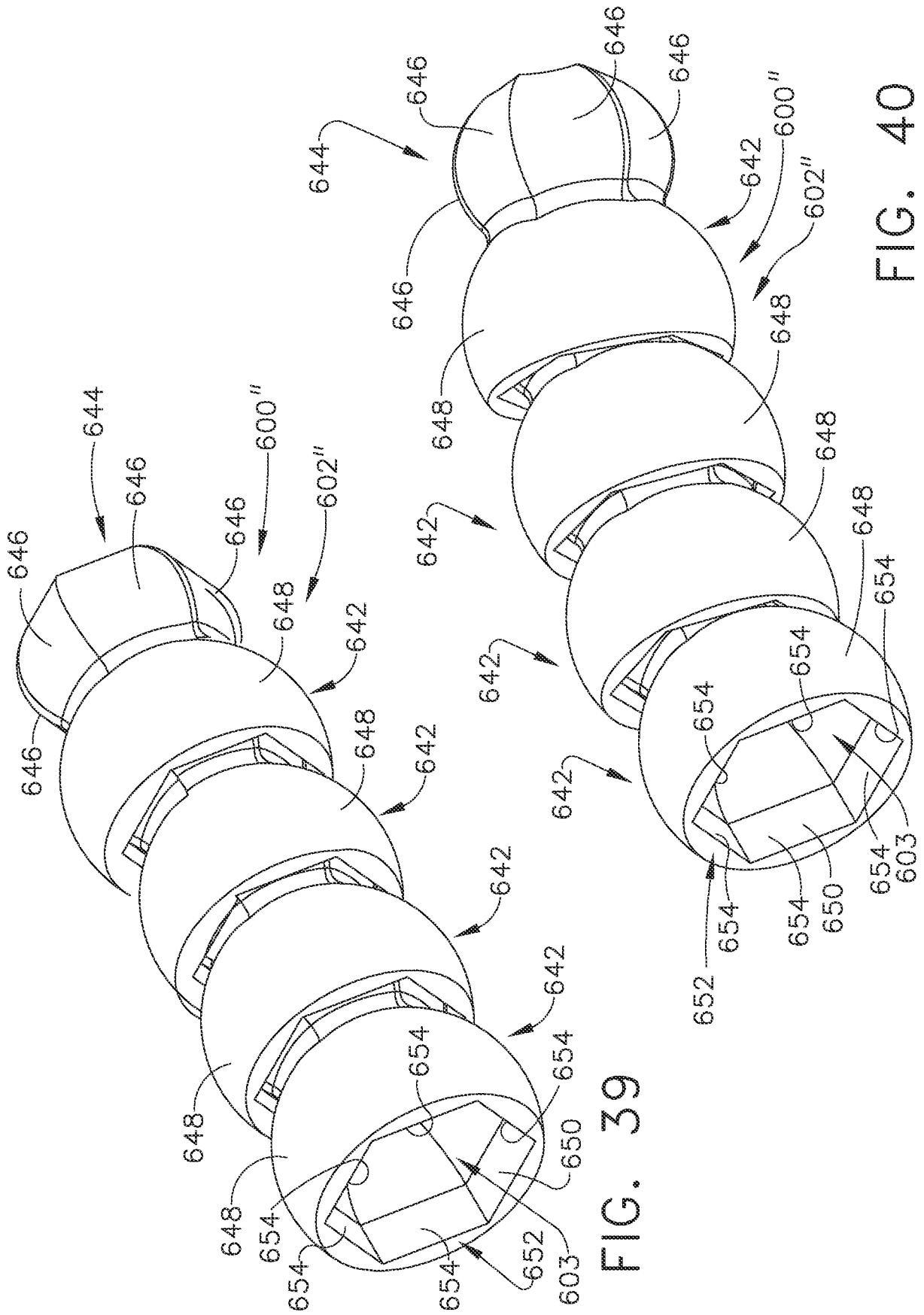


FIG. 39

FIG. 40

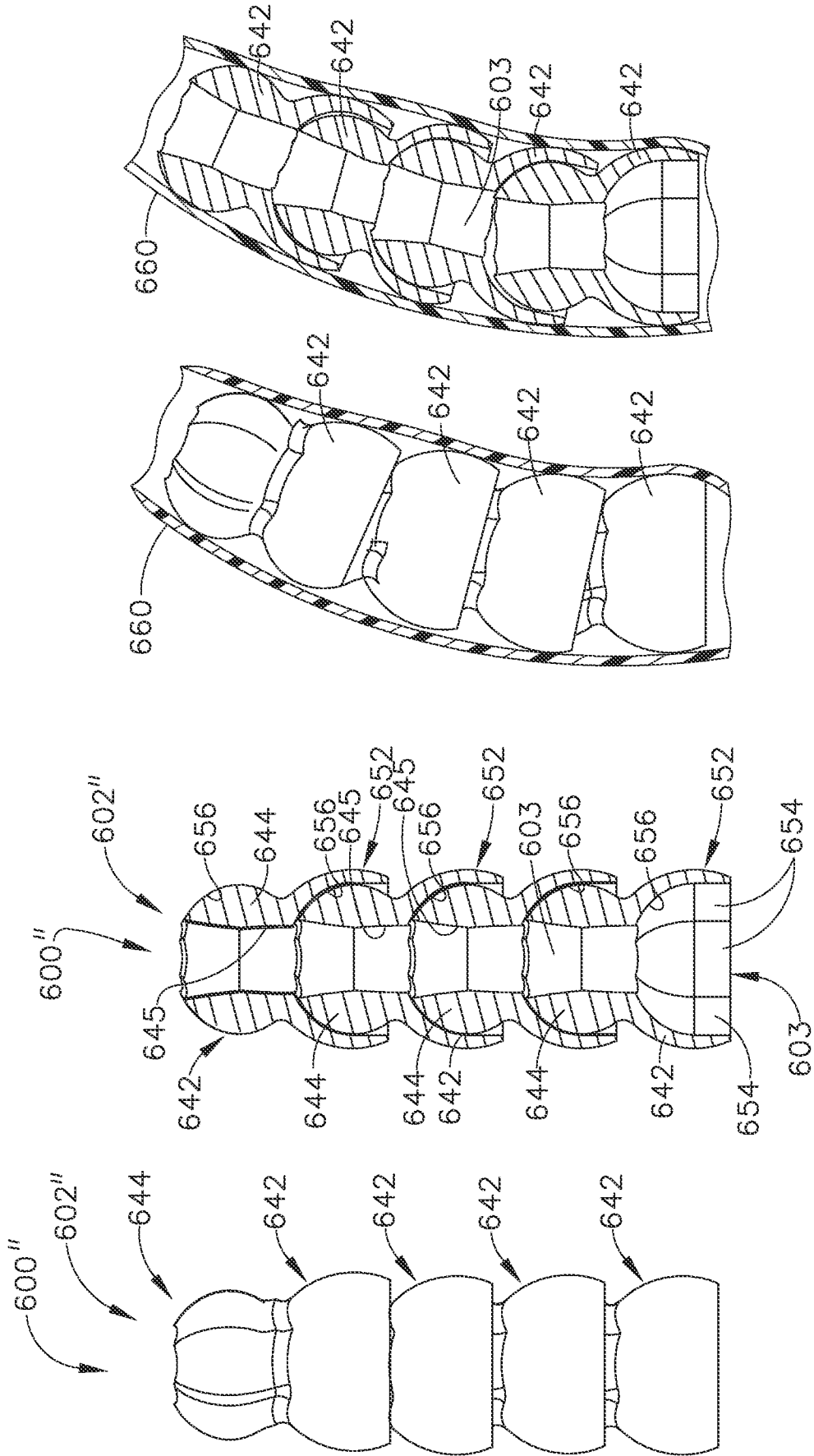


FIG. 41 FIG. 42 FIG. 43 FIG. 44

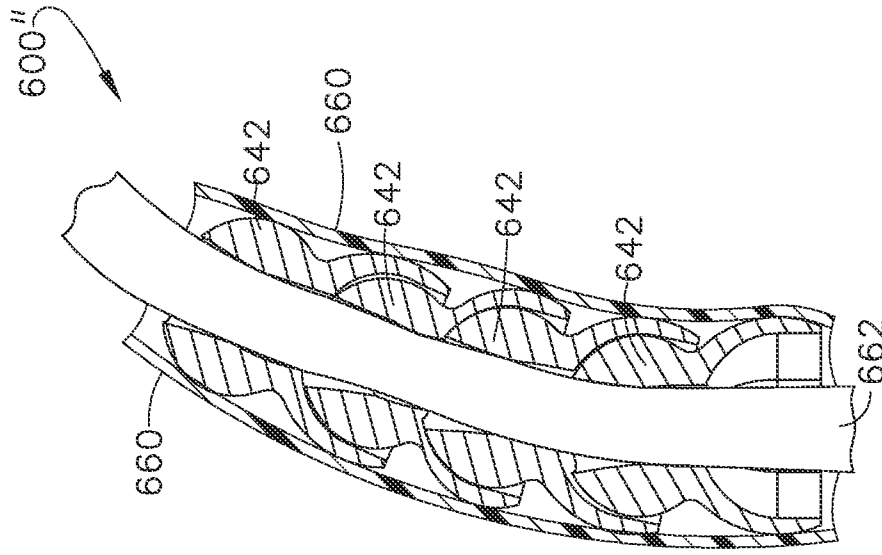


FIG. 45

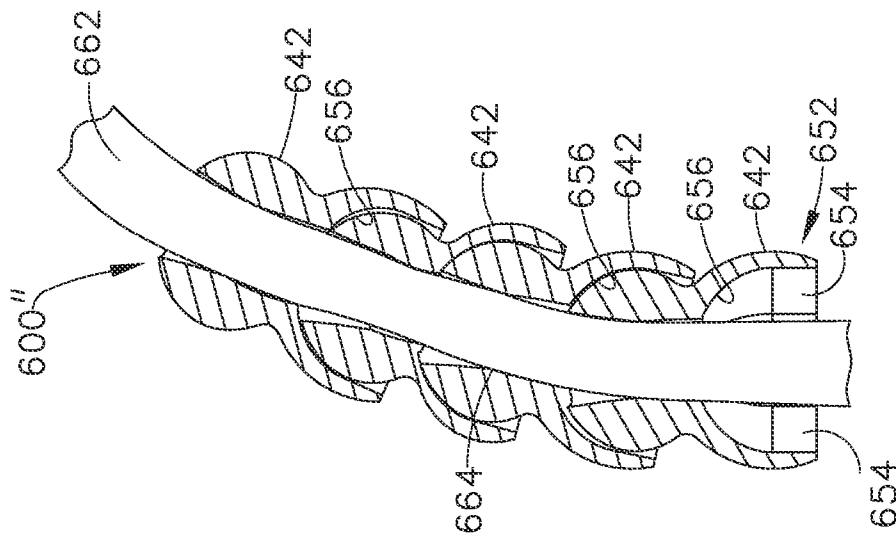


FIG. 46

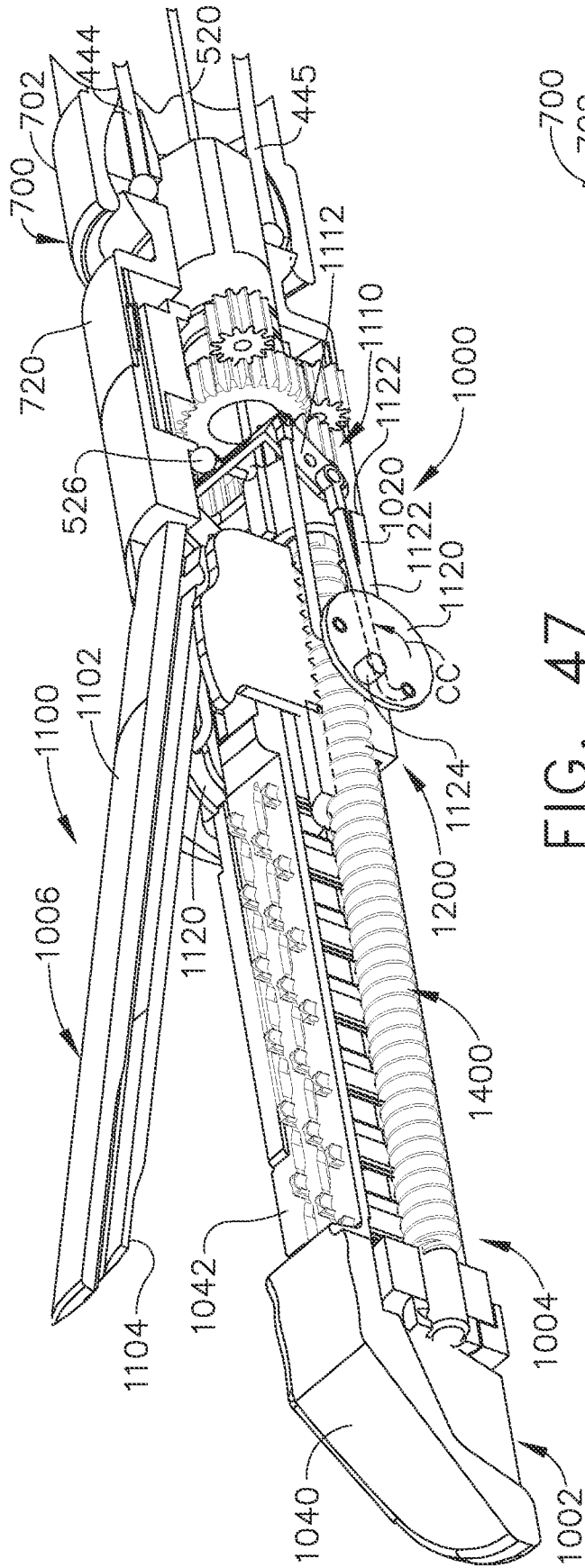


FIG. 47

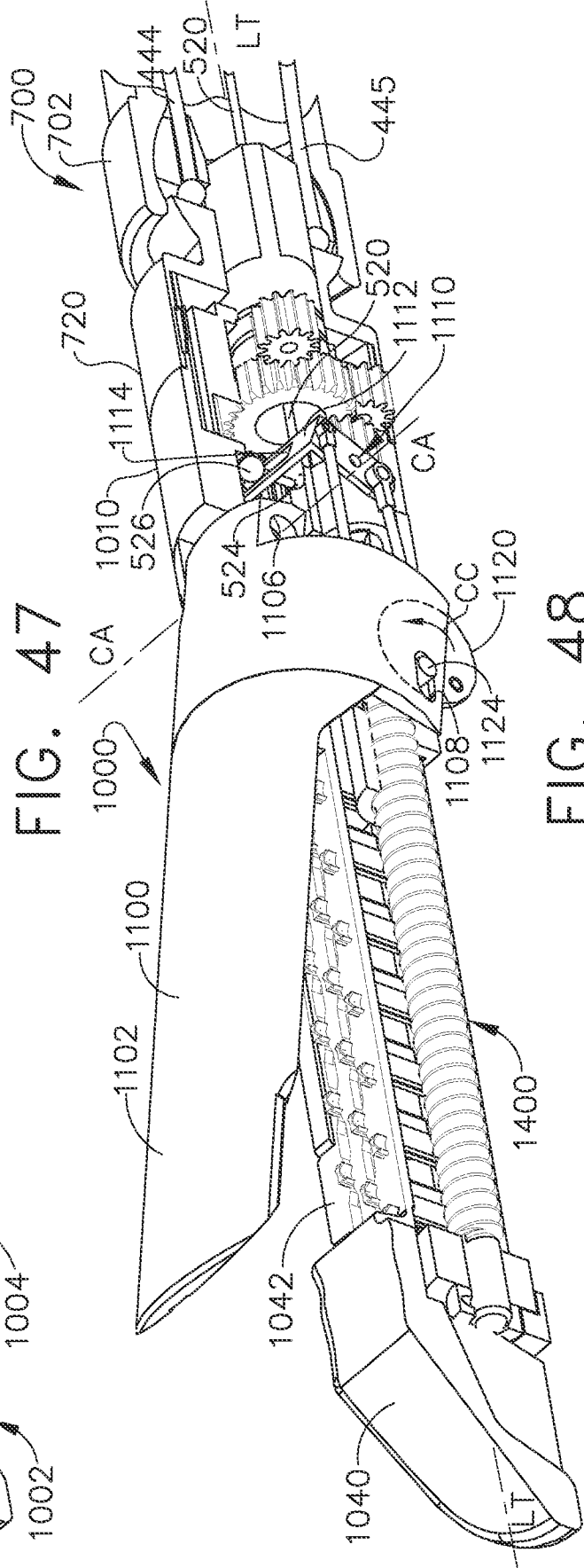


FIG. 48

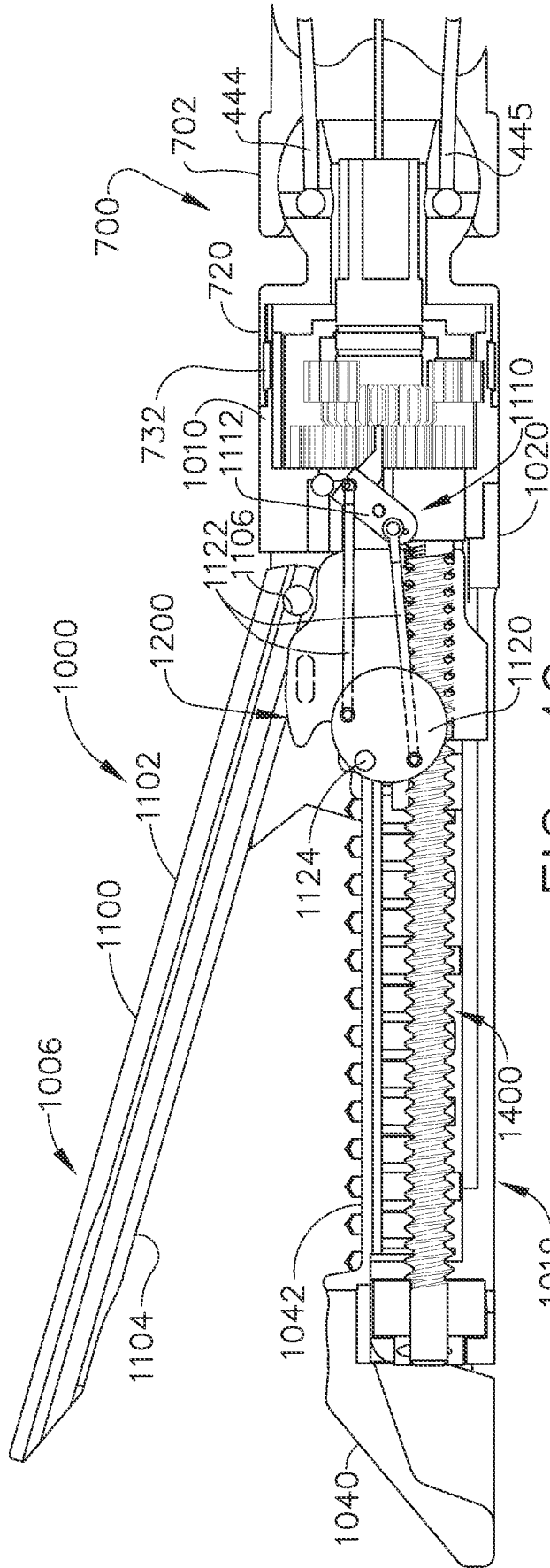


FIG. 49

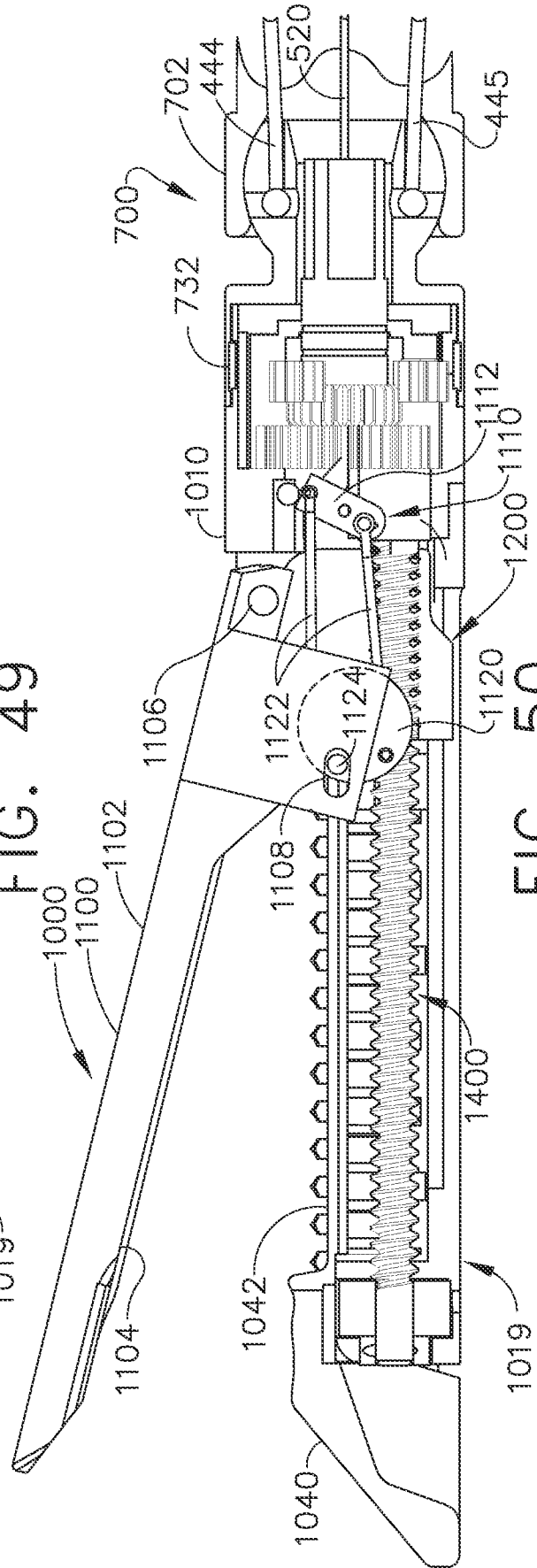


FIG. 50

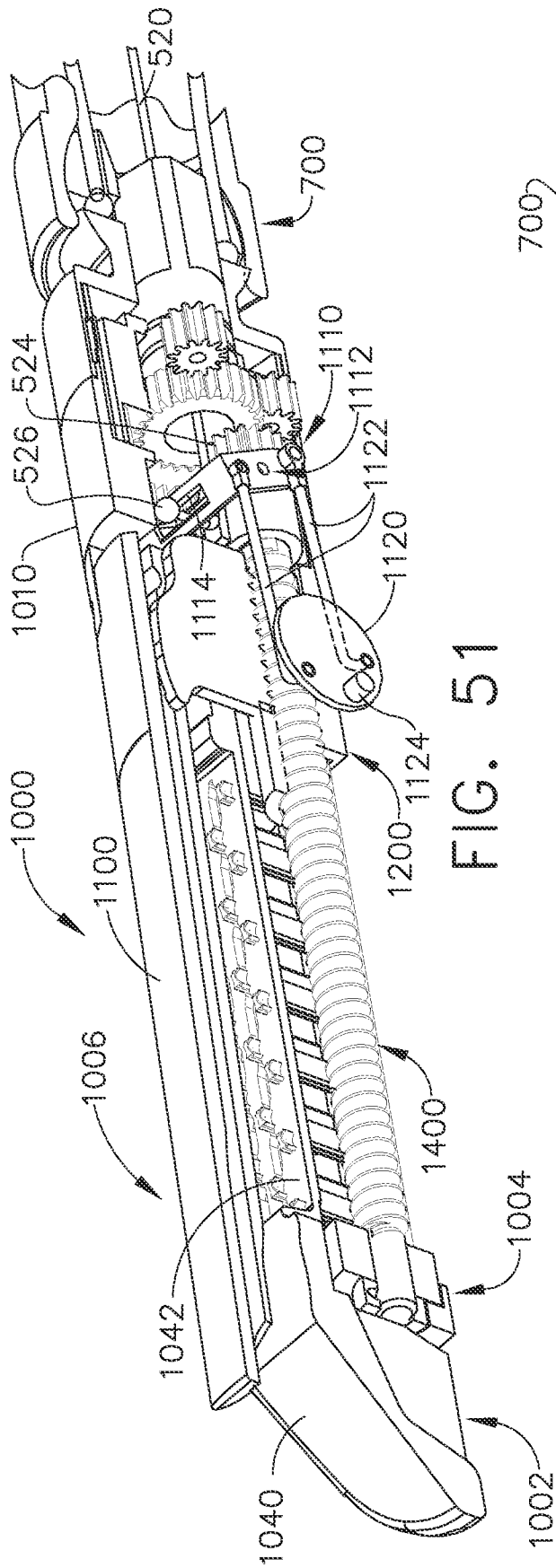


FIG. 51

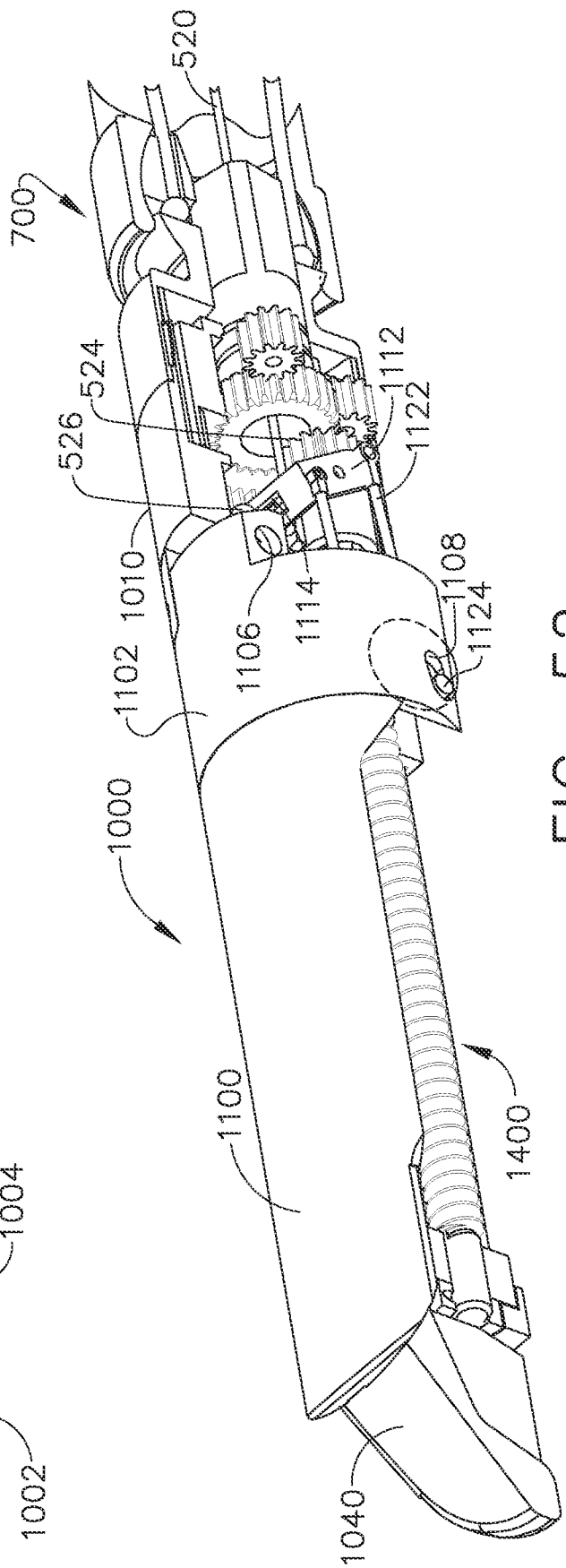


FIG. 52

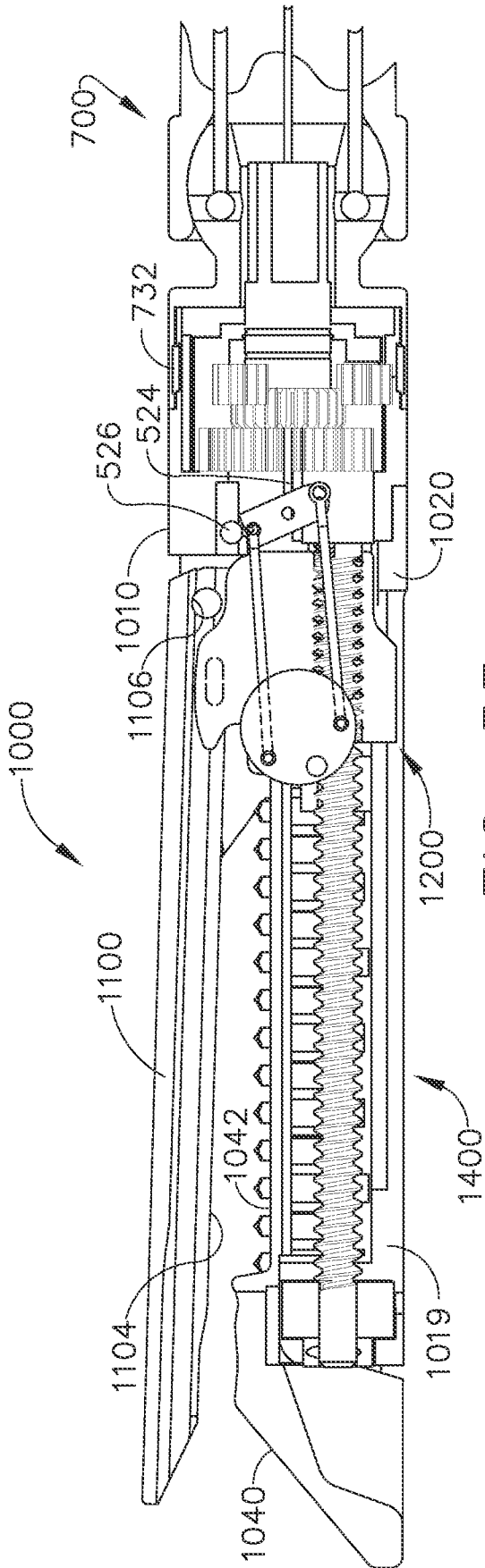


FIG. 53

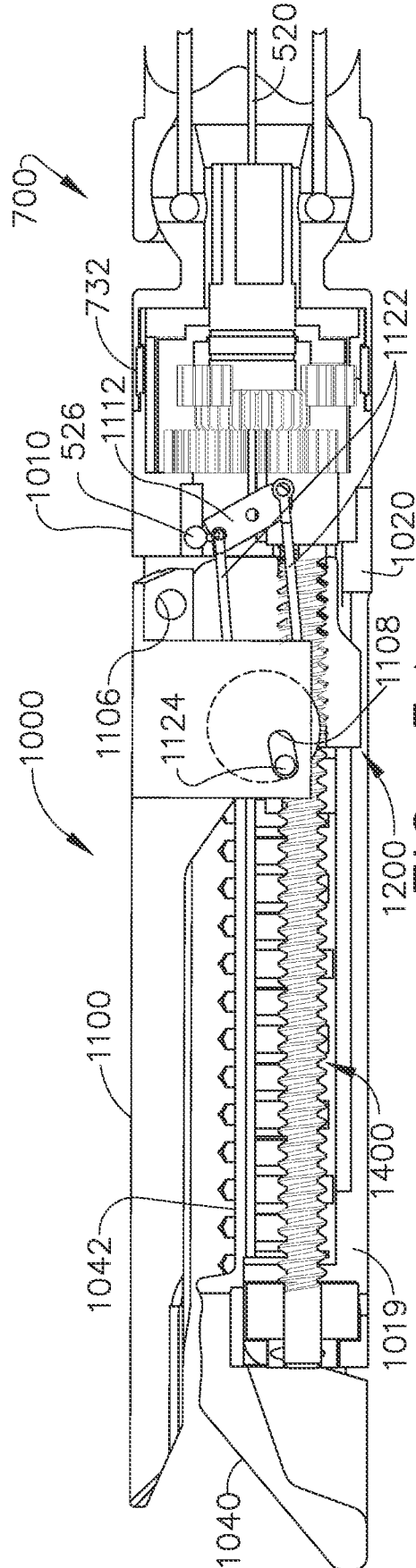


FIG. 54

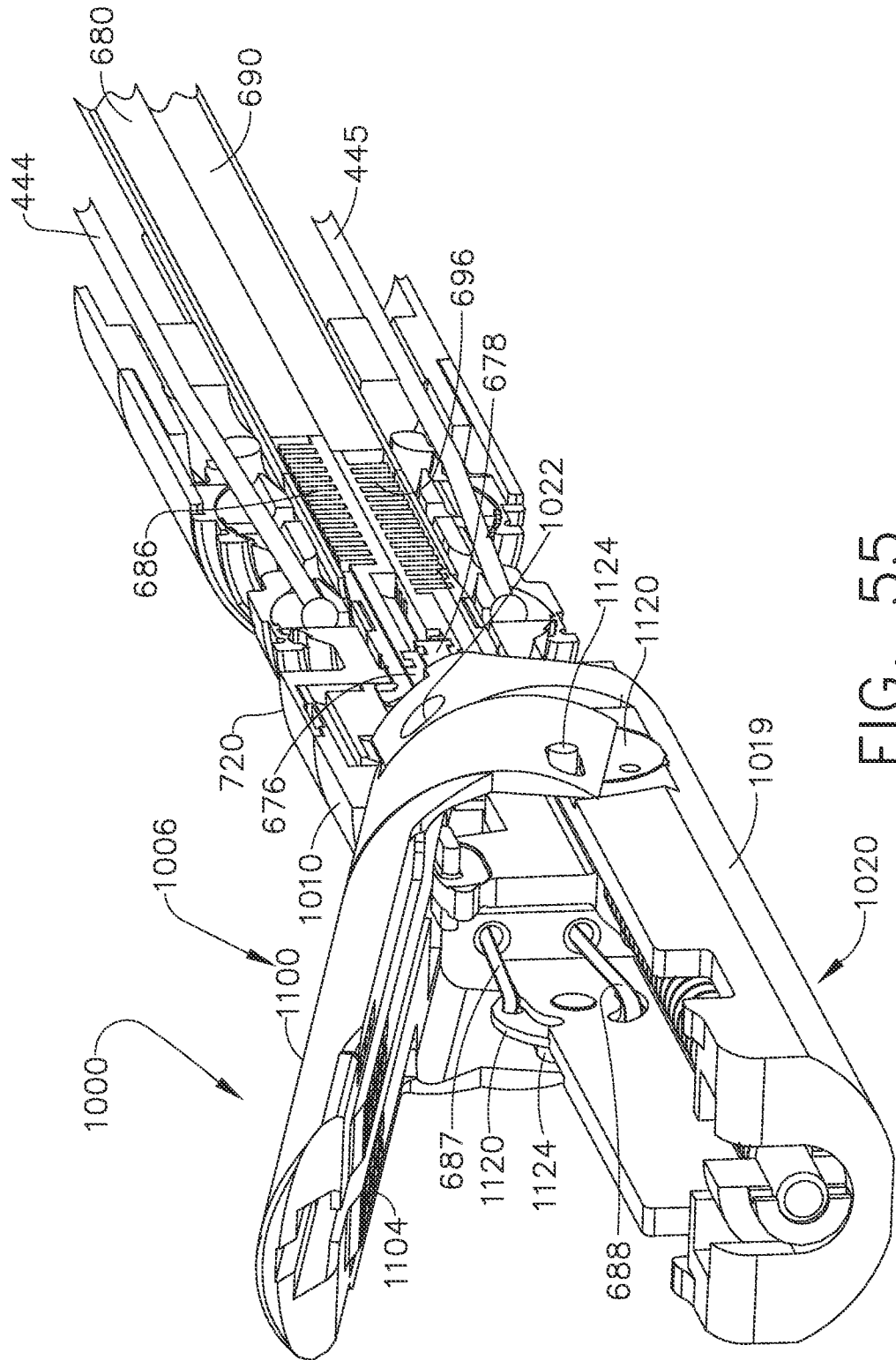


FIG. 55

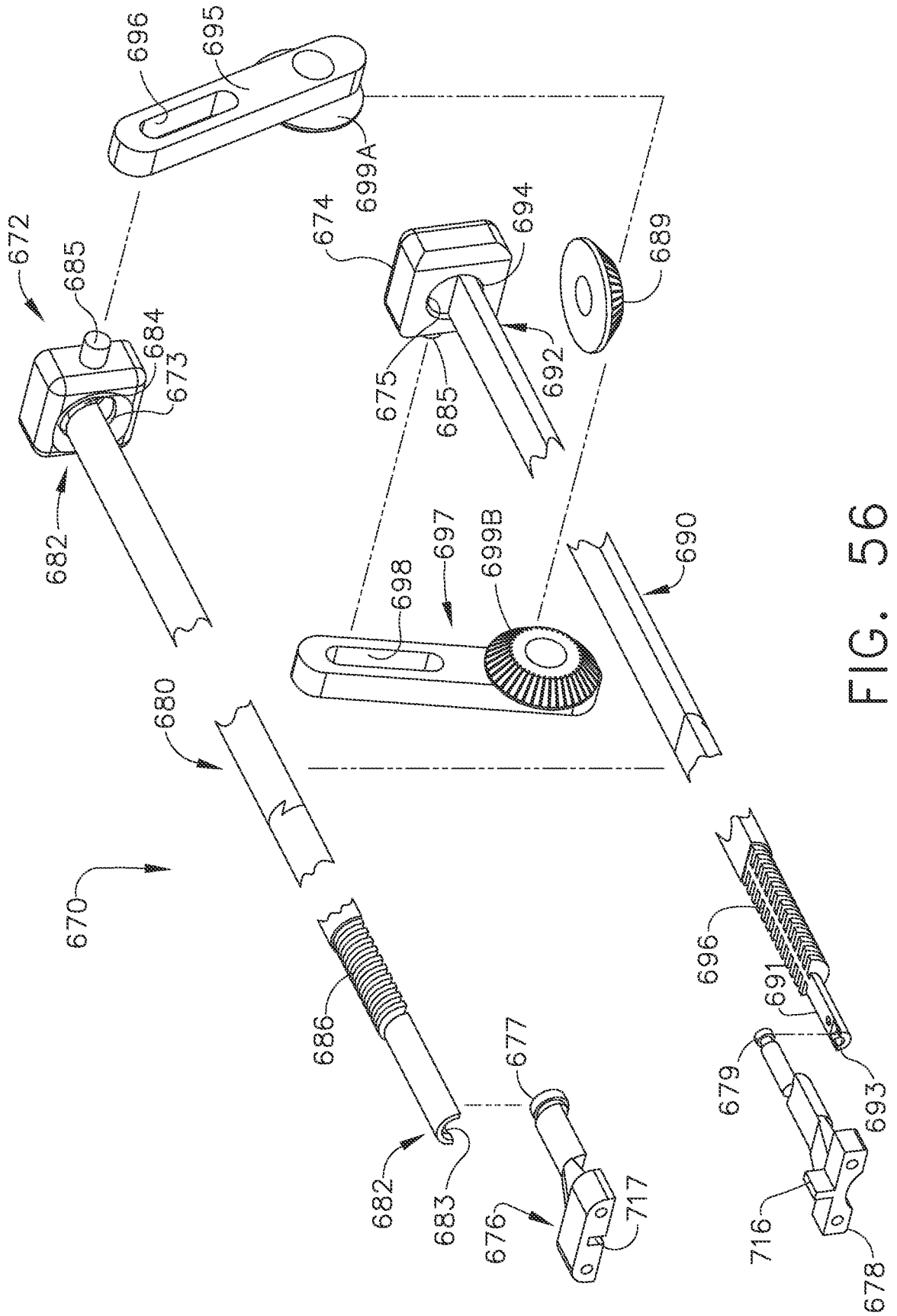


FIG. 56

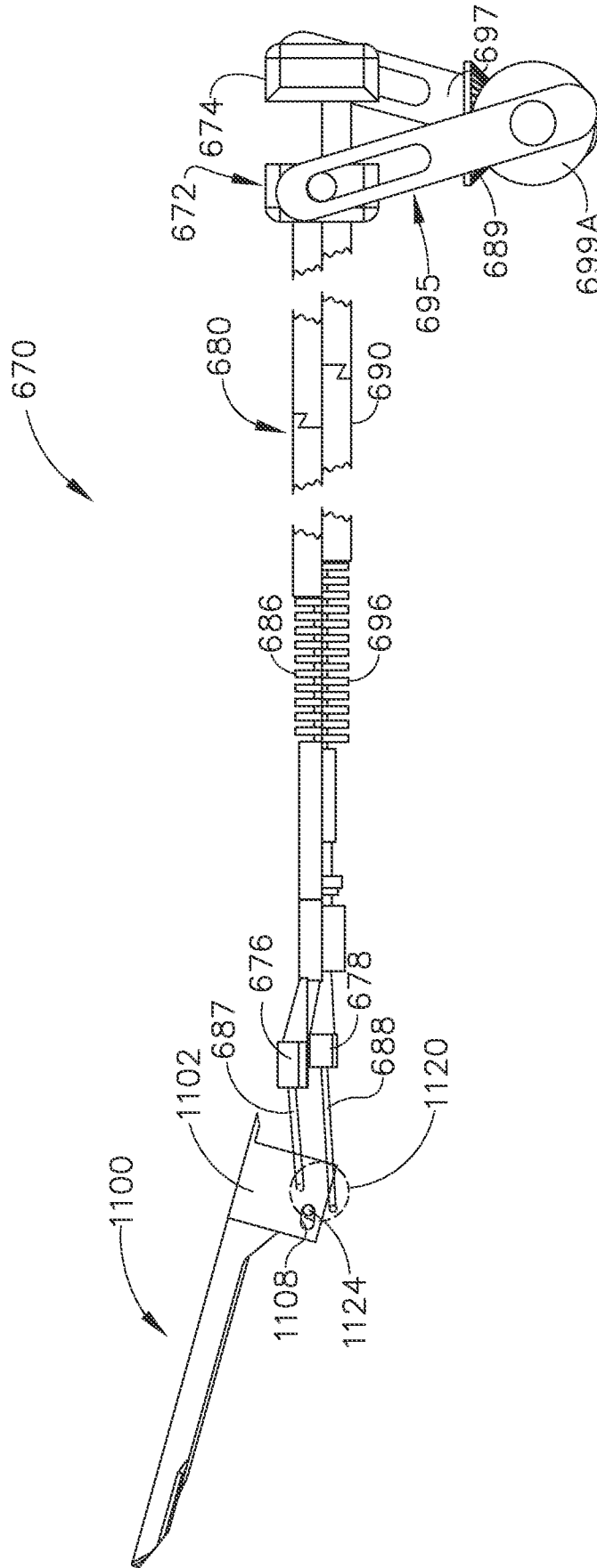


FIG. 57

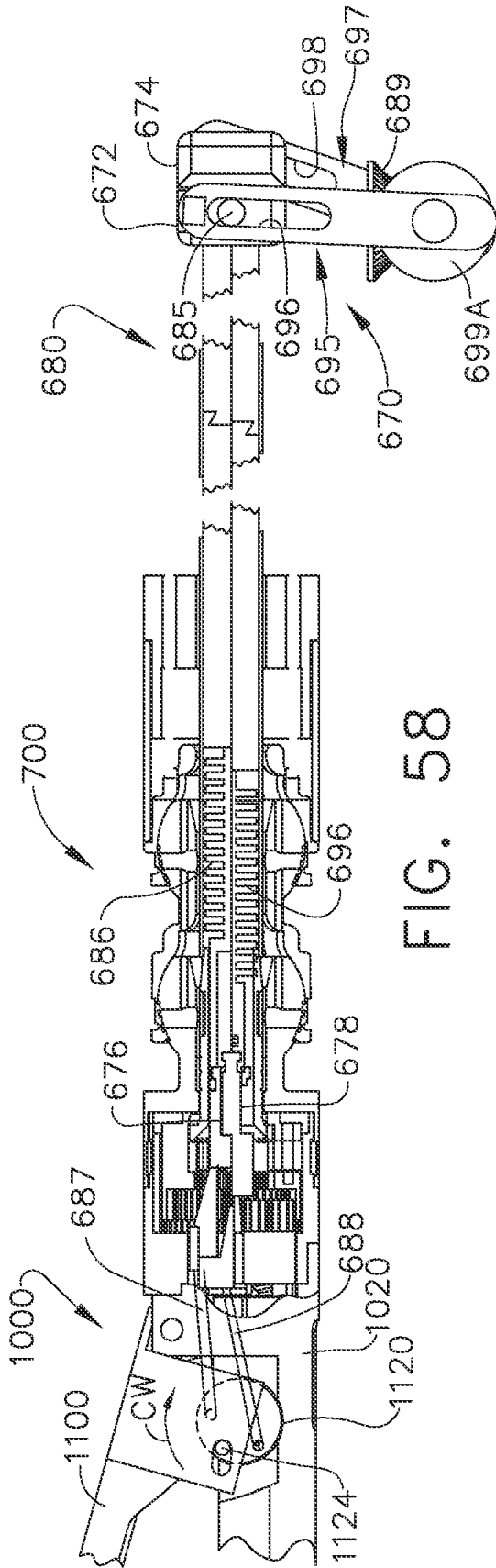


FIG. 58

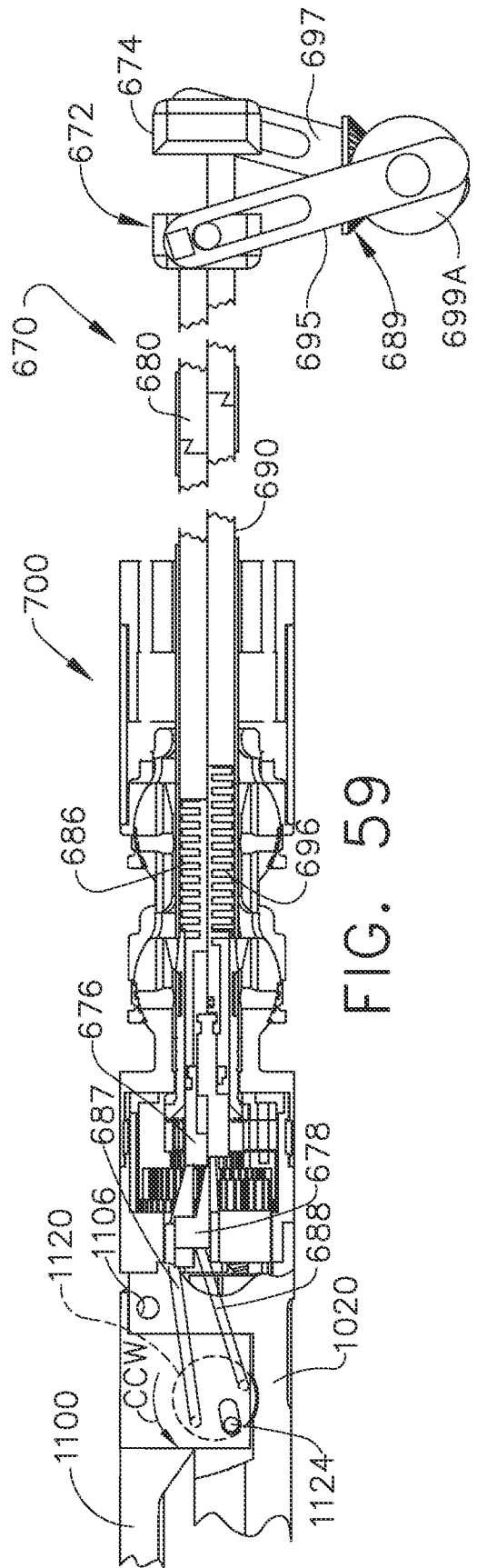


FIG. 59

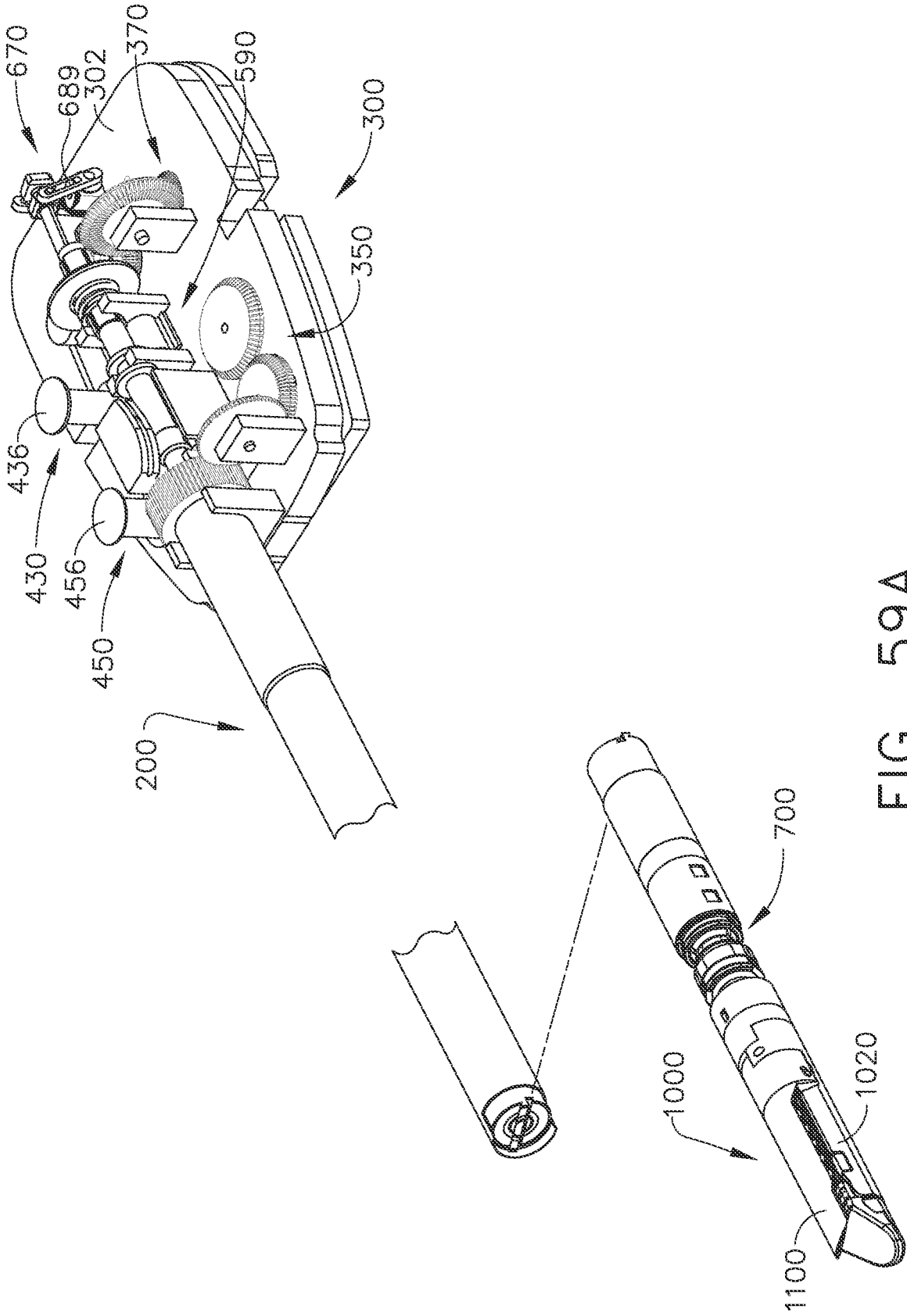


FIG. 59A

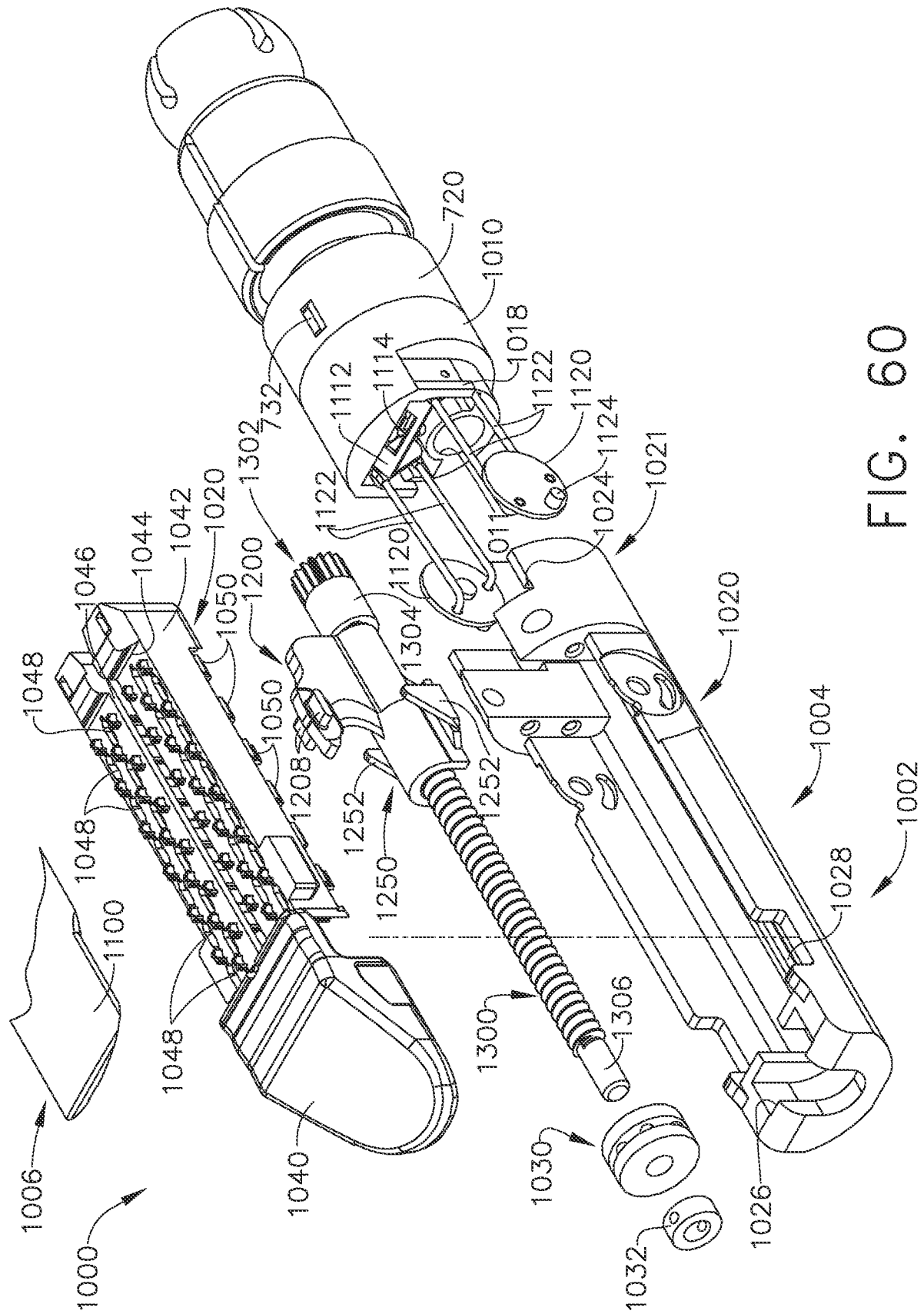


FIG. 60

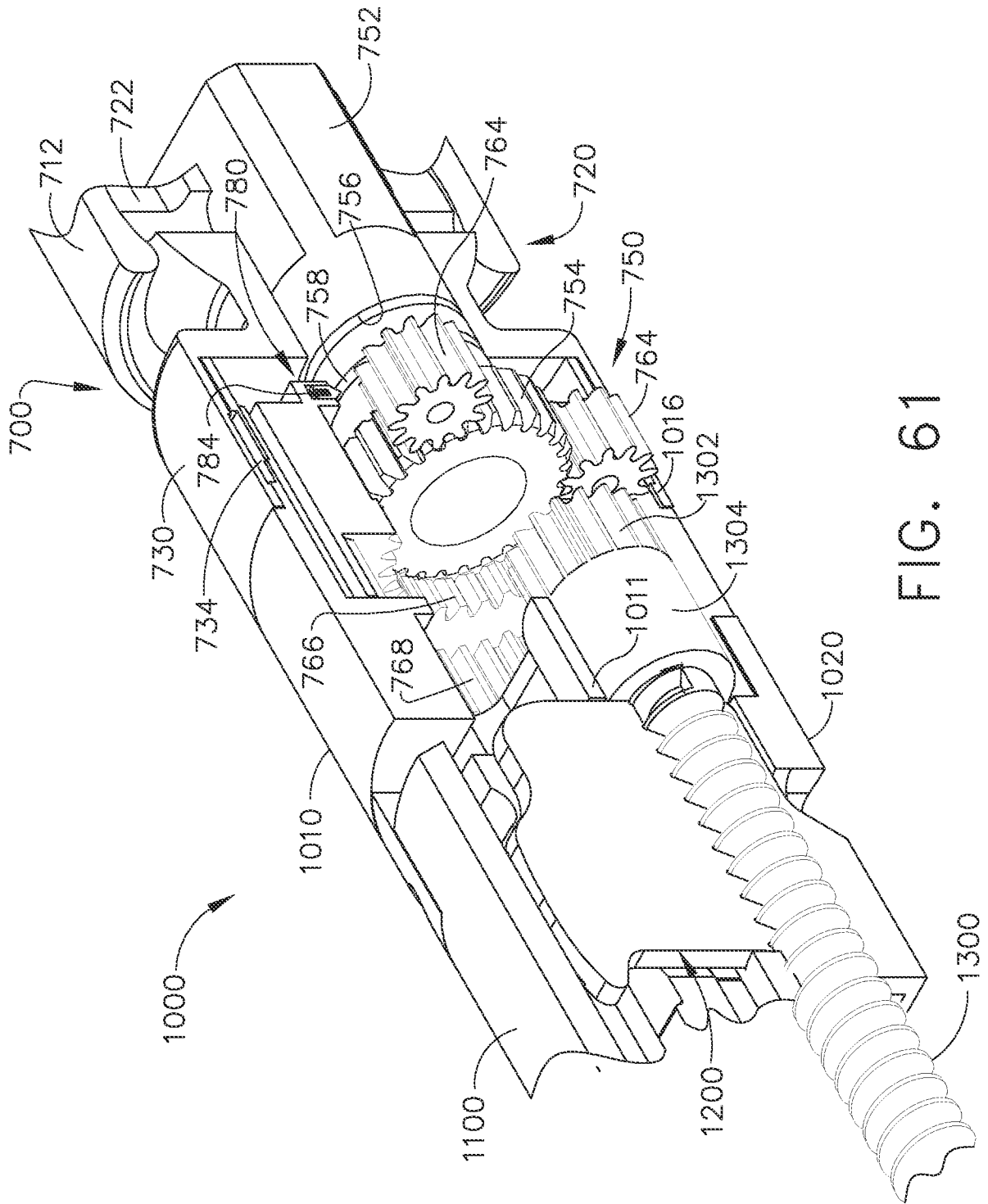


FIG. 61

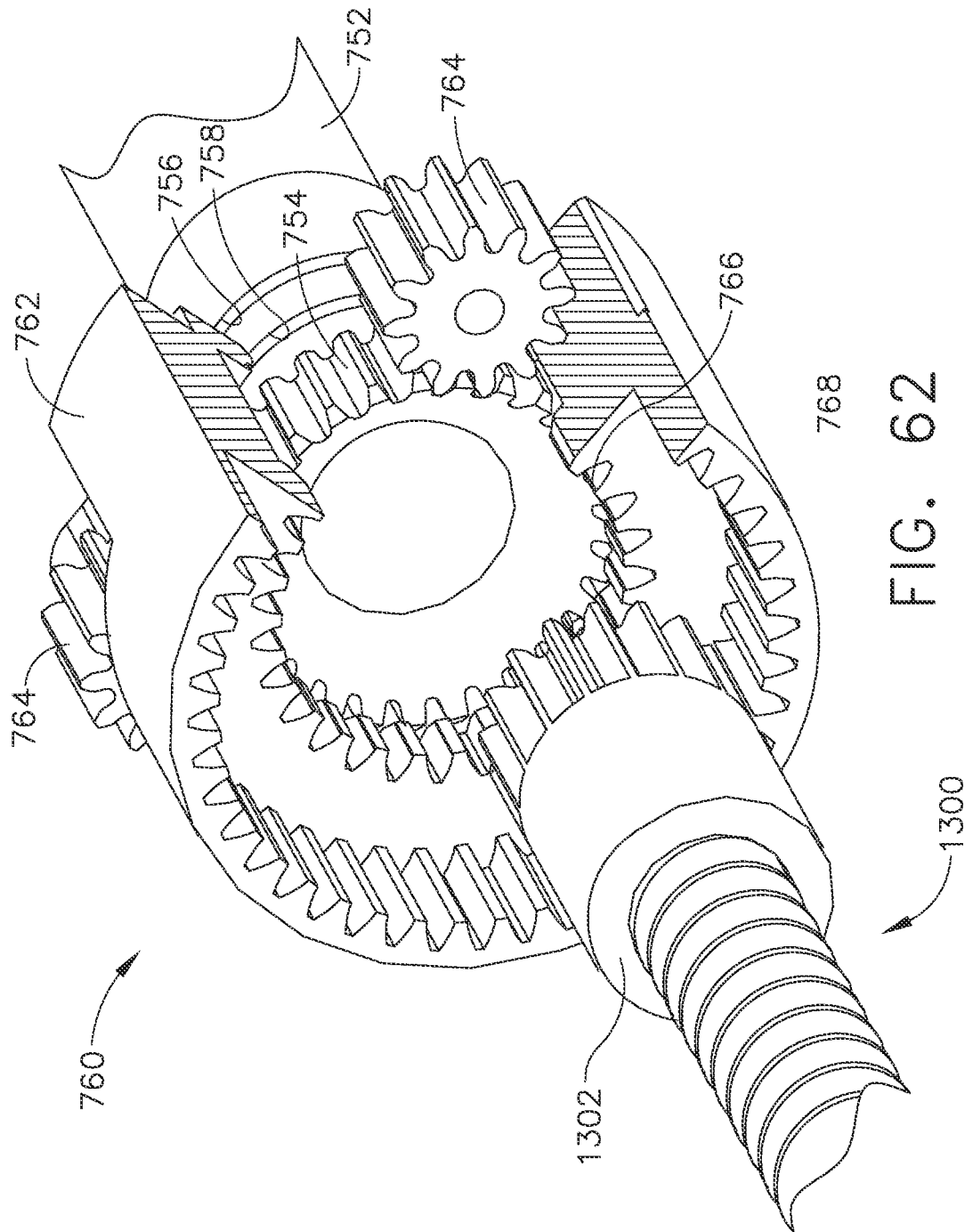


FIG. 62

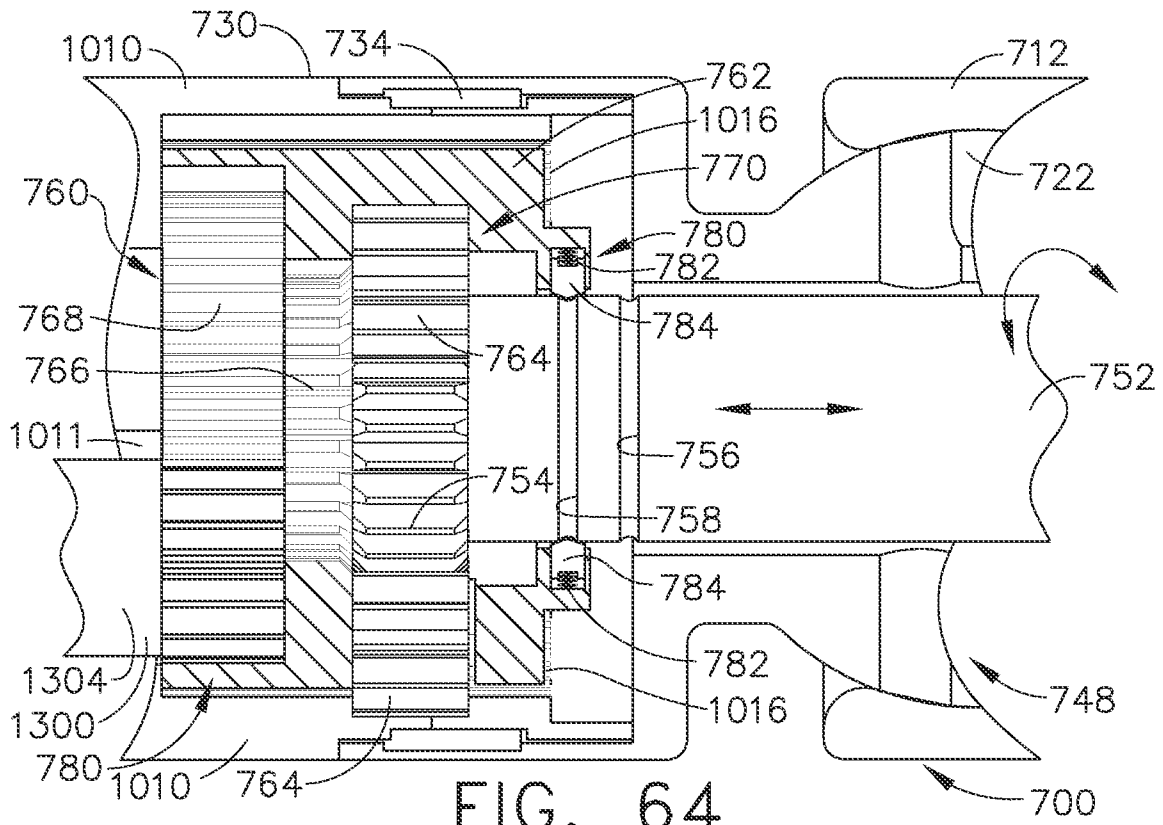


FIG. 64

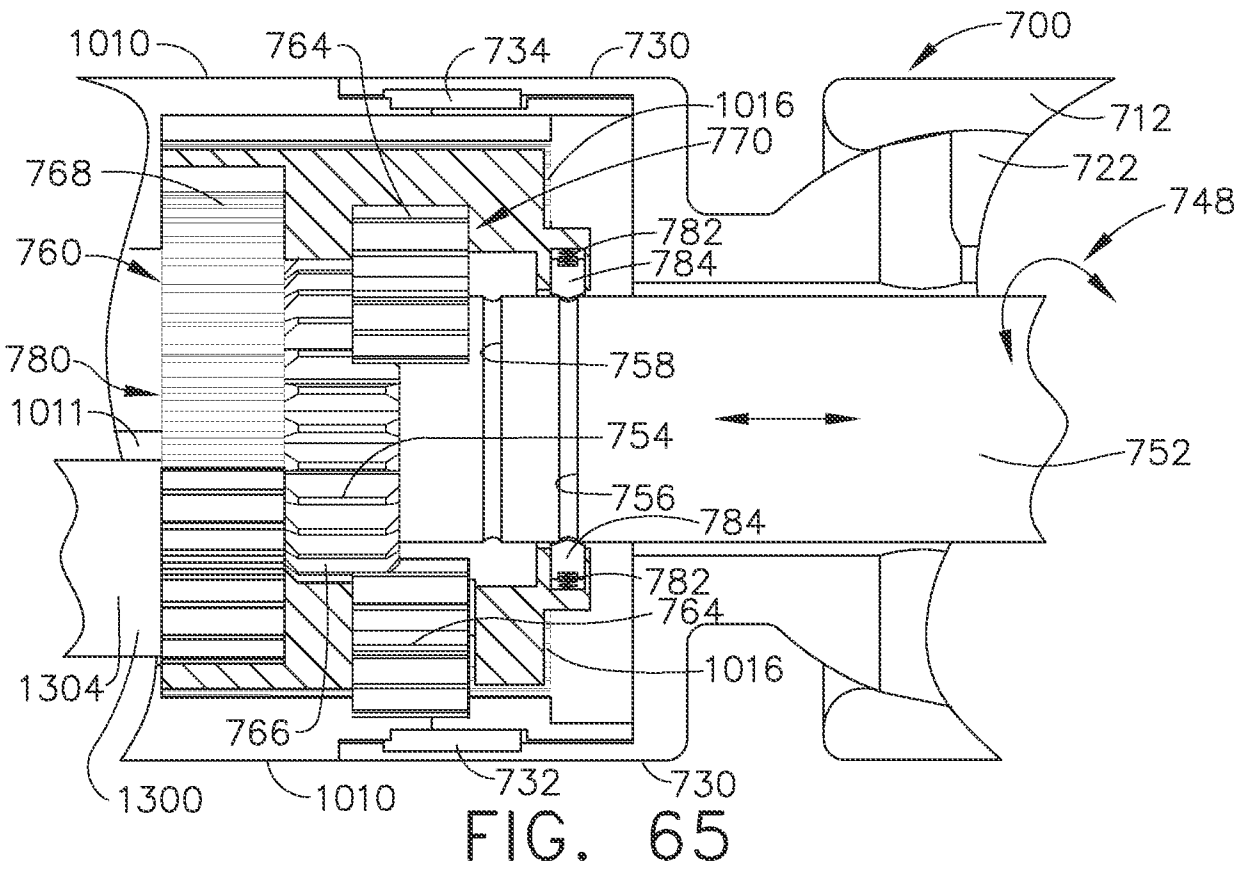


FIG. 65

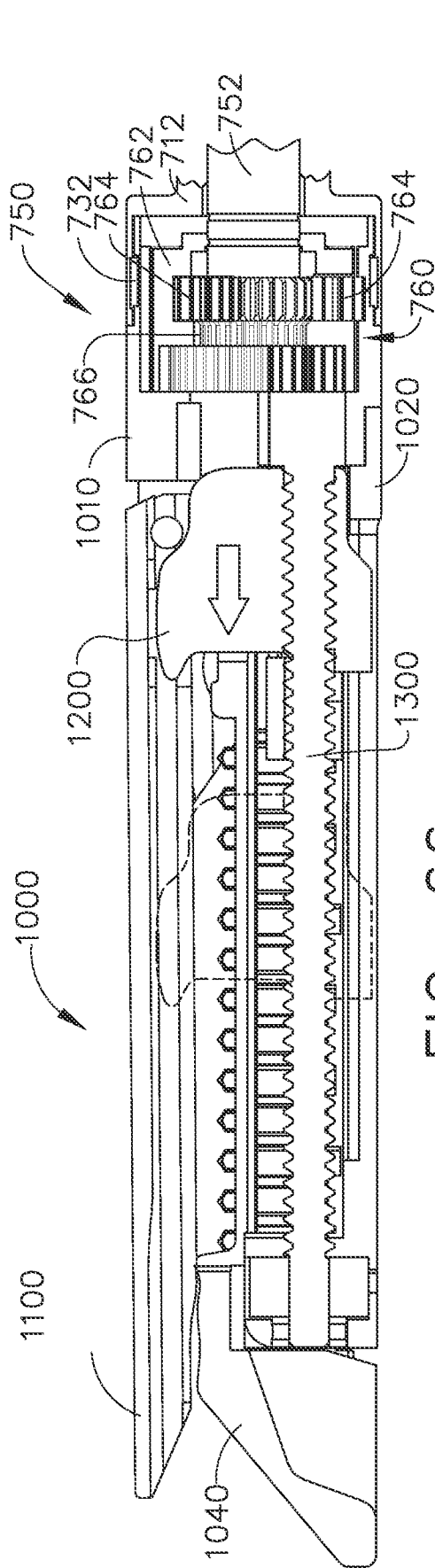


FIG. 66

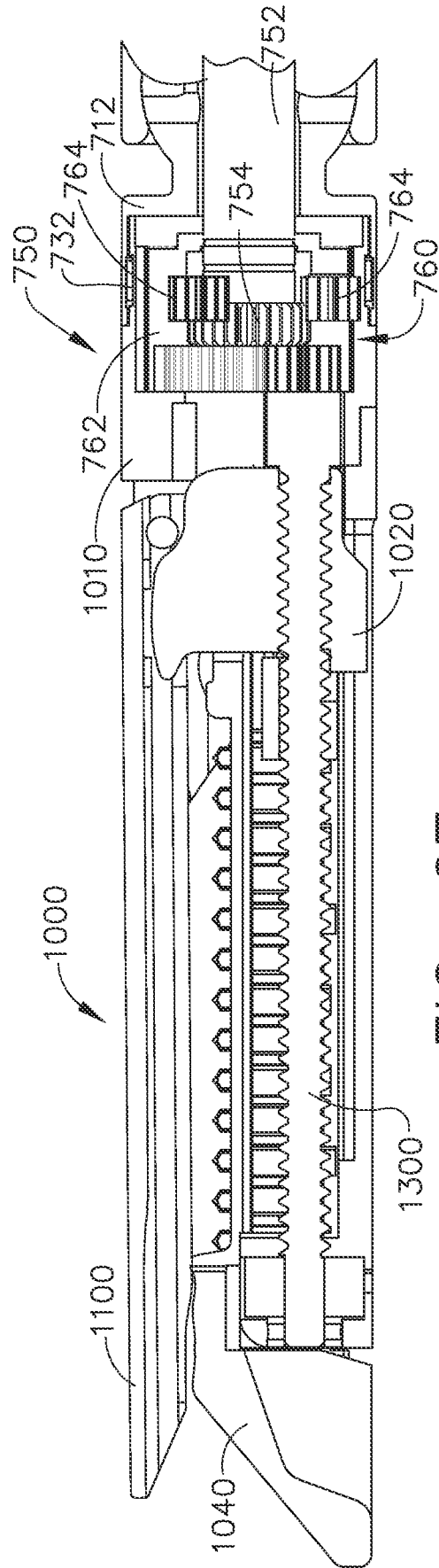


FIG. 67

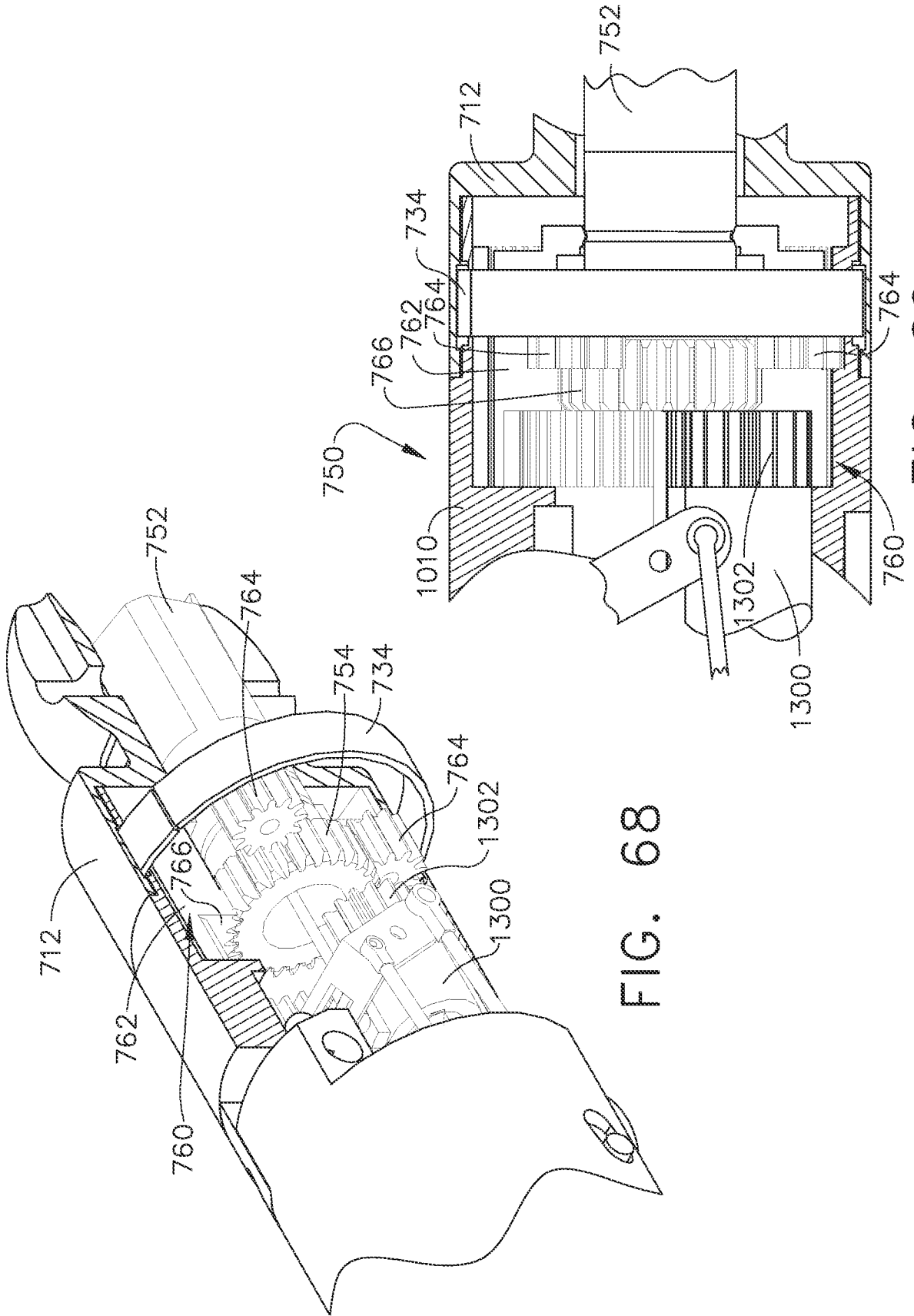


FIG. 68

FIG. 69

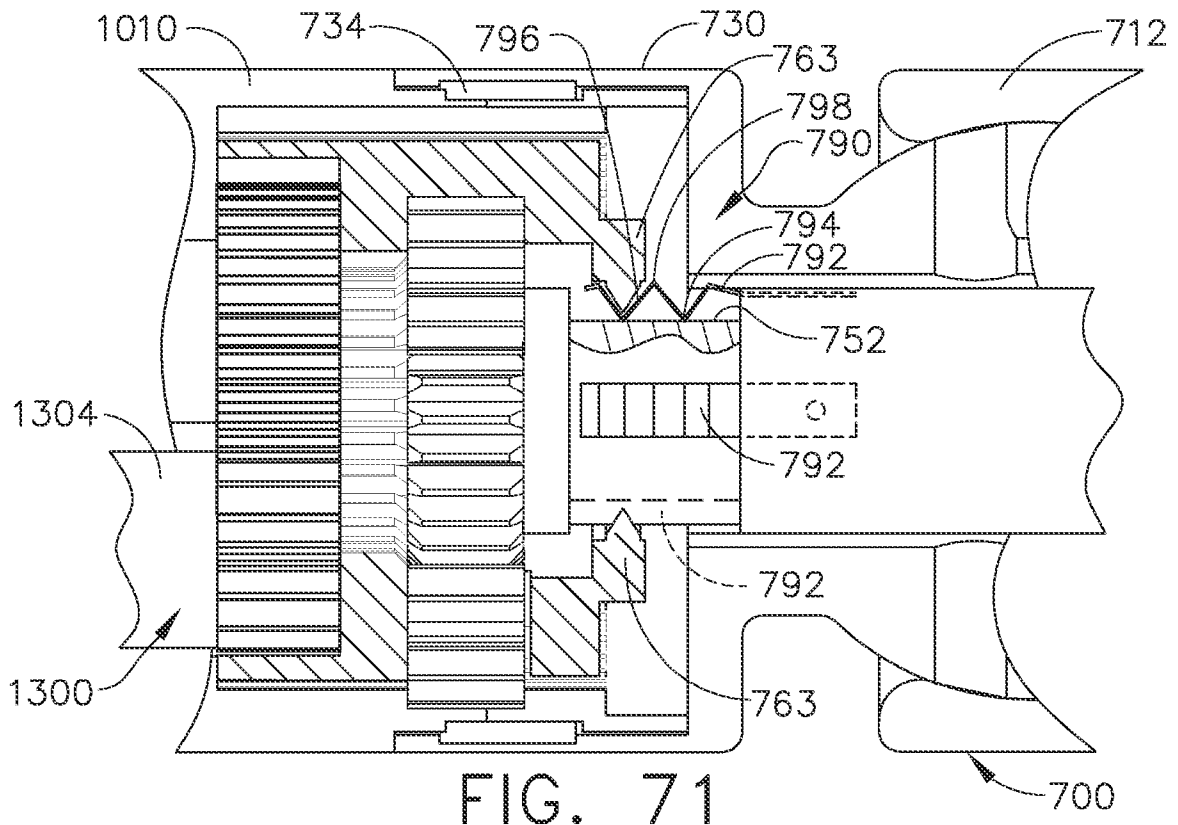


FIG. 71

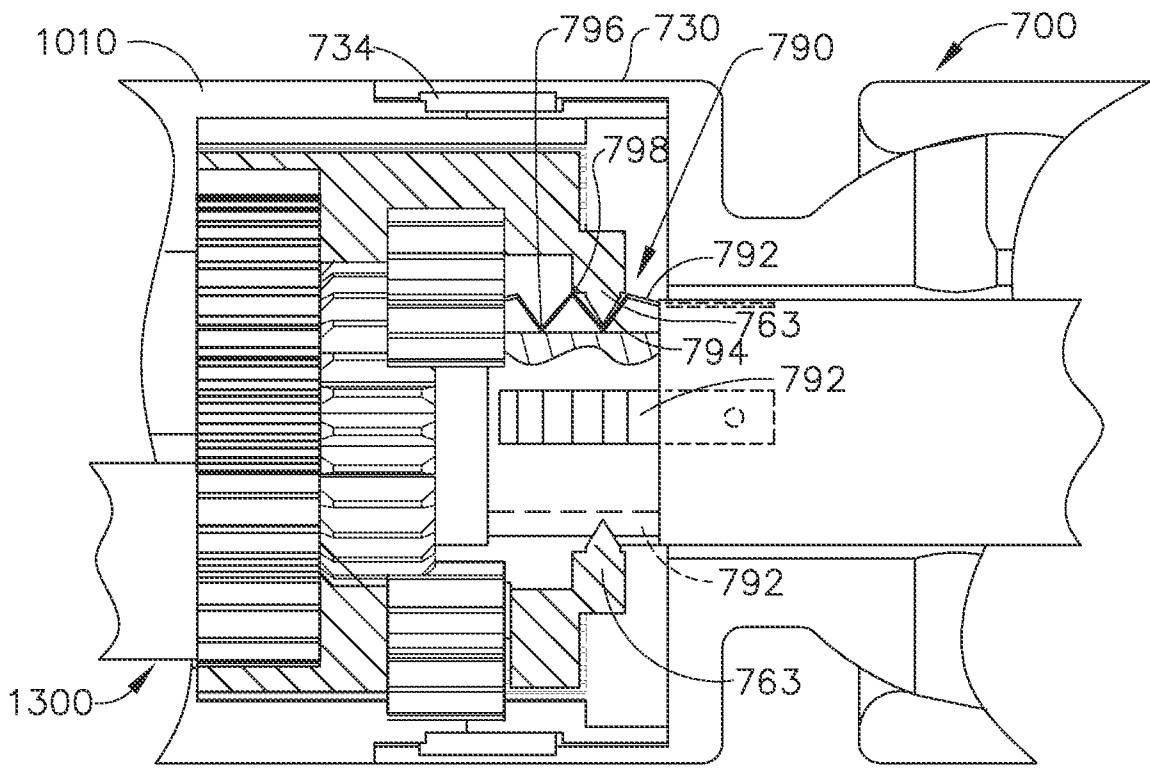


FIG. 70

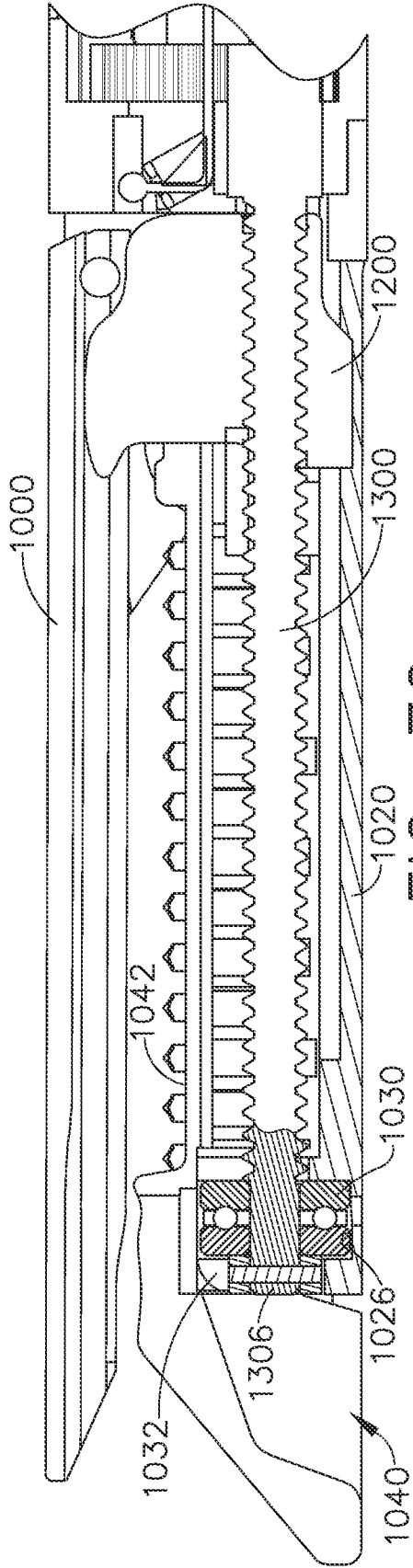


FIG. 72

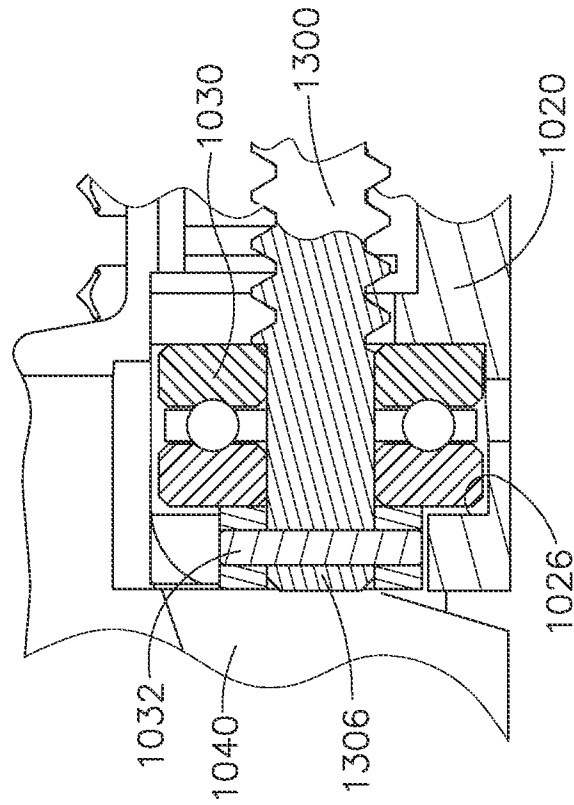


FIG. 73

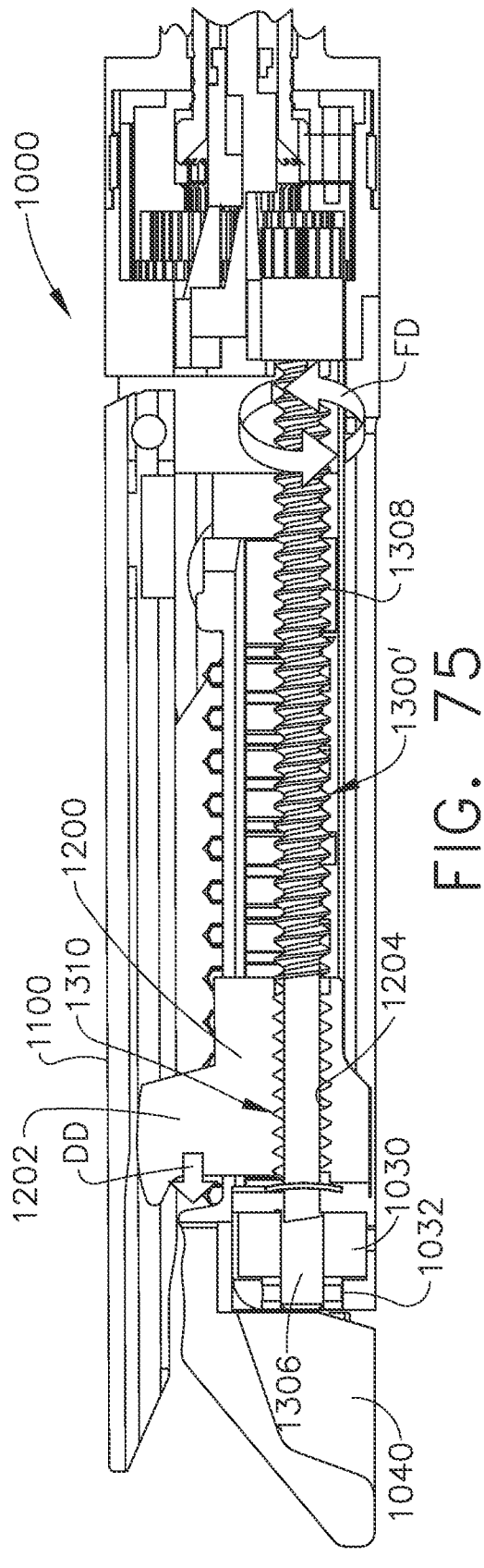
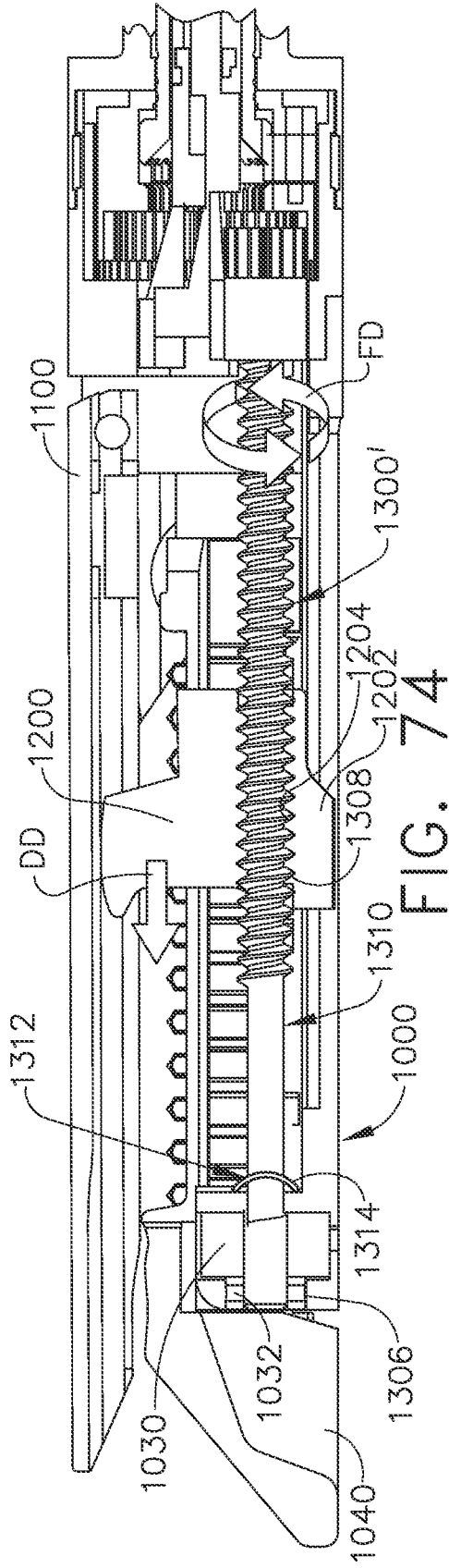


FIG. 74

FIG. 75

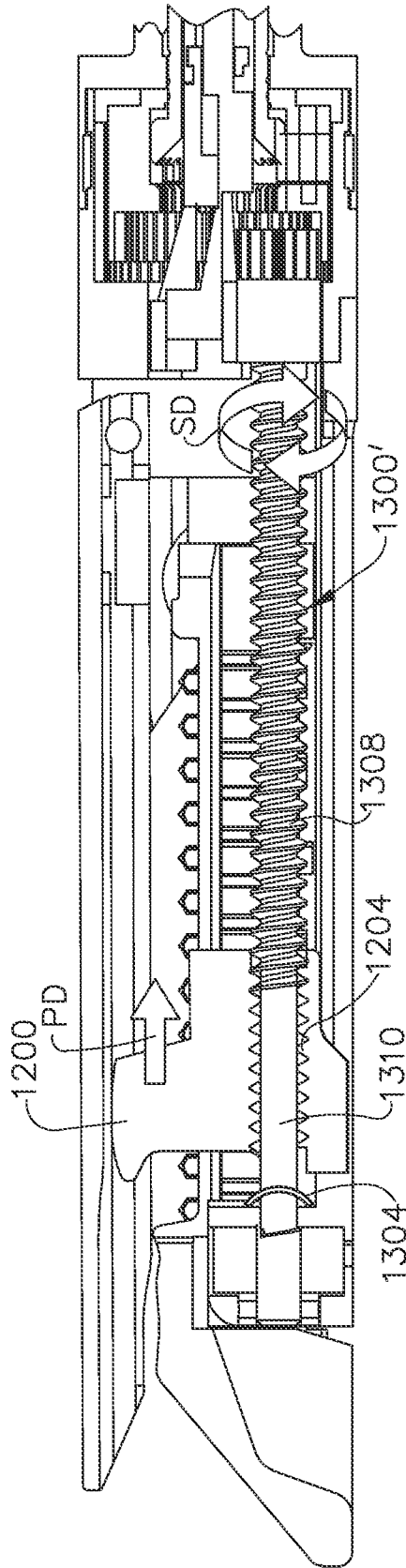


FIG. 76

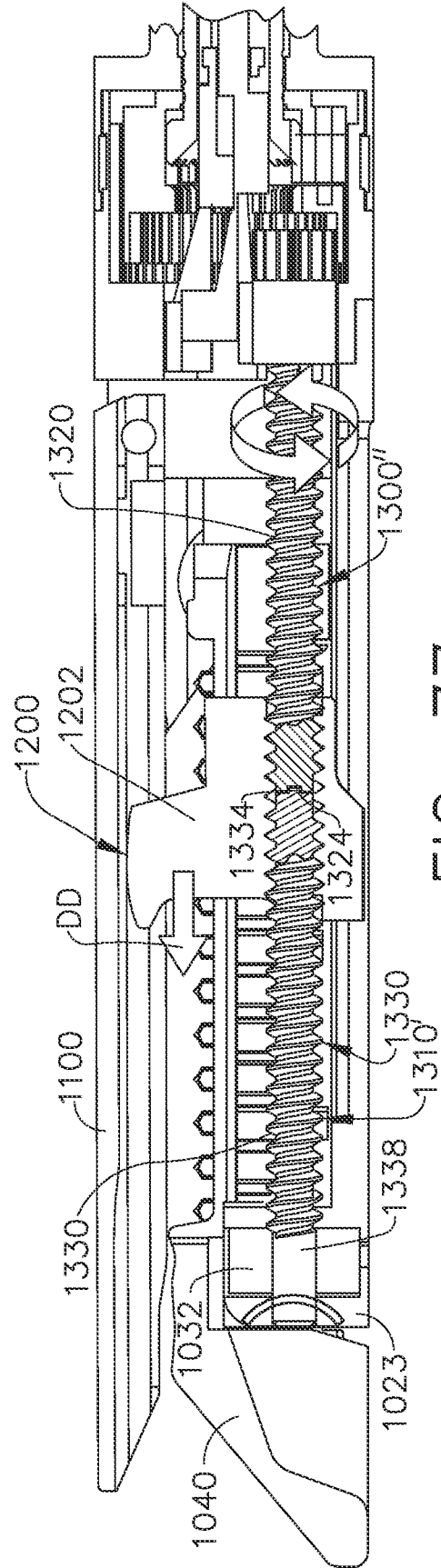
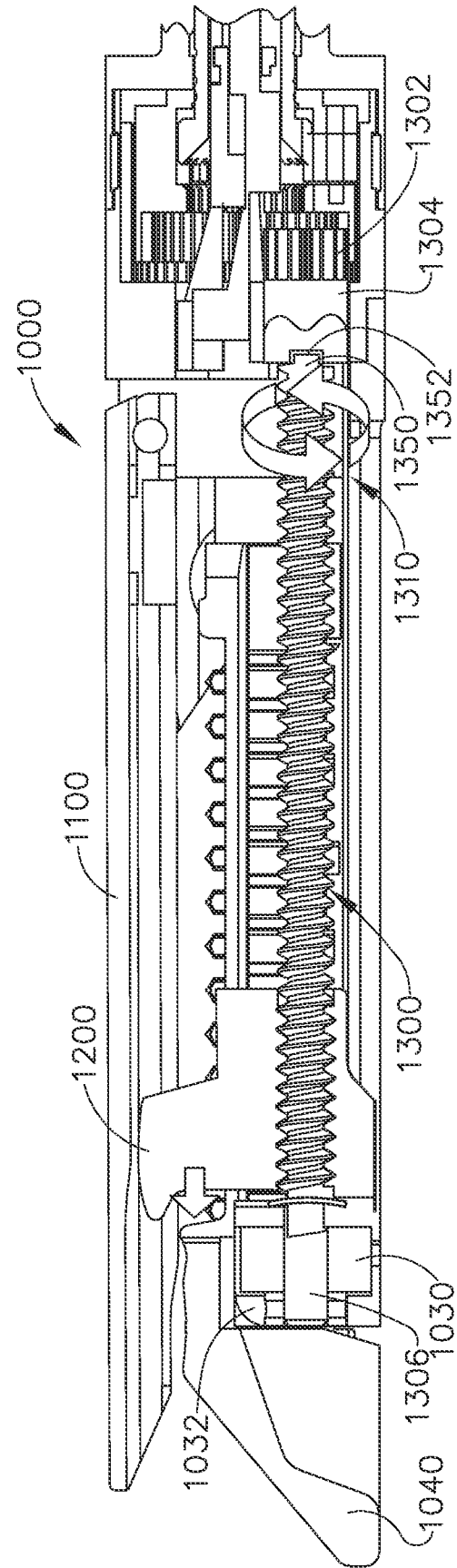
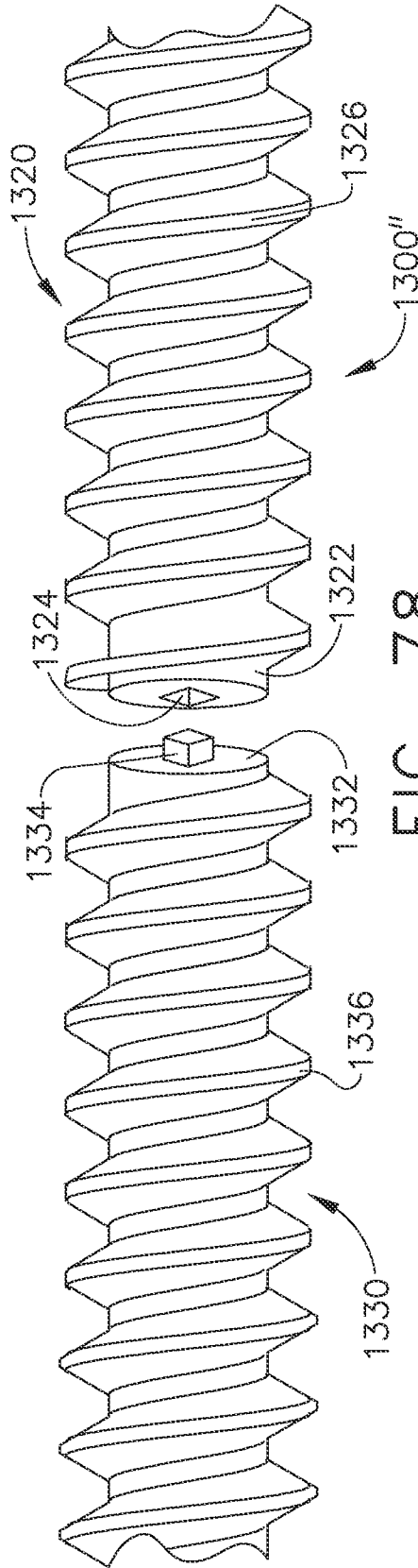


FIG. 77



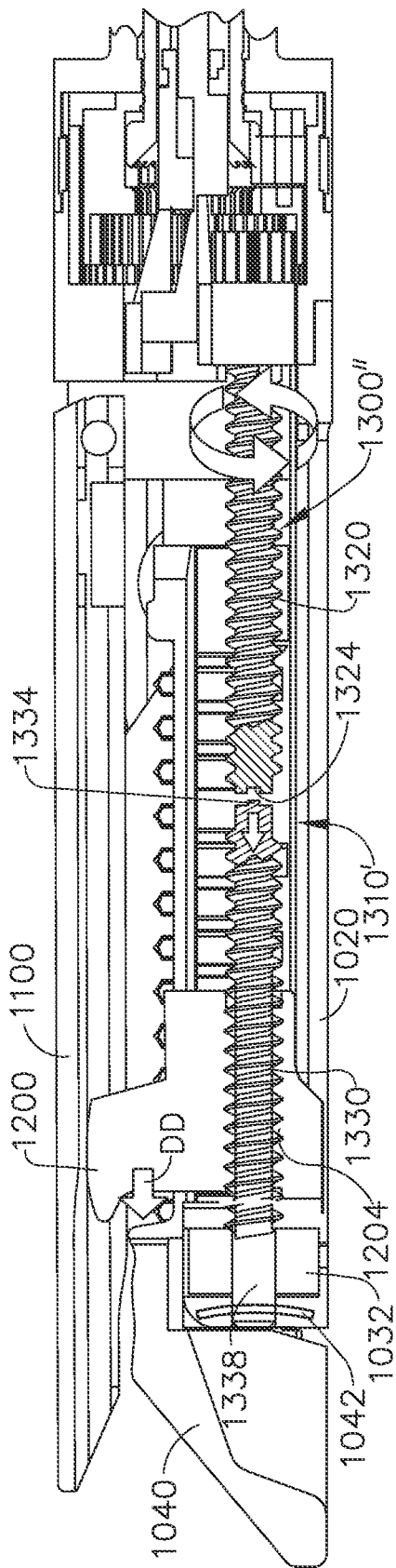


FIG. 79

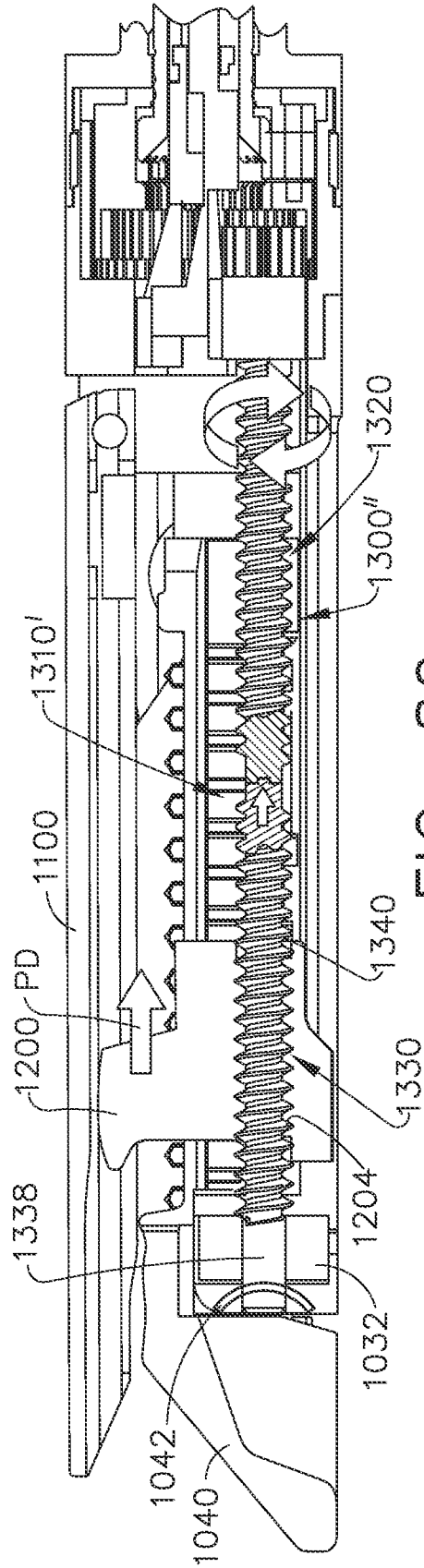


FIG. 80

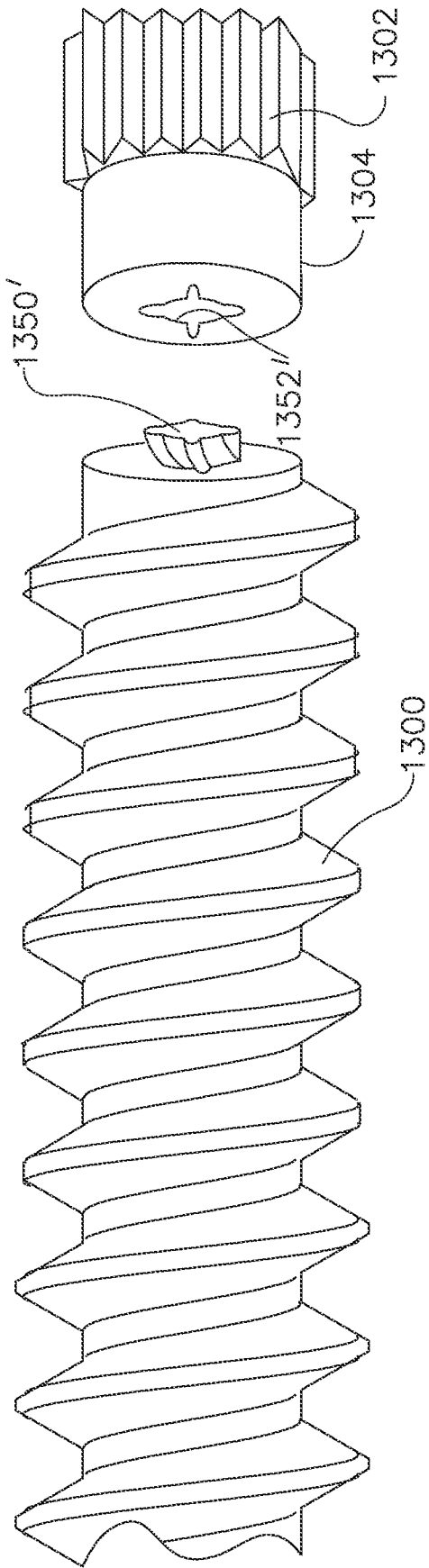


FIG. 81A

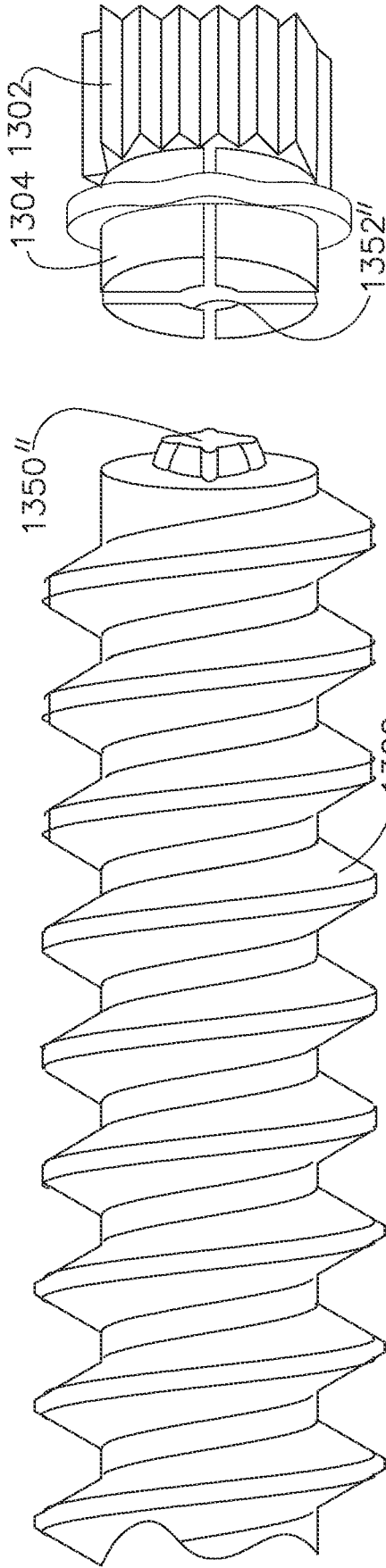


FIG. 81B

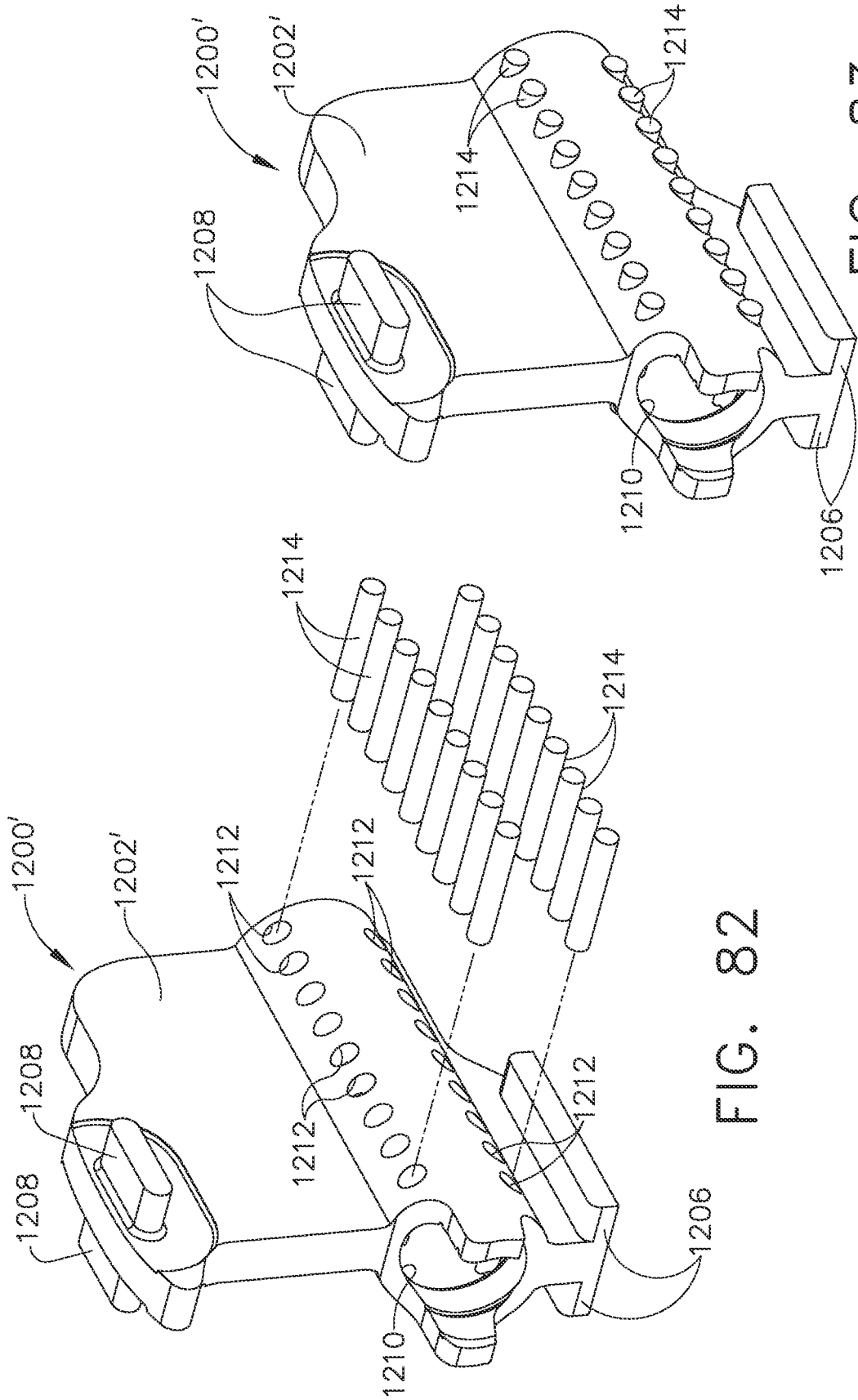


FIG. 82

FIG. 83

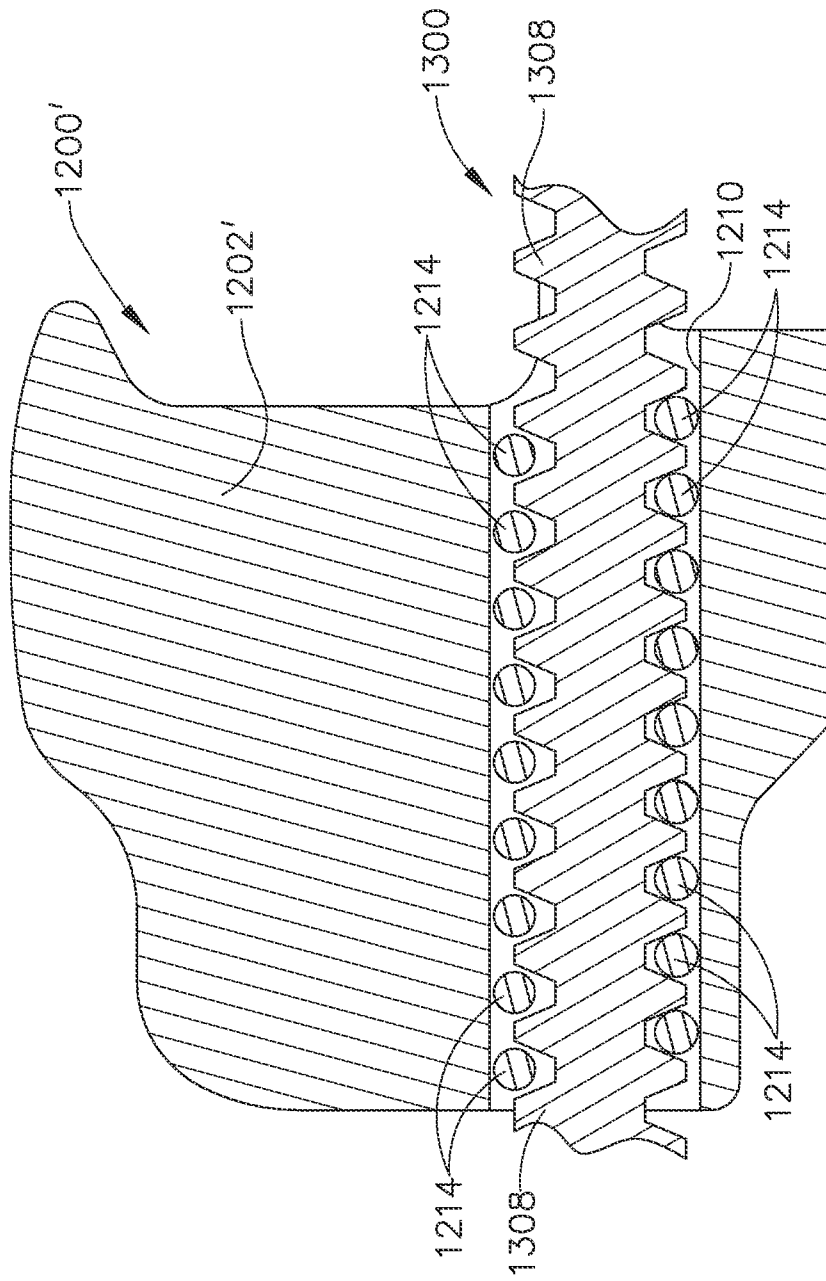
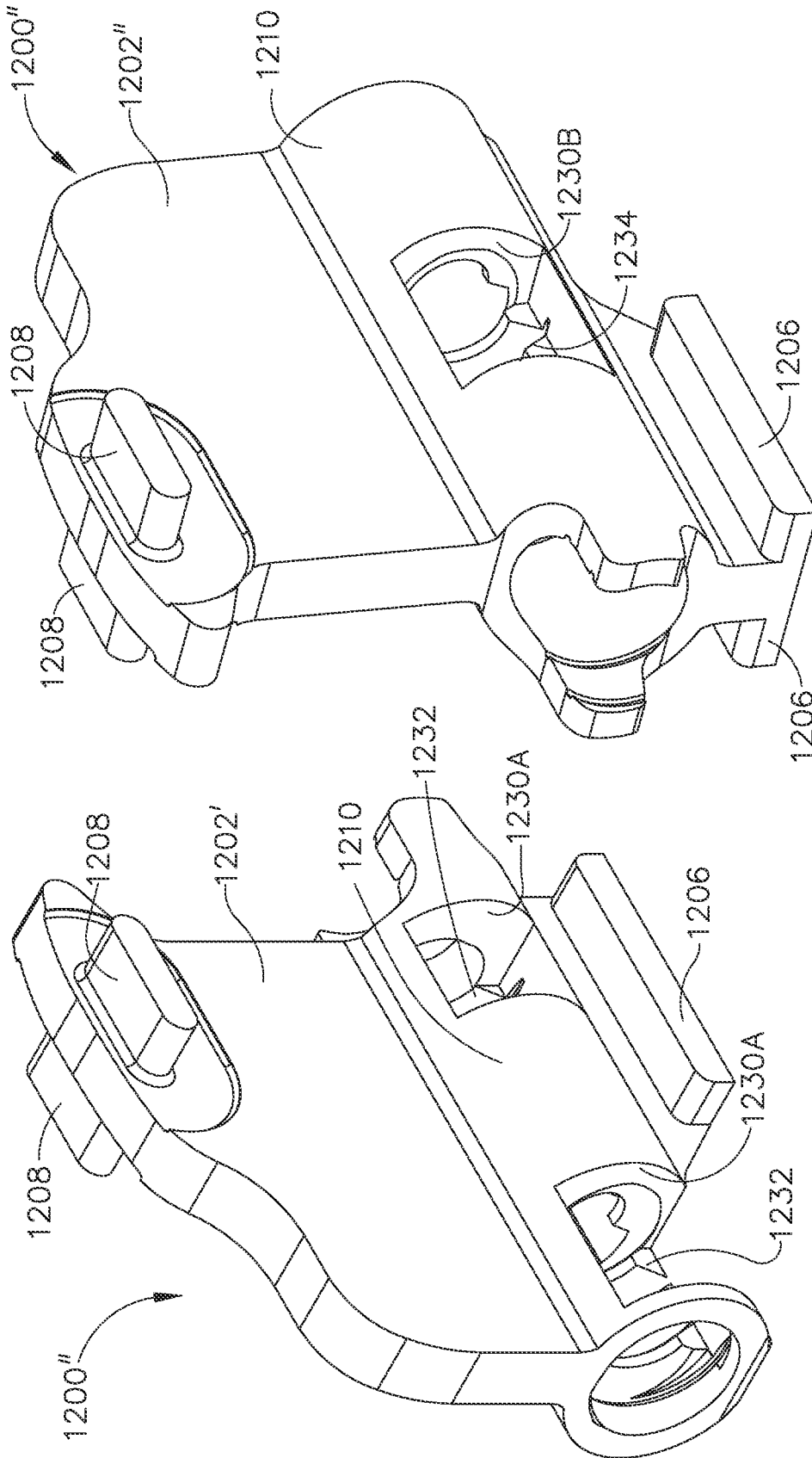


FIG. 84



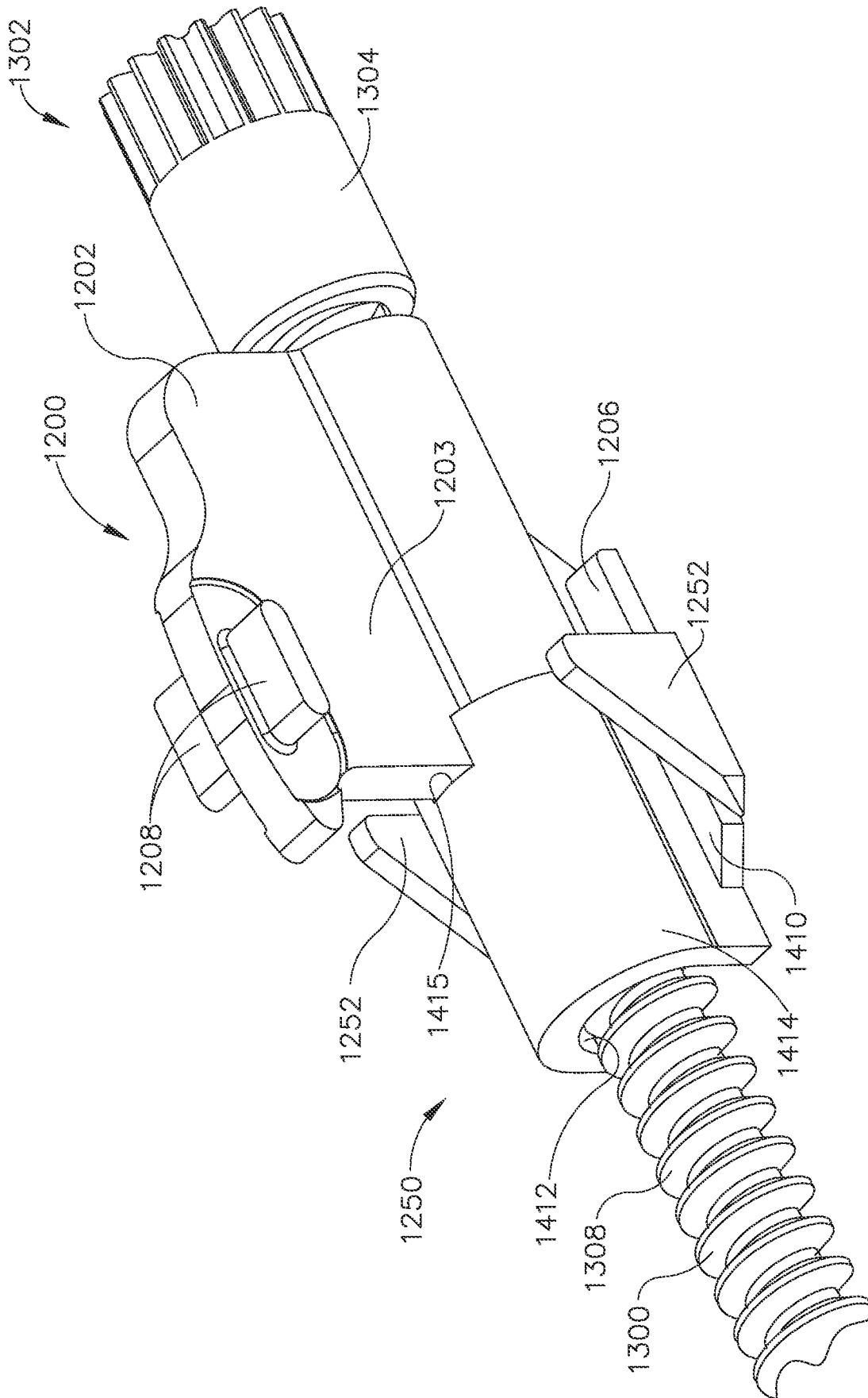


FIG. 88

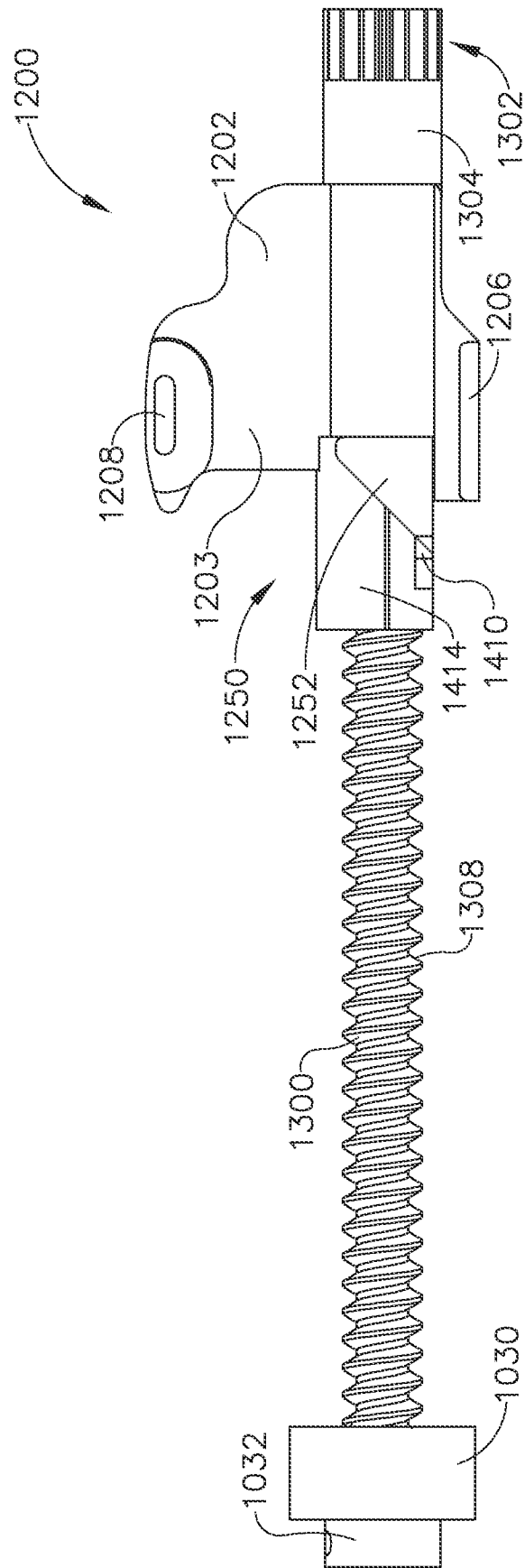


FIG. 89

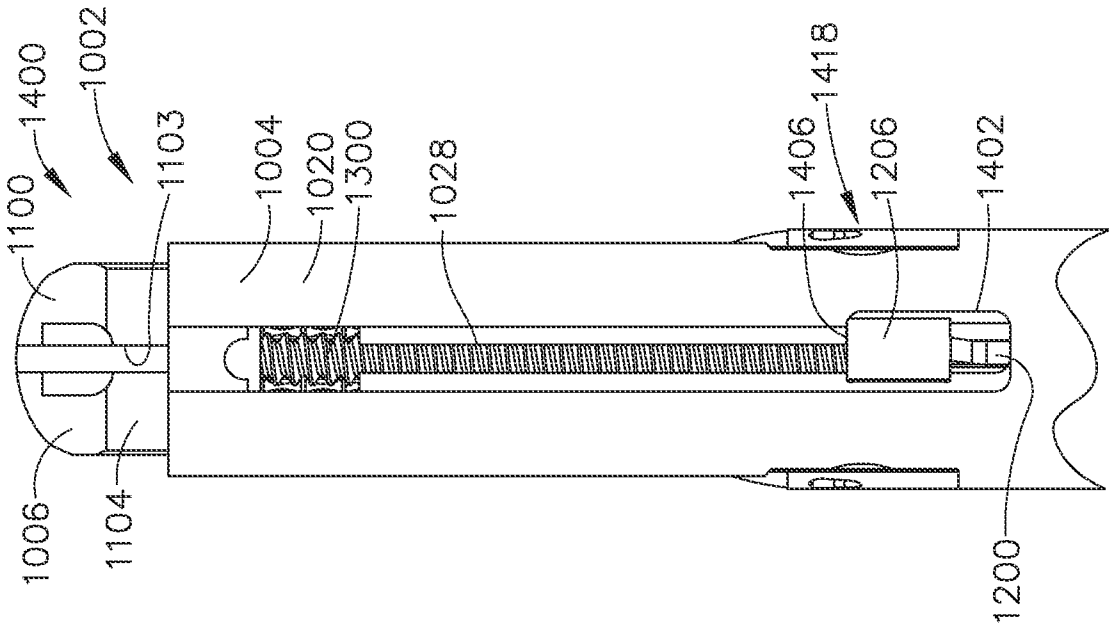


FIG. 91

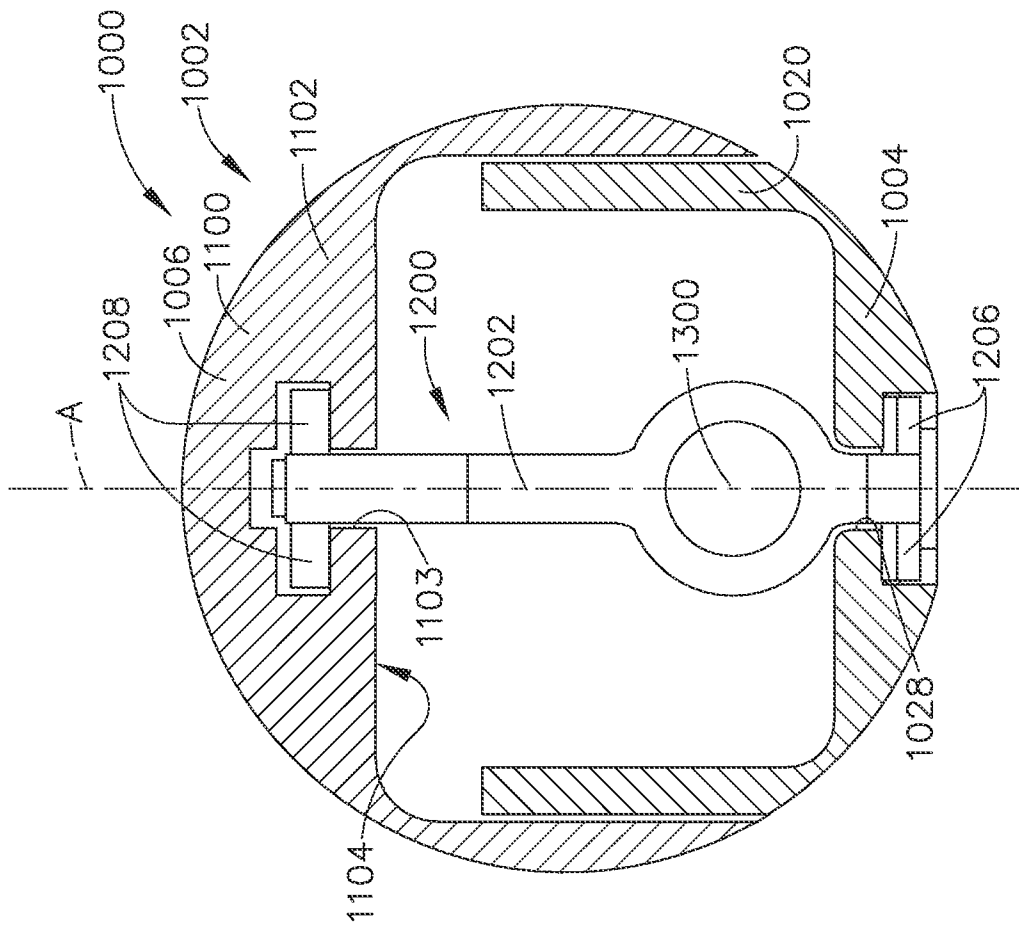


FIG. 90

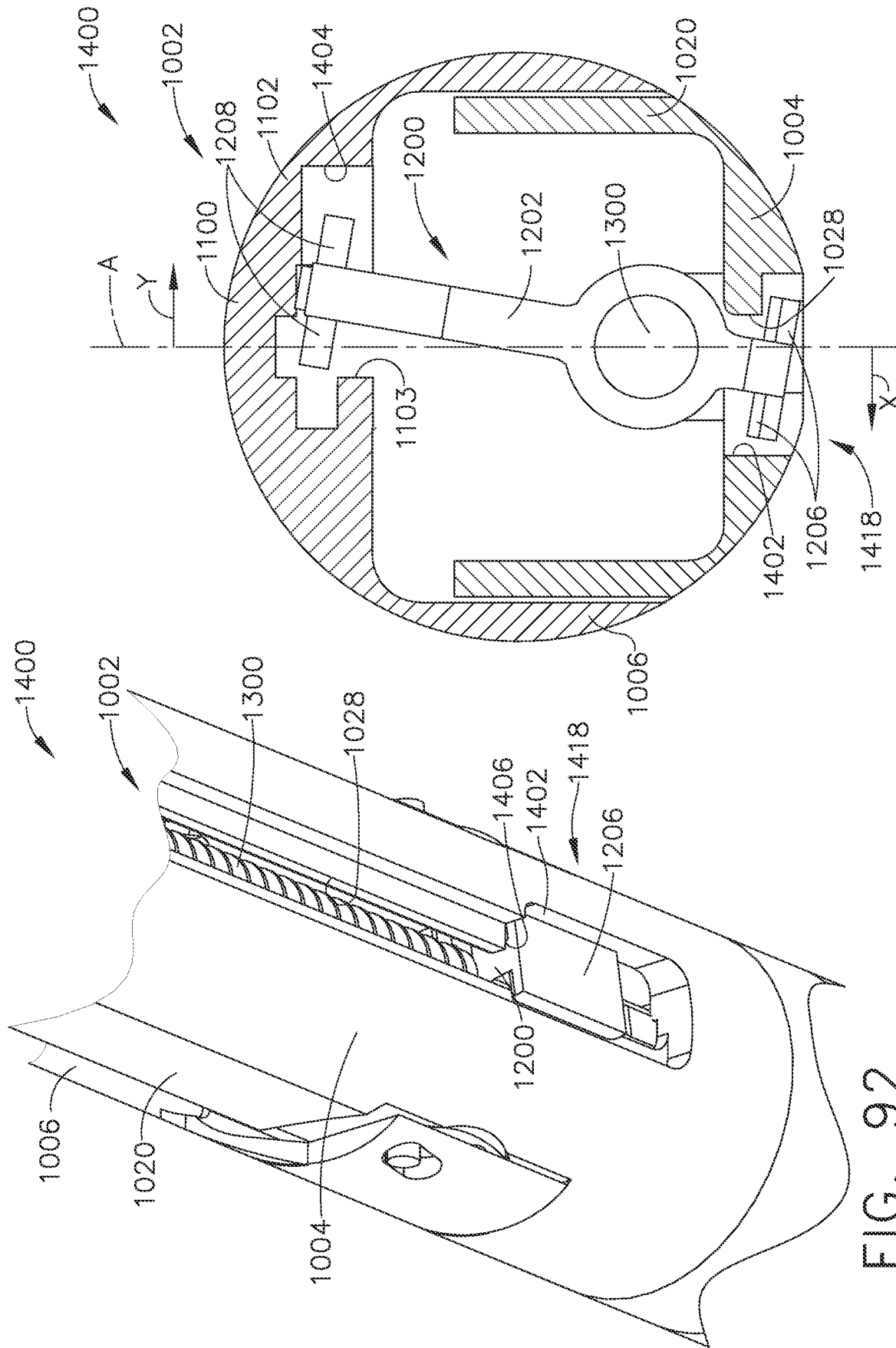
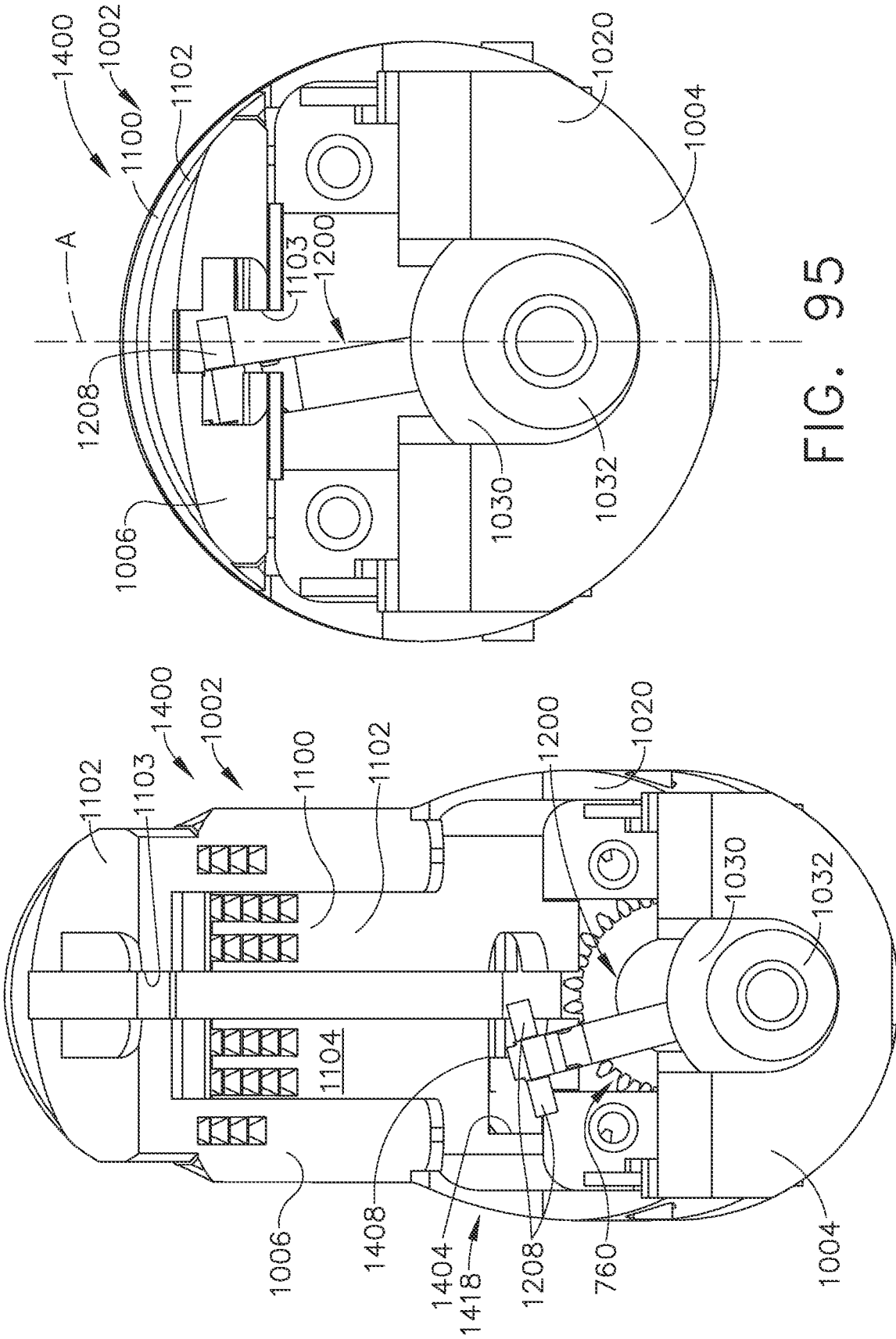


FIG. 93

FIG. 92



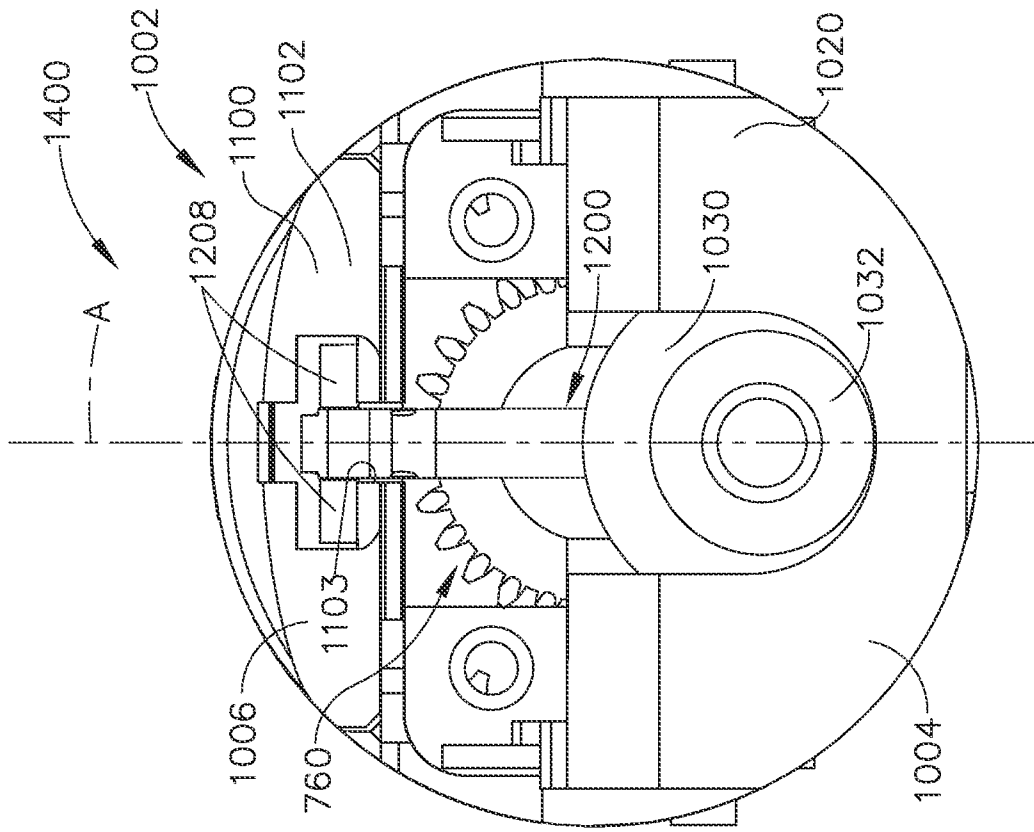


FIG. 96

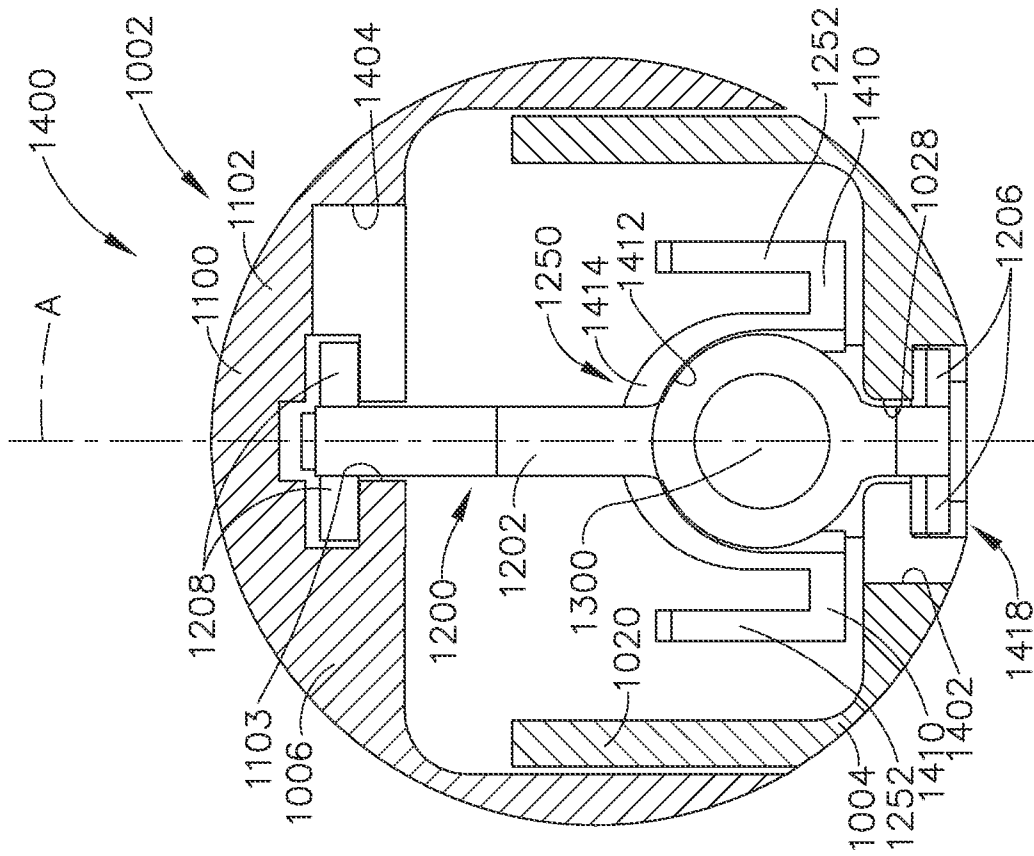


FIG. 97

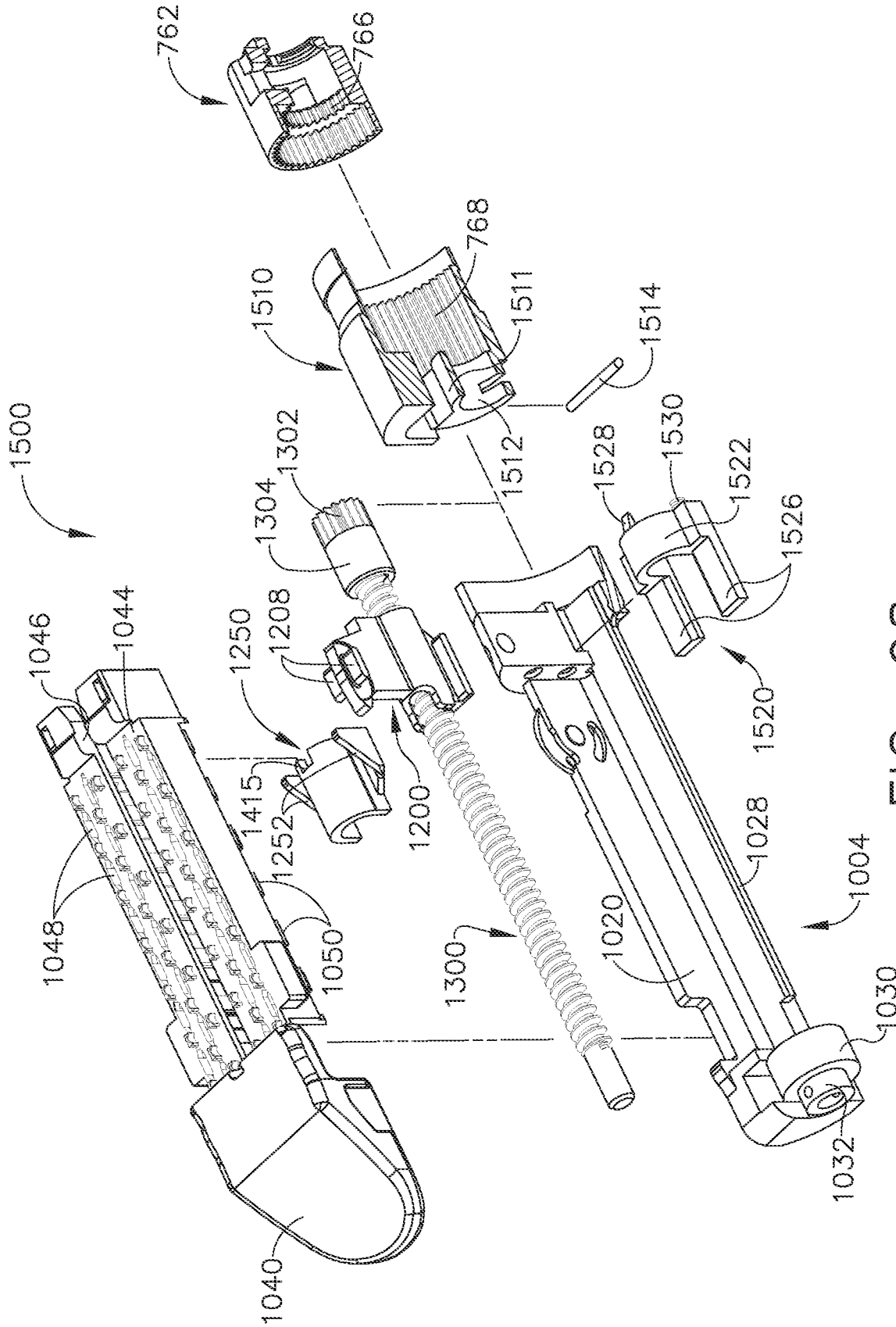


FIG. 98

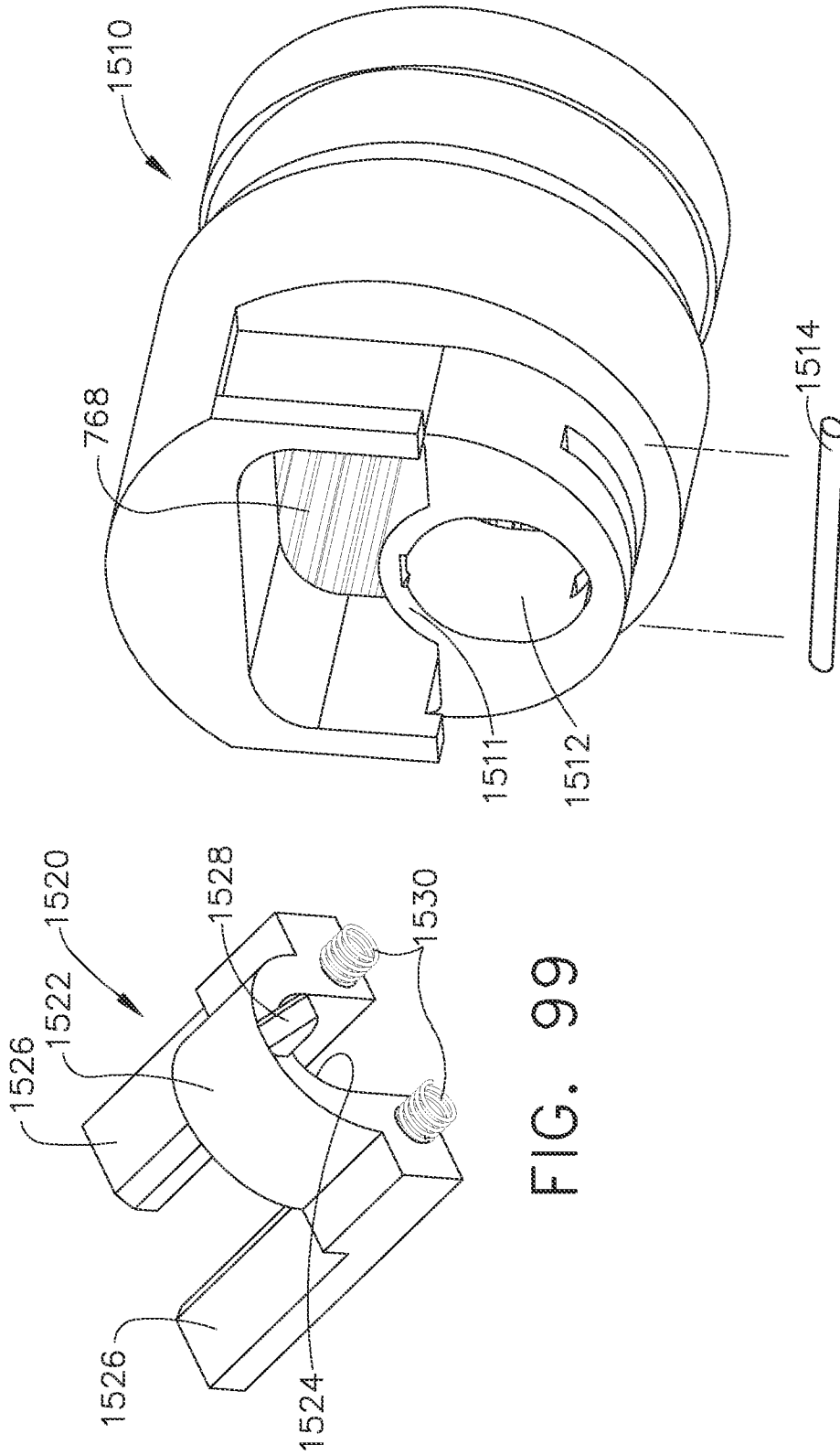
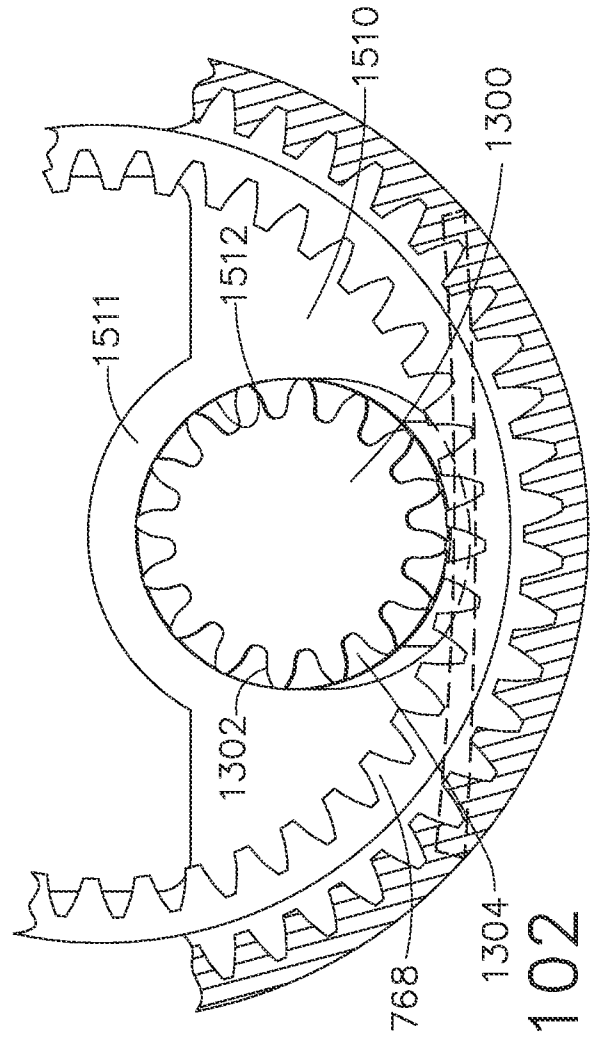
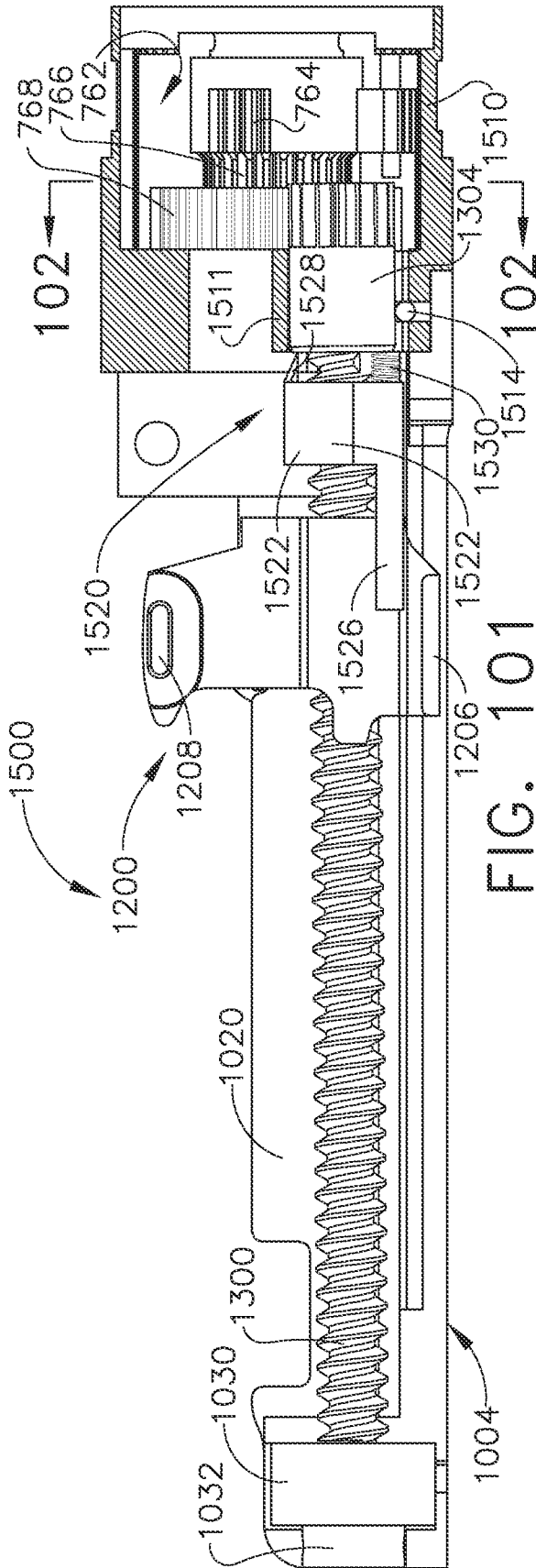


FIG. 100

FIG. 99



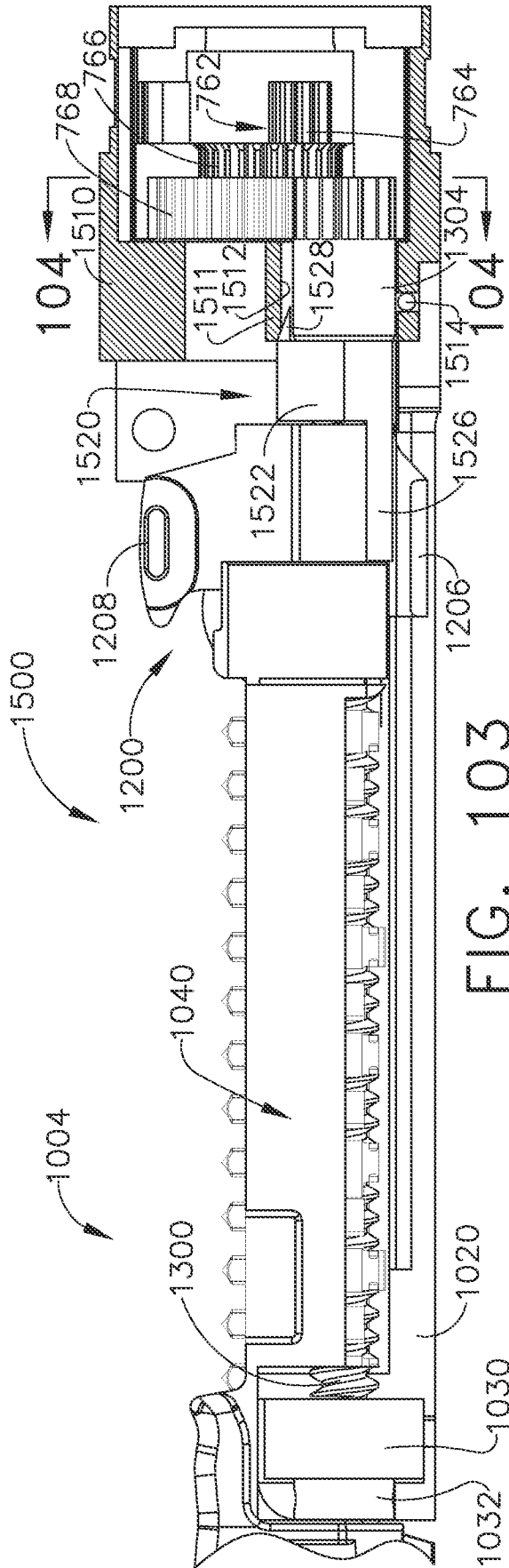


FIG. 103

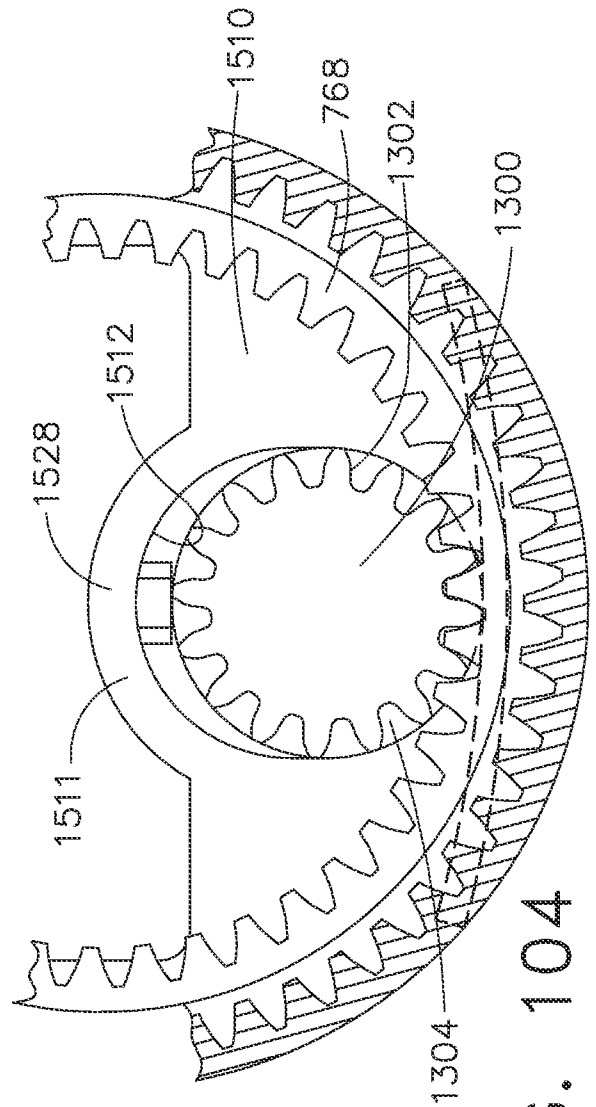


FIG. 104

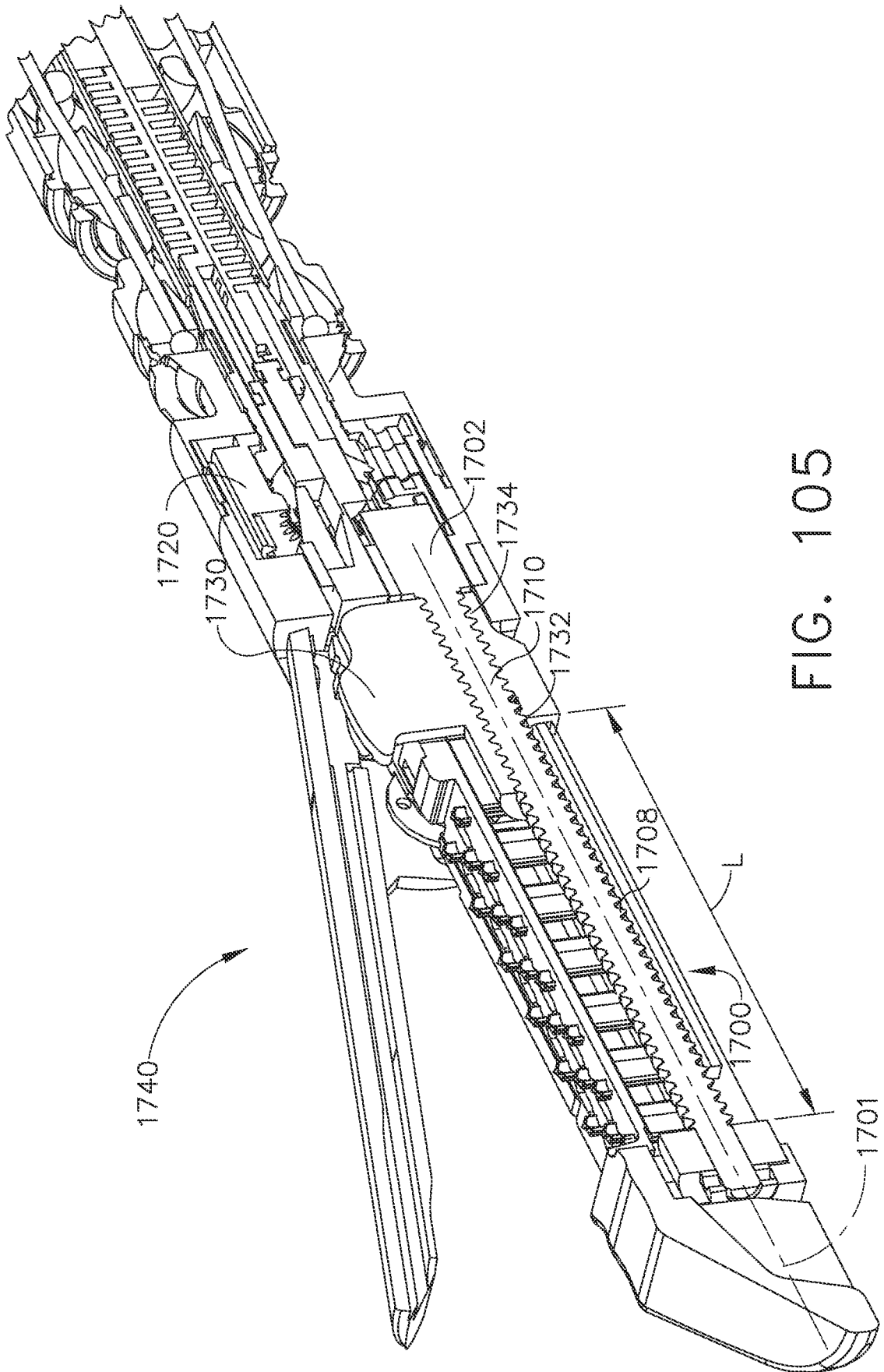


FIG. 105

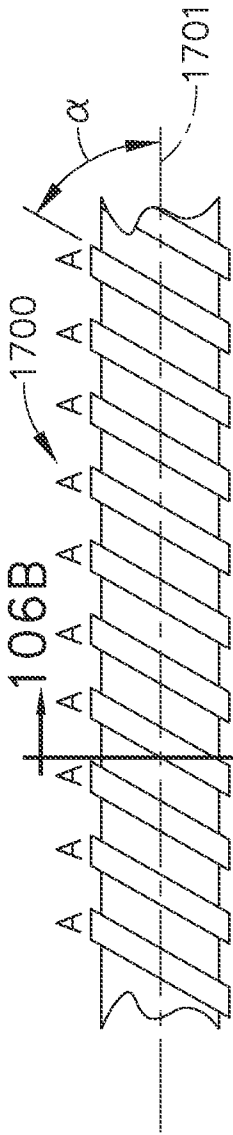


FIG. 106A

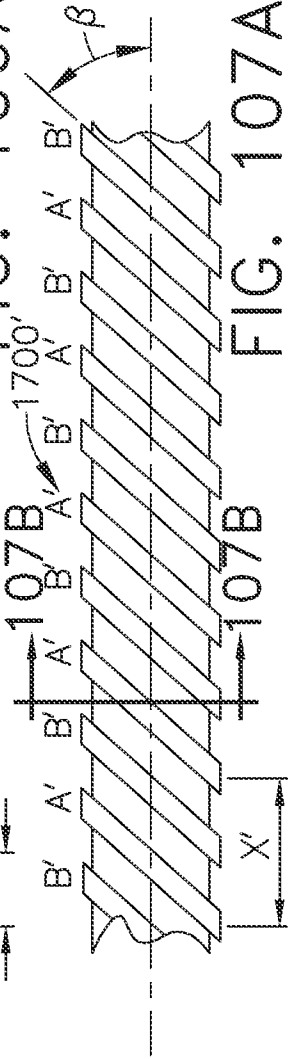


FIG. 107A

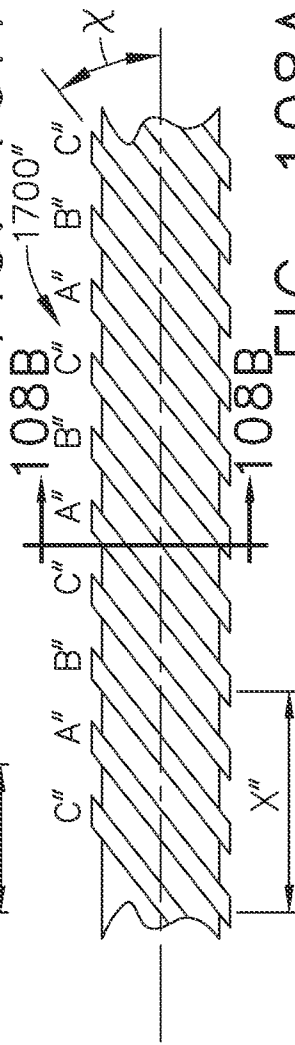


FIG. 108A

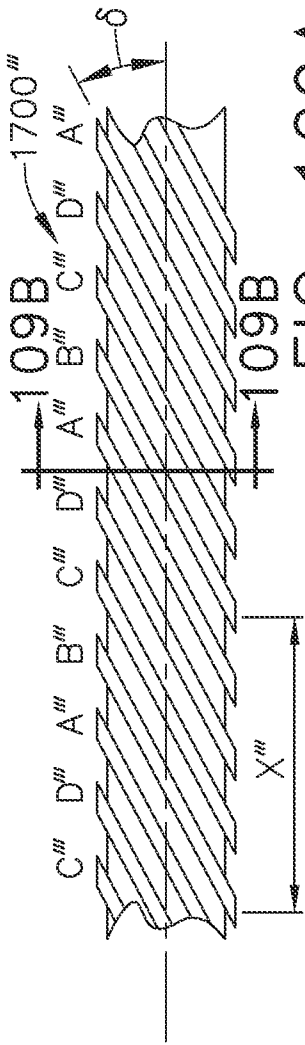


FIG. 109A

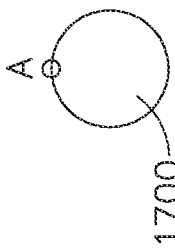


FIG. 106B

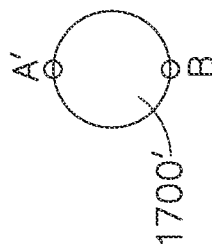


FIG. 107B

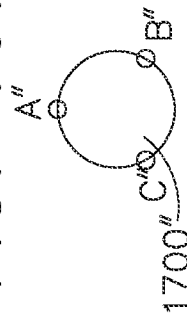


FIG. 108B

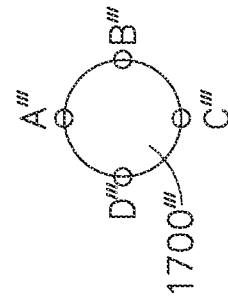


FIG. 109B

77/126

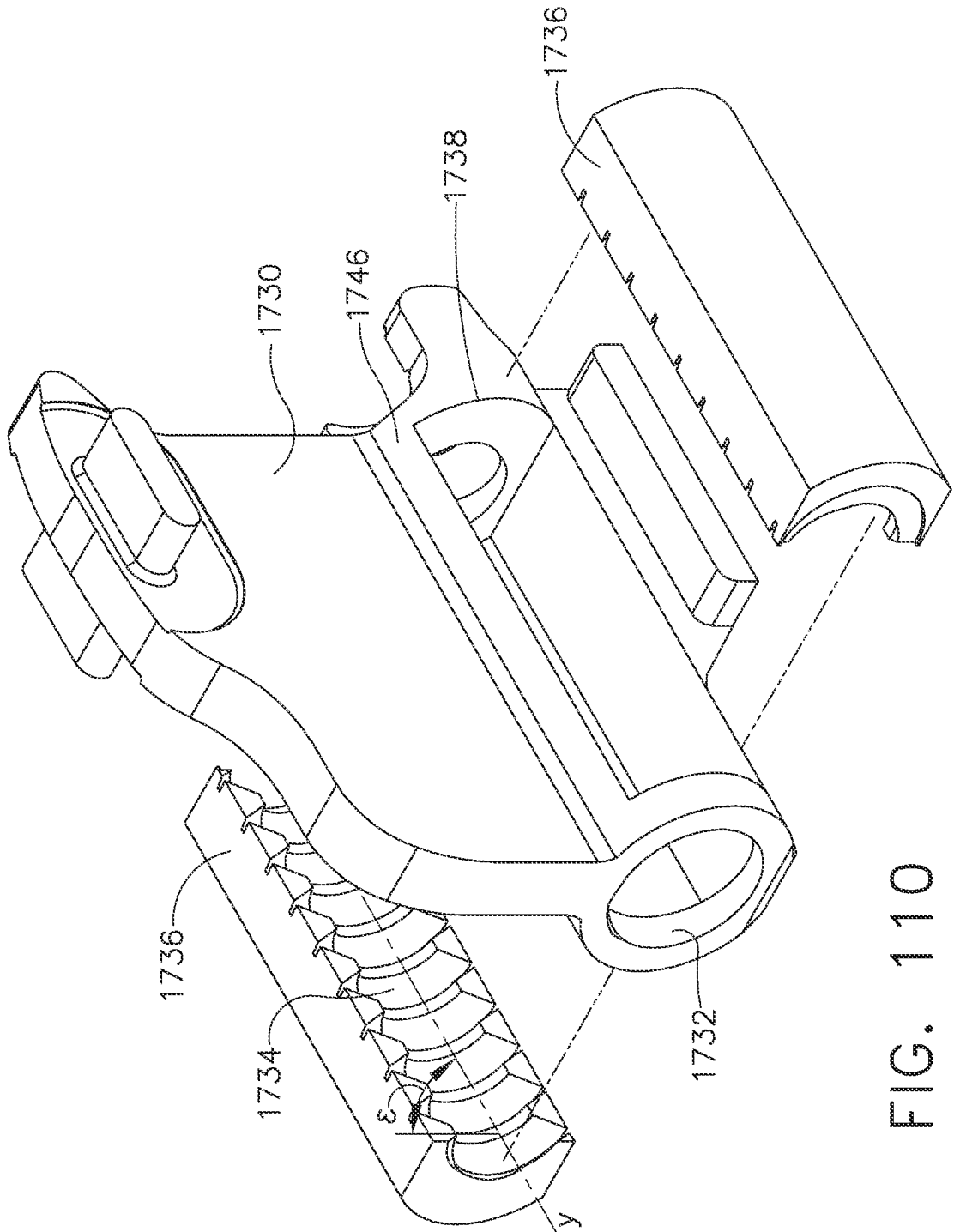


FIG. 110

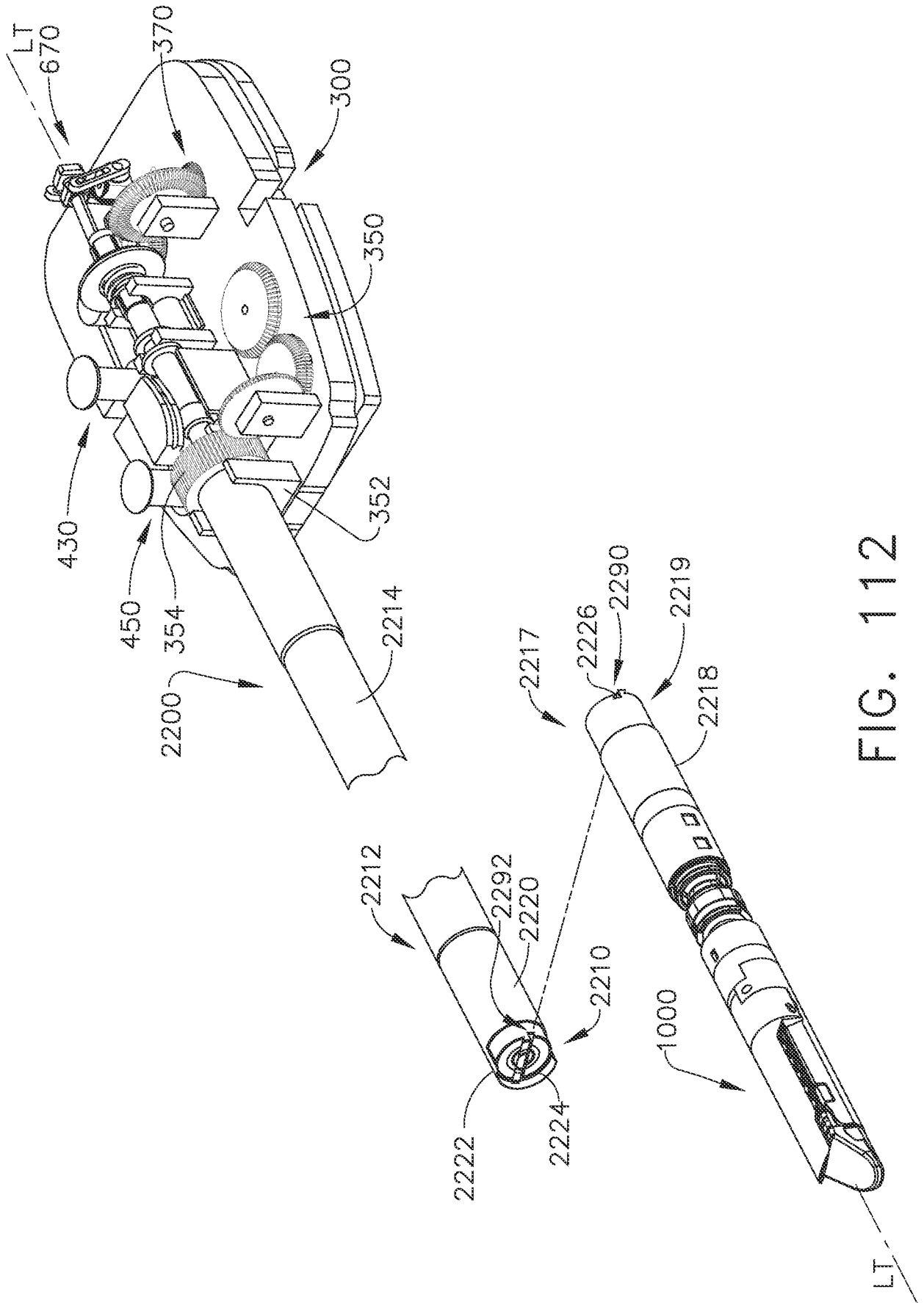


FIG. 112

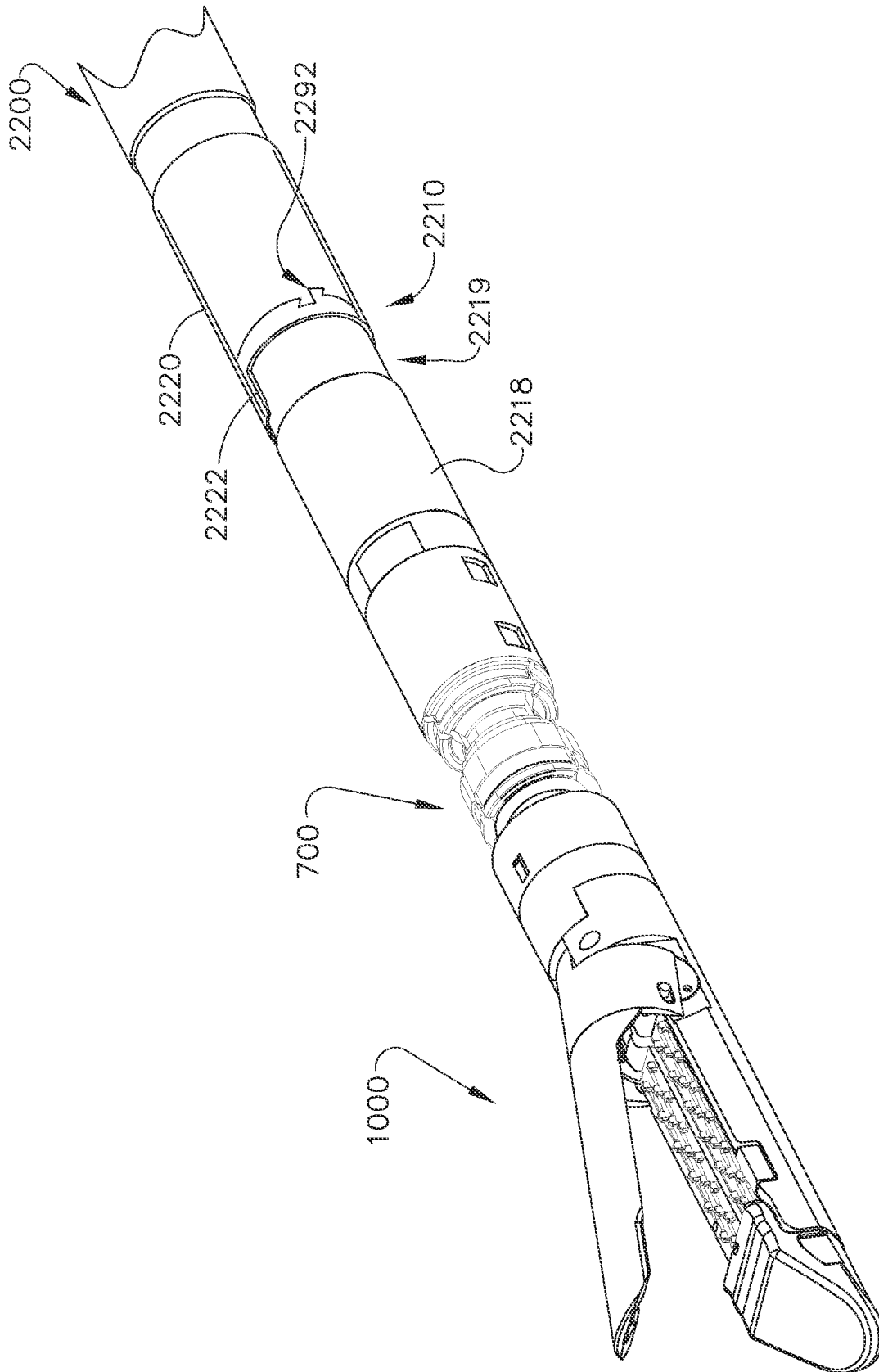


FIG. 112A

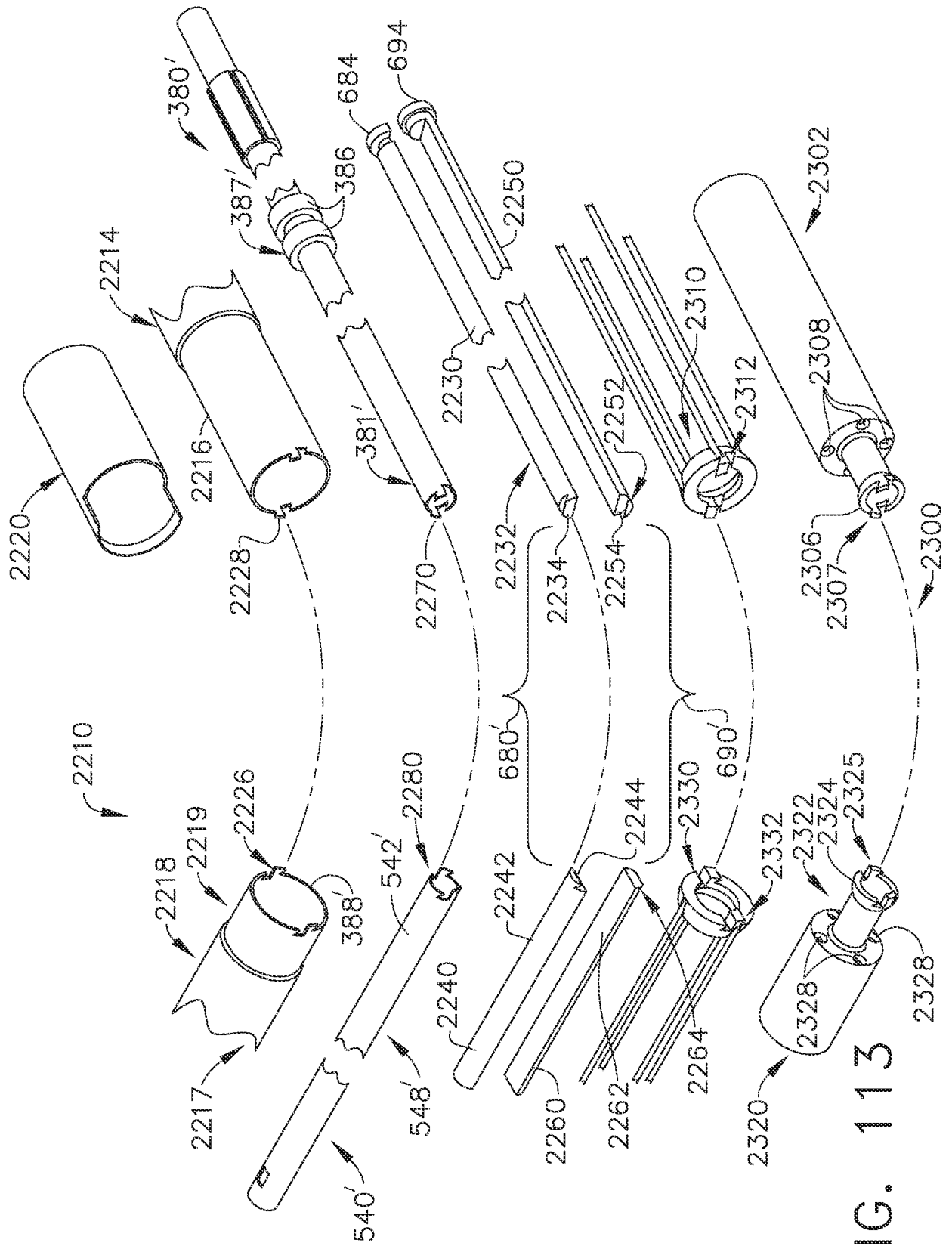


FIG. 113

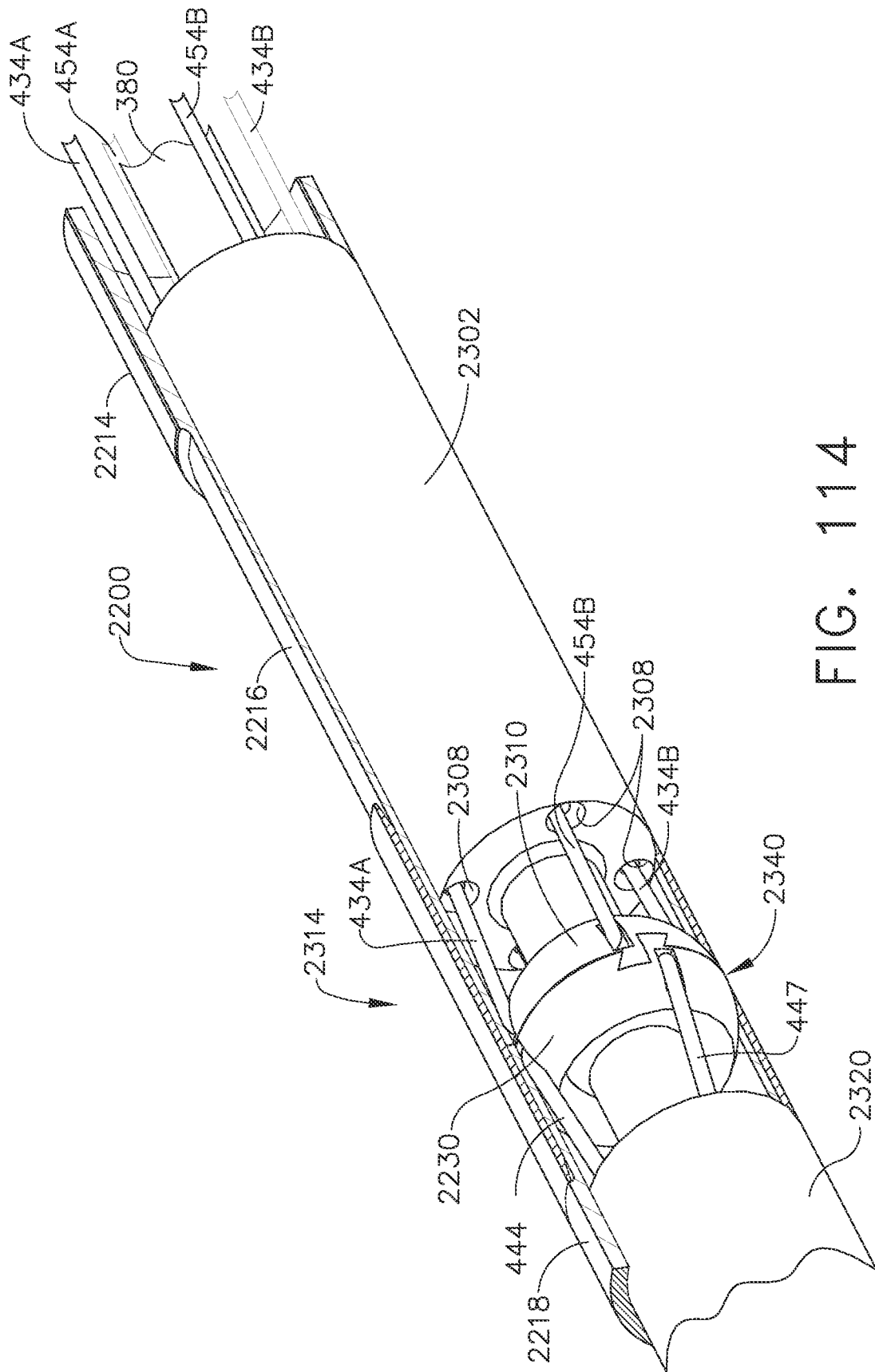


FIG. 114

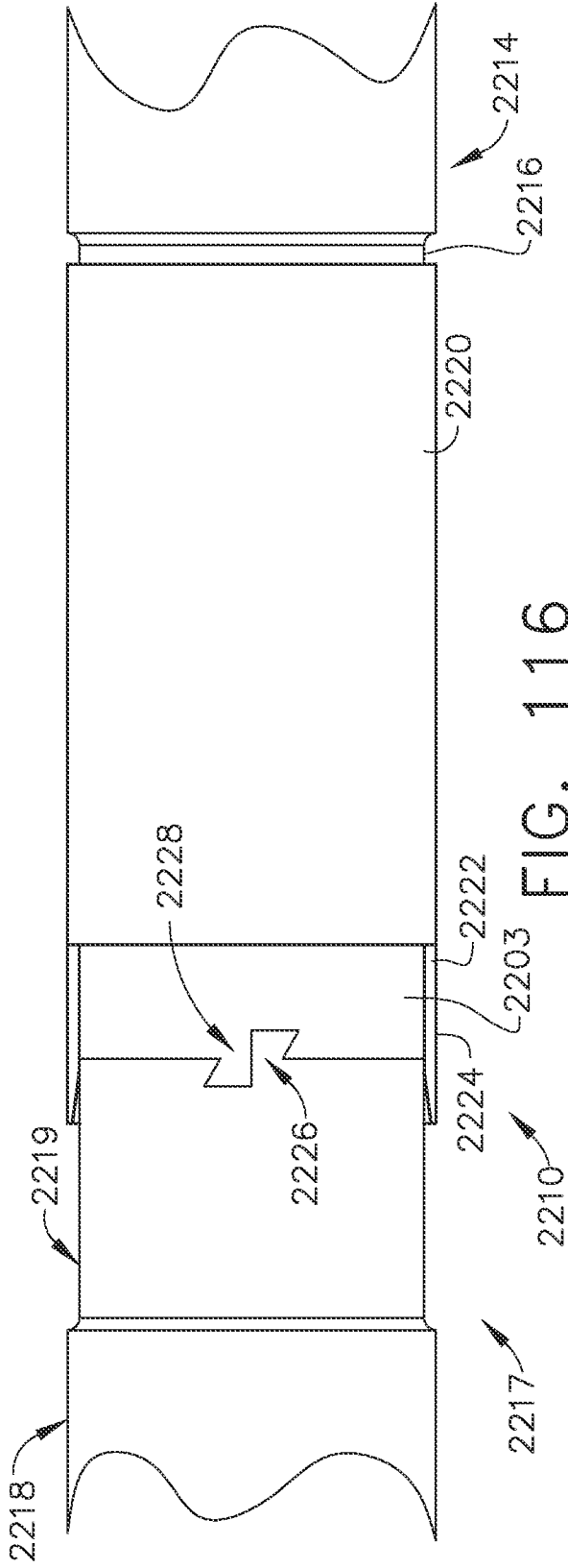


FIG. 116

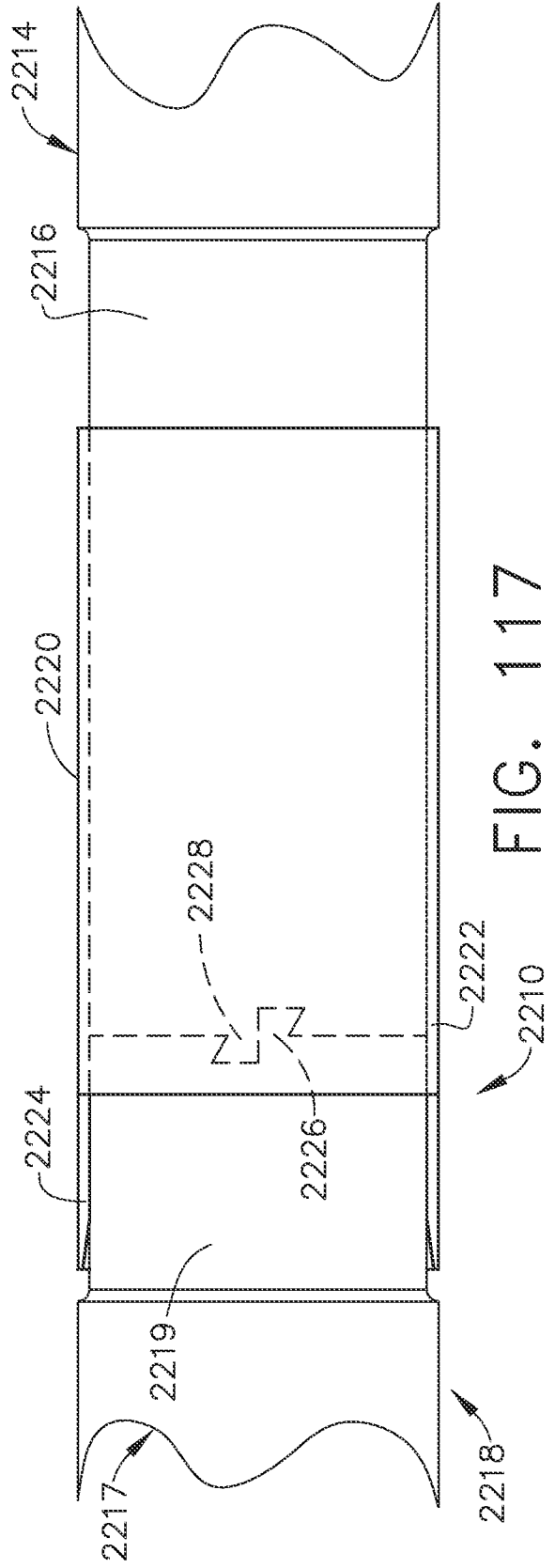


FIG. 117

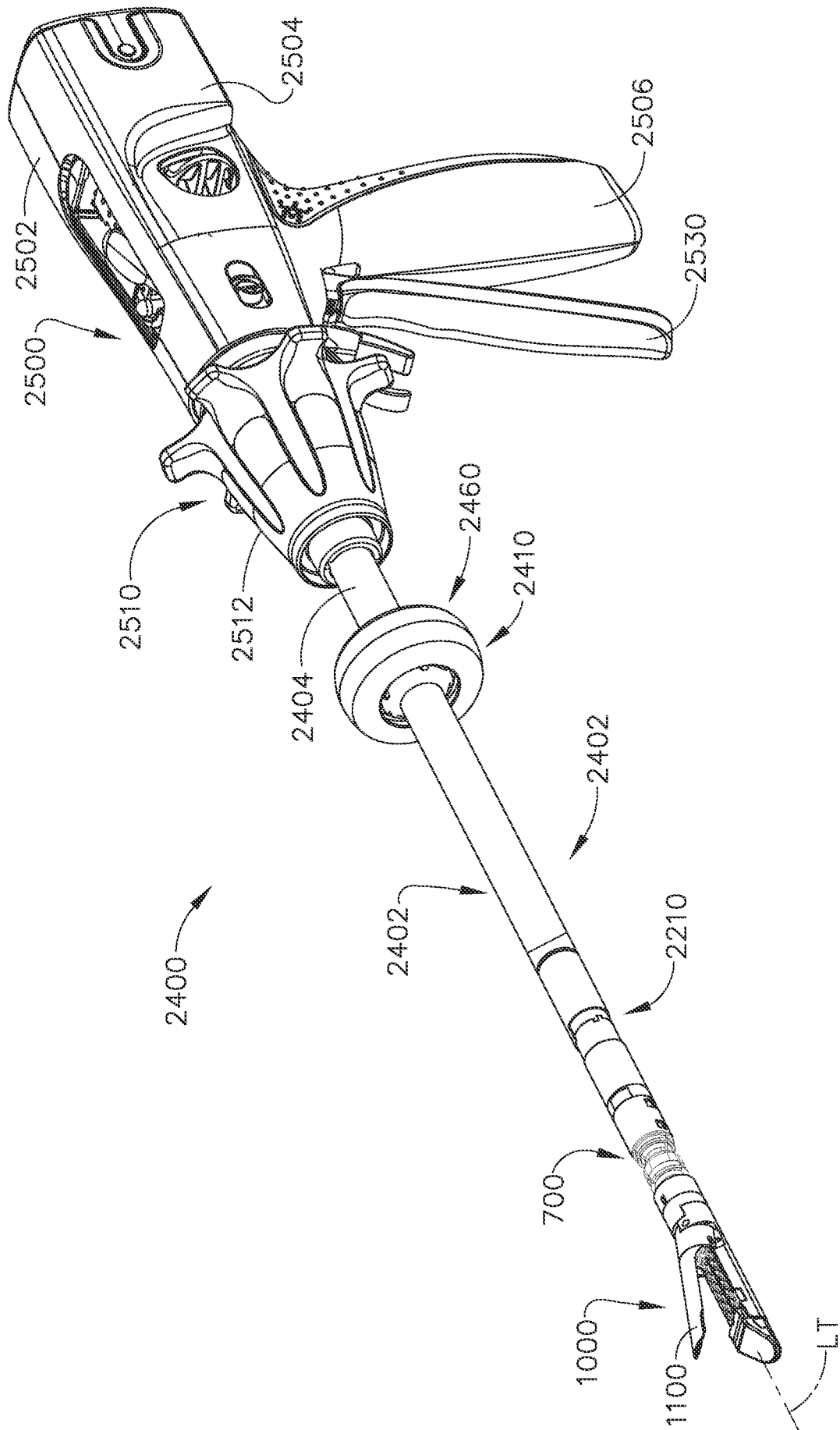


FIG. 118

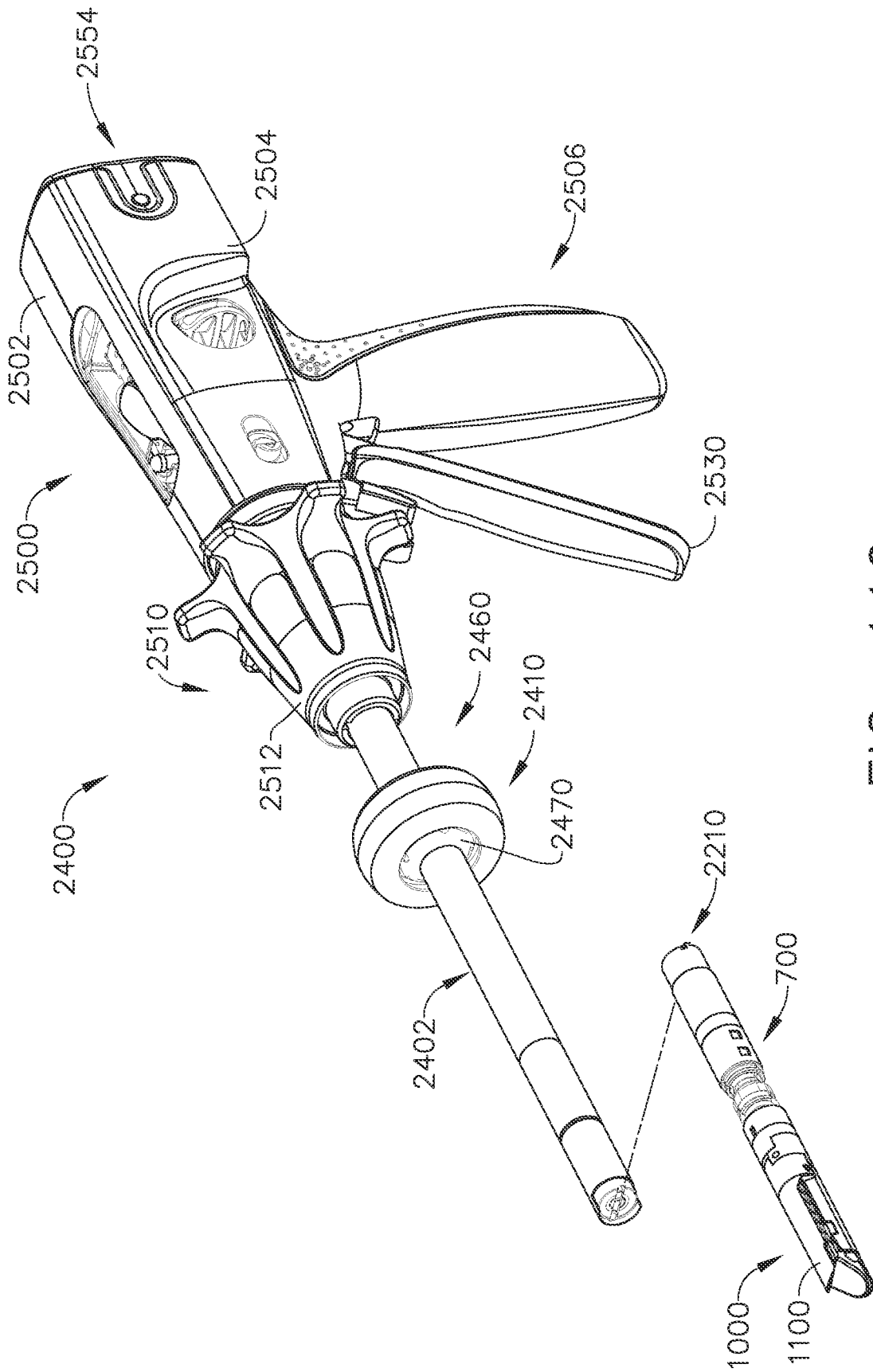


FIG. 119

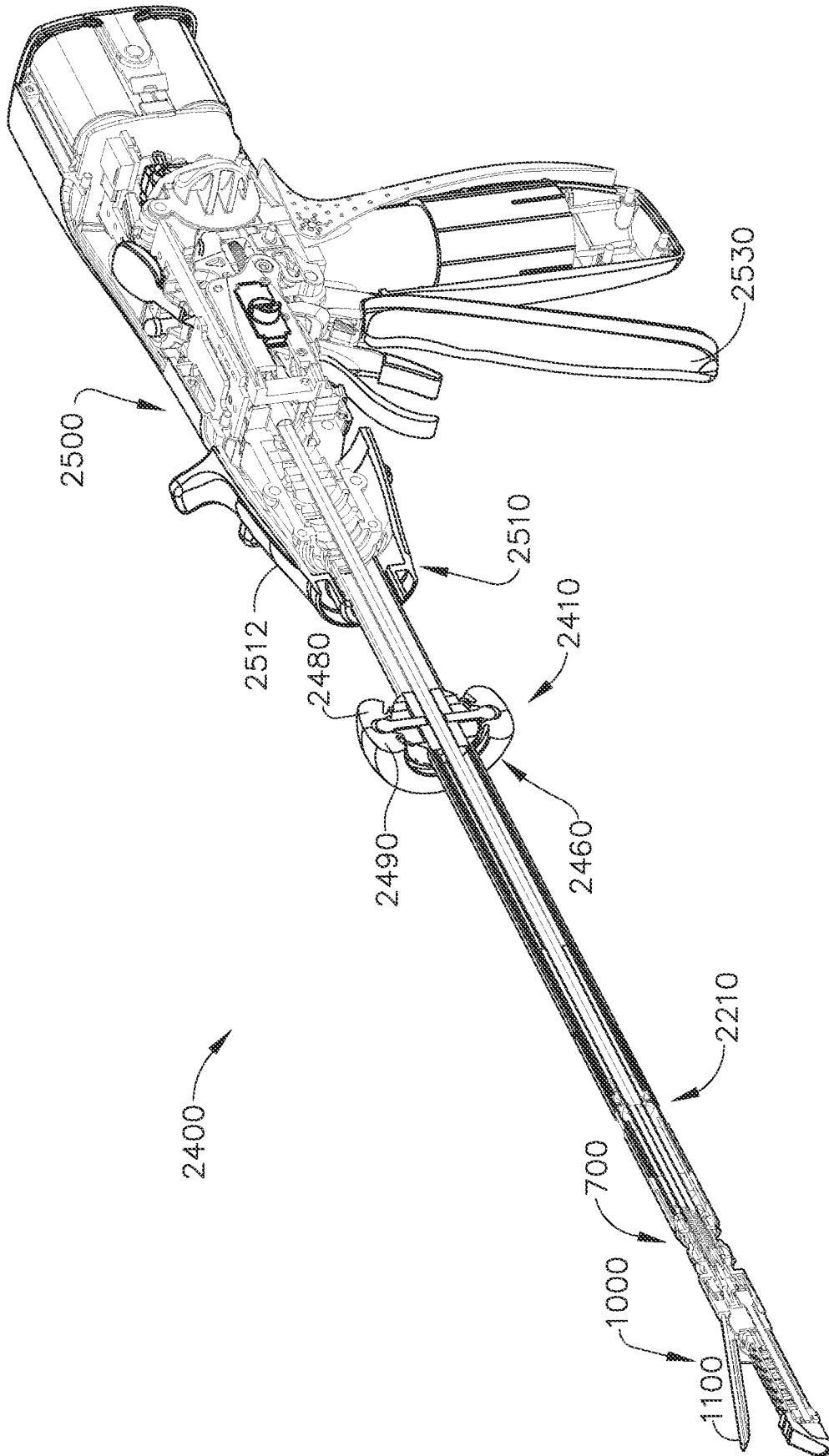


FIG. 120

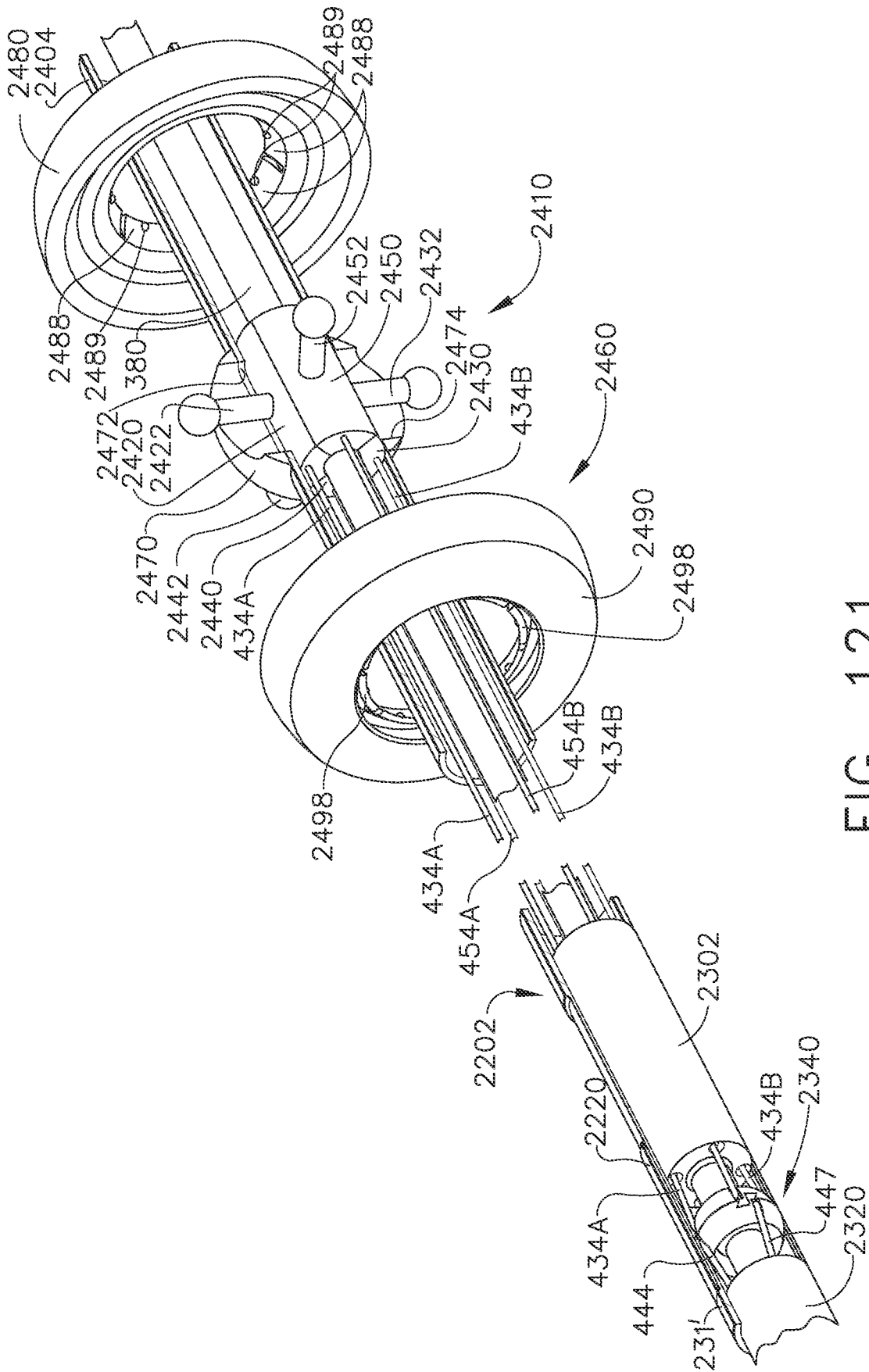


FIG. 121

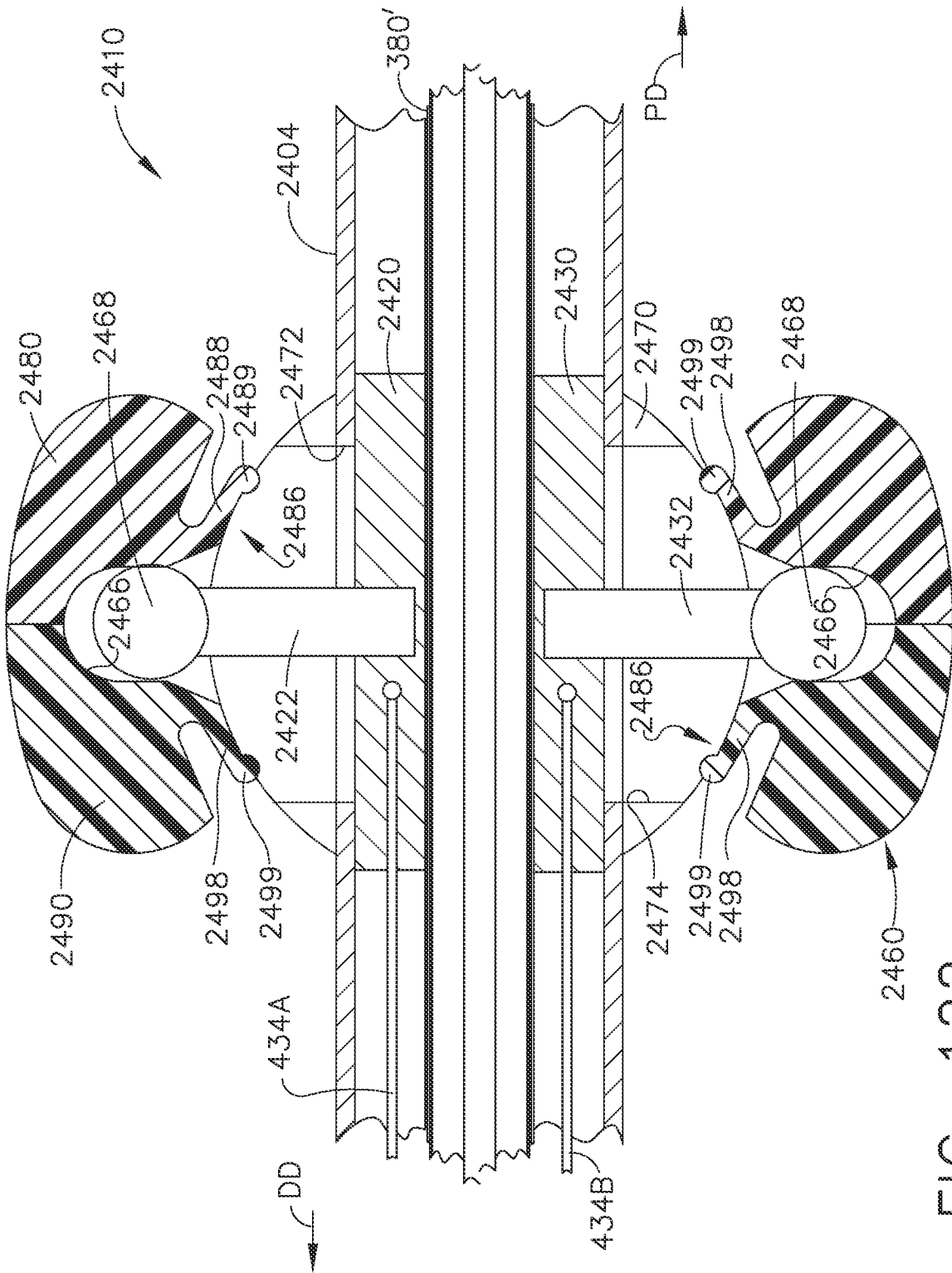


FIG. 122

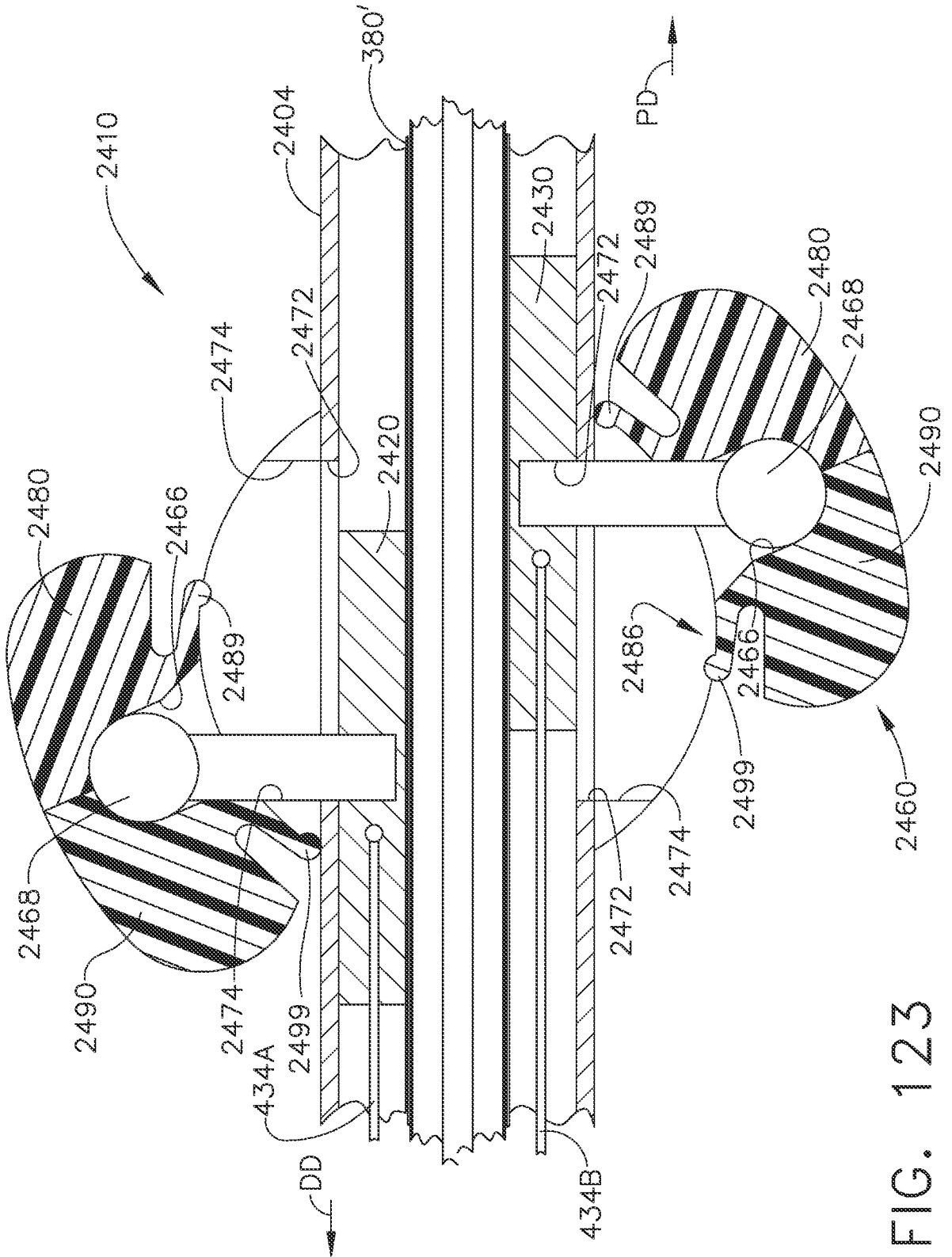


FIG. 123

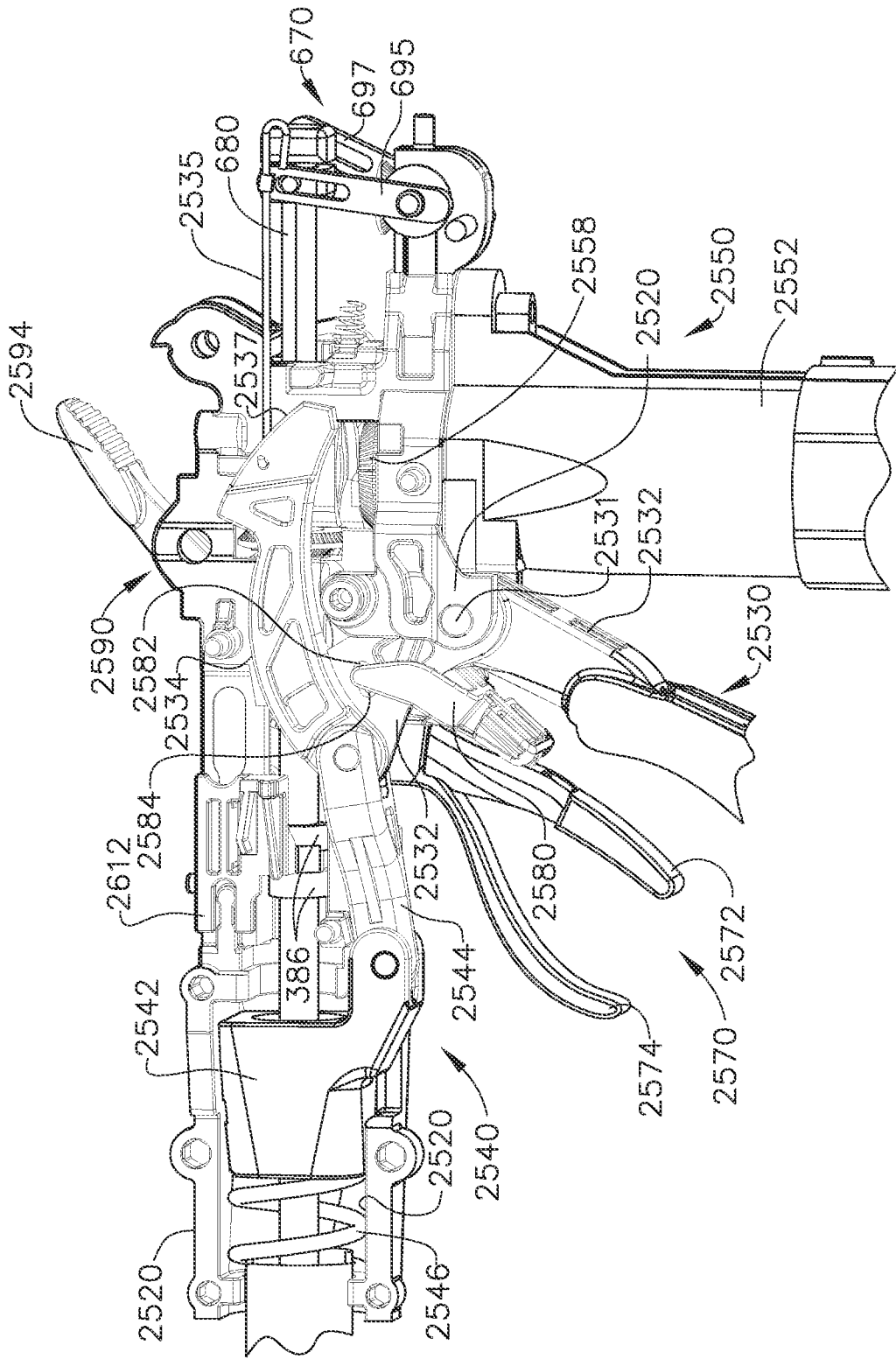


FIG. 124

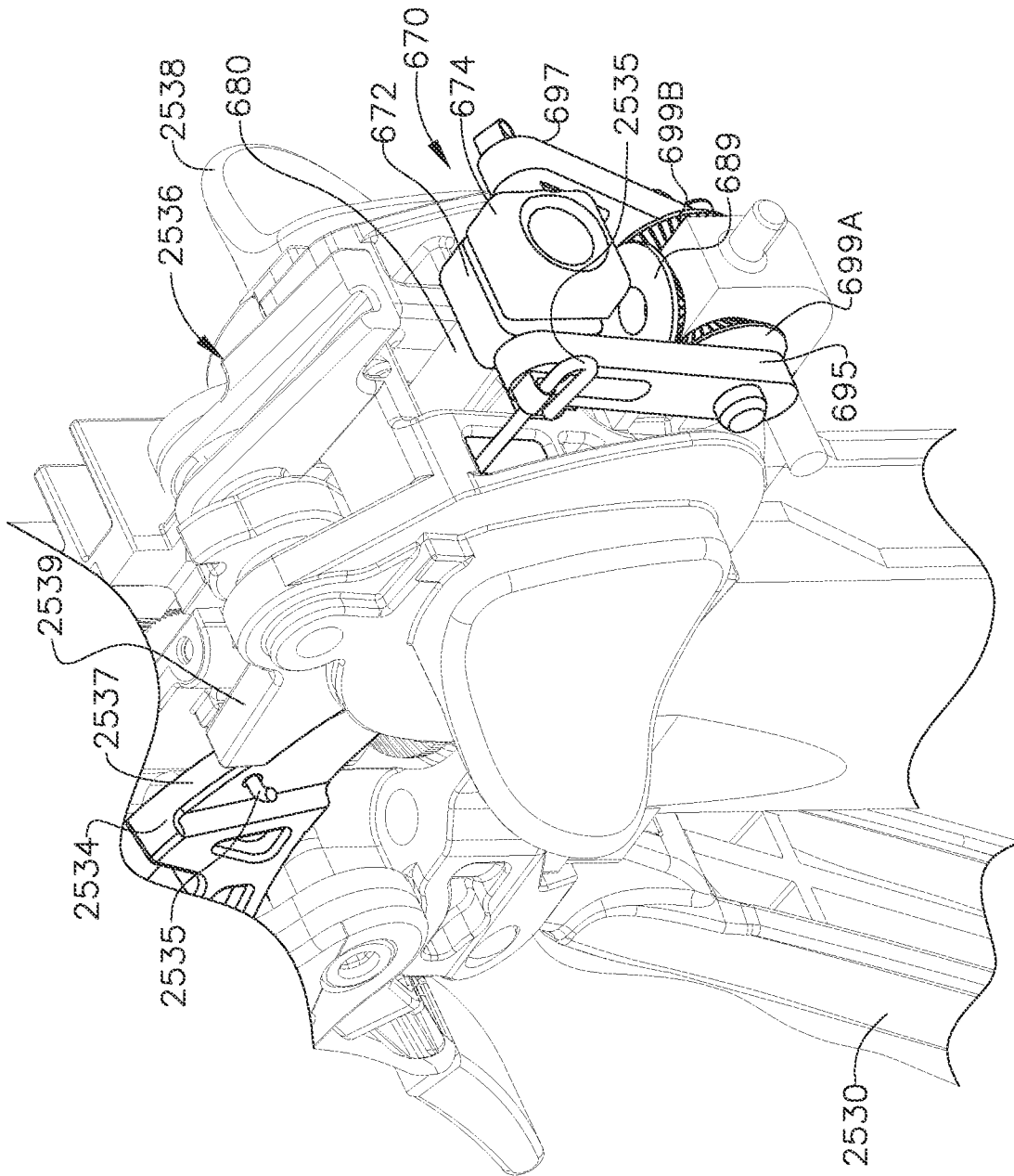


FIG. 125

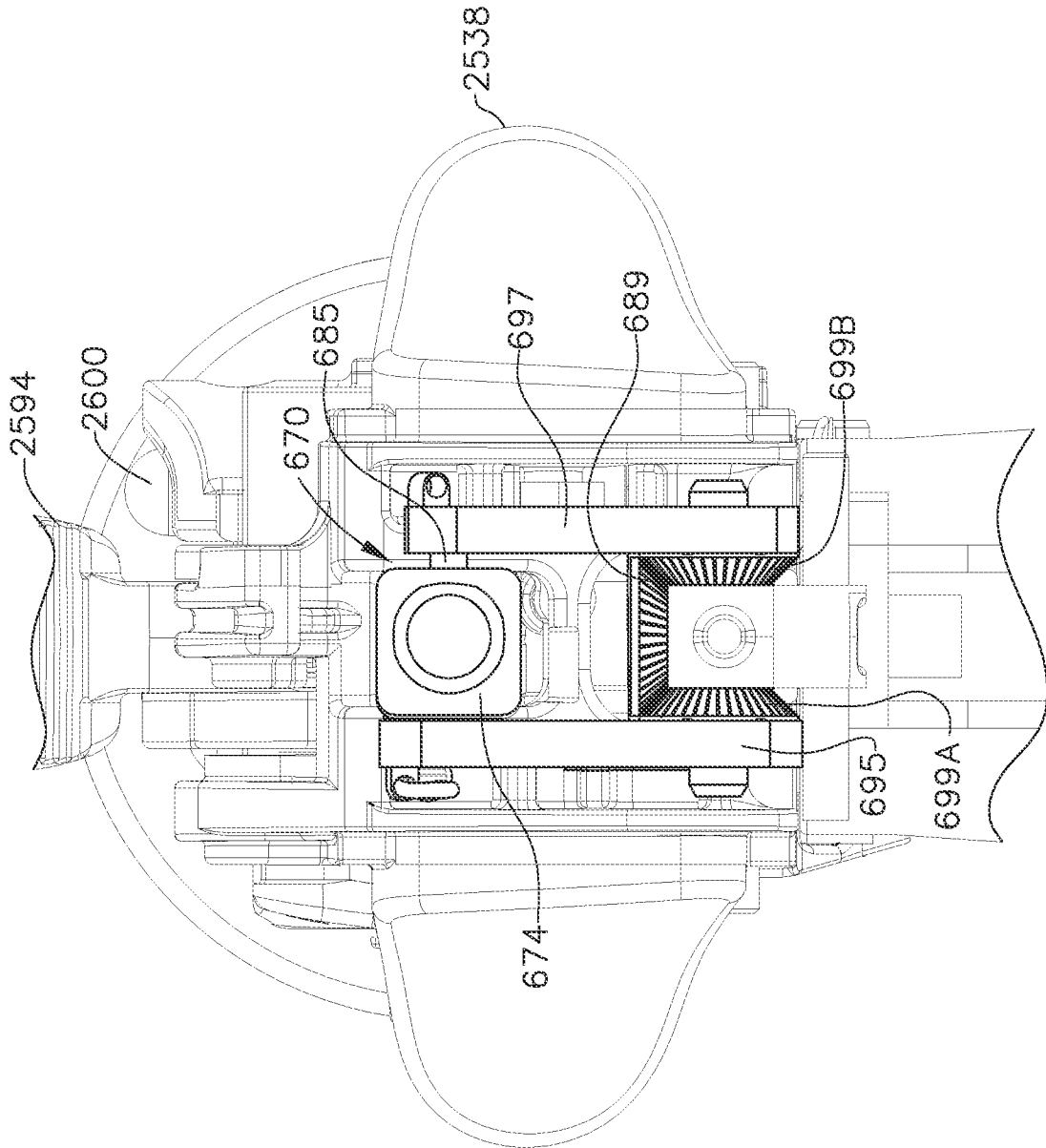


FIG. 126

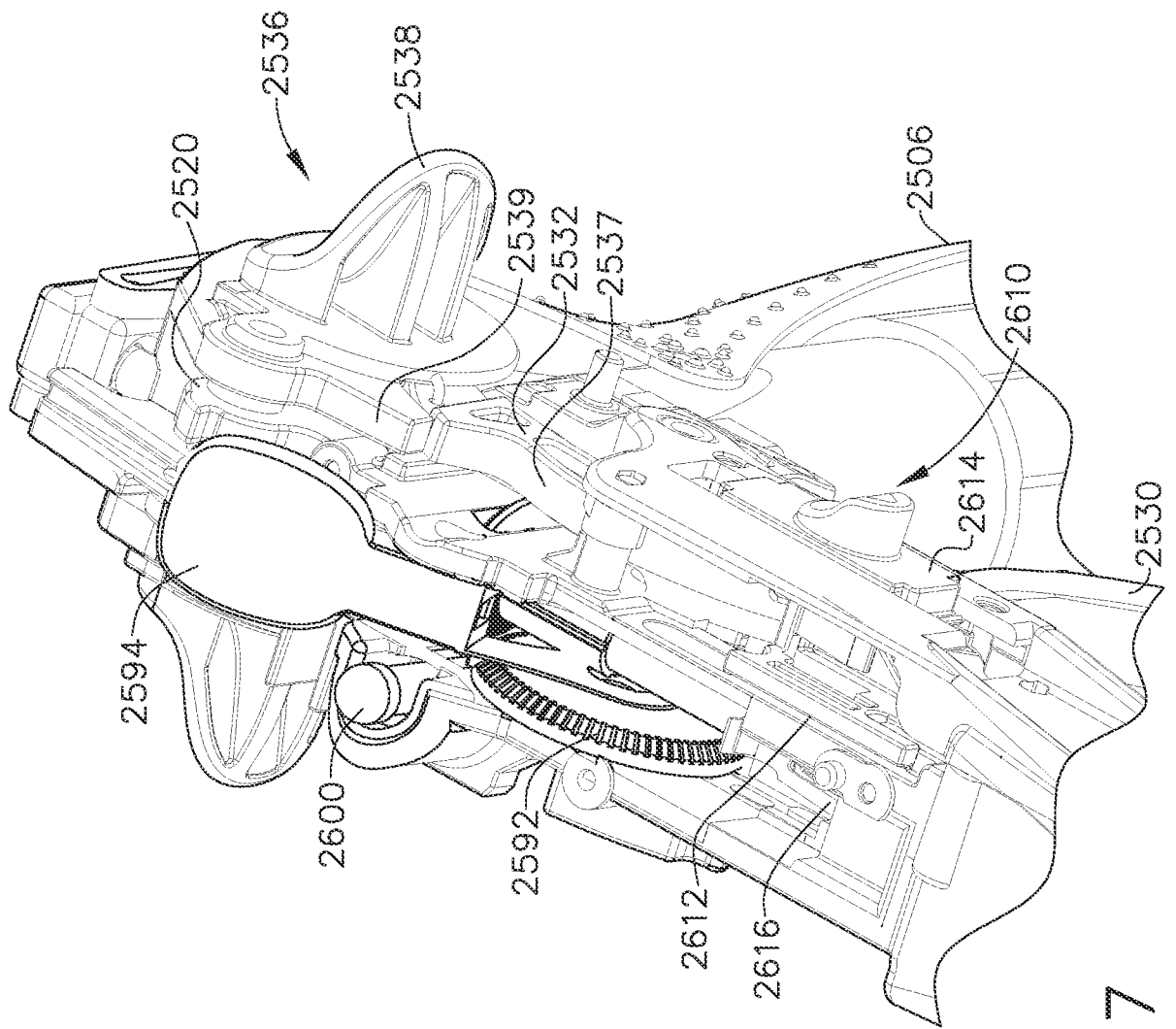


FIG. 127

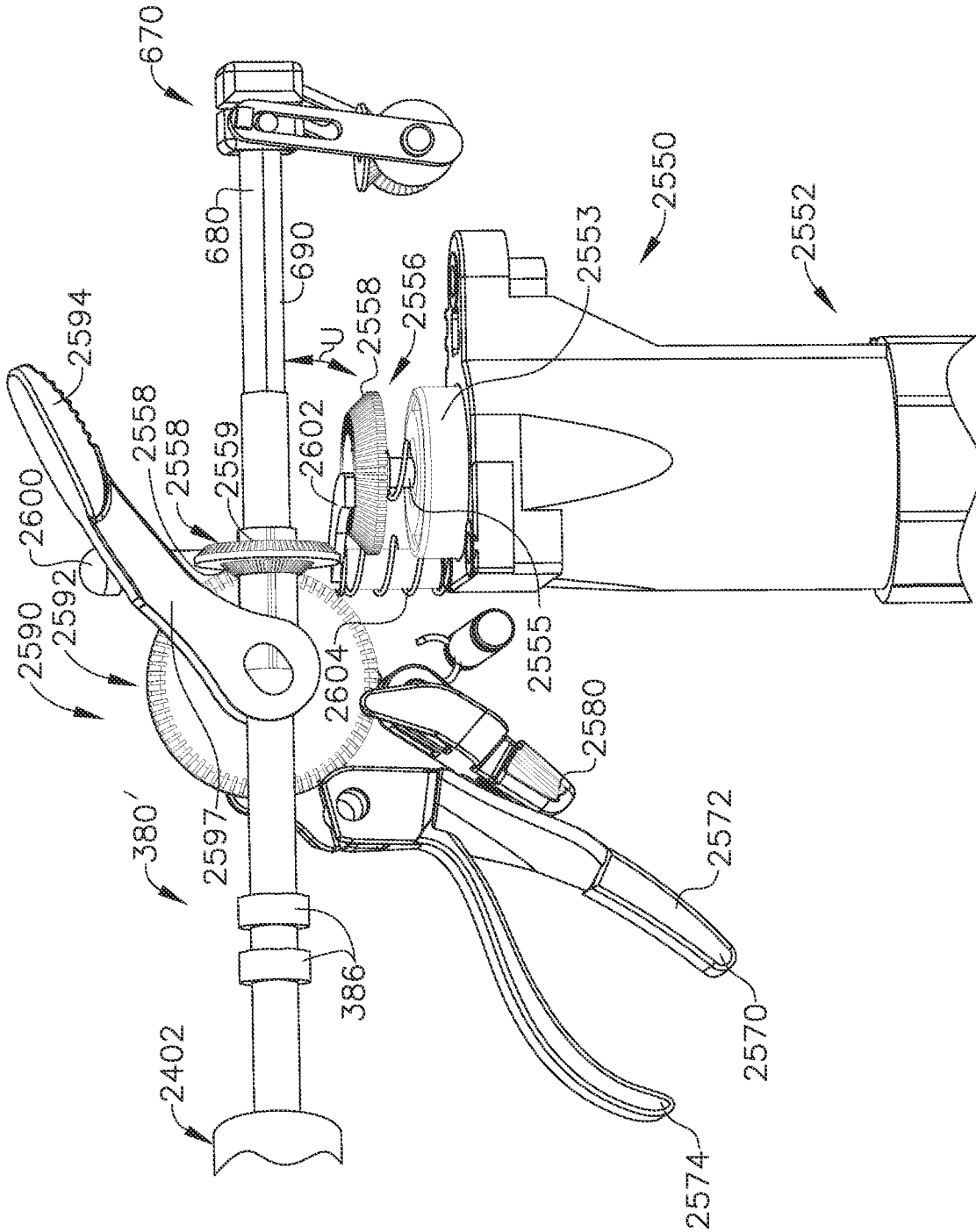


FIG. 128

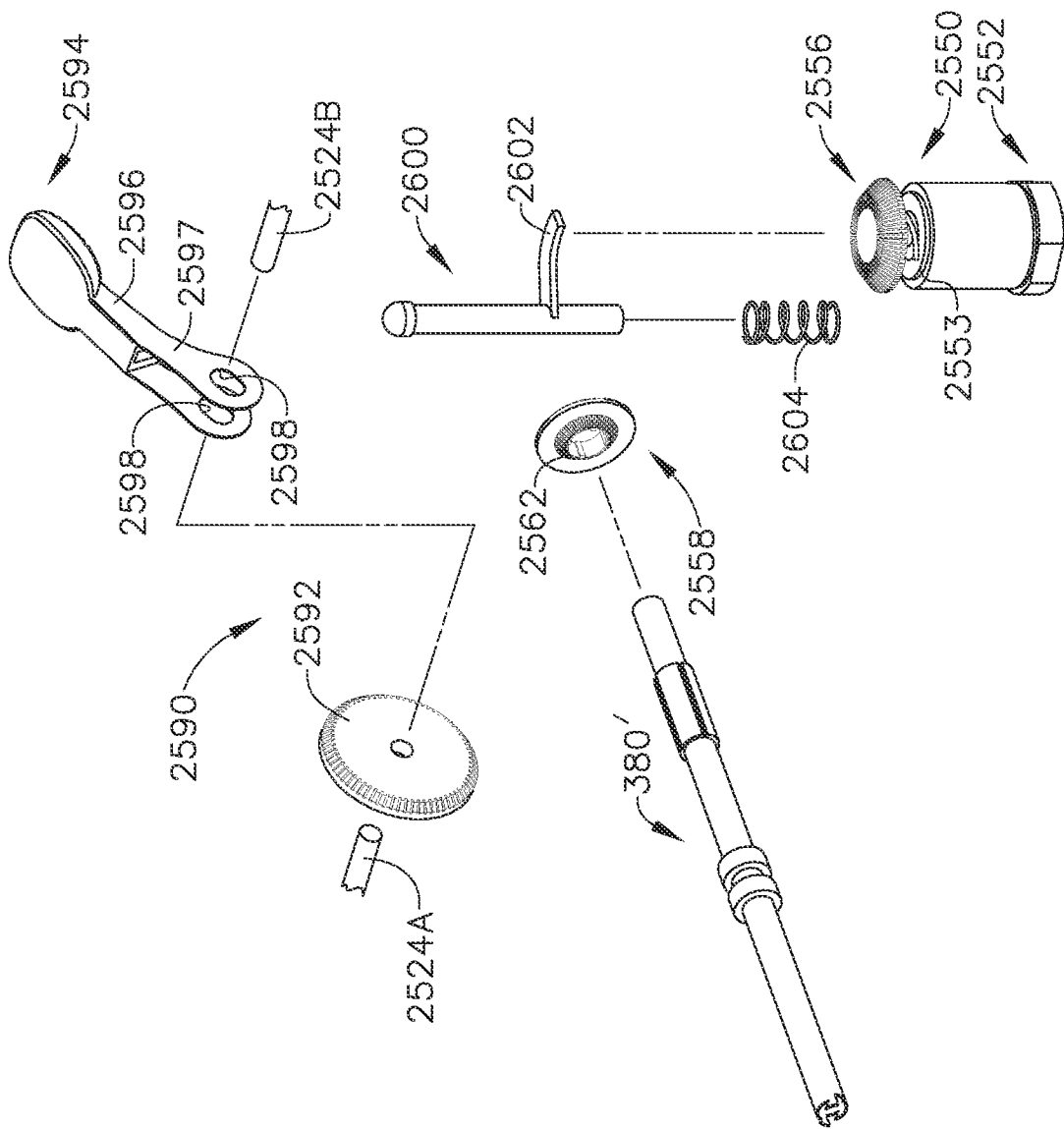


FIG. 129

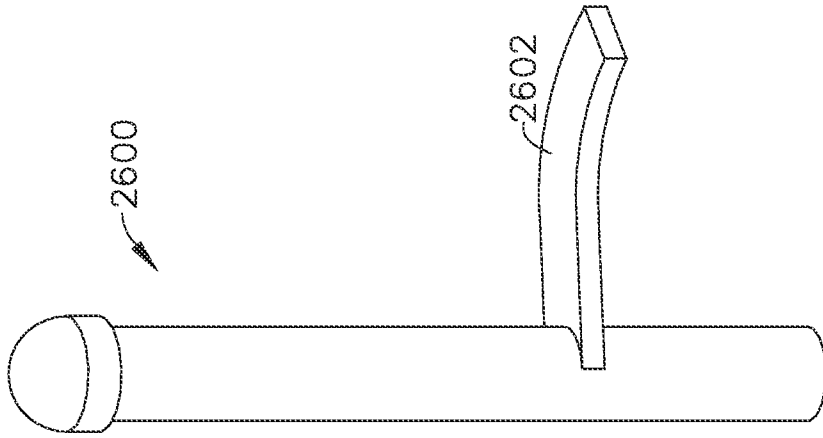


FIG. 131

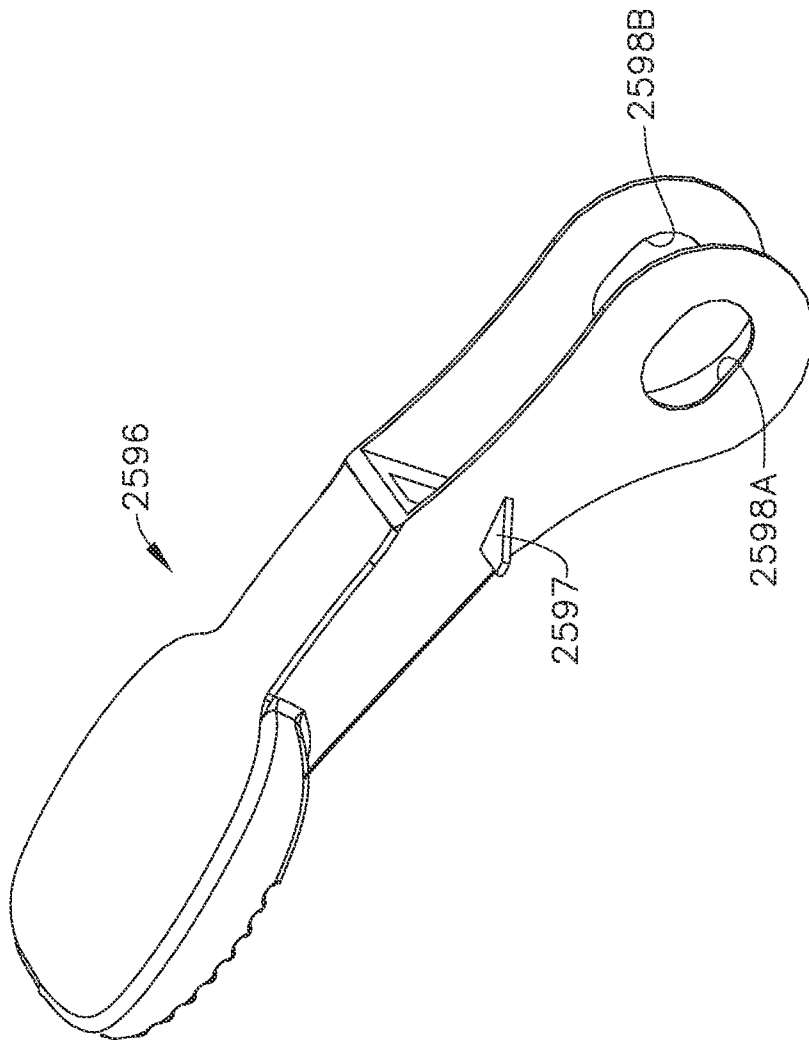


FIG. 130

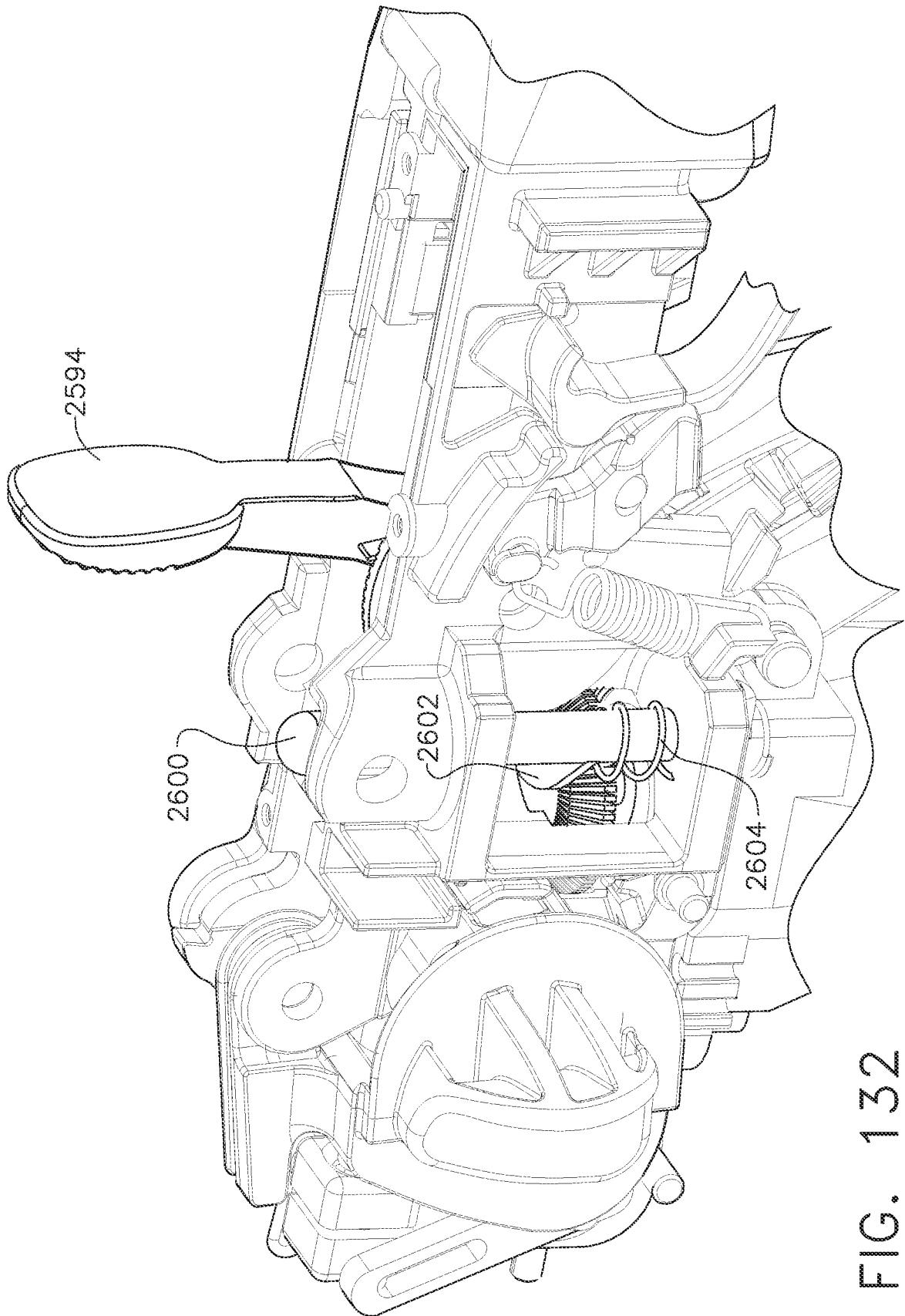


FIG. 132

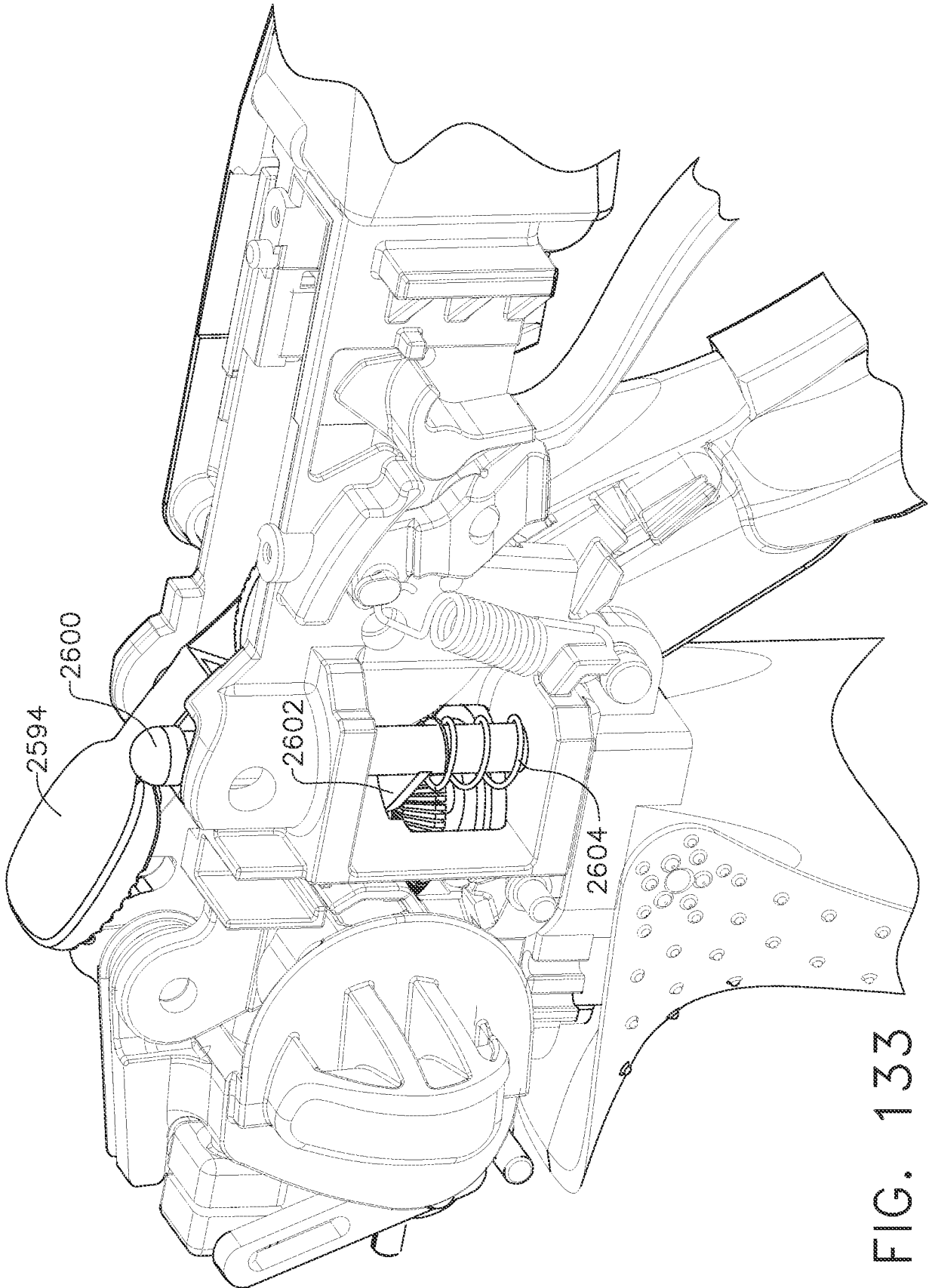


FIG. 133

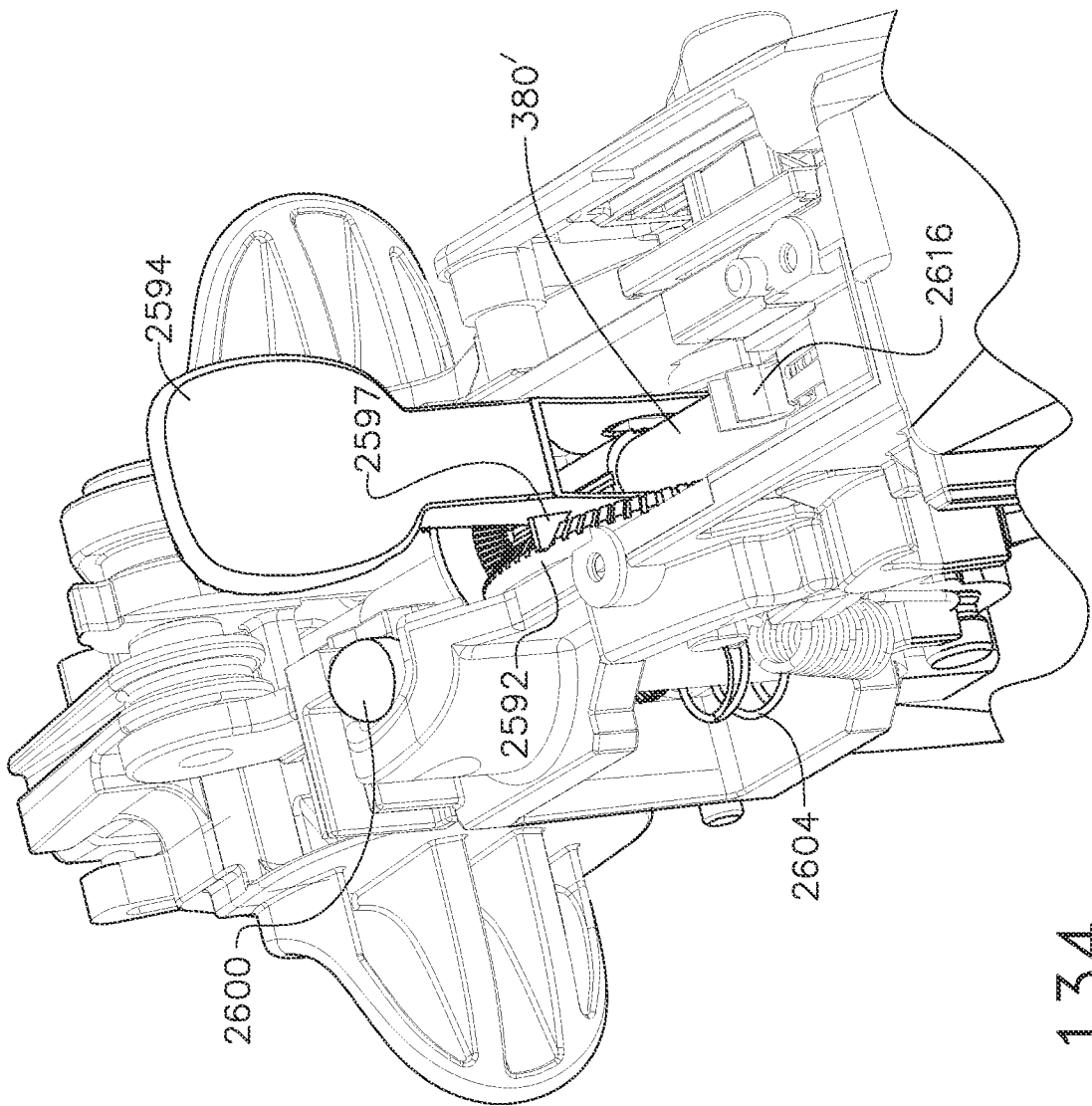


FIG. 134

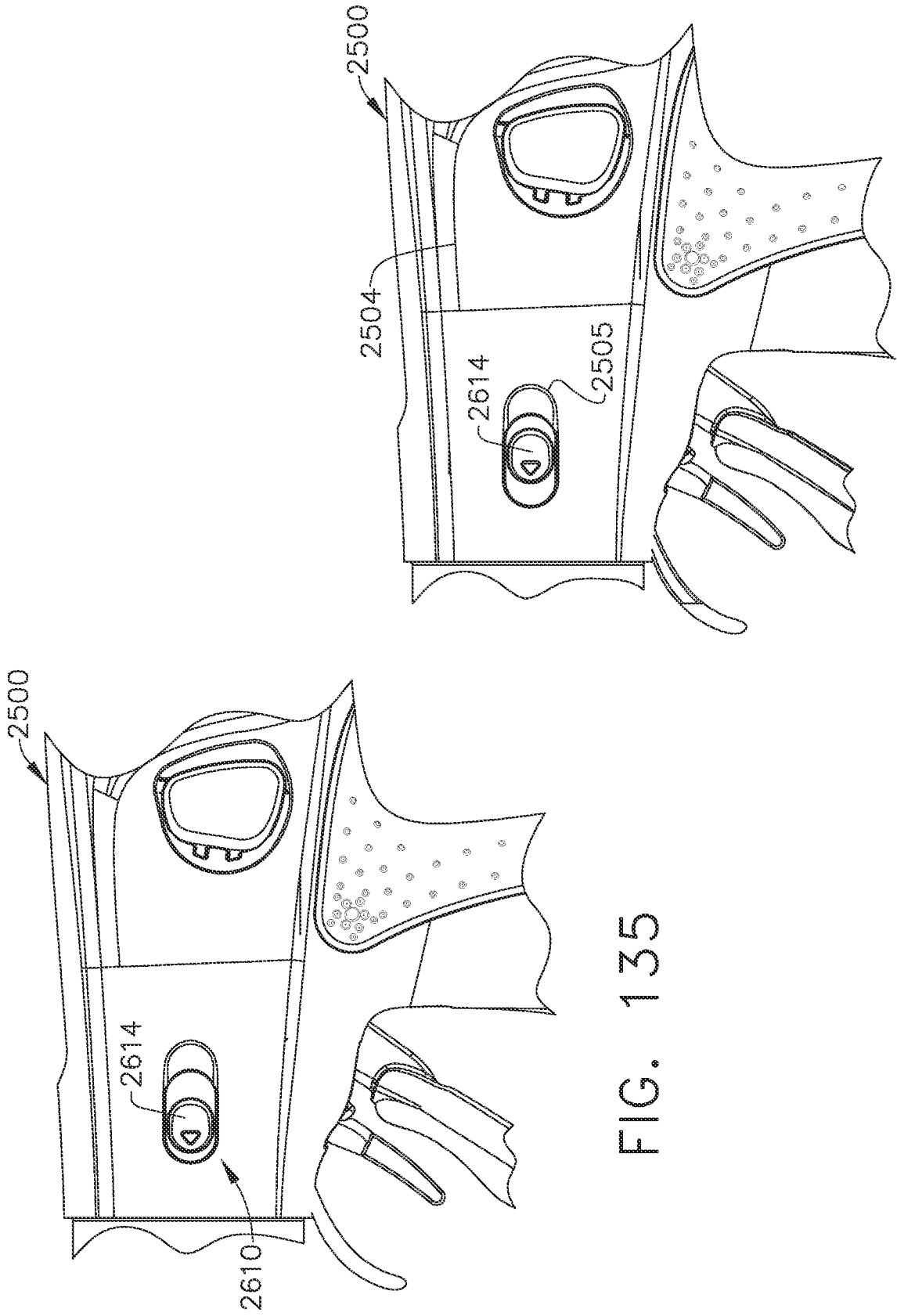


FIG. 135

FIG. 136

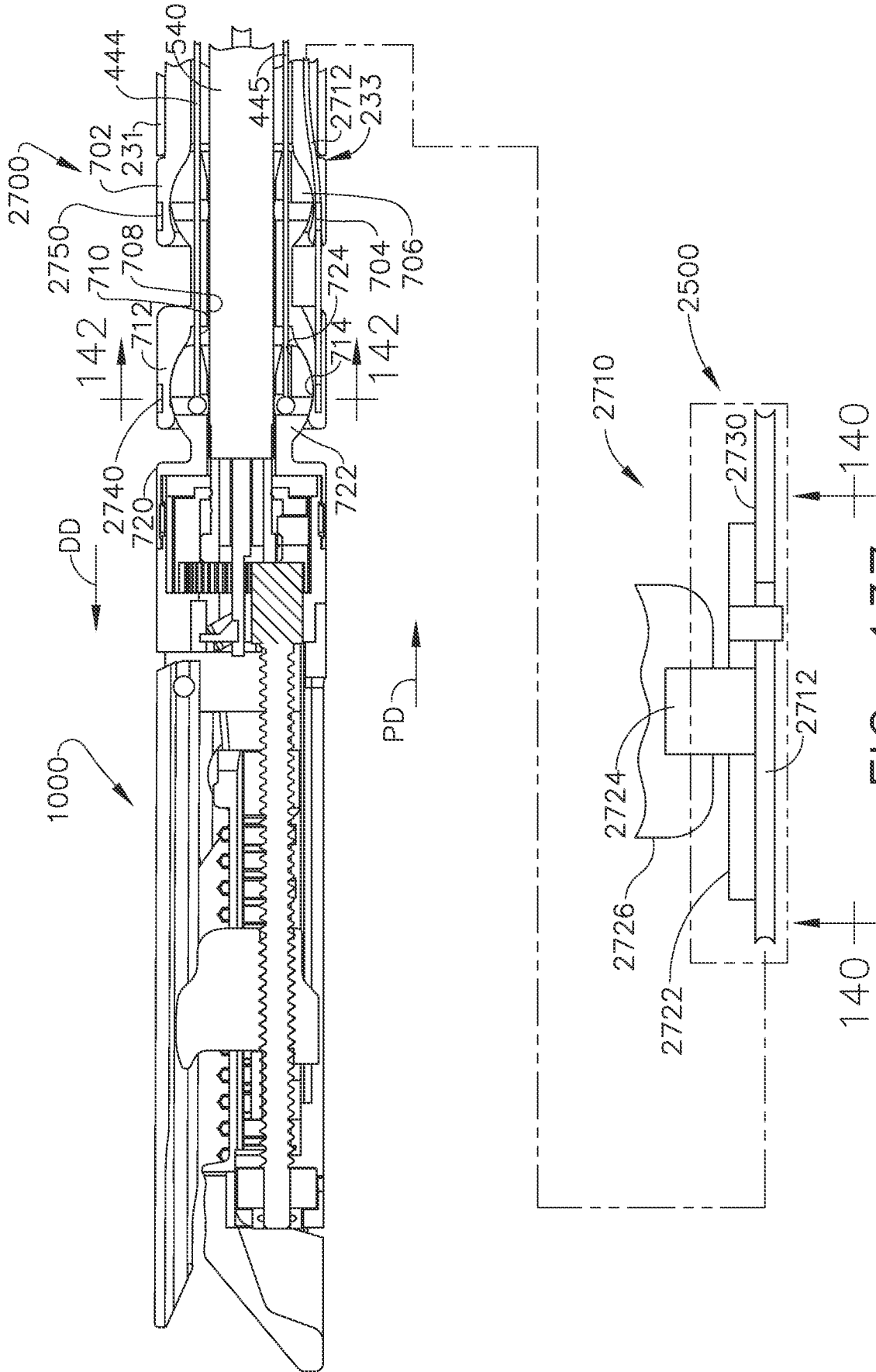


FIG. 137

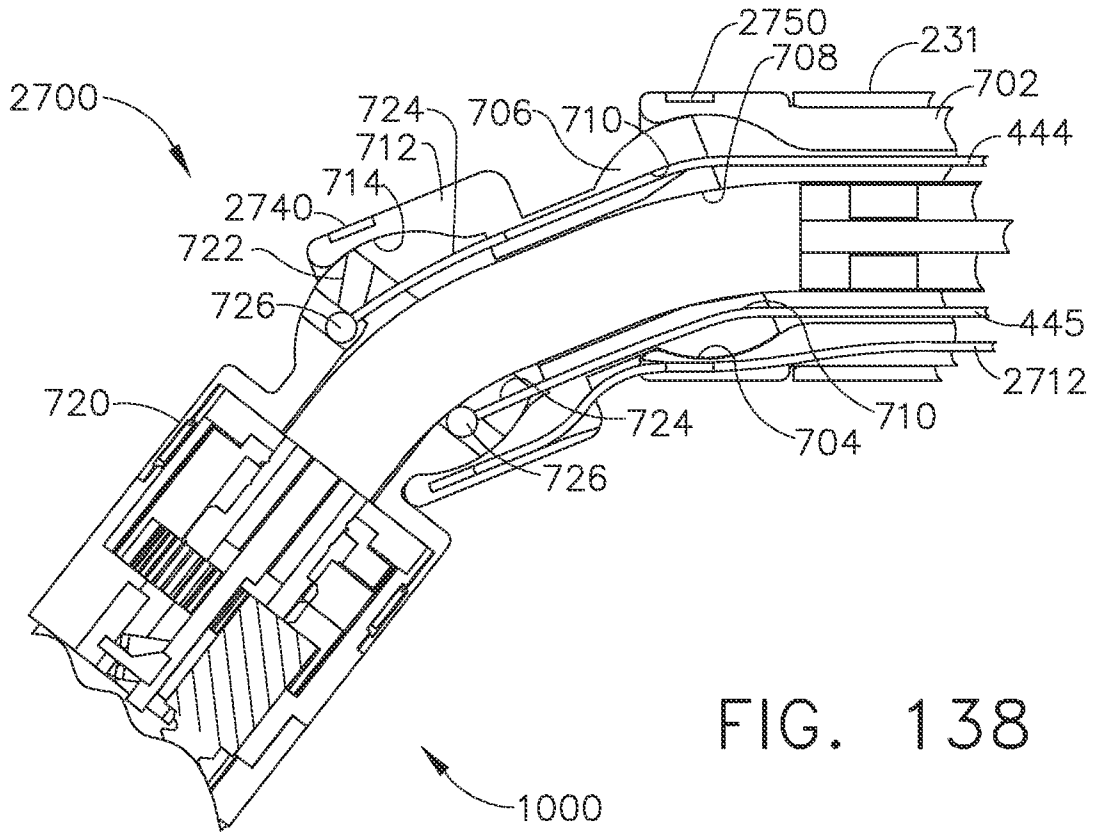


FIG. 138

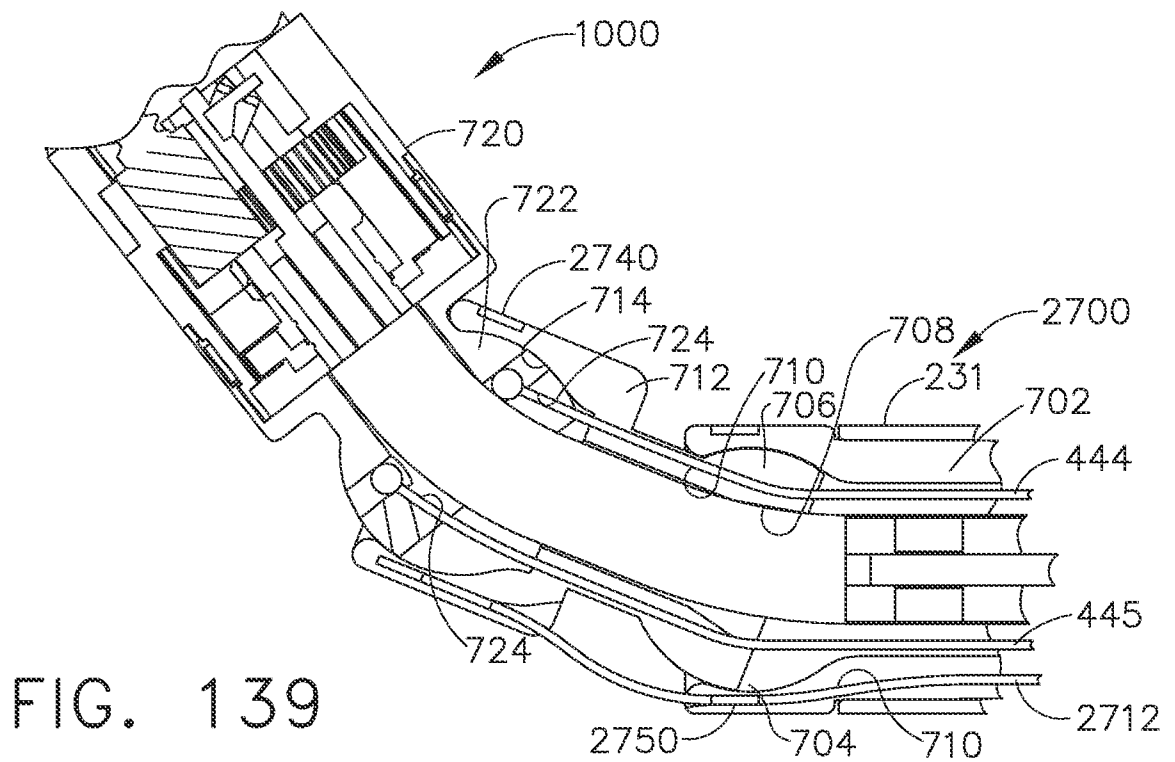


FIG. 139

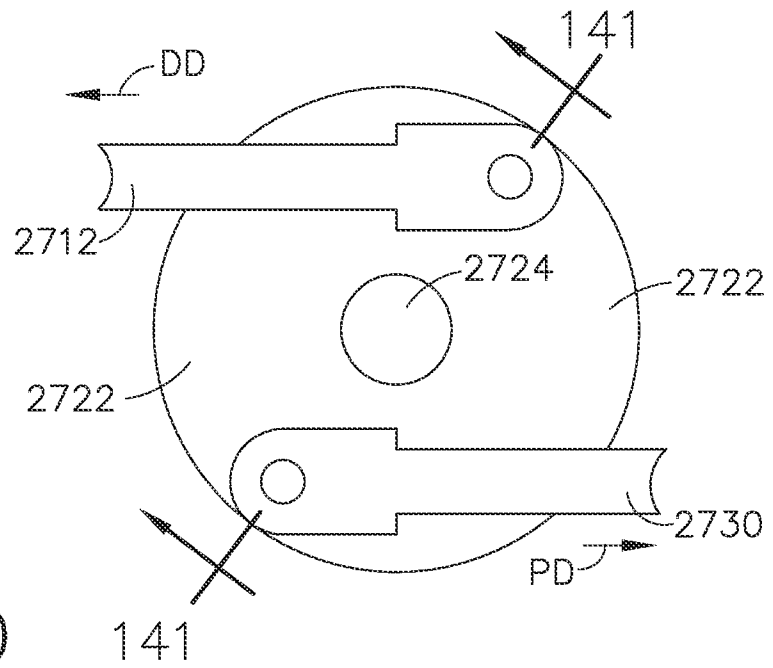


FIG. 140

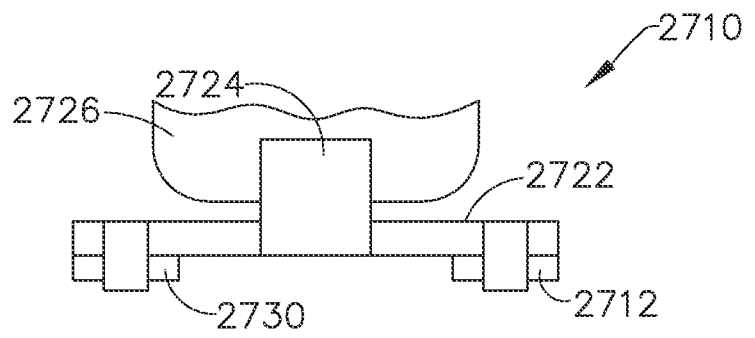


FIG. 141

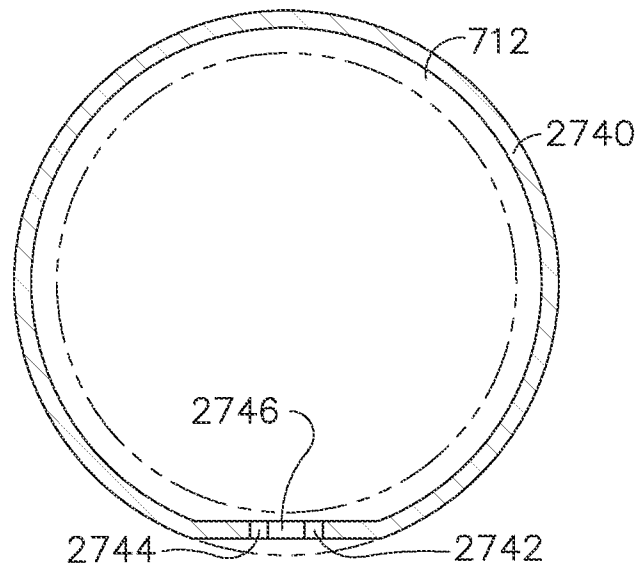


FIG. 142

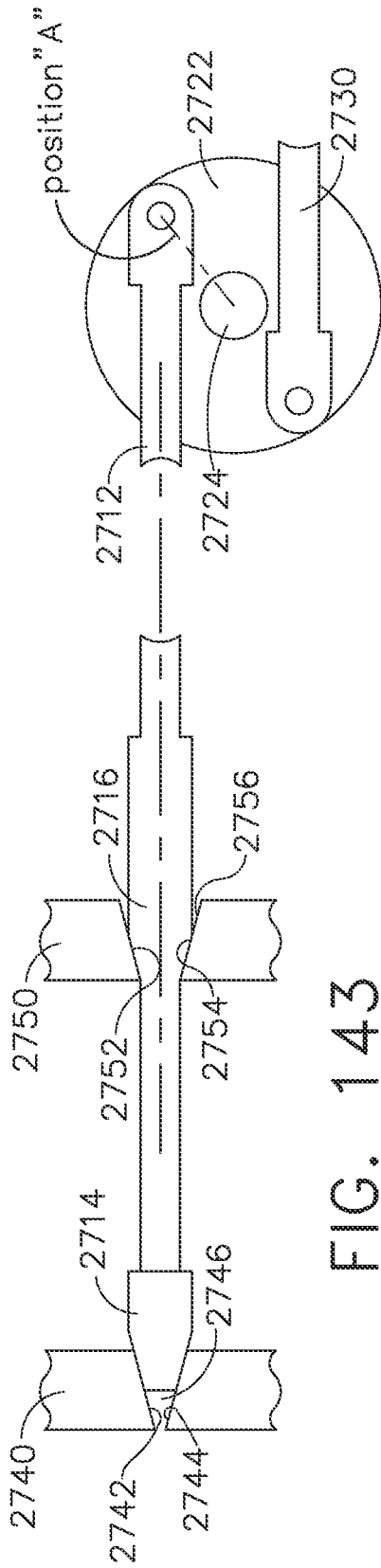


FIG. 143

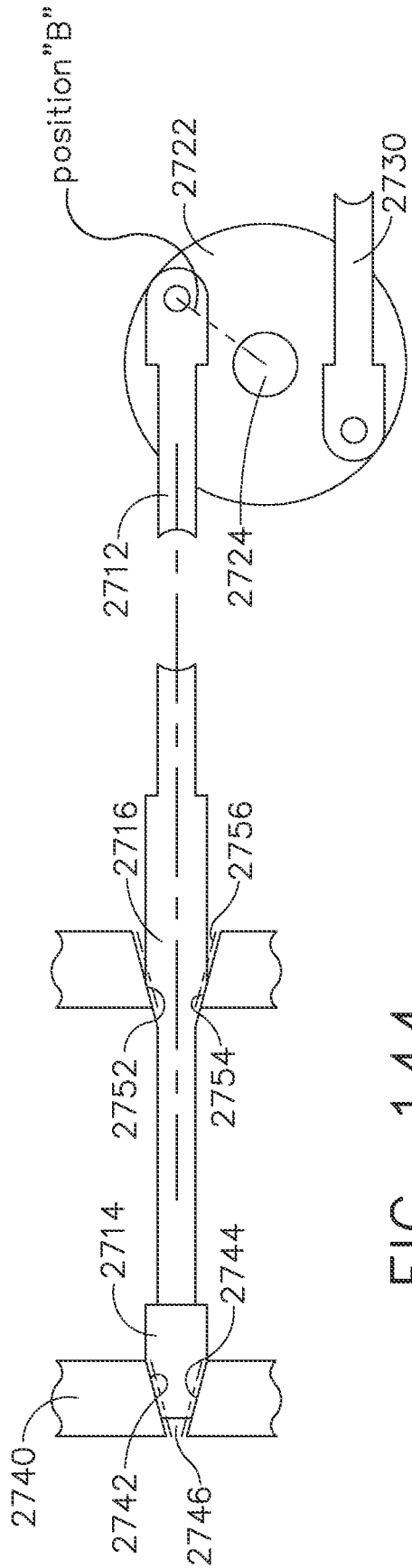
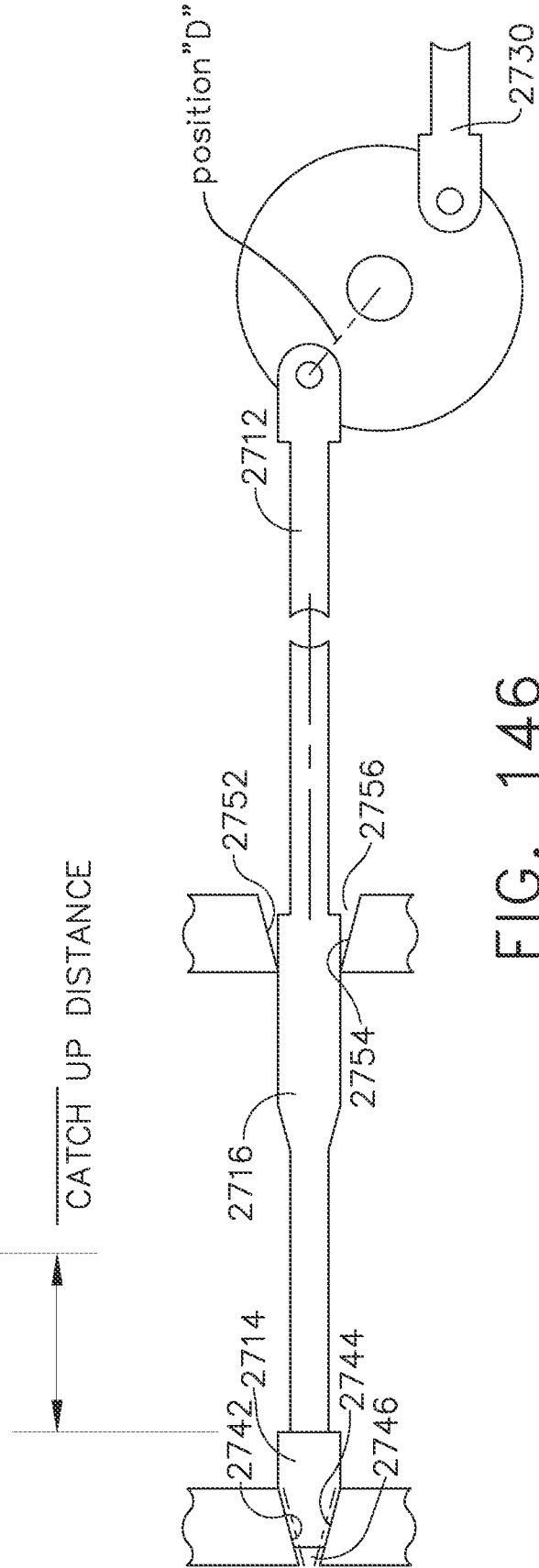
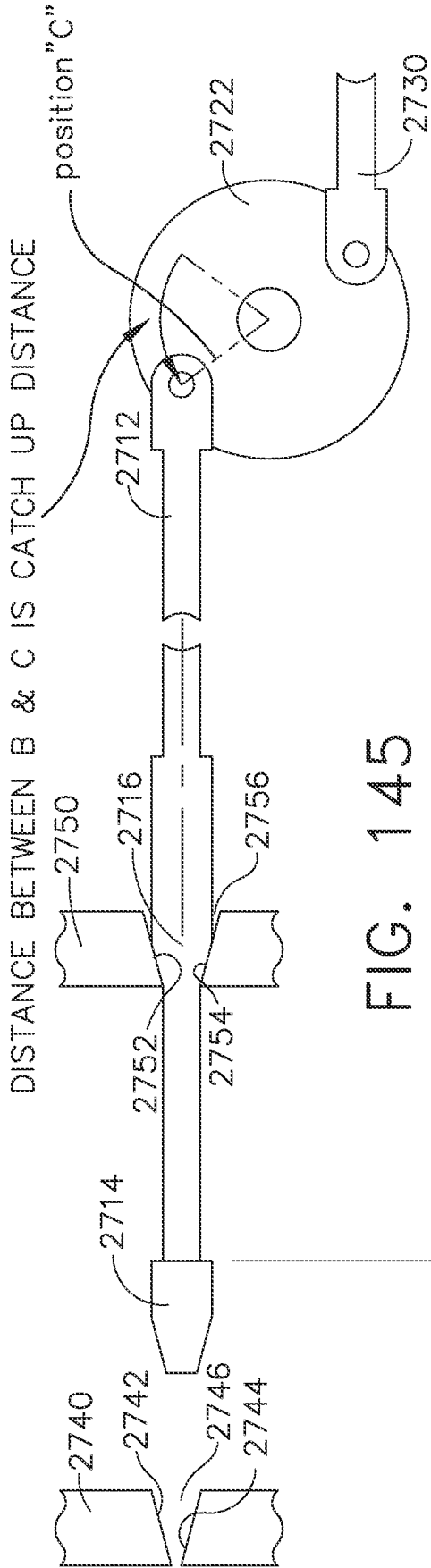


FIG. 144



107/126

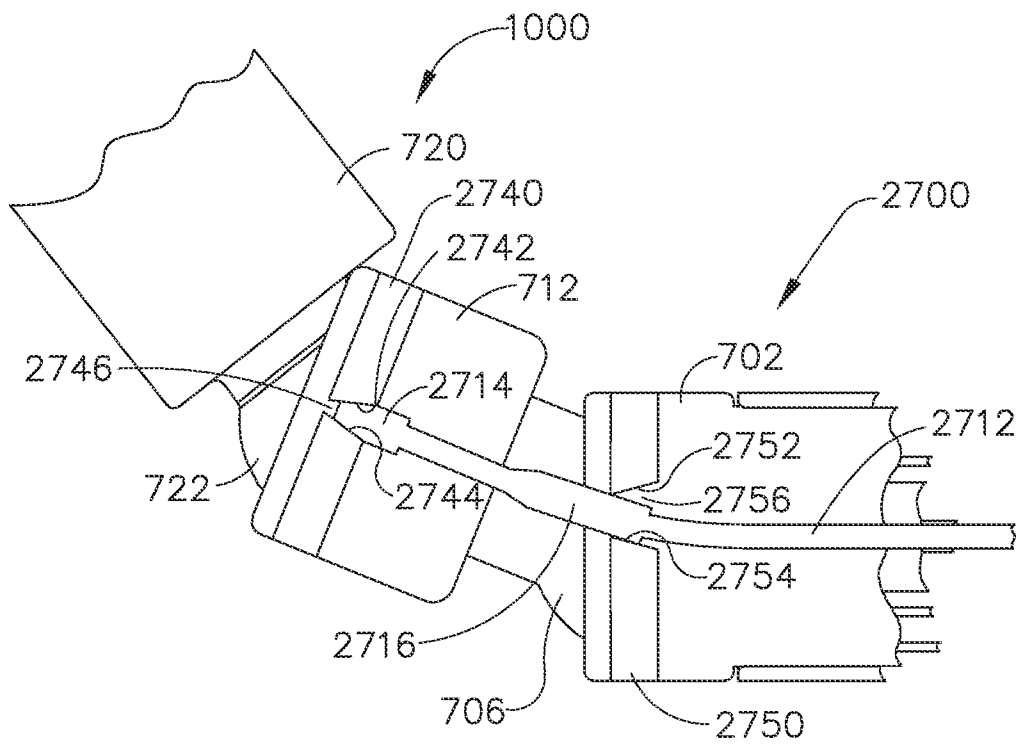


FIG. 147

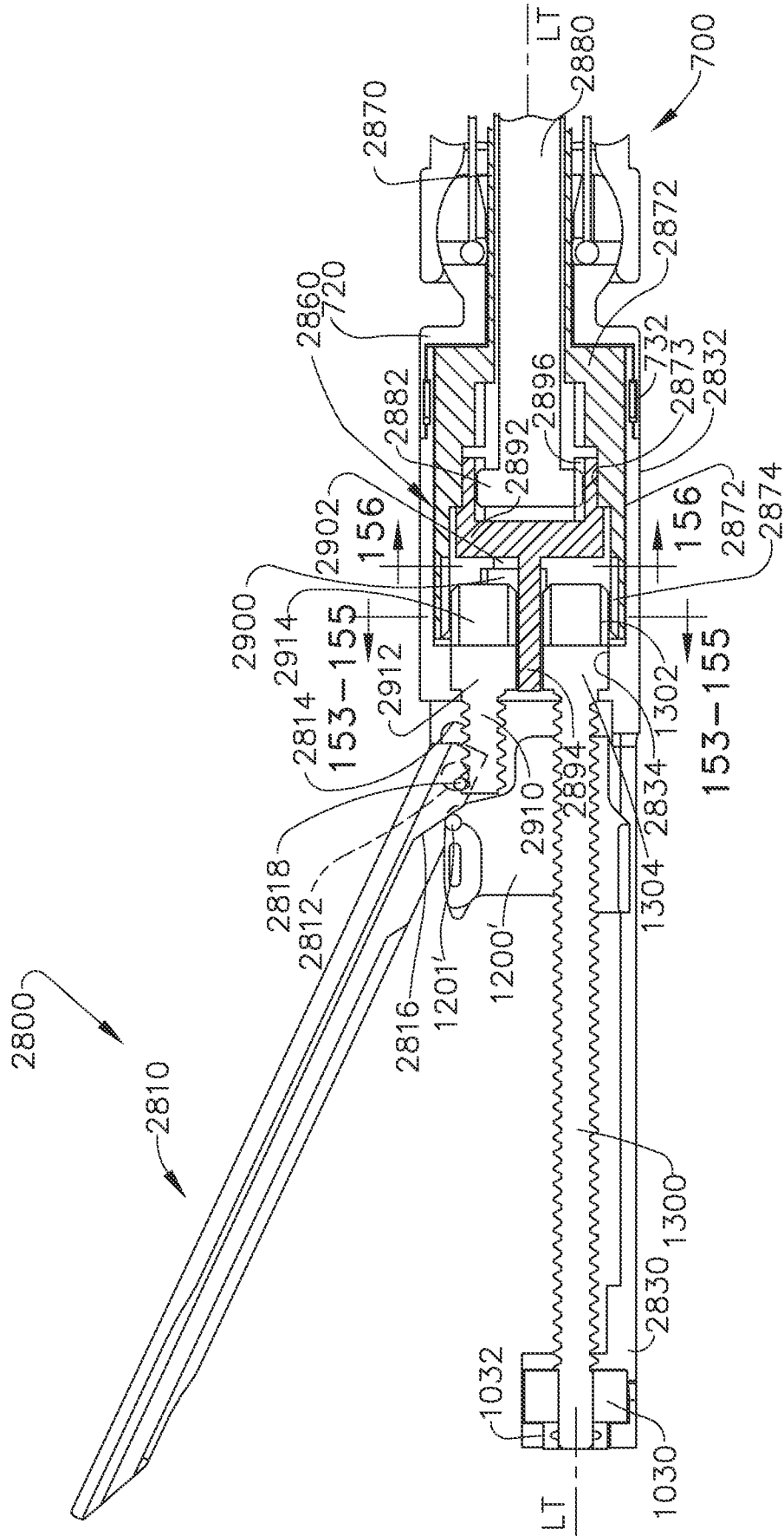


FIG. 148

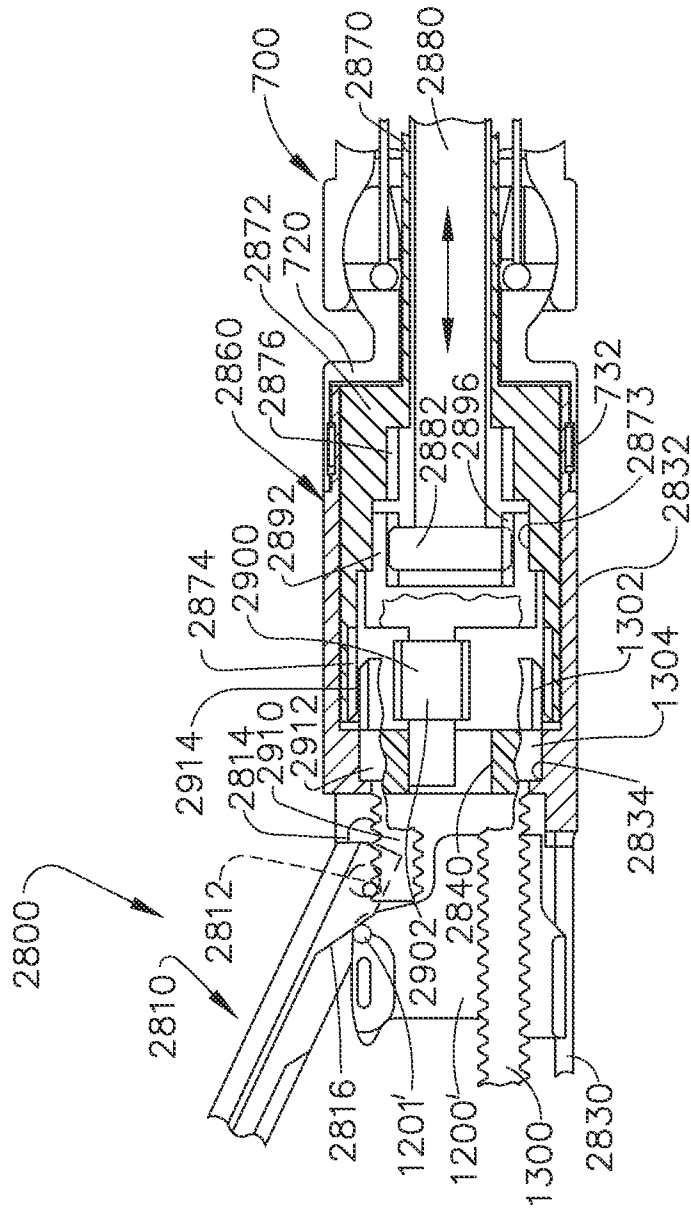


FIG. 149

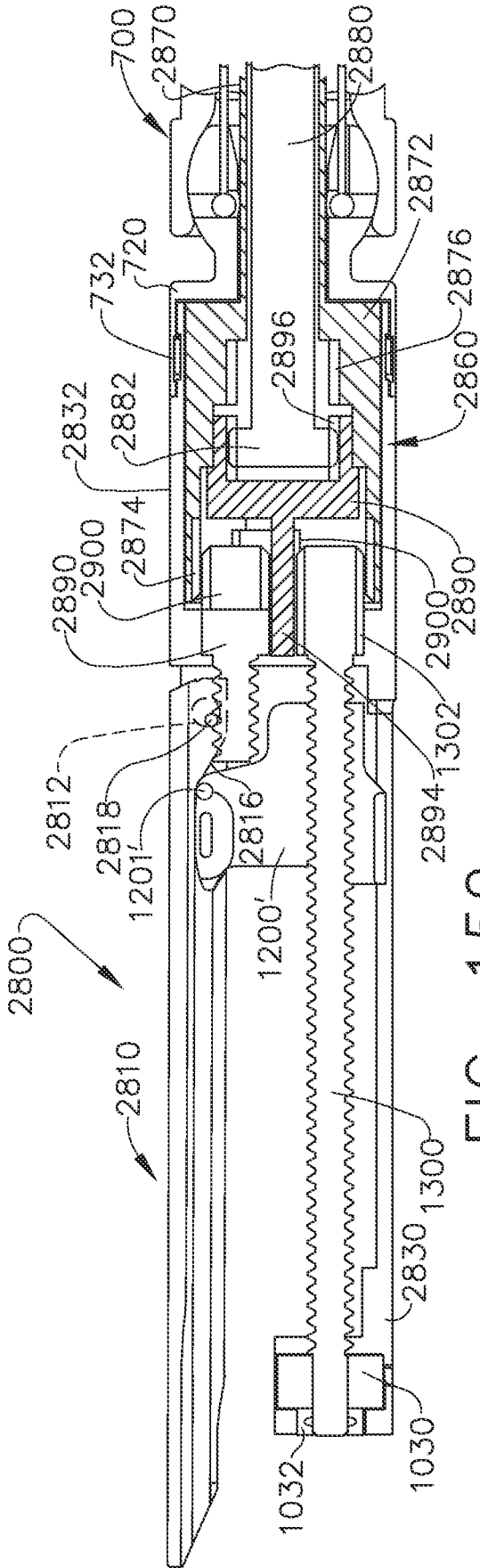


FIG. 150

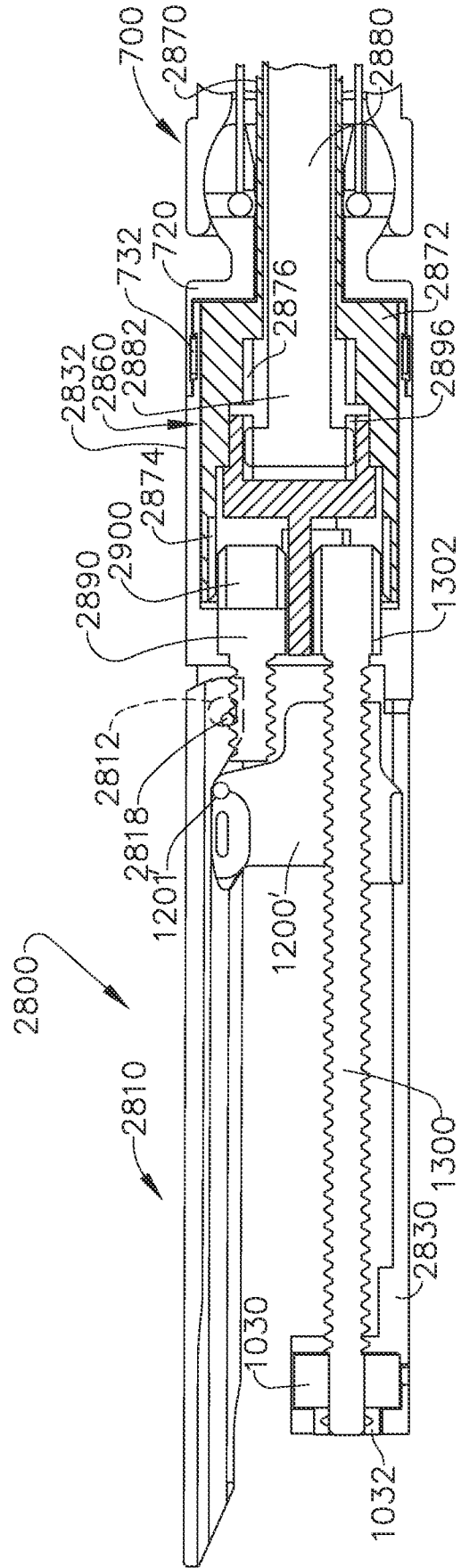


FIG. 151

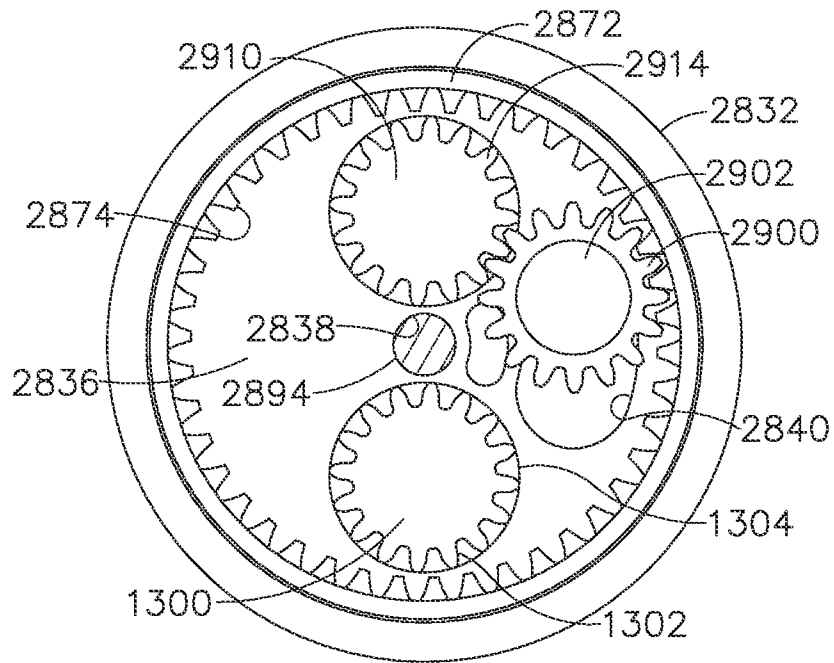


FIG. 153

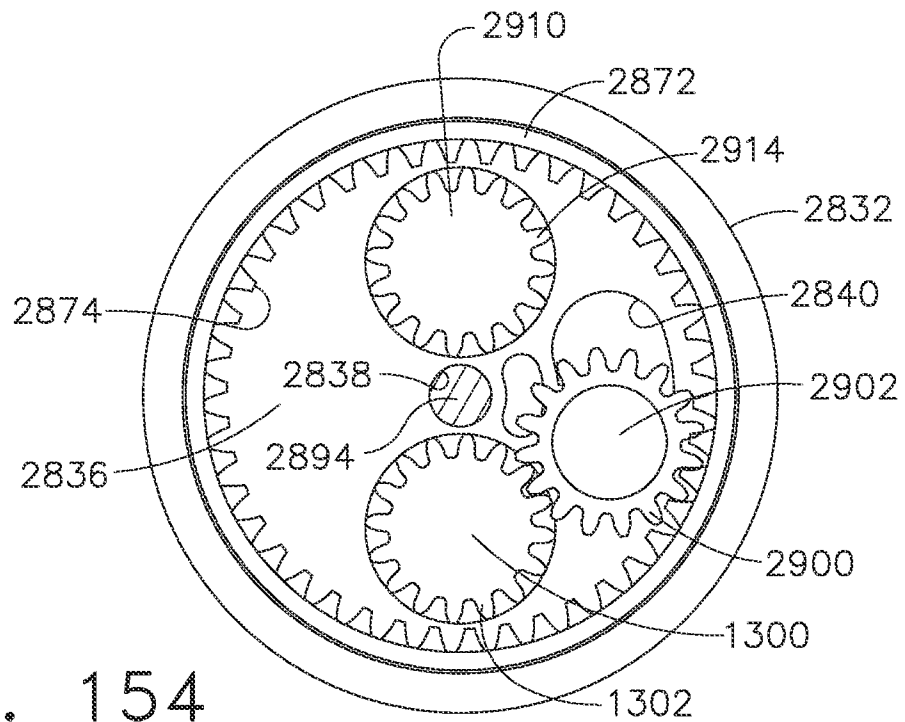


FIG. 154

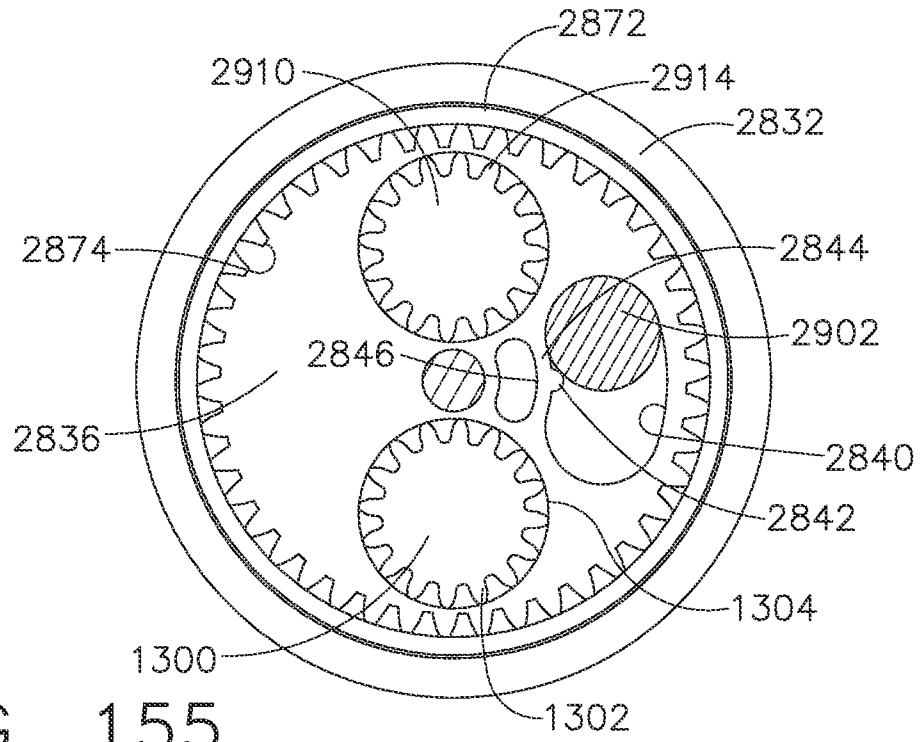


FIG. 155

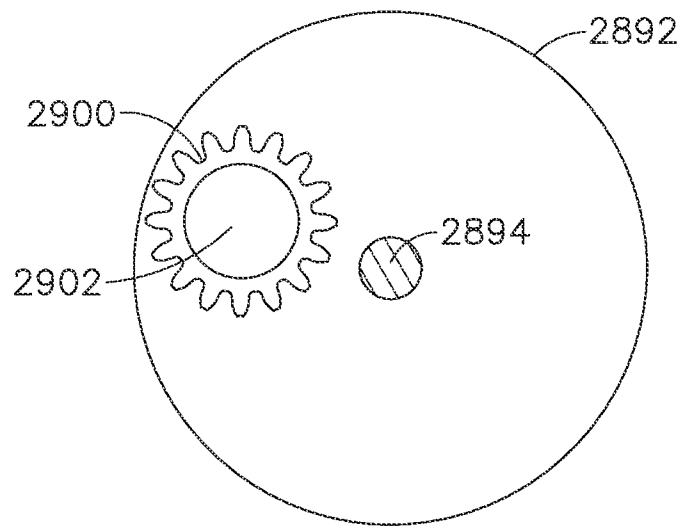


FIG. 156

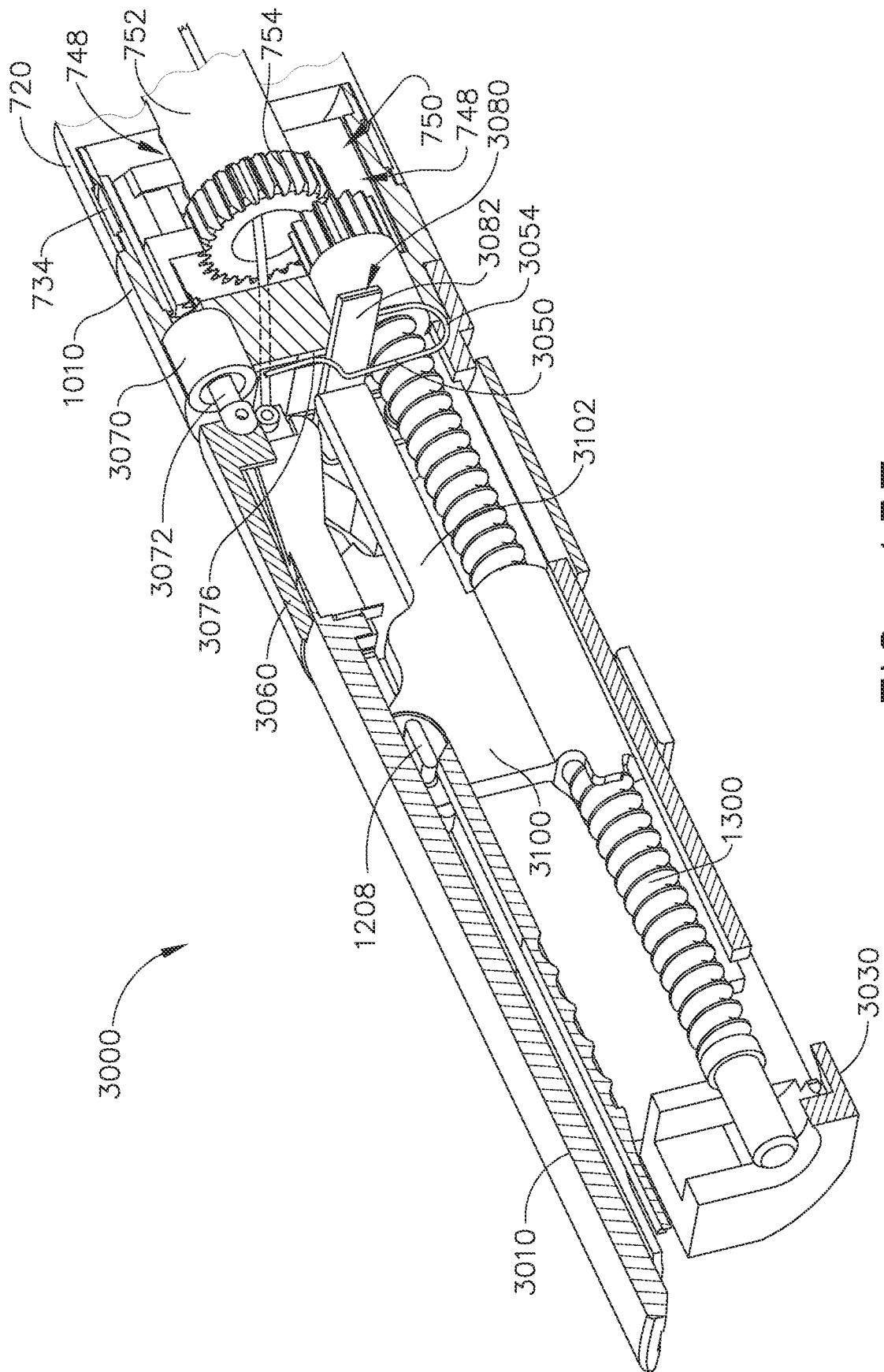


FIG. 157

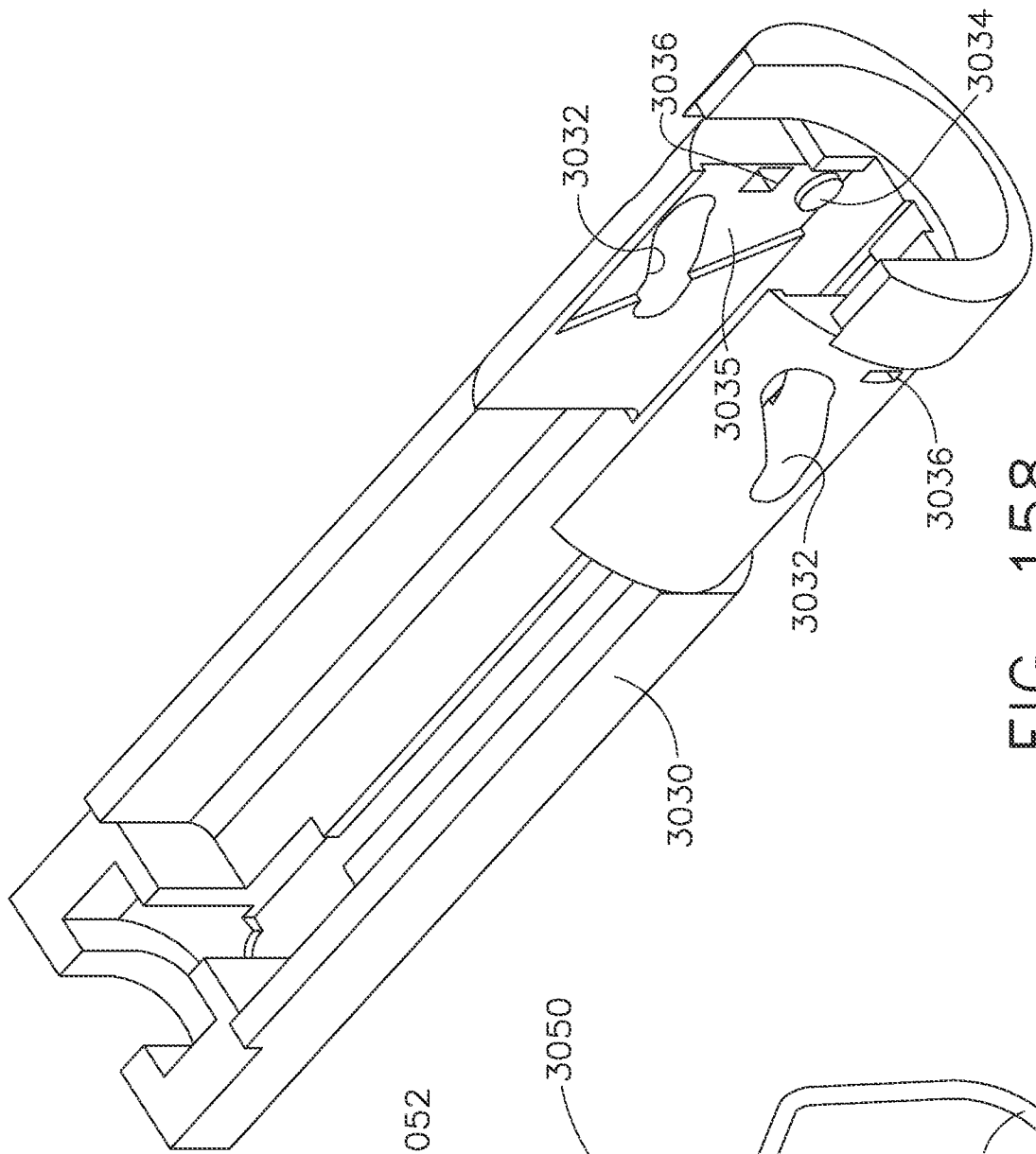


FIG. 158

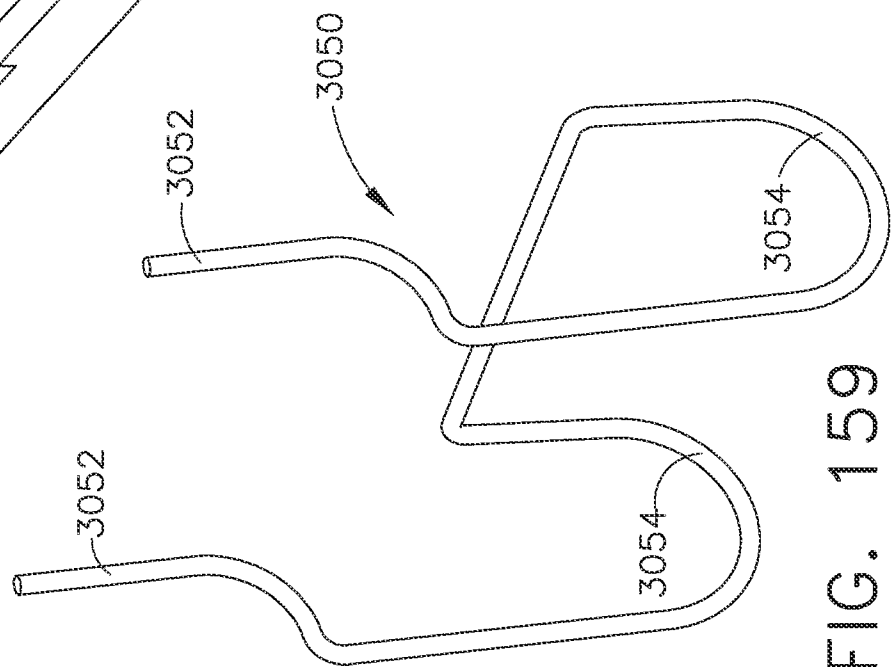


FIG. 159

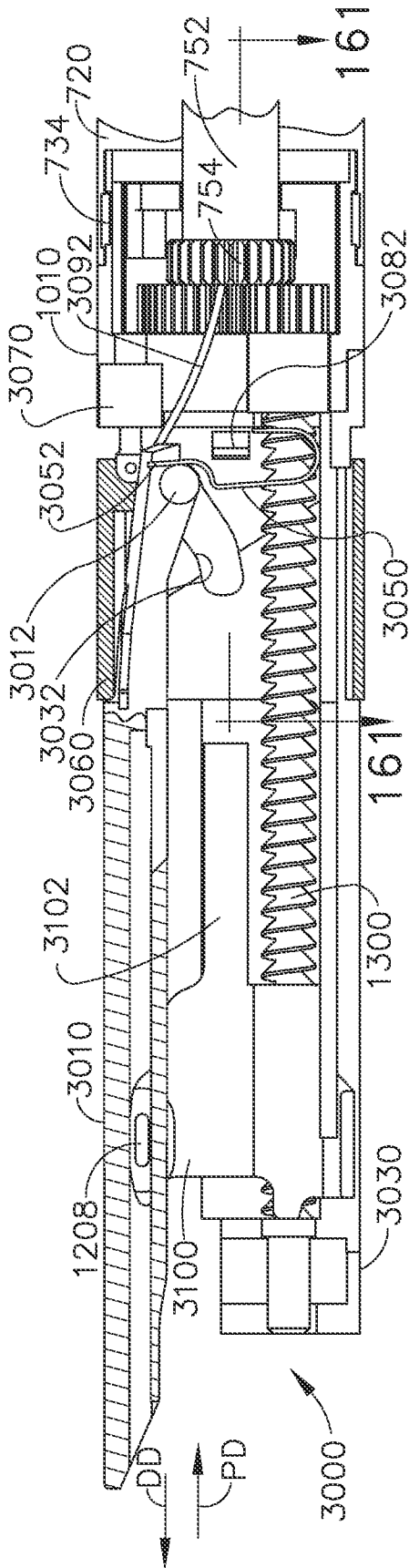


FIG. 160

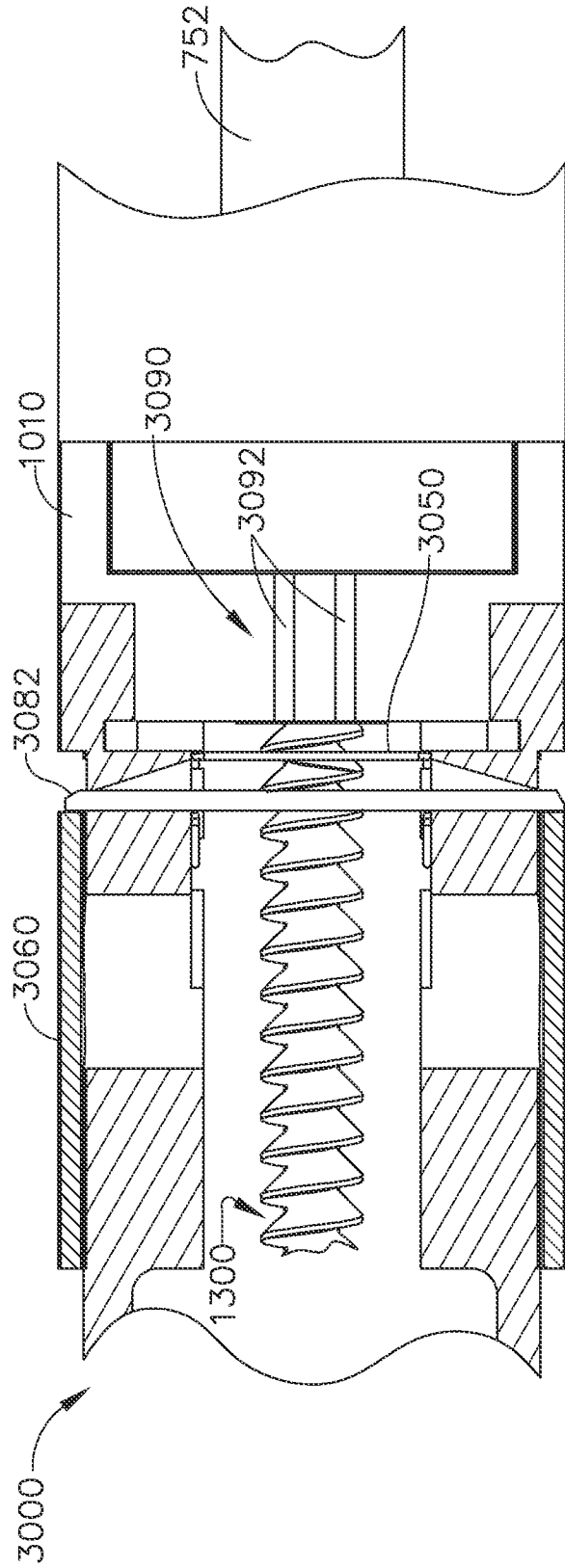


FIG. 161

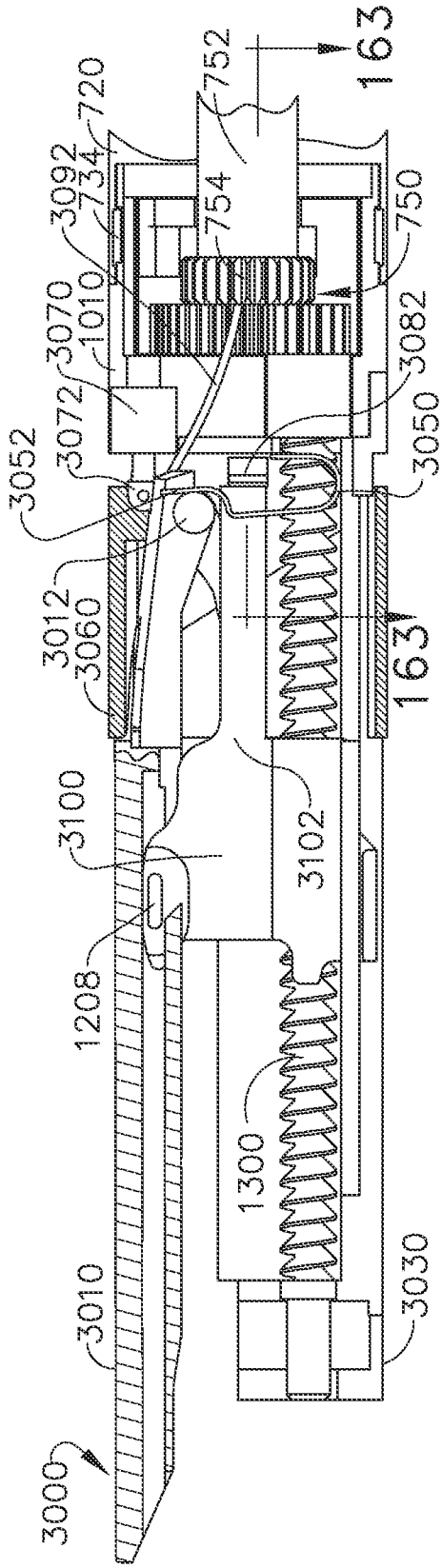


FIG. 162

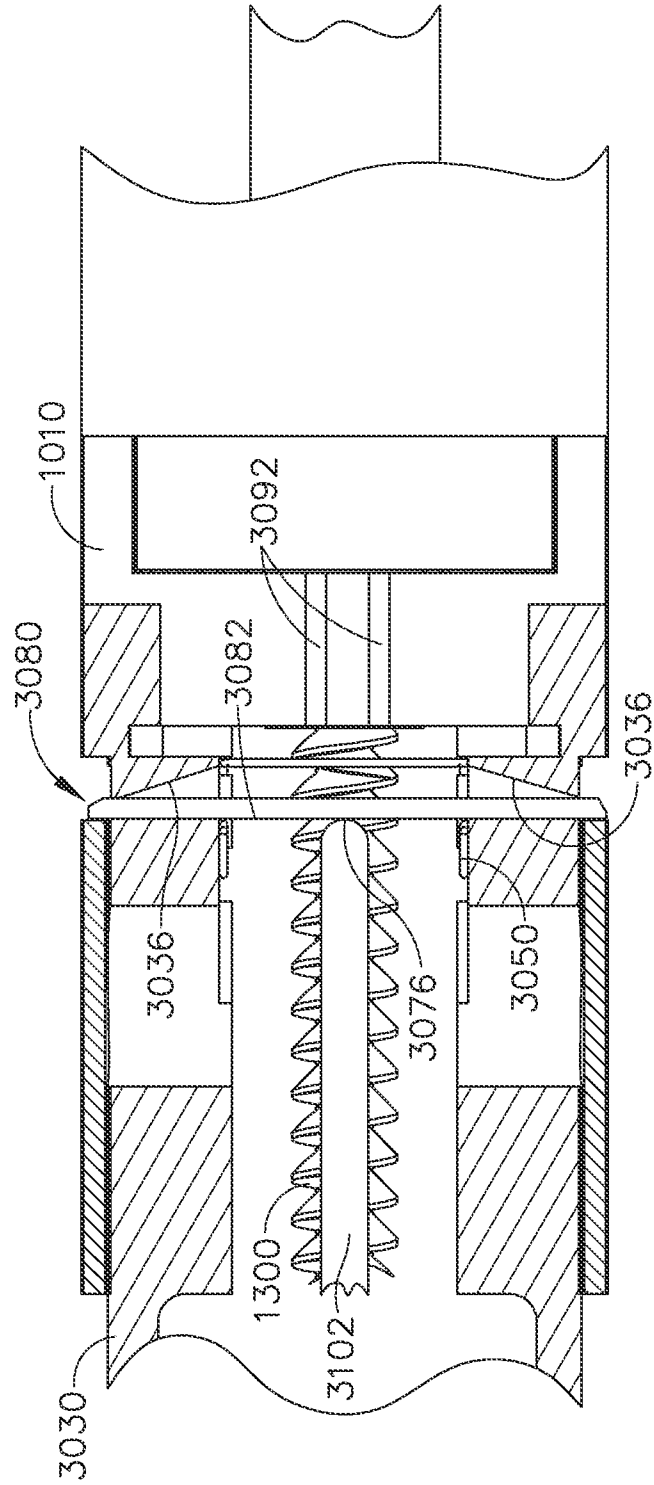


FIG. 163

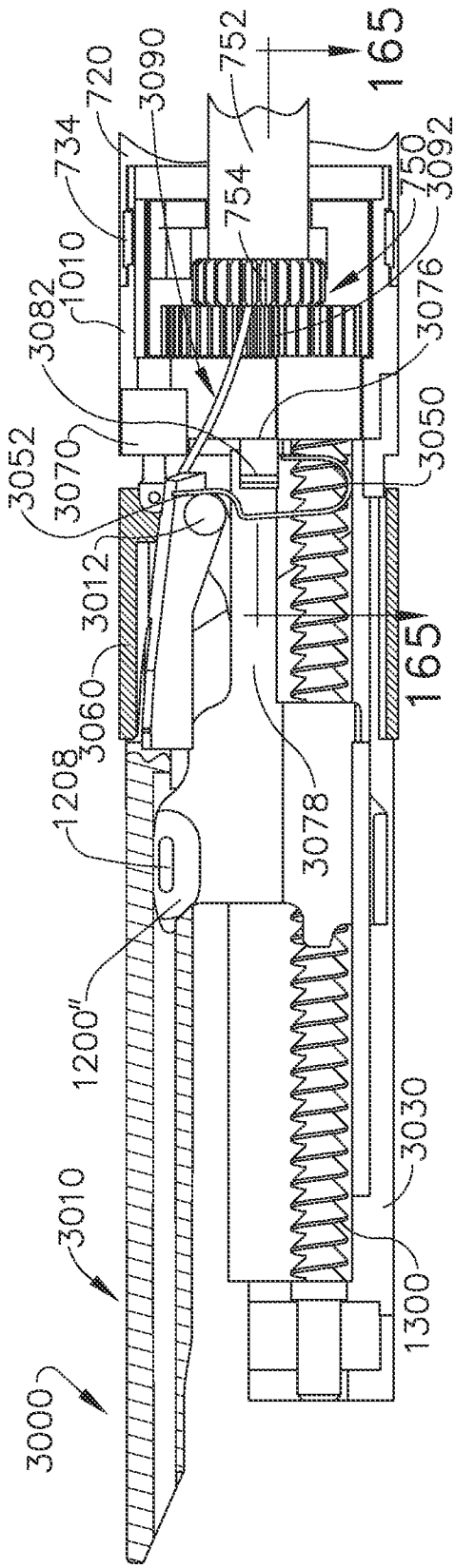


FIG. 164

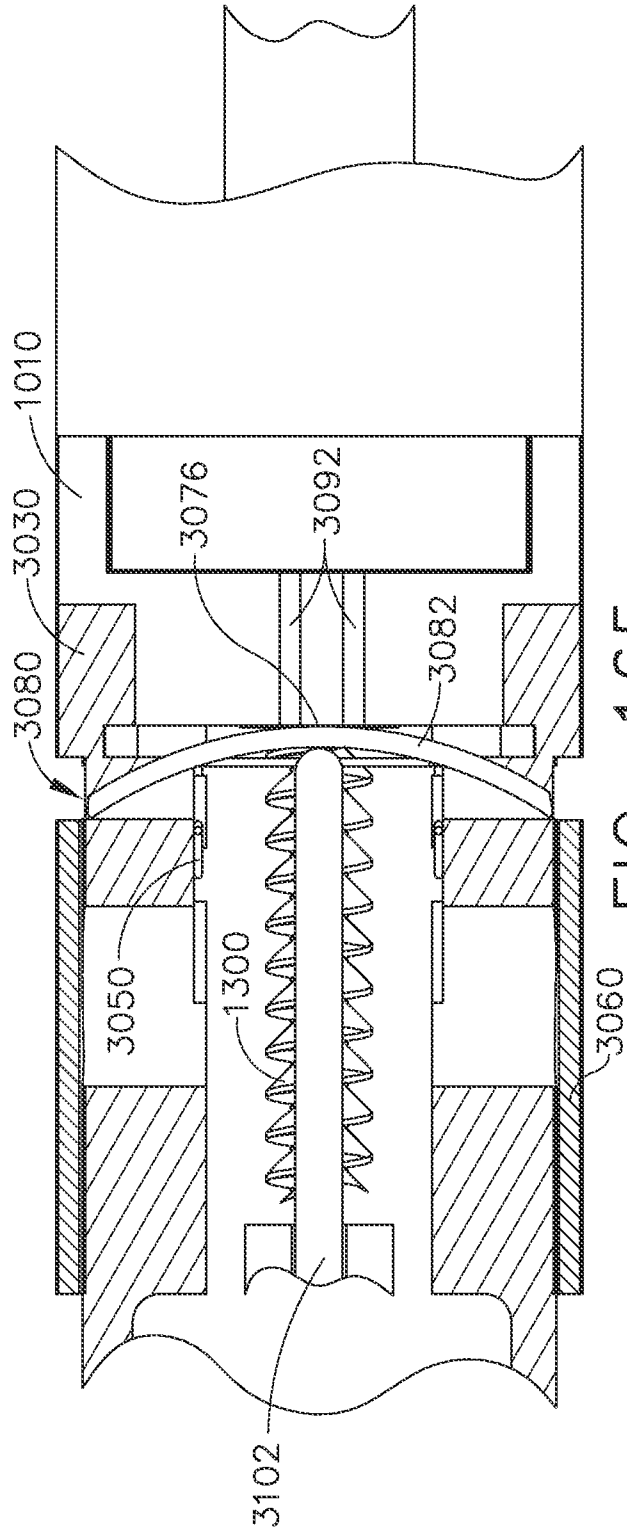


FIG. 165

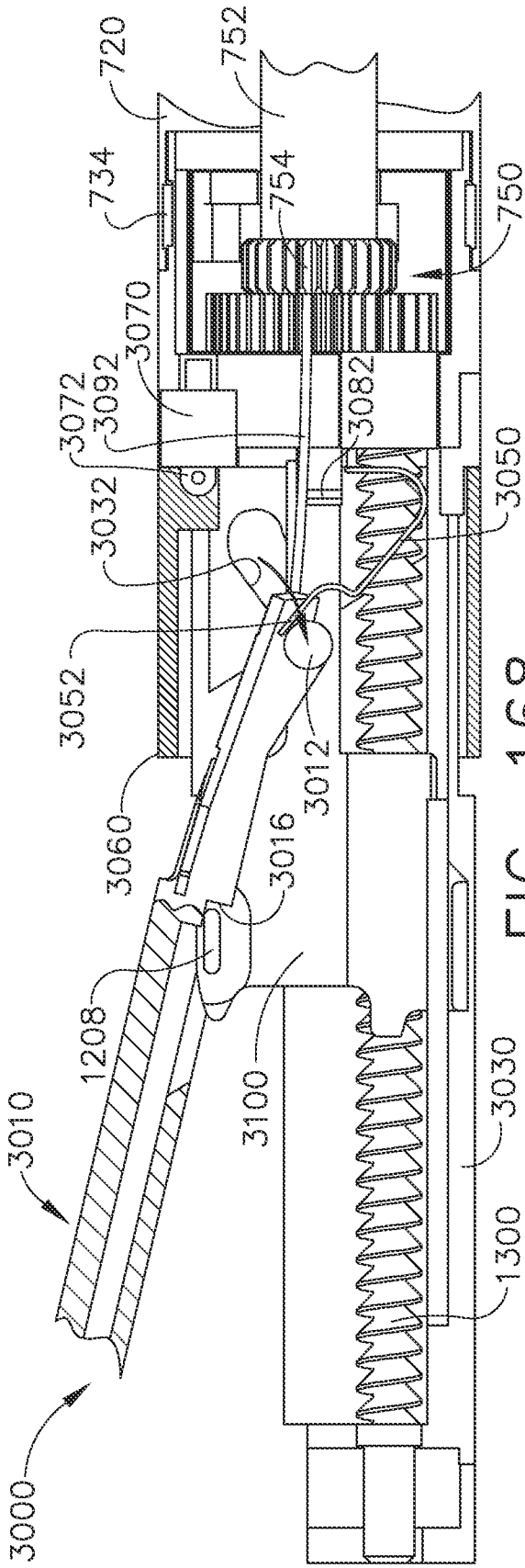


FIG. 168

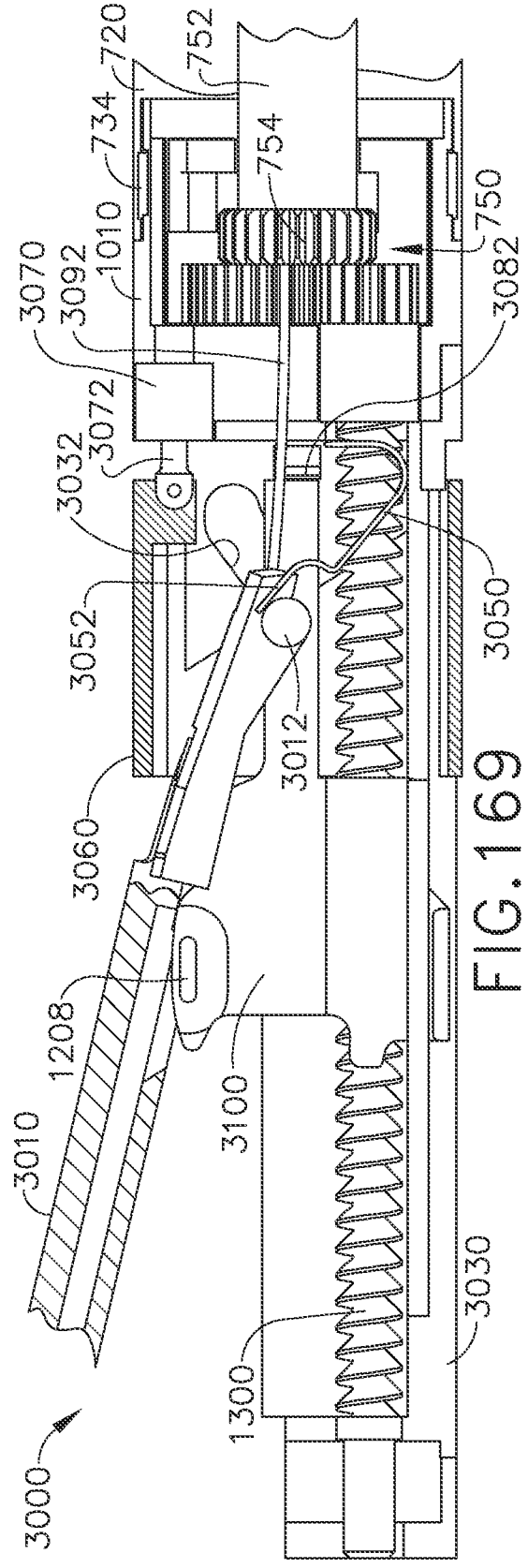


FIG. 169

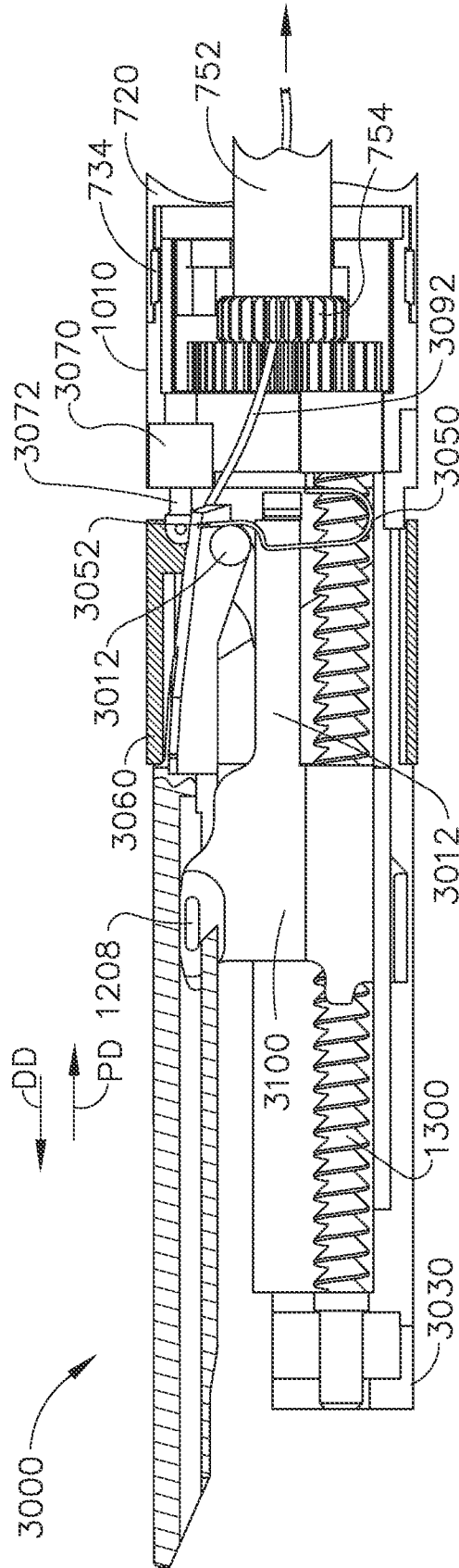


FIG.170

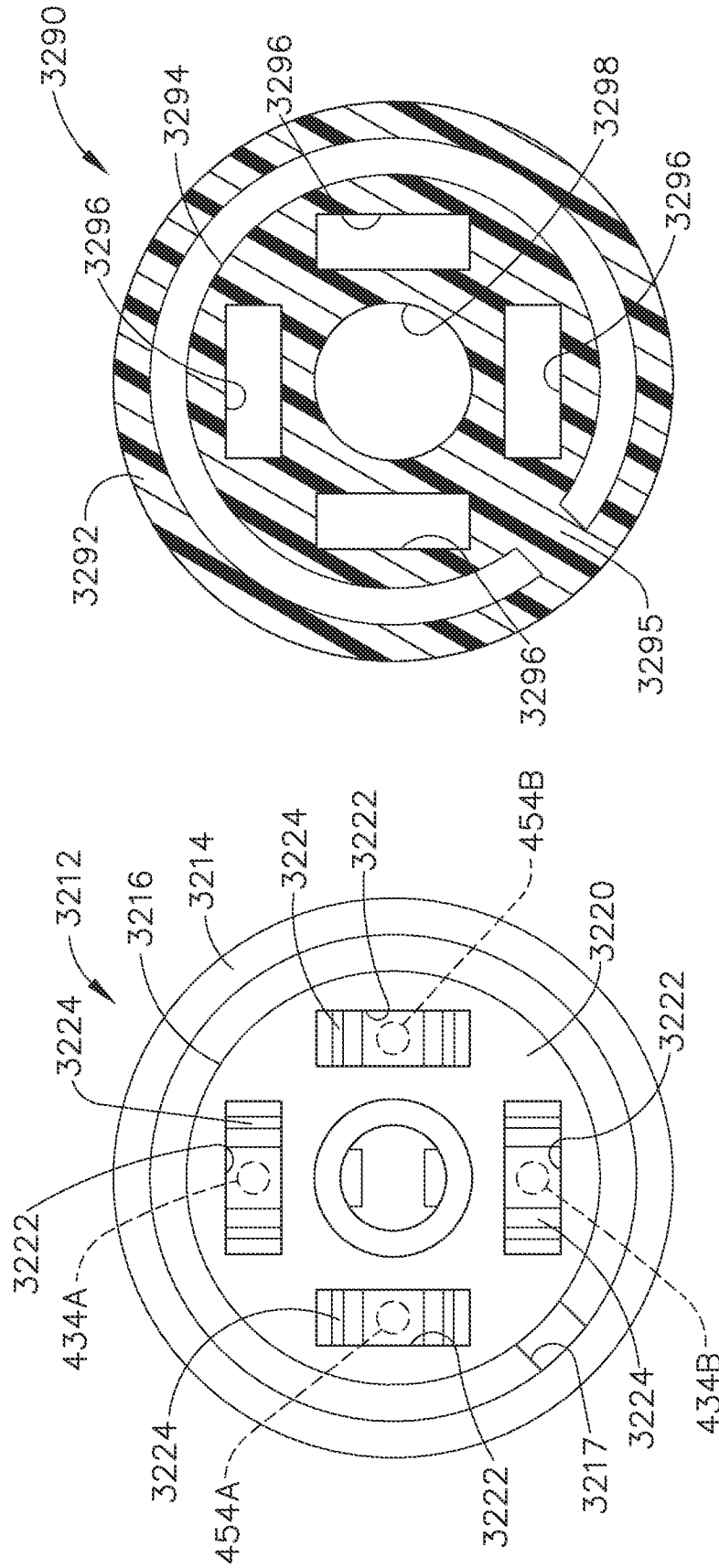


FIG. 174

FIG. 173

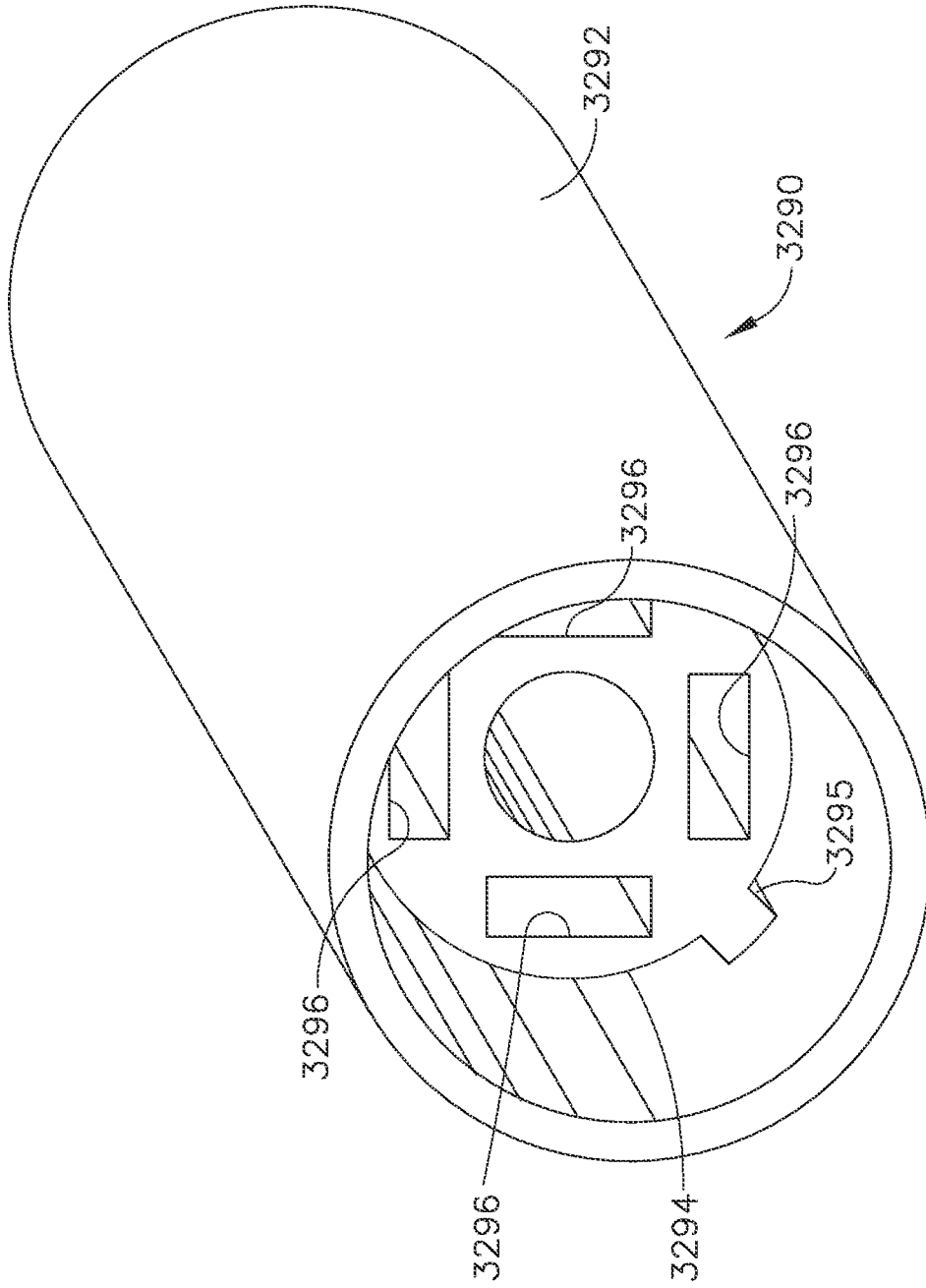


FIG. 174A

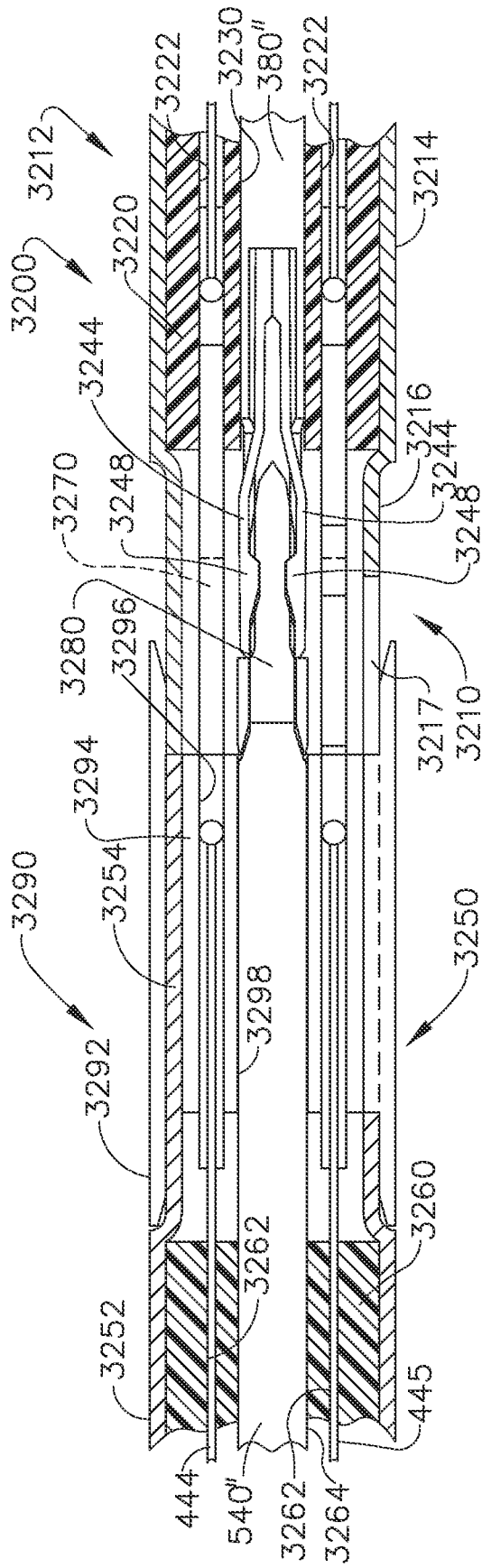


FIG. 175

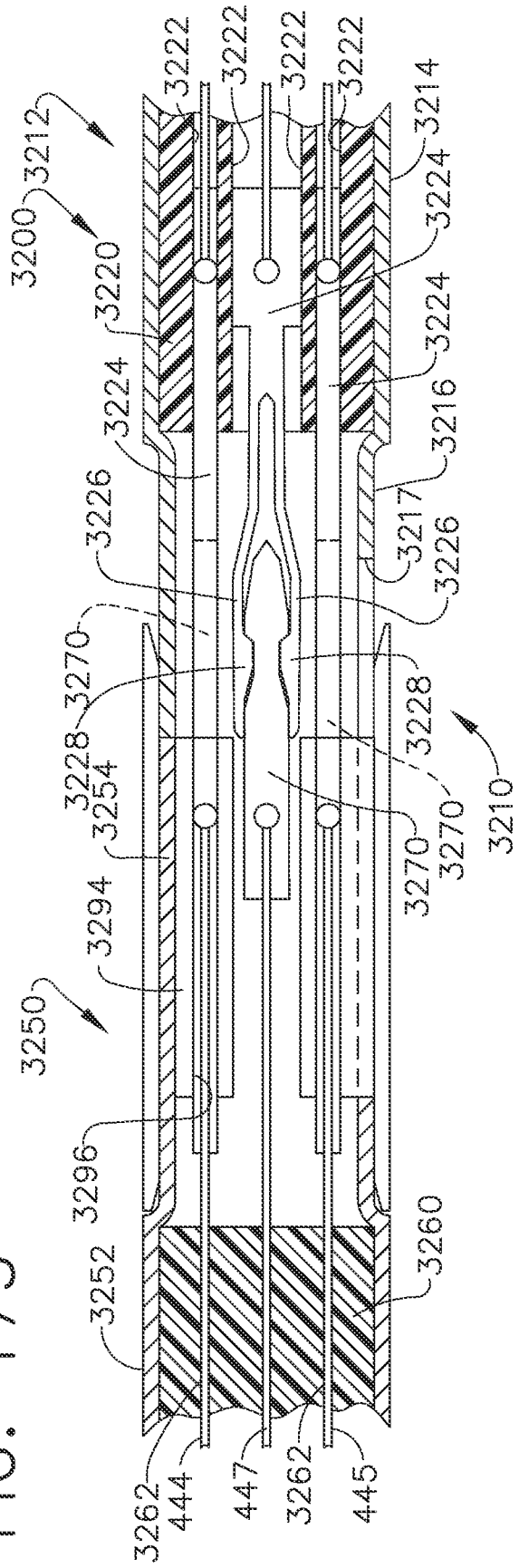


FIG. 176

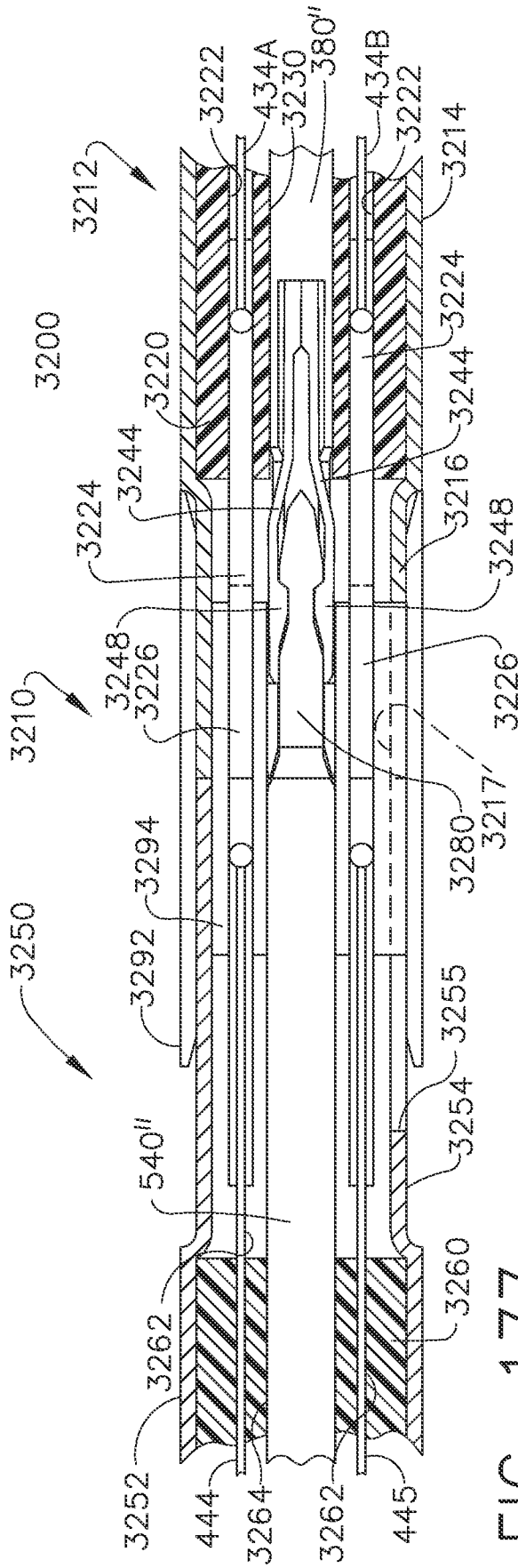


FIG. 177

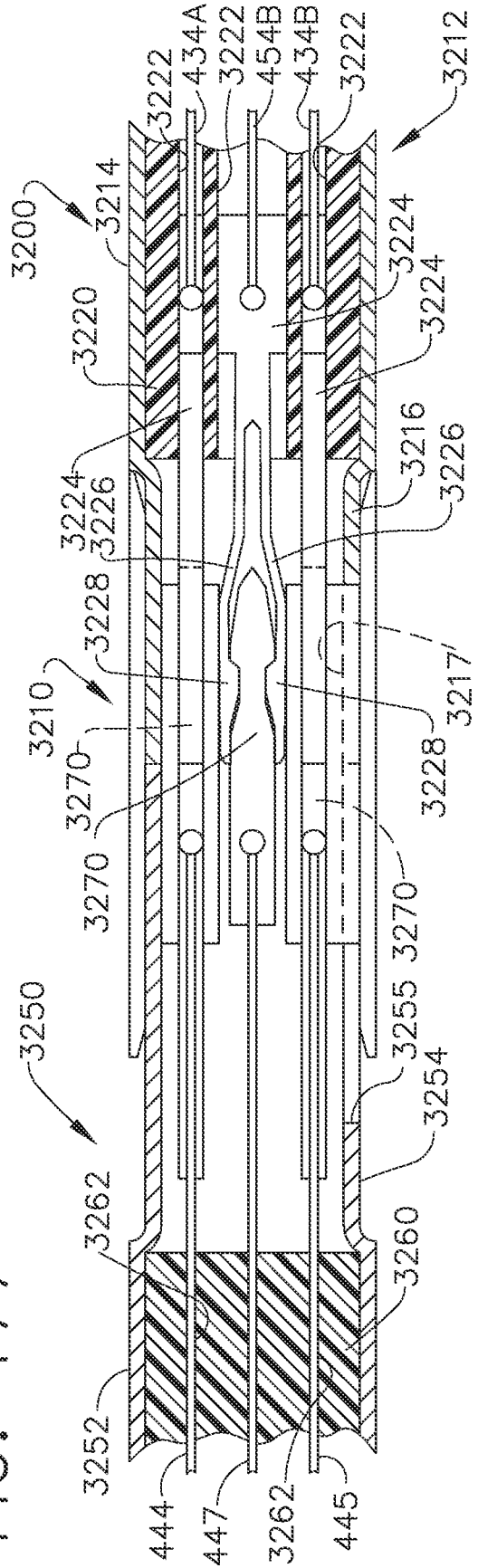


FIG. 178