



US00D686830S

(12) **United States Design Patent**
Newcomer

(10) **Patent No.:** **US D686,830 S**

(45) **Date of Patent:** **** Jul. 30, 2013**

(54) **SKATEBOARD CHAIR**

(71) Applicant: **David Newcomer**, Simi Valley, CA (US)

(72) Inventor: **David Newcomer**, Simi Valley, CA (US)

(**) Term: **14 Years**

(21) Appl. No.: **29/445,859**

(22) Filed: **Feb. 18, 2013**

(51) **LOC (9) Cl.** **06-01**

(52) **U.S. Cl.**

USPC **D6/358**

(58) **Field of Classification Search**

USPC D6/334-336, 345, 351, 358, 361,
D6/370, 374, 716, 716.1, 716.2, 716.3, 716.4;
297/181, 232, 452.63; D21/765, 766

See application file for complete search history.

(56) **References Cited**

U.S. PATENT DOCUMENTS

D78,926 S * 7/1929 Gottlob D6/370
D84,585 S * 7/1931 Ledder et al. D6/370
D308,996 S * 7/1990 Katz D21/766

D345,656 S * 4/1994 Theobald D6/370
D350,860 S * 9/1994 Greeson D6/370
D379,647 S * 6/1997 Levinthal D21/766
D394,165 S * 5/1998 Adamovich D6/358
D404,581 S * 1/1999 Saban D6/358
D451,690 S * 12/2001 Adamovich D6/349
D675,693 S * 2/2013 O'Toole D21/765

* cited by examiner

Primary Examiner — Mimosa De

(74) *Attorney, Agent, or Firm* — Richard S. Erbe

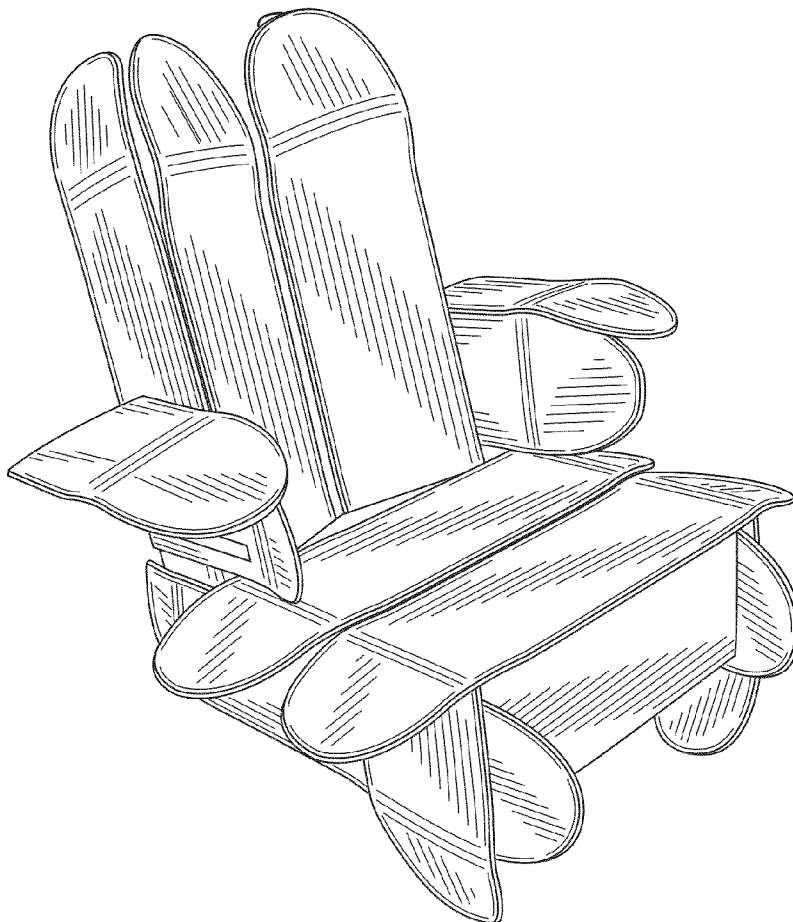
(57) **CLAIM**

The ornamental design for a skateboard chair, as shown and described.

DESCRIPTION

FIG. 1 is a perspective view of my skateboard chair;
FIG. 2 is a front elevational view of my skateboard chair;
FIG. 3 is a rear elevational view of my skateboard chair;
FIG. 4 is a left side elevational view of my skateboard chair,
the right side view being a mirror image of this view;
FIG. 5 is a top view of my skateboard chair; and,
FIG. 6 is a bottom view of my skateboard chair.

1 Claim, 3 Drawing Sheets



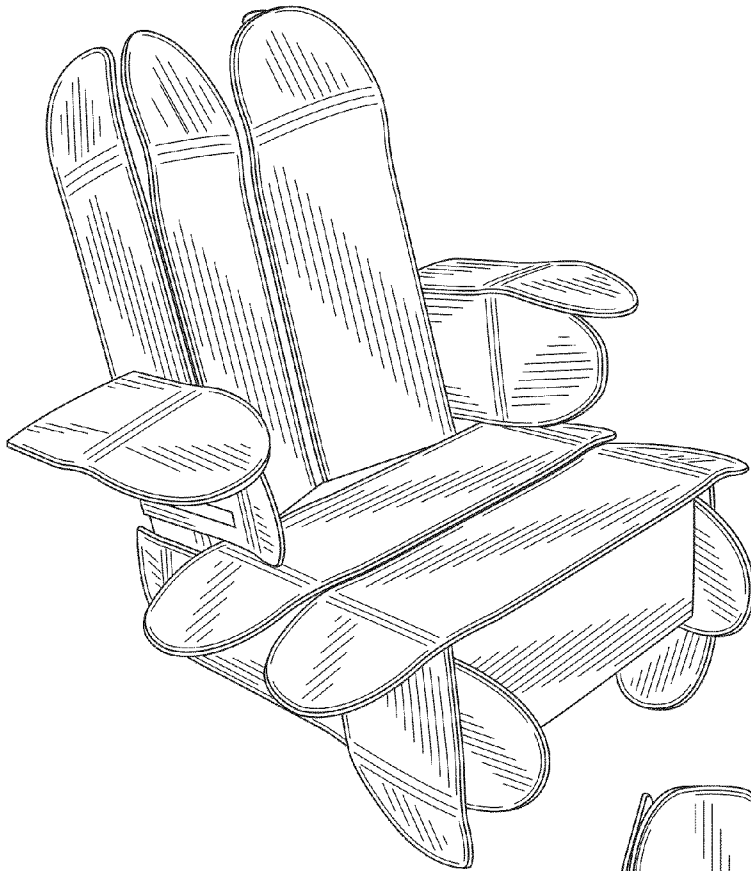


FIG. 1

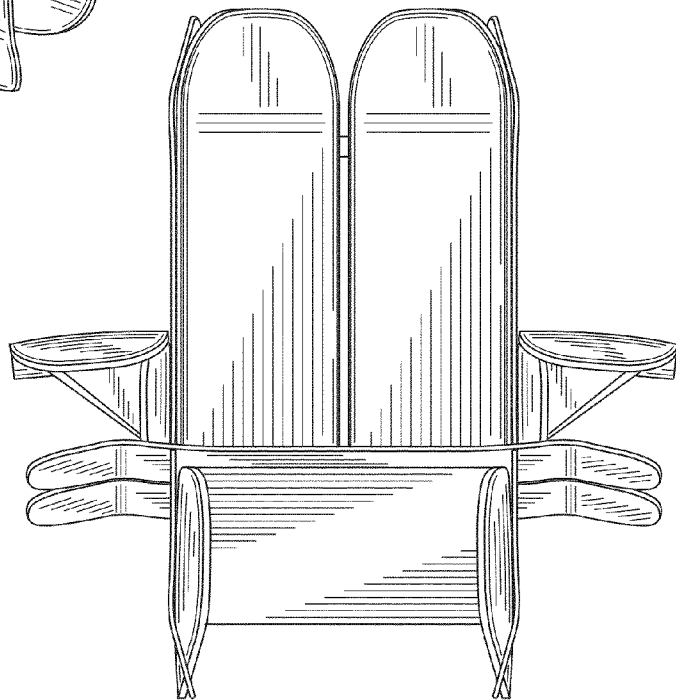


FIG. 2

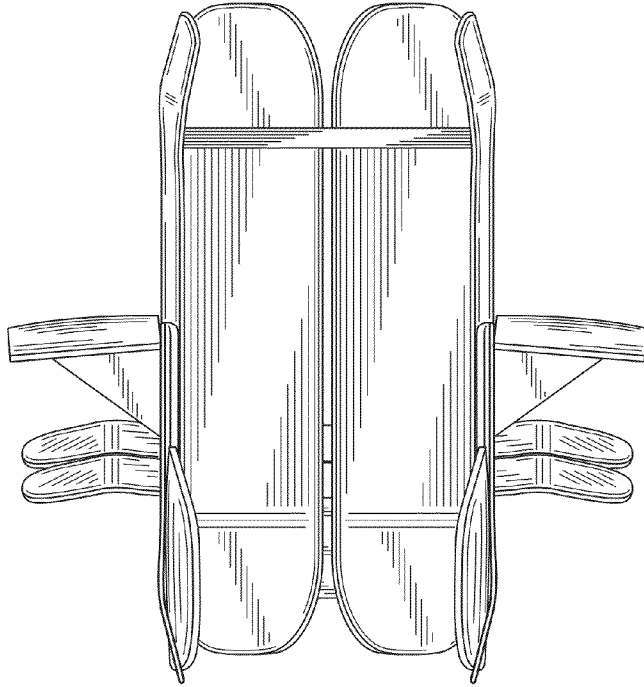


FIG. 3

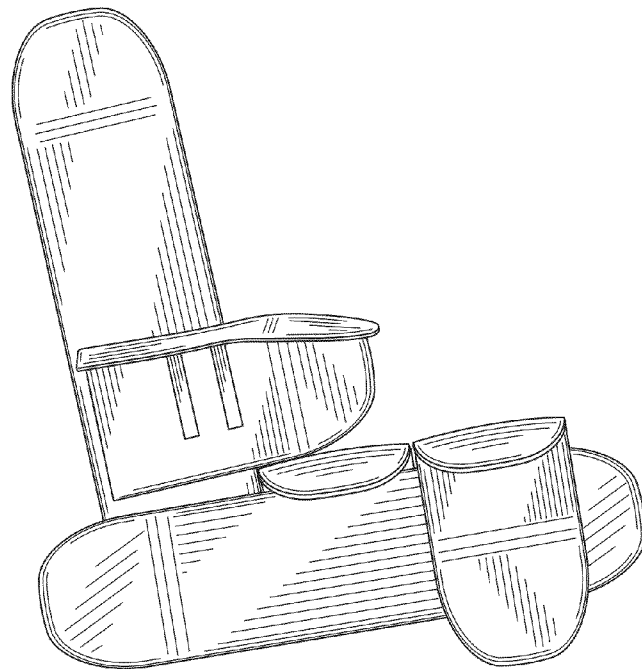


FIG. 4

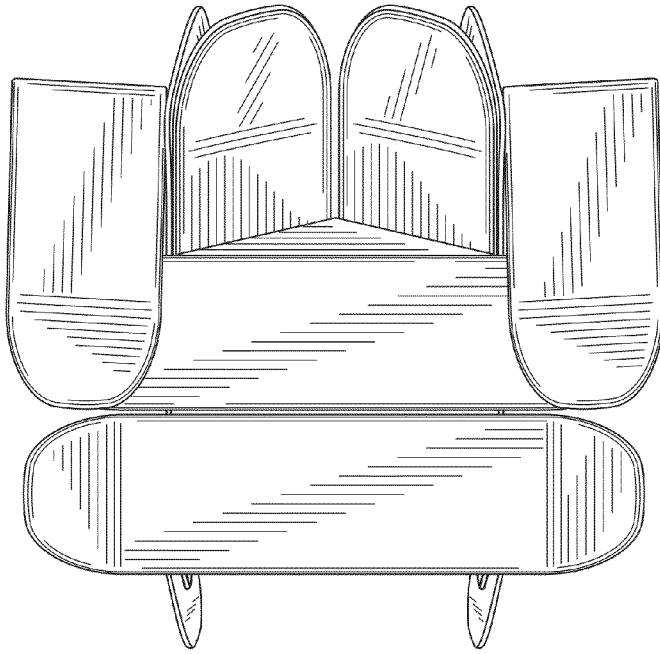


FIG. 5

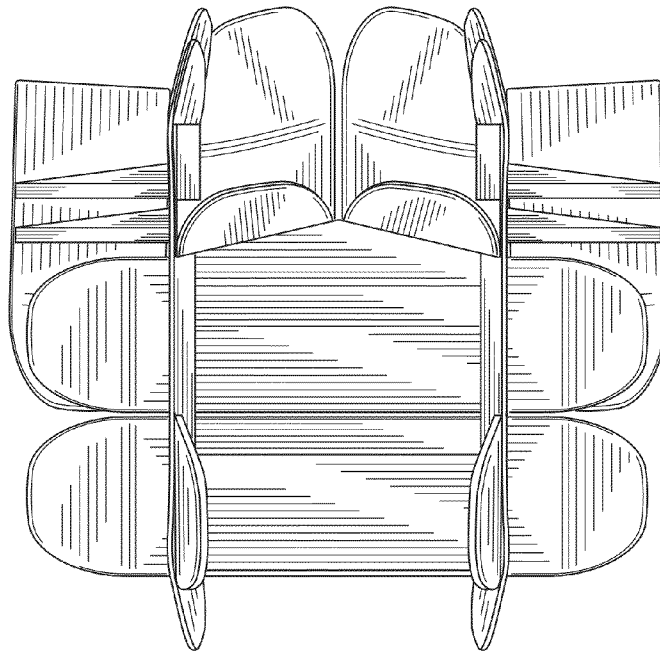


FIG. 6