



US00D367681S

# United States Patent [19]

[11] **Patent Number:** **Des. 367,681**

**Lagadyn**

[45] **Date of Patent:** **\*\*Mar. 5, 1996**

[54] **KITE**

D. 196,738	10/1963	Palmer	.....	D21/88 X
D. 232,572	8/1974	Torksak	.....	D21/88 X
D. 291,459	8/1987	Ruggles	.....	D21/88

[76] **Inventor:** **William G. Lagadyn**, P.O. Box 4385,  
LCD#1, London, Ontario, Canada, N5W  
5J2

*Primary Examiner*—Dominic Simone  
*Attorney, Agent, or Firm*—Rockey, Rifkin & Ryther

[\*\*] **Term:** **14 Years**

[57] **CLAIM**

[21] **Appl. No.:** **34,969**

The ornamental design for a kite, as shown and described.

[22] **Filed:** **Feb. 16, 1995**

### DESCRIPTION

[52] **U.S. Cl.** ..... **D21/88**

FIG. 1 is a perspective view showing my new design;

[58] **Field of Search** ..... D21/88; 244/153 R,  
244/154

FIG. 2 is an end view thereof;

FIG. 3 is a front view thereof;

FIG. 4 is a rear view thereof;

FIG. 5 is a top view thereof; and,

FIG. 6 is a bottom view thereof.

[56] **References Cited**

#### U.S. PATENT DOCUMENTS

D. 160,910 11/1950 Woford ..... D21/88 X

**1 Claim, 2 Drawing Sheets**

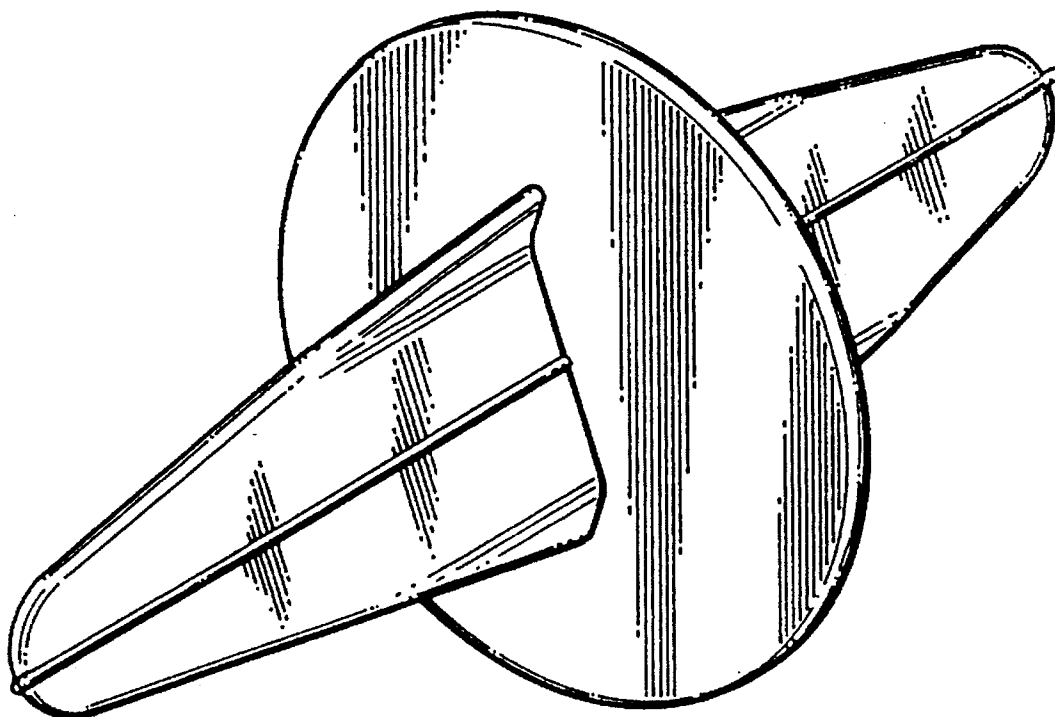


FIG. 1.

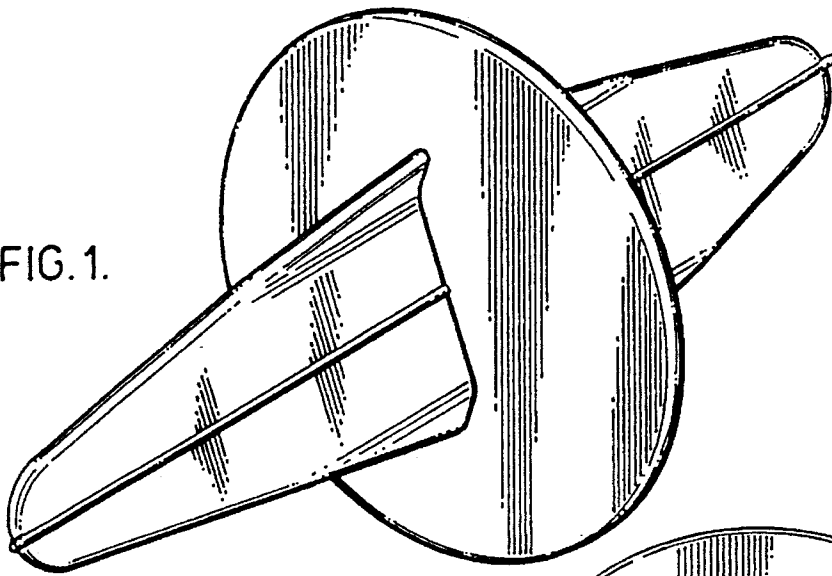


FIG. 2.

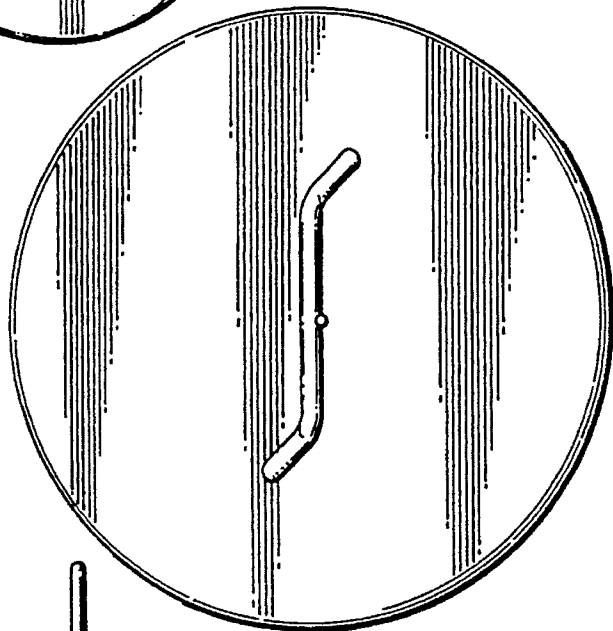


FIG. 3.

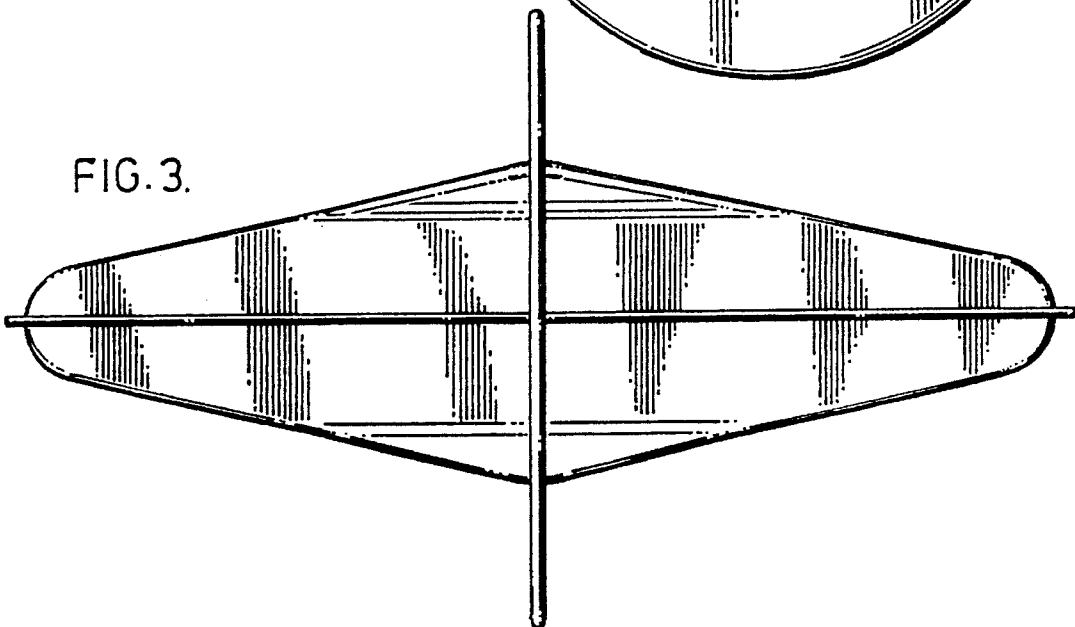


FIG. 4.

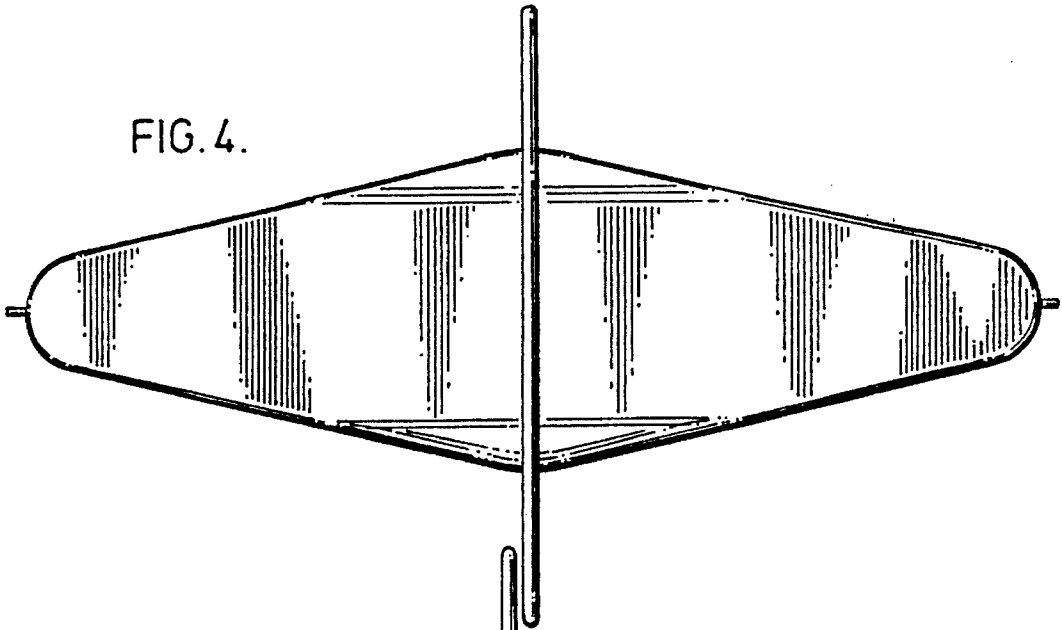


FIG. 5.

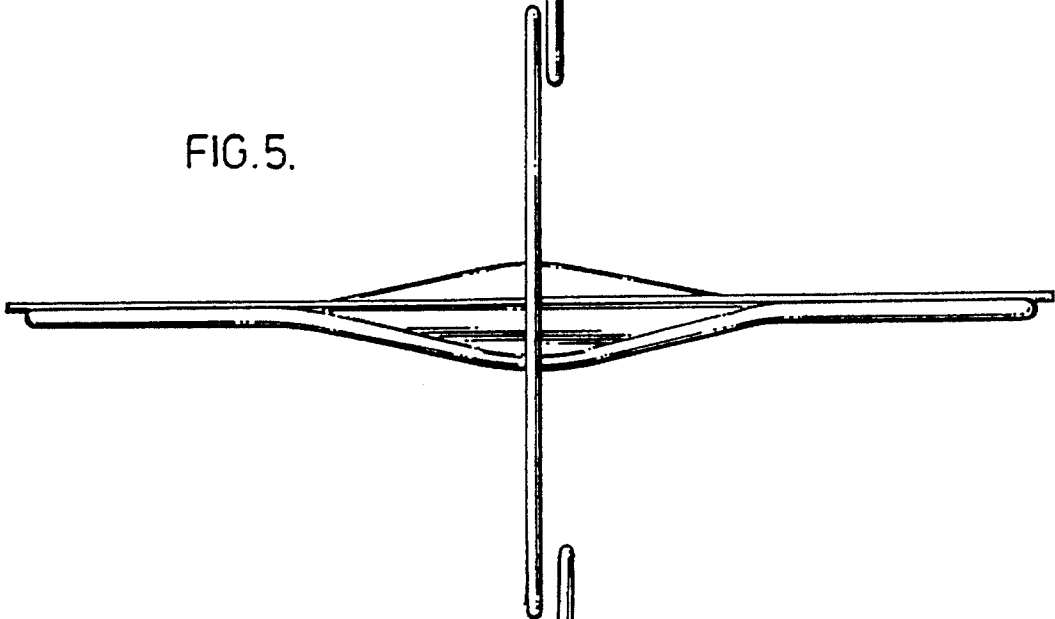


FIG. 6.

