



US0D1069003S

(12) **United States Design Patent**
Hartwig

(10) **Patent No.:** **US D1,069,003 S**

(45) **Date of Patent:** **** Apr. 1, 2025**

(54) **DIVOT REPAIR APPARATUS**

(71) Applicant: **Kevin Hartwig**, Colorado Springs, CO (US)

(72) Inventor: **Kevin Hartwig**, Colorado Springs, CO (US)

(**) Term: **15 Years**

(21) Appl. No.: **29/858,424**

(22) Filed: **Oct. 31, 2022**

(51) **LOC (15) Cl.** **21-02**

(52) **U.S. Cl.**
USPC **D21/793**

(58) **Field of Classification Search**
USPC D21/708, 717, 718, 733, 759, 771, 789, D21/793, 794; D8/51, 52, 54, 55, 56, 58
CPC A63B 57/50; A63B 57/0032; A63B 57/00
See application file for complete search history.

(56) **References Cited**

U.S. PATENT DOCUMENTS

D306,057 S *	2/1990	Vaughan, Jr.	D21/793
5,405,133 A *	4/1995	Upton	A63B 57/50
				172/378
D406,509 S *	3/1999	Rivera	D8/55
D407,621 S *	4/1999	Koon	D8/55
D410,828 S *	6/1999	Rivera	D8/55
D414,098 S *	9/1999	Eggert	D8/51
D426,446 S *	6/2000	Chau	D8/55
6,162,137 A *	12/2000	Jones	A24F 13/26
				7/158
D452,544 S *	12/2001	Bato	D21/793
D456,475 S *	4/2002	Aldrich	D21/793
D471,944 S *	3/2003	Freitas	D21/793
6,800,042 B2 *	10/2004	Braithwaite	A63B 57/353
				473/406

(Continued)

OTHER PUBLICATIONS

“Suspension” available 2012 , [online], [site visited Feb. 20, 2024]. Retrieved from Internet, URL:https://www.gerbergear.com/en-us/shop/multi-tools/all-multi-tools/suspension-22-01471 (Year: 2012).*

(Continued)

Primary Examiner — Michelle E. Wilson
Assistant Examiner — Rochel L Rimelspach-Zare
(74) *Attorney, Agent, or Firm* — WILLIAMS INTELLECTUAL PROPERTY

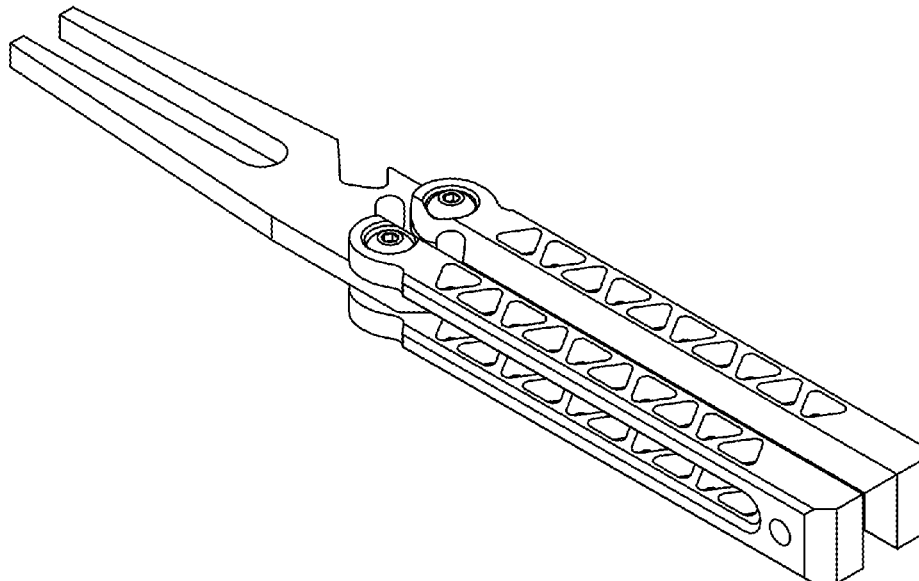
(57) **CLAIM**

The ornamental design for a divot repair apparatus as shown and described.

DESCRIPTION

FIG. 1 is a bottom plan view of the ornamental design for a divot repair apparatus in an open configuration; FIG. 2 is a top plan view in an open configuration; FIG. 3 is a left side elevation view in an open configuration; FIG. 4 is a bottom perspective view in an open configuration; FIG. 5 is a bottom plan view of the counter-rotating divot repair apparatus in a closed configuration; FIG. 6 is a top plan view in a closed configuration; FIG. 7 is a left side elevation view in a closed configuration; FIG. 8 is a bottom perspective view in a closed configuration; FIG. 9 is a bottom perspective view of the divot repair apparatus shown in a partially opened or closed configuration; FIG. 10 is a bottom plan view, with the divot repair apparatus shown in a partially open or closed configuration; FIG. 11 is a bottom perspective exploded view, with the divot repair apparatus shown in a partially opened or closed configuration; and, FIG. 12 is a top perspective exploded elevation view, with the divot repair apparatus shown in a partially opened or closed configuration.

1 Claim, 12 Drawing Sheets



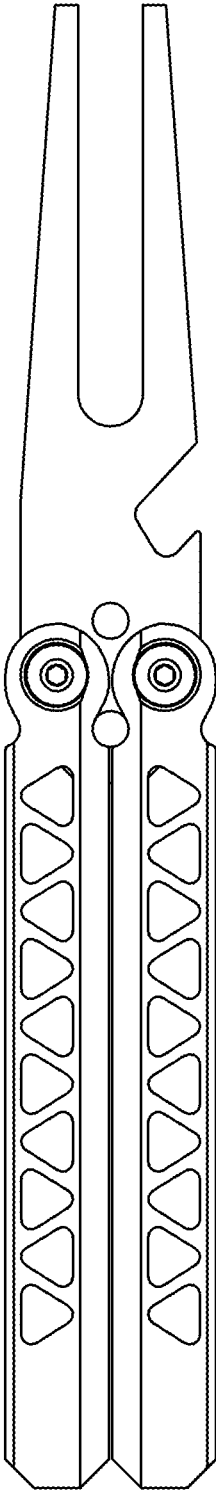


FIG.1

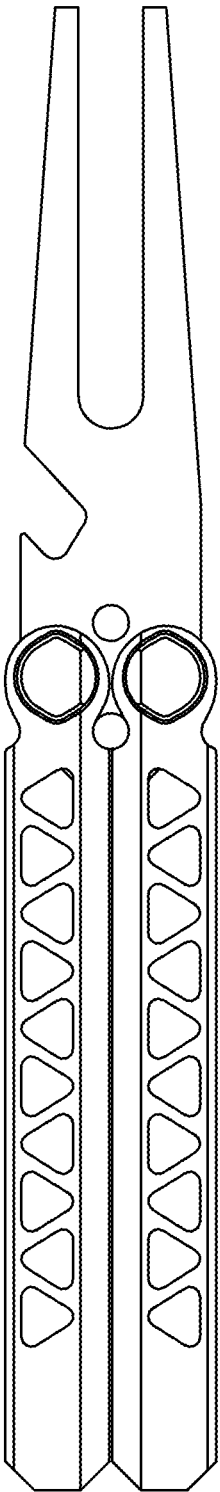


FIG.2

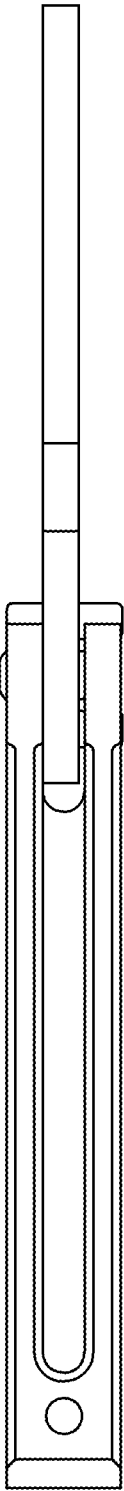


FIG.3

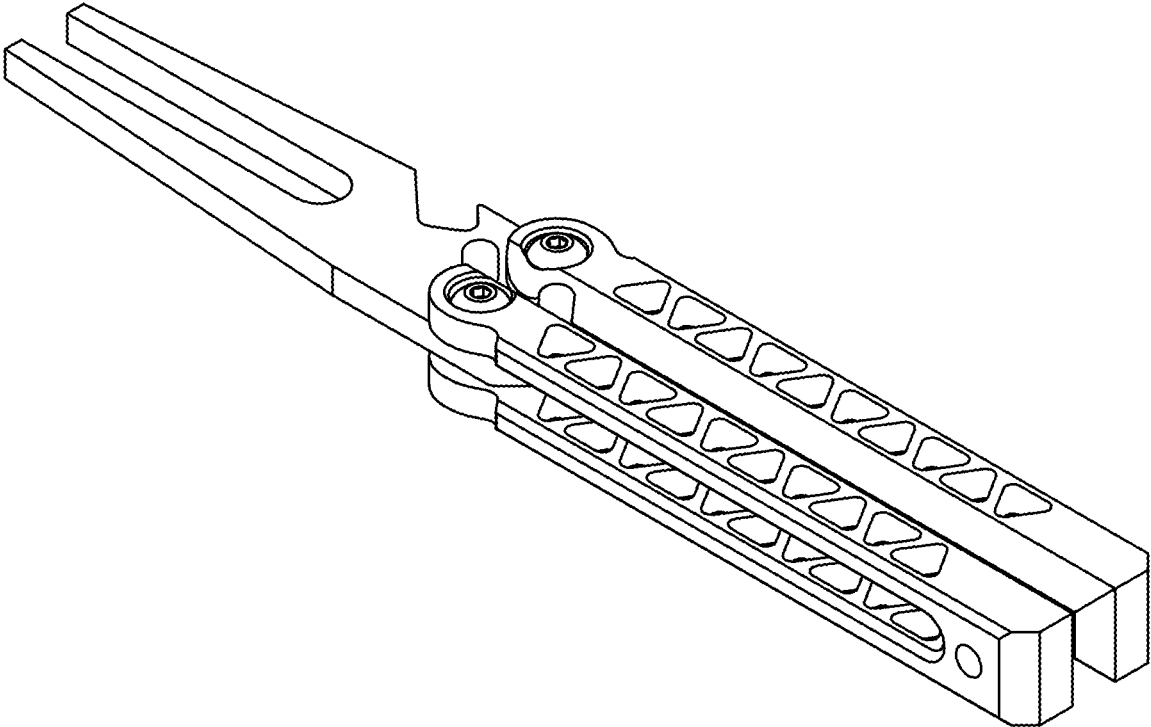


FIG.4

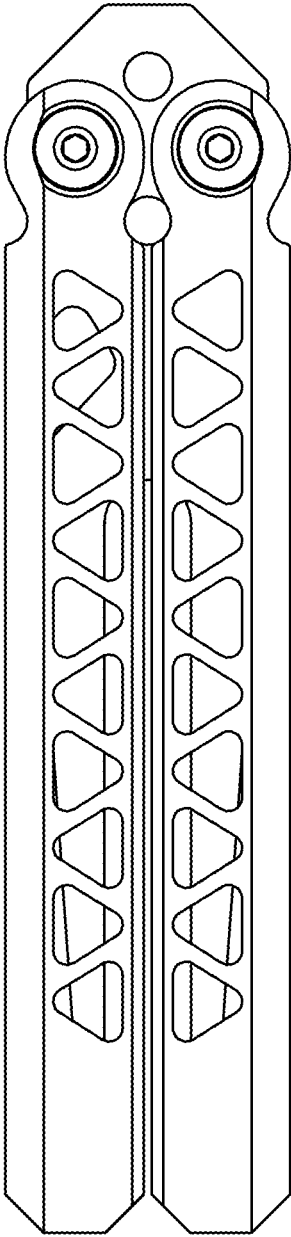


FIG.5

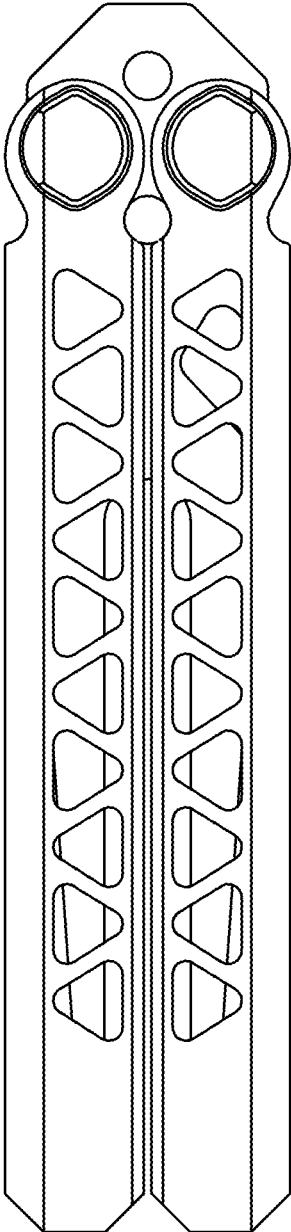


FIG.6

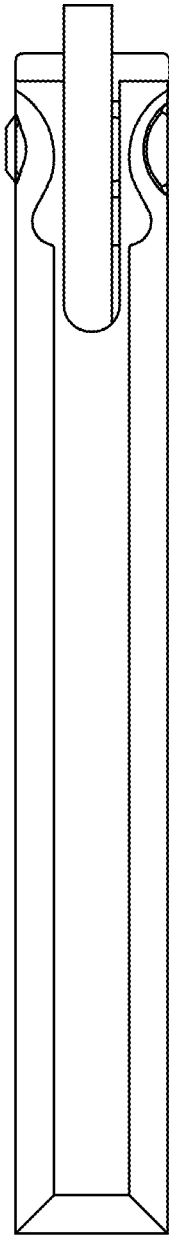


FIG.7

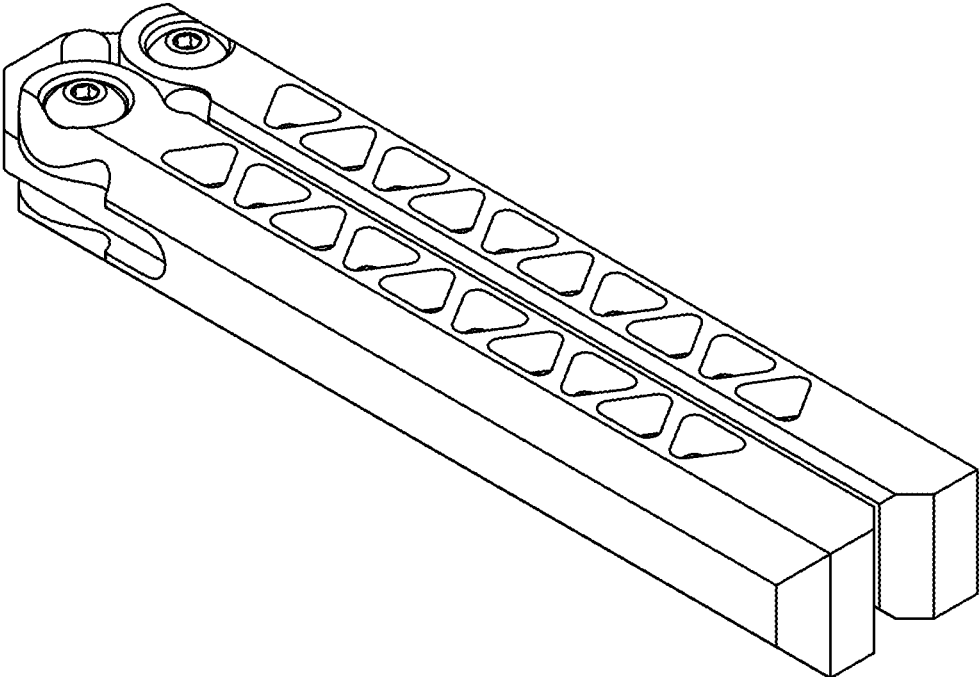


FIG.8

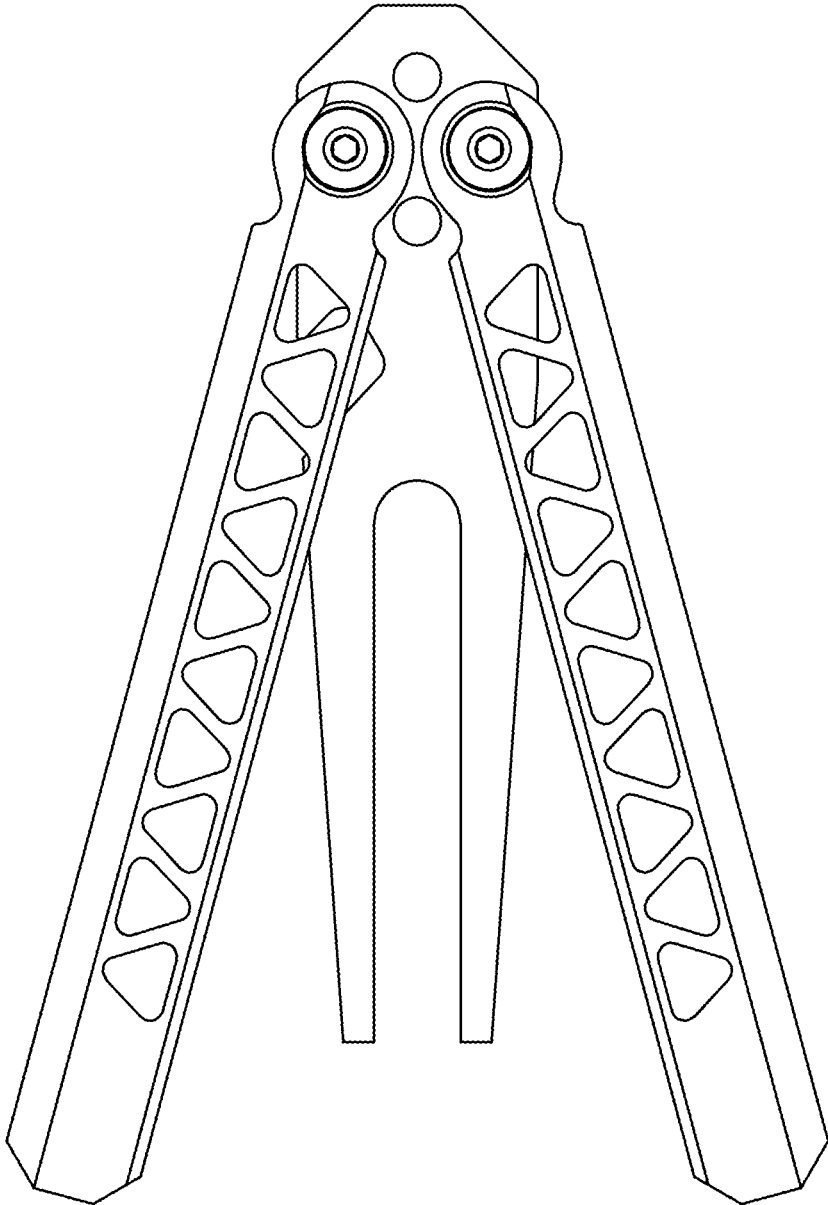


FIG.9

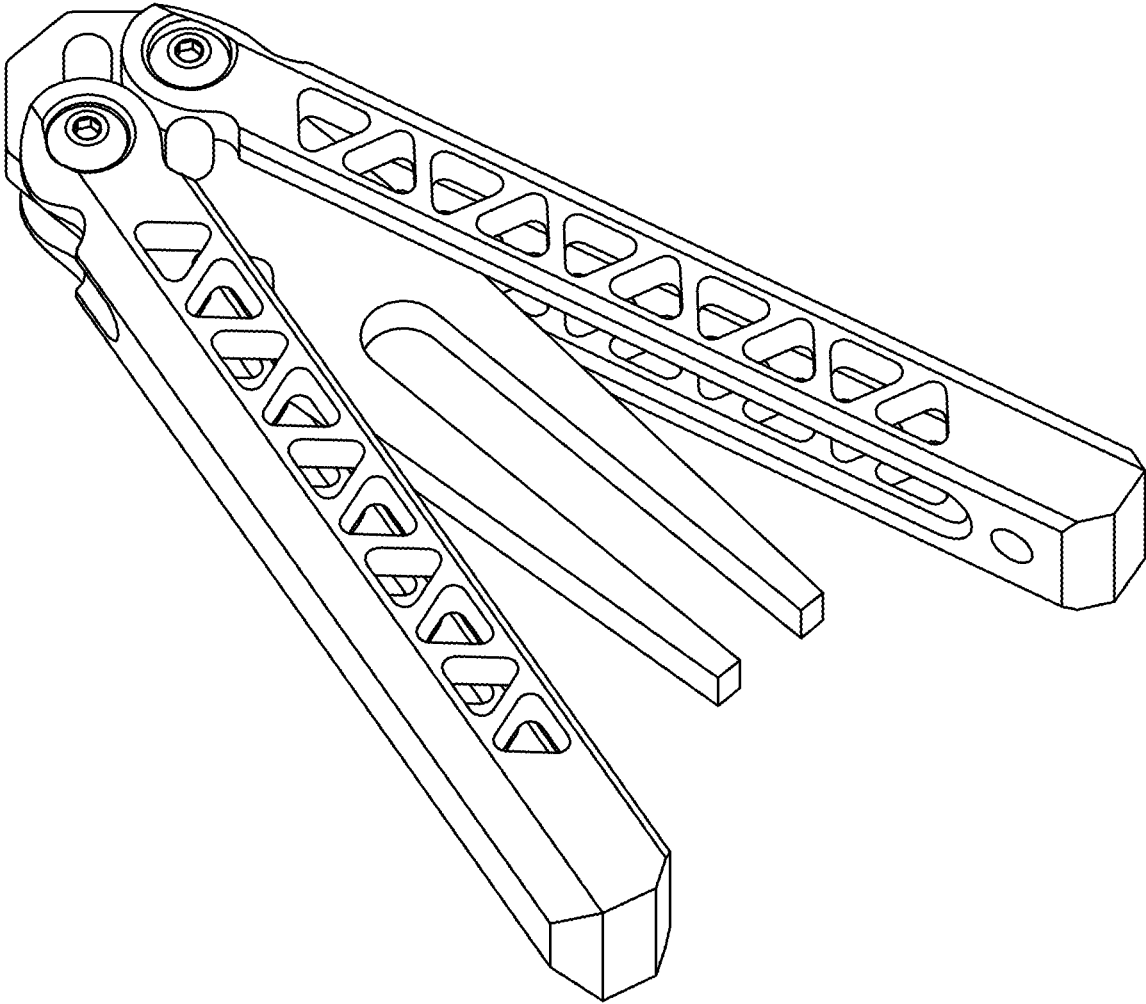


FIG.10

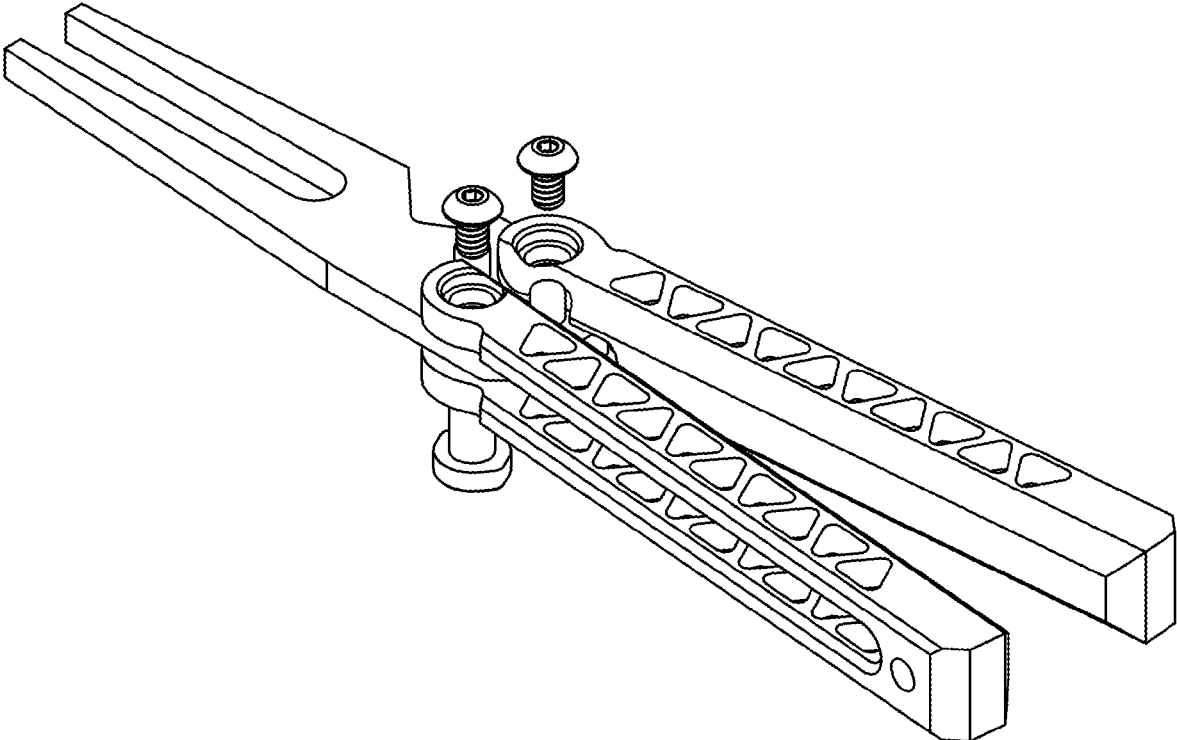


FIG.11

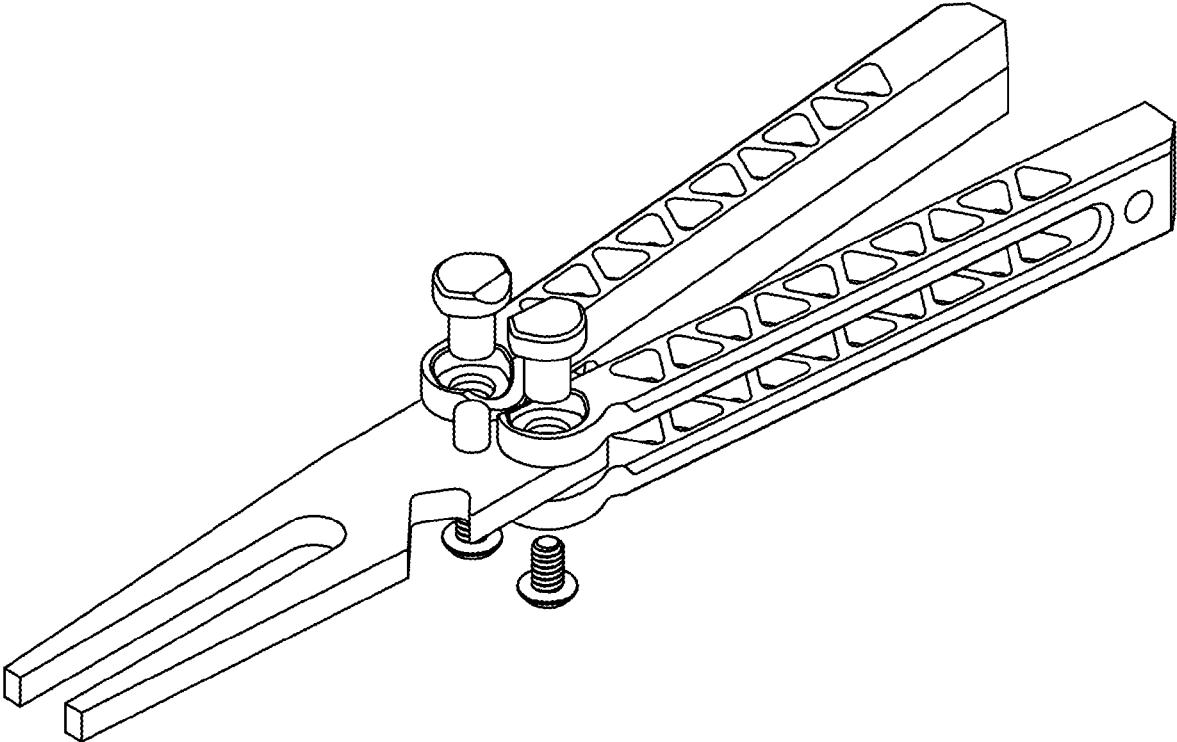


FIG.12