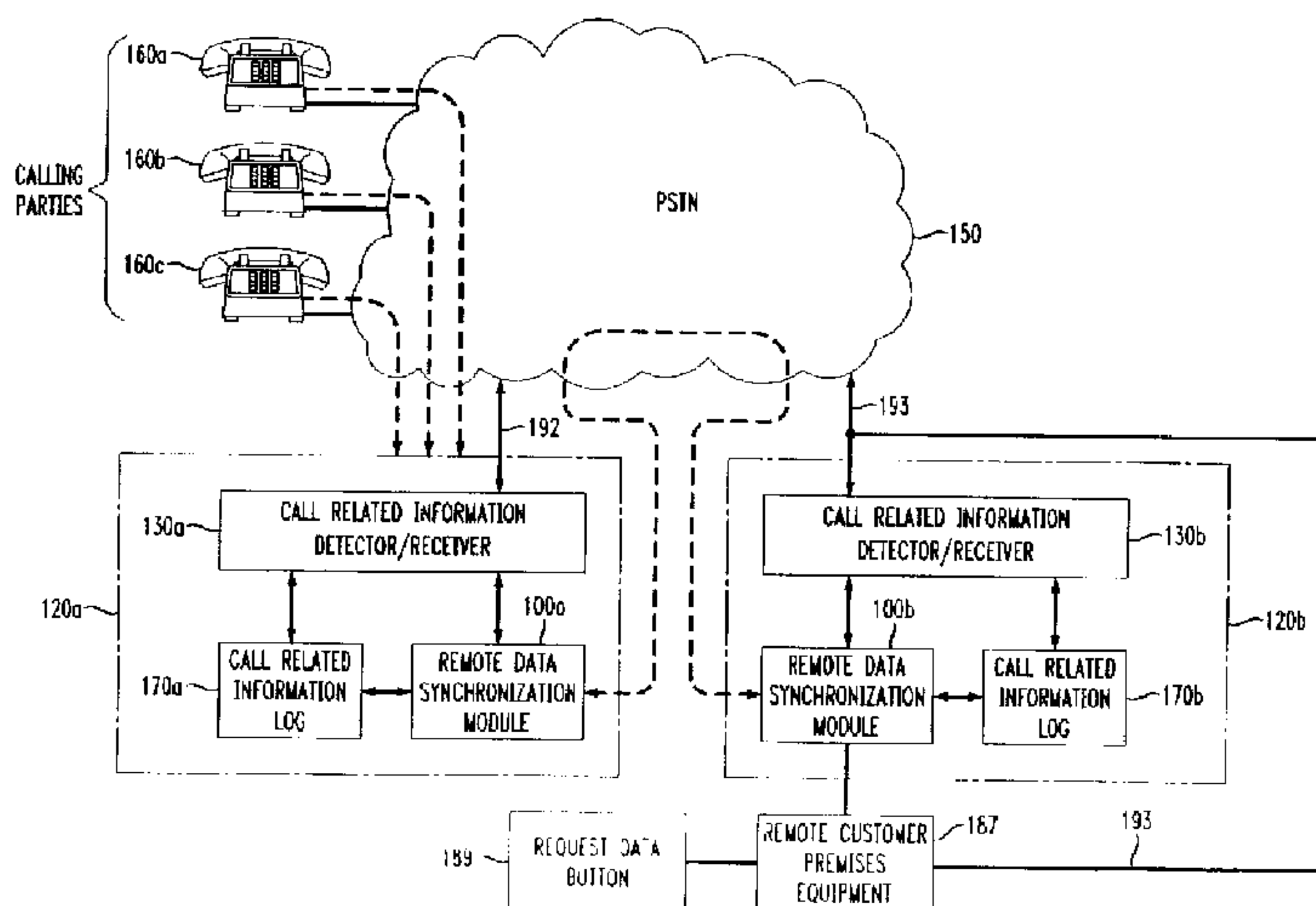




(22) Date de dépôt/Filing Date: 2000/03/22  
 (41) Mise à la disp. pub./Open to Public Insp.: 2000/10/05  
 (45) Date de délivrance/Issue Date: 2004/06/01  
 (30) Priorité/Priority: 1999/04/05 (09/285,671) US

(51) Cl.Int.<sup>7</sup>/Int.Cl.<sup>7</sup> H04M 3/42, H04M 11/06  
 (72) Inventeurs/Inventors:  
 CANNON, JOSEPH M., US;  
 DAVIS, PAUL JOSEPH, US;  
 JOHANSON, JAMES A., US  
 (73) Propriétaire/Owner:  
 LUCENT TECHNOLOGIES INC., US  
 (74) Agent: KIRBY EADES GALE BAKER

(54) Titre : TRANSFERT DE RECEPTEUR A RECEPTEUR D'INFORMATION RELATIVE A L'APPEL  
 (54) Title: CALL RELATED INFORMATION RECEIVER TO RECEIVER TRANSFER



(57) **Abrégé/Abstract:**

A call related information detector/receiver system which is capable of downloading call related information received at that device to another call related information detector/receiver system remote from the system which initially received the call related information, back over the telephone line. Thus, a remote user while away from the home or office can receive and synchronize call related information at a system other than the one which initially received the call related information. Thus, a remote user can update a local call related information system and review past callers to their home or business telephone at their leisure. Upon establishment of a telephone call between customer premises equipment respectively associated with the two relevant call related information detector/receiver systems, a remote call related information system will request download of call related information logged from another call related information system using the established telephone call. In the disclosed embodiment, the request signals are encoded with DTMF tones, which the receiving call related information system monitors for. Upon acceptance of a request to transmit logged call related information, previously logged call related information is retrieved from its log, formatted for transmission together with suitable header information such as the identity of the transmitting call related information system, and FSK modulated for transmission back over the telephone line. Preferably, the speaker or earpiece of off-hook customer premises equipment will be muted or suppressed during transmission of the data corresponding to the call related information. The particular call related information transmitted may be particularly or generally requested by the remote call related information system, either by pre-stored commands based on a power up configuration of the requesting call related information system, and/or in response to a direct command input by the remote user using DTMF tones.

## CALL RELATED INFORMATION RECEIVER TO RECEIVER TRANSFER

### Abstract

5 A call related information detector/receiver system which is  
capable of downloading call related information received at that device to  
another call related information detector/receiver system remote from the  
system which initially received the call related information, back over the  
telephone line. Thus, a remote user while away from the home or office can  
receive and synchronize call related information at a system other than the one  
10 which initially received the call related information. Thus, a remote user can  
update a local call related information system and review past callers to their  
home or business telephone at their leisure. Upon establishment of a  
telephone call between customer premises equipment respectively associated  
with the two relevant call related information detector/receiver systems, a  
15 remote call related information system will request download of call related  
information logged from another call related information system using the  
established telephone call. In the disclosed embodiment, the request signals  
are encoded with DTMF tones, which the receiving call related information  
system monitors for. Upon acceptance of a request to transmit logged call  
20 related information, previously logged call related information is retrieved from  
its log, formatted for transmission together with suitable header information  
such as the identity of the transmitting call related information system, and FSK  
modulated for transmission back over the telephone line. Preferably, the  
speaker or earpiece of off-hook customer premises equipment will be muted or  
25 suppressed during transmission of the data corresponding to the call related  
information. The particular call related information transmitted may be  
particularly or generally requested by the remote call related information  
system, either by pre-stored commands based on a power up configuration of

Cannon 61-9-58

17

the requesting call related information system, and/or in response to a direct command input by the remote user using DTMF tones.

Cannon 61-9-58

1

## **CALL RELATED INFORMATION RECEIVER TO RECEIVER TRANSFER**

### **Field of the Invention**

5 This invention relates generally to a call related information system. More particularly, it relates to a call related information detector/receiver system at a customer premises equipment which is capable of synchronization or other data transfer over a telephone line with another call related information detector/receiver at another customer premises equipment.

### **Background of Related Art**

10 Call related information services such as Calling Identity Delivery (Caller ID) allow a user to receive information identifying an incoming caller before an incoming call is answered. Typical Caller ID information includes the telephone number and/or household or business name of the calling party. Based on received Caller ID information, a user of a conventional telephone  
15 answering device equipped with a call related information detector/receiver can determine the identity of an incoming caller before answering the incoming call, or the identity of a caller who recorded a voice message on a voice messaging system equipped with a call related information detector/receiver.

20 Basic (i.e., Type I) call related information such as Caller ID information is transmitted from a local telephone company to the desired called party while the called party's telephone is in a hung-up or on-hook state, e.g., between the first and second rings.

25 Advanced call related information services (i.e., Type II) allow a user to receive call related information regarding an incoming caller while their telephone is in use, i.e., in an off-hook condition. For instance, with Caller ID Call Waiting (CIDCW) service, the called party can receive Caller ID information (e.g., a telephone number and/or household or business name)

Cannon 61-9-58

2

regarding an incoming call from a third party while the called party's telephone is already in an established telephone call with another party on the same telephone line.

5 An example of a call related information detector/receiver system is shown in Fig. 4.

In particular, Fig. 4 shows a relevant portion of a conventional telephone device **11** including a call related information detector/receiver **25**. The call related information detector/receiver detects and receives call related information, e.g., the telephone number and/or household or business name, regarding a calling party. The currently received call related information is displayed by a controller **190** on a display **27**.

Received call related information is stored in a call related information log **500**. Typically, the call related information log is formed in non-volatile memory such as Flash memory accessible by the controller **190** and/or the call related information detector/receiver **25**. The call related information log **500** is typically of limited length, and thus maintains a log of the latest received call related information, the oldest logged call related information being replaced with the newest. To view the logged call related information, a user typically activates up or down scrolling keys **502**, and the controller **190** retrieves the previous or next entry of call related information in the call related information log **500**, and displays the same on the display **27**.

Currently, in order to access logged call related information, it must be viewed directly on a local display **27**. Moreover, because the display **27** is local to the customer premises equipment which initially received the call related information, the user must be in close or near proximity to that equipment to view the call related information. However, in some instances, it may be desirable for the user to retrieve the logged call related information at a location remote from the telephone answering device, e.g., through the public

Cannon 61-9-58

3

switched telephone network (PSTN). Unfortunately, conventional call related information detector/receiver devices require the user to return to the device which initially received the call related information.

This is particularly the case to review information contained in a large number of the entries in the call related information log **500** of a particular customer premises equipment device. However, in today's mobile environment, a user may not always be local to their telephone receiving calls for them, and therefore may not be able to utilize logged call related information when required. Moreover, if away from their telephone for an extended period of time, the oldest call related information entries may be forever lost without the user having the opportunity to review the oldest entries, particularly if the call related information log **500** has a small capacity.

Accordingly, there exists a need for an improved technique and apparatus which allows a user to remotely retrieve call related information received by another customer premises equipment.

### **Summary Of The Invention**

In accordance with the principles of the present invention, a call related information remote access module comprises a call related information detector/receiver module adapted to detect and receive call related information regarding a calling party over a telephone line from a central office. A data synchronization module is adapted to transmit logged call related information detected and received by the call related information detector/receiver module back to another call related information detector/receiver module.

A method of transferring call related information from one customer premises equipment to another customer premises equipment over a telephone line in accordance with another aspect of the present invention comprises establishing a telephone call between a first call related information detector/receiver system and a second call related information

detector/receiver system. Previously received call related information logged at the first call related information detector/receiver system is transmitted to the second call related information detector/receiver system through the telephone call.

5           In accordance with one aspect of the present invention there is provided  
a Caller ID information remote access module, comprising: a first Caller ID  
information detector/receiver module in customer premises equipment adapted  
to detect and receive Caller ID information regarding a calling party over a  
telephone line from a central office; a second Caller ID information receiver  
10   module in a device remote from said customer premises equipment through a  
public network; and a data synchronization module in said second Caller ID  
information receiver module remote from said customer premises equipment,  
said data synchronization module being adapted to receive via said public  
network a plurality of previously logged Caller ID information detected and  
15   received by said first Caller ID information detector/receiver module relating to a  
plurality of previous calling parties.

          In accordance with another aspect of the present invention there is  
provided a method of transferring Caller ID information from customer premises  
equipment to a telephone device remote via a public network, said method  
20   comprising: establishing a telephone call between a first Caller ID information  
detector/receiver in customer premises equipment and a second Caller ID  
information detector/receiver in a device remote from said first Caller ID  
information detector/receiver via a public network; and synchronizing a plurality  
of previously received Caller ID information relating to a plurality of previous  
25   calling parties logged at said first Caller ID information detector/receiver in  
customer premises equipment with said device remote from said first Caller ID  
information detector/receiver in customer premises equipment over said public  
network.

## 4a

In accordance with yet another aspect of the present invention there is provided apparatus for transferring Caller ID information from one customer premises equipment to another customer premises equipment over a public network, comprising: means for establishing a telephone call over a public network between a first Caller ID information detector/receiver system and a second Caller ID information detector/receiver system; and means for synchronizing a plurality of previously received Caller ID information relating to a plurality of previous calling parties logged at said first Caller ID information detector/receiver system with said second Caller ID information detector/receiver system through said telephone call over said public network.

**Brief Description Of The Drawings**

Features and advantages of the present invention will become apparent to those skilled in the art from the following description with reference to the drawings, in which:

Fig. 1 illustrates the reception of call related information regarding a plurality of callers by a first call related information detector/receiver system, and the transfer of data and/or synchronization of data back over the public switched telephone network (PSTM) using a telephone line from the first call related information detector/receiver system which initially received the call related information from a central office, and a remote call related information detector/receiver system, in accordance with the principles of the present invention.

Fig. 2 is a detailed block diagram of an exemplary embodiment of the remote data synchronization module shown in Fig. 1.

Fig. 3 is a flow chart showing an exemplary process by which a first call related information system initially receives from a central office call related information from one or more calling parties, and by which a remote call related information detector/receiver system requests and receives call related

4b

information initially received, logged, and transmitted by the first call related information system back over the PSTN, in accordance with the principles of the present invention.

5 Fig. 4 illustrates a relevant portion of a conventional call related information detector/receiver system.

**Detailed Description Of Illustrative Embodiments**

The present invention provides a call related information detector/receiver system which is capable of downloading data corresponding to call related information received at that device to another call related information detector/receiver system, back over the telephone line. Thus, a remote user can synchronize received call related information (e.g., Caller ID information) with their usual call related information detector/receiver system back at their home or office, and review the call related information (e.g., using a display at their remote location) at their leisure.

Fig. 1 illustrates the reception of call related information regarding a plurality of callers by a first call related information detector/receiver system, and the transfer of data and/or synchronization of data back over the public switched telephone network (PSTN) using a telephone line from the first call related information detector/receiver system which initially received the call related information from a central office, and a remote call related information detector/receiver system, in accordance with the principles of the present invention.

In particular, a first call related information detector/receiver system **120a** and a second call related information detector/receiver system **120b**, each constructed in accordance with the principles of the present invention, are serviced by respective telephone lines **192**, **193** from the public switched telephone network (PSTN). Each of the call related information detector/receiver systems **120a**, **120b** (collectively referred to herein as **120**) include an otherwise conventional call related information detector/receiver **130a**, **130b**, respectively.

The call related information detector/receiver systems **120a**, **120b** further include respective call related information logs **170a**, **170b**. The call related information logs **170a**, **170b** are preferably formed in non-volatile

Cannon 61-9-58

6

memory, e.g., Flash memory, but may be formed in volatile memory such as conventional random access memory (RAM). Preferably, the call related information logs **170a**, **170b** are of sufficient length for the particular application, but may allow overwriting of the oldest entries with call related information regarding the newest entries (either newest with respect to when the original telephone call was made, or newest with respect to when the call related information was transferred to the relevant call related information detector/receiver system).

The entries in the call related information logs **170a**, **170b** may be arranged in any suitable order. For instance the entries may be arranged chronologically, e.g., with respect to when the telephone call from the relevant calling party was made, or with respect to when the data was transferred to the relevant call related information detector/receiver system.

In accordance with the principles of the present invention, the call related information logs **170a**, **170b** store entries including conventional call related information such as telephone numbers and/or household or business names of calling parties. However, each of the entries preferably also includes an identification (e.g., telephone number) of the original receiver of the information if other than the displaying system. For instance, call related information initially received by another call related information detector/receiver system but transferred to the relevant call related information detector/receiver system may include a parameter in the entry (e.g., a telephone number and/or household name) which identifies the transmitting call related information detector/receiver, while entries initially received by the relevant call related information detector/receiver may be left without such information. Preferably, the display of the relevant call related information detector/receiver system includes display of the identity of the originating system.

Cannon 61-9-58

7

The call related information detector/receiver systems **120a**, **120b** include respective remote data synchronization modules **100a**, **100b** to coordinate transmission and reception of data between the two call related information detector/receiver systems **120a**, **120b**. The remote data  
5 synchronization modules **100a**, **100b** are preferably software modules within a suitable processor, e.g., a microprocessor, a microcontroller, or a digital signal processor (DSP).

Fig. 1 depicts (with dotted lines) passage of data corresponding to call related information initially from three calling parties **160a-160c** to the first call  
10 related information detector/receiver system **120a** in a conventional fashion, and then from the first call related information detector/receiver system **120a** to the second call related information detector/receiver system **120b** back over the telephone line using a telephone call established by remote customer premises equipment **187** associated with the second call related information  
15 detector/receiver system **120b**.

Preferably, the remote customer premises equipment (e.g., a common telephone) **187** includes a request data button **189** (or sequence of keys) which, when activated by the remote user, initiates a request for the transfer of data corresponding to call related information from a remote call related  
20 information detector/receiver system **120a** through the remote data synchronization module **100b** of the requesting call related information detector/receiver system **120b**.

Fig. 2 is a detailed block diagram of an exemplary embodiment of the remote data synchronization module **100a**, **100b** (collectively referred to herein  
25 as **100**) shown in Fig. 1, in accordance with the principles of the present invention.

In particular, the remote data synchronization module **100** includes a call related information retrieval/storage module **202**, and a call related information

Cannon 61-9-58

8

data transceiver module **204**. The remote data synchronization module **100** preferably operates in both a transmitting direction and in a receiving direction. In a transmitting direction, call related information stored in them relevant call related information log **170** is retrieved and transmitted to a remote, requesting  
5 call related information detector/receiver system. In a receiving direction, call related information is received from a remote call related information detector/receiver system and stored in a local call related information log. Aspects of the call related information retrieval/storage module **202** and the call related information data transfer module **204** (e.g., whether in a transmit or  
10 receive mode) are controlled by an appropriate controller **297**.

The controller **297** may be any suitable processor, e.g., a microcontroller, a microprocessor, or a digital signal processor. Also, the controller **297** may interface directly to the relevant customer premises equipment **187** (Fig. 1).

15 The remote data synchronization module **100** as shown in Fig. 2 includes transmitter and receiver components of the call related information detector/receiver **130**, e.g., a frequency shift keying (FSK) modulator **208** and an FSK demodulator **210**. FSK communications are used in conventional Caller ID and other call related information transfer techniques, and are  
20 preferably used for data transfer between separate call related information detector/receiver systems back over a telephone line.

ADSL or other suitable communication technique may alternatively be utilized for transfer of call related information in accordance with the principles of the present invention. ADSL is an in-band data transmission technique  
25 which allows the transmission of data on a telephone line using frequencies outside the audible range.

The remote data synchronization module **100** further includes a dual tone, multiple frequency (DTMF) decoder **206** and a DTMF encoder **212**,

Cannon 61-9-58

9

enabling DTMF communications over the telephone line through the relevant telephone line interface (TLI). Preferably, a remote call related information detector/receiver system will initially request transmission of call related information from another call related information detector/receiver system using  
5 a command encoded with DTMF tones. The receiving call related information detector/receiver system will continually monitor the telephone line, or will monitor the telephone line at a prearranged time (e.g., during the first minute of a telephone call), for reception of a predetermined DTMF code requesting call related information from the receiving call related information detector/receiver  
10 system.

All or only portions of the call related information stored in a particular call related information log may be requested for transfer to a remote call related information detector/receiver system. For instance, separate request buttons or parameters may be established for requesting transfer of only the  
15 last, of the last ten (10), the last twenty-five (25), or all entries stored in the remote call related information log, and the transmitted DTMF code may relay these separate parameters to the relevant call related information detector/receiver system.

For instance, one particular DTMF encoded command comprising a  
20 sequence of one or more alphanumeric key presses at the remote telephone may correspond to a request to transfer data corresponding to all "new" call related information received, e.g., since the last data transfer, or for all call related information currently stored in the call related information log. Similarly, for ease of use and added flexibility, additional commands may be  
25 implemented in the controller **297** for interpreting requests from the remote telephone to increment or decrement by one or more entries in the call related information storage area.

All components shown in Fig. 2 may be integral to the controller **297**, or may be separate therefrom.

The call related information retrieval module **202** accesses entries in the call related information log **170** of the relevant call related information detector/receiver system **120**, while the call related information data transceiver module **204** formats the accessed call related information with appropriate header information for transmission to the requesting call related information detector/receiver system. The header information may include, e.g., CRC or other error check codes, as well as the identity of the transmitting call related information detector/receiver system. The call related information may be transmitted in ASCII or other suitable data form.

Fig. 3 shows an exemplary process by which call related information is initially received and logged in a first call related information (e.g., Caller ID (CID)) detector/receiver system, and transferred in data form to another CID system back over the telephone line, in accordance with the principles of the present invention.

In particular, in step **302**, a first CID system receives one or more incoming telephone calls and logs the respective call related information into the relevant local call related information log.

In step **304**, a telephone call is established between the first CID system and a remote CID system using remote customer premises equipment associated with the same telephone line as the remote CID system.

In step **306**, the remote user initiates or requests a transfer and/or synchronization of call related information (e.g., Caller ID information data) between the remote CID system and the first CID system, e.g., by activating a particular button or sequence of buttons on the customer premises equipment associated with the same telephone line as the remote CID system. (It is also possible to automatically request call related information data transfer, e.g., at the beginning of each telephone call to a particular telephone number known

Cannon 61-9-58

11

by the remote customer premises equipment as being that from which call related information data is to be synchronized.)

5 In step **308**, the remote CID system signals the first CID system to start the call related information data transfer, e.g., using a DTMF encoded command over the telephone line.

10 In step **310**, the microphone/earpiece of the customer premises equipment at the remote and/or called end are muted or otherwise suppressed from audibly hearing the subsequent FSK signaling occurring over the telephone line. While not necessary, muting will avoid the uncomfortable noise heard by the user(s) during FSK data transfer.

In step **312**, the first CID system retrieves and transmits the requested call related information data to the requesting remote CID system.

In step **314**, the remote CID system receives the requested call related information data from the first CID system.

15 In step **316**, the call related information received by the remote CID system is displayed at the remote users convenience at a display local to the remote CID system. For instance, the call related information may be displayed as it is received, e.g., refreshed once per second, and can be scrolled up/down after it is received.

20 While the invention has been described with reference to the exemplary embodiments thereof, those skilled in the art will be able to make various modifications to the described embodiments of the invention without departing from the true spirit and scope of the invention.

**Claims**

1. A Caller ID information remote access module, comprising:

5 a first Caller ID information detector/receiver module in customer premises equipment adapted to detect and receive Caller ID information regarding a calling party over a telephone line from a central office;

a second Caller ID information receiver module in a device remote from said customer premises equipment through a public network; and

10 a data synchronization module in said second Caller ID information receiver module remote from said customer premises equipment, said data synchronization module being adapted to receive via said public network a plurality of previously logged Caller ID information detected and received by said first Caller ID information detector/receiver module relating to a plurality of previous calling parties.

15 2. The Caller ID information remote access module according to claim 1, wherein:

said logged Caller ID information is transmitted in ASCII form.

3. The Caller ID information remote access module according to claim 1, wherein:

20 said plurality of previously logged Caller ID information is transmitted back over said public network using an FSK technique.

4. The Caller ID information remote access module according to claim 1, wherein said data synchronization module comprises:

an FSK modulator and demodulator.

5. The Caller ID information remote access module according to claim 4, wherein said data synchronization module further comprises:

a DTMF decoder.

6. A method of transferring Caller ID information from customer premises equipment to a telephone device remote via a public network, said method comprising:

establishing a telephone call between a first Caller ID information detector/receiver in customer premises equipment and a second Caller ID information detector/receiver in a device remote from said first Caller ID information detector/receiver via a public network; and

synchronizing a plurality of previously received Caller ID information relating to a plurality of previous calling parties logged at said first Caller ID information detector/receiver in customer premises equipment with said device remote from said first Caller ID information detector/receiver in customer premises equipment over said public network.

7. The method of transferring Caller ID information from customer premises equipment to a telephone device remote via a public network according to claim 6, said method further comprising:

accepting a request, through a telephone call over said public network, for transfer of Caller ID information logged at said first Caller ID information detector/receiver in customer premises equipment from said remote telephone device.

8. The method of transferring Caller ID information from customer premises equipment to a telephone device remote via a public network according to claim 7, wherein:

said request is transmitted using DTMF tones.

9. The method of transferring Caller ID information from customer premises equipment to a telephone device remote via a public network according to claim 7, wherein:

5 said request relates to synchronization of Caller ID information relating to a plurality of telephone calls received by said first Caller ID information detector/receiver.

10. The method of transferring Caller ID information from customer premises equipment to a telephone device remote via a public network according to claim 7, wherein said step of transmitting comprises:

10 FSK modulating said logged Caller ID information for transmission.

11. Apparatus for transferring Caller ID information from one customer premises equipment to another customer premises equipment over a public network, comprising:

15 means for establishing a telephone call over a public network between a first Caller ID information detector/receiver system and a second Caller ID information detector/receiver system; and

20 means for synchronizing a plurality of previously received Caller ID information relating to a plurality of previous calling parties logged at said first Caller ID information detector/receiver system with said second Caller ID information detector/receiver system through said telephone call over said public network.

12. The apparatus for transferring Caller ID information from one customer premises equipment to another customer premises equipment over a public network according to claim 11, further comprising:

means for accepting a request, through said telephone call, for transfer of Caller ID information logged at said first Caller ID information detector/receiver from said second Caller ID information detector/receiver.

5 13. The apparatus for transferring Caller ID information from one customer premises equipment to another customer premises equipment over a public network according to claim 12, wherein:

said request acceptable by said means for accepting said request is transmitted using DTMF tones.

10 14. The apparatus for transferring Caller ID information from one customer premises equipment to another customer premises equipment over a public network according to claim 12, wherein:

said request acceptable by said means for accepting said request relates to synchronization of Caller ID information relating to a plurality of telephone calls received by said first Caller ID information detector/receiver.

15 15. The apparatus for transferring Caller ID information from one customer premises equipment to another customer premises equipment over a public network according to claim 12, wherein said means for transmitting comprises:

20 means for FSK modulating said logged Caller ID information for transmission.

16. The Caller ID information remote access module according to claim 1, wherein said public network comprises:

a Public Switched Telephone Network (PSTN).

25 17. The method of transferring Caller ID information from customer premises equipment to a telephone device remote via a public network according to claim 6, wherein said public network comprises:

a Public Switched Telephone Network (PSTN).

18. The apparatus for transferring Caller ID information from one customer premises equipment to another customer premises equipment over a public network according to claim 11, wherein said public network comprises:

5 a Public Switched Telephone Network (PSTN).

FIG. 1

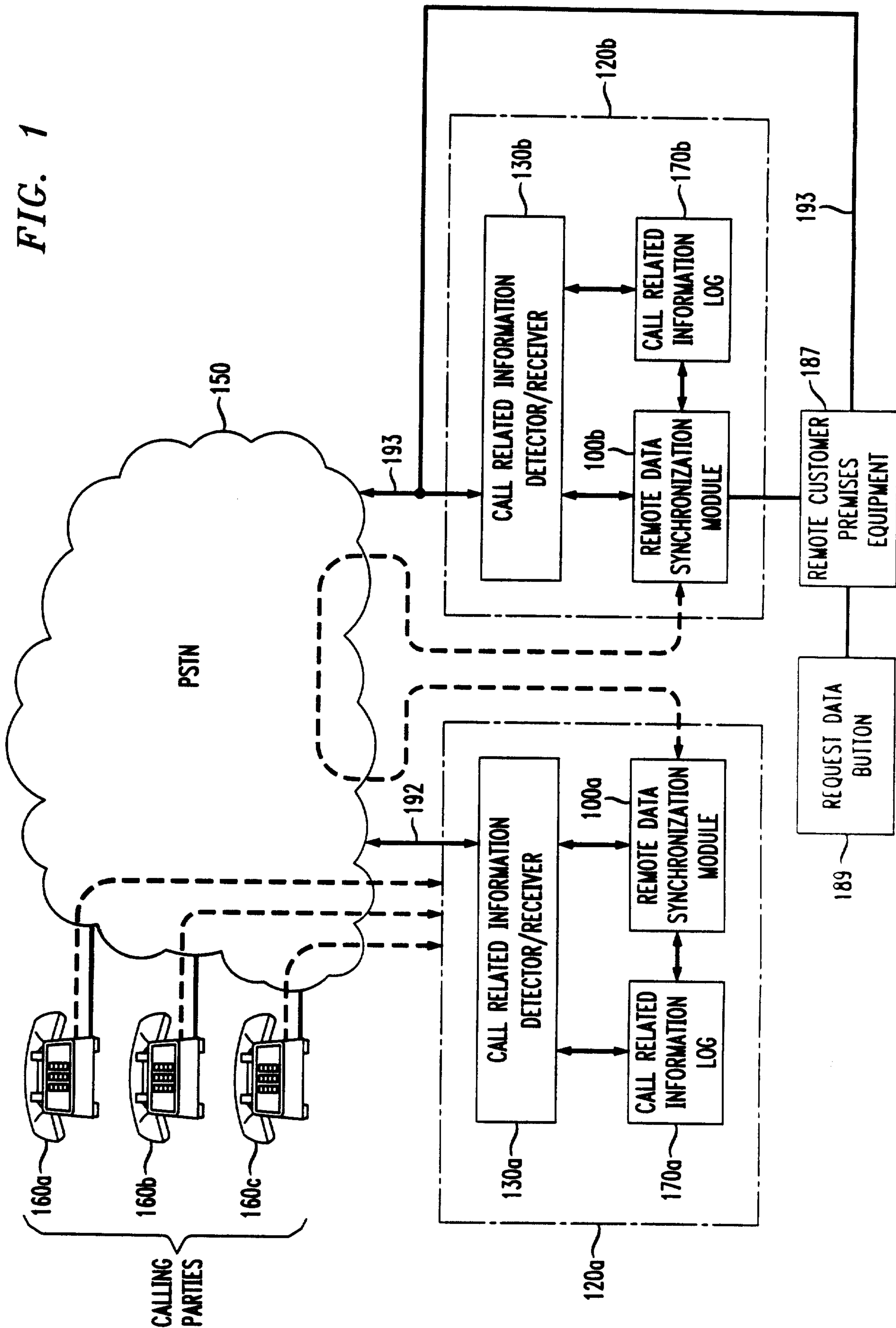
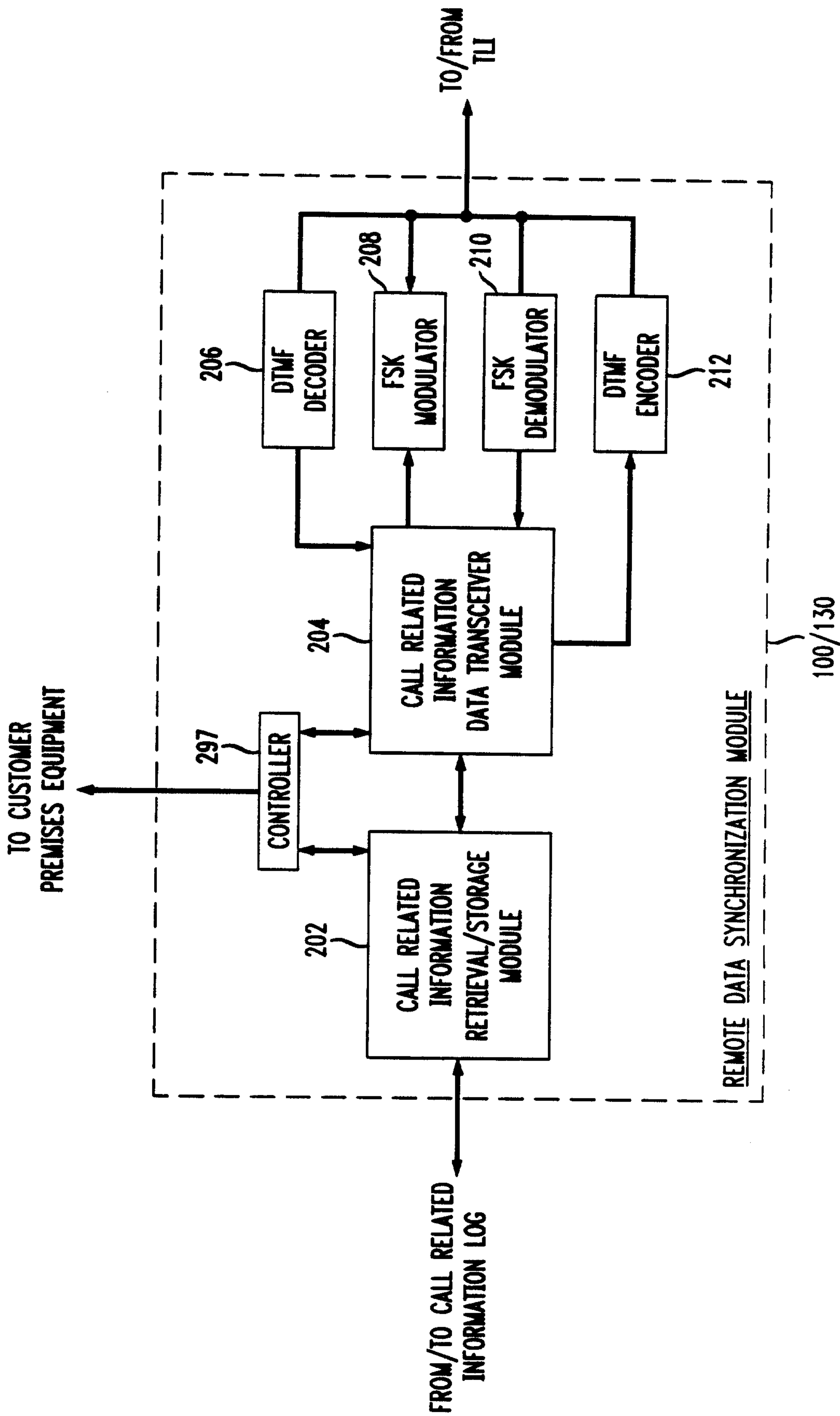
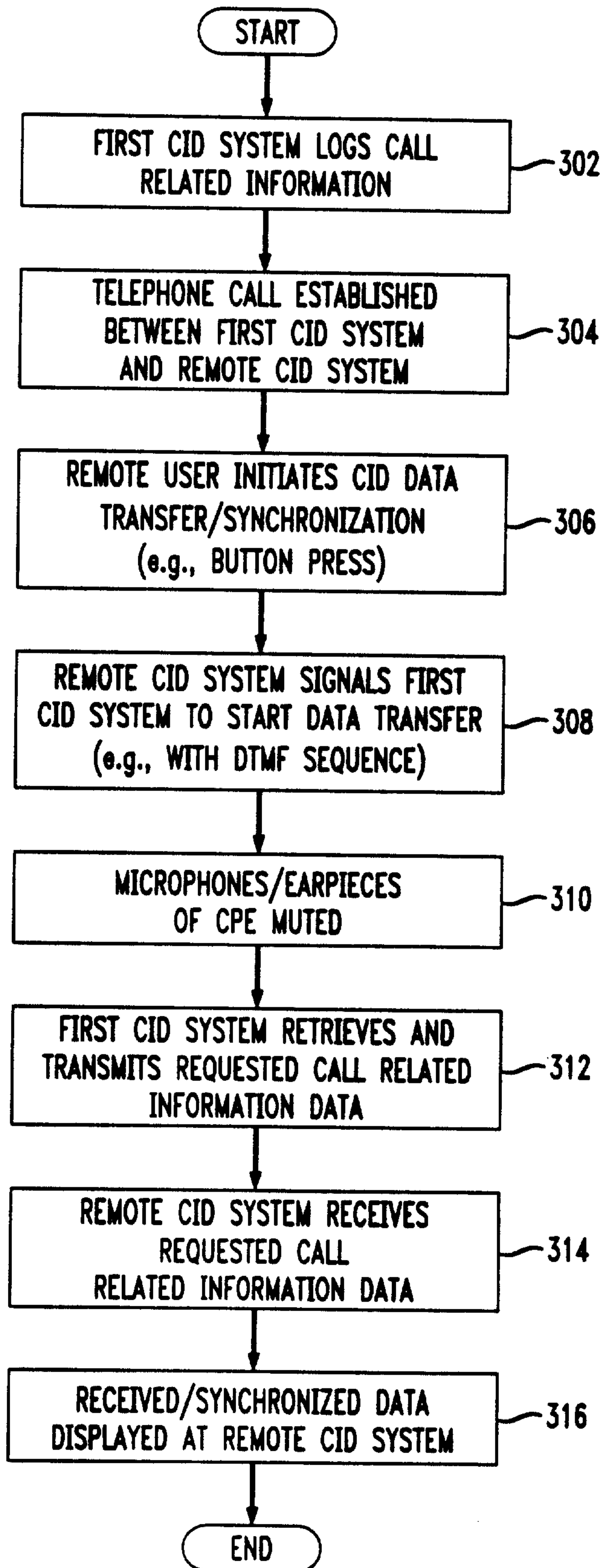


FIG. 2



3/4

FIG. 3



4/4

FIG. 4  
PRIOR ART

