



US00D719099S

(12) **United States Design Patent**
Yeh et al.

(10) **Patent No.:** **US D719,099 S**

(45) **Date of Patent:** **** Dec. 9, 2014**

(54) **CPU CARRIER ASSEMBLY**

(71) Applicant: **Hon Hai Precision Industry Co., Ltd.**,
New Taipei (TW)

(72) Inventors: **Cheng-Chi Yeh**, New Taipei (TW);
Ting-Yao Hung, New Taipei (TW);
Albert Harvey Terhune, IV, Chandler,
AZ (US)

(73) Assignee: **Hon Hai Precision Industry Co., Ltd.**,
New Taipei (TW)

(**) Term: **14 Years**

(21) Appl. No.: **29/475,507**

(22) Filed: **Dec. 3, 2013**

(51) **LOC (10) Cl.** **13-03**

(52) **U.S. Cl.**
USPC **D13/154**

(58) **Field of Classification Search**
USPC D13/147, 154, 184, 194; D14/432, 433,
D14/435, 436, 438; 439/64, 79, 159, 160,
439/330, 331, 341, 342, 476.1, 607.01,
439/607.04, 607.05, 607.17, 607.25,
439/607.34, 607.41, 607.53, 629, 630, 636,
439/660, 668, 680, 773, 862, 892, 894,
439/946; 361/684, 685

See application file for complete search history.

(56) **References Cited**

U.S. PATENT DOCUMENTS

6,780,041 B1 *	8/2004	Ma	439/342
6,875,038 B1 *	4/2005	McHugh et al.	439/331
D505,921 S *	6/2005	Ma	D13/149
6,905,357 B2 *	6/2005	Ma	439/331
6,910,908 B2 *	6/2005	Tran et al.	439/342
6,927,981 B1 *	8/2005	Kao	361/740
D596,124 S *	7/2009	Ma et al.	D13/133
D631,847 S *	2/2011	Ma et al.	D13/154
2008/0113545 A1 *	5/2008	Zhang et al.	439/345
2009/0104794 A1 *	4/2009	Ma	439/66

* cited by examiner

Primary Examiner — Daniel Bui

(74) *Attorney, Agent, or Firm* — Wei Te Chung; Ming Chieh Chang

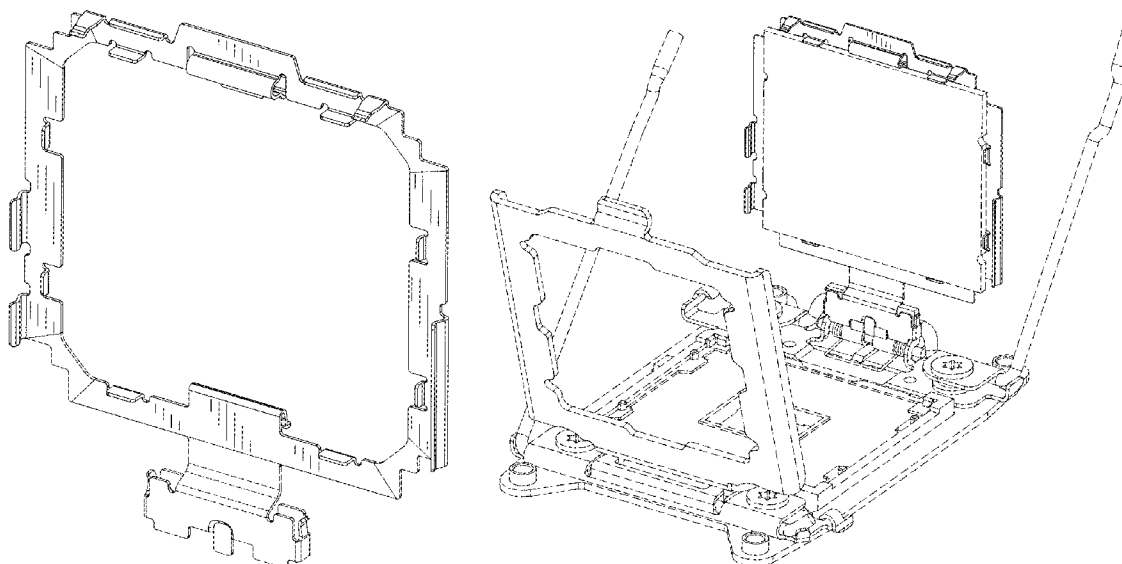
(57) **CLAIM**

The ornamental design for a CPU carrier assembly, as shown and described.

DESCRIPTION

FIG. 1 is a front, top and left side perspective view of a CPU carrier showing our new design;
FIG. 2 is a front elevational view thereof;
FIG. 3 is a rear elevational view thereof;
FIG. 4 is a left side elevational view thereof;
FIG. 5 is a right side elevational view thereof;
FIG. 6 is a top plan view thereof;
FIG. 7 is a bottom plan view thereof; and,
FIG. 8 is perspective view thereof, in use condition.
The broken line in the figure drawing views is included for the purpose of illustrating environment and forms no part of the claimed design. The dash-dot line in the figure drawing views represents the boundary of the claimed design.

1 Claim, 8 Drawing Sheets



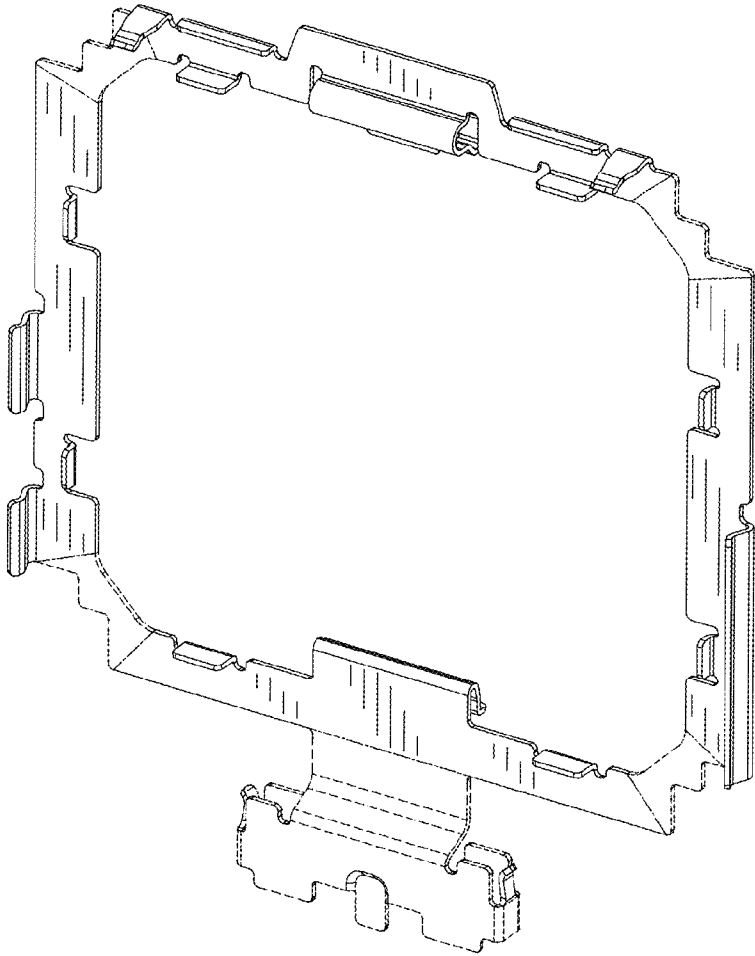


FIG. 1

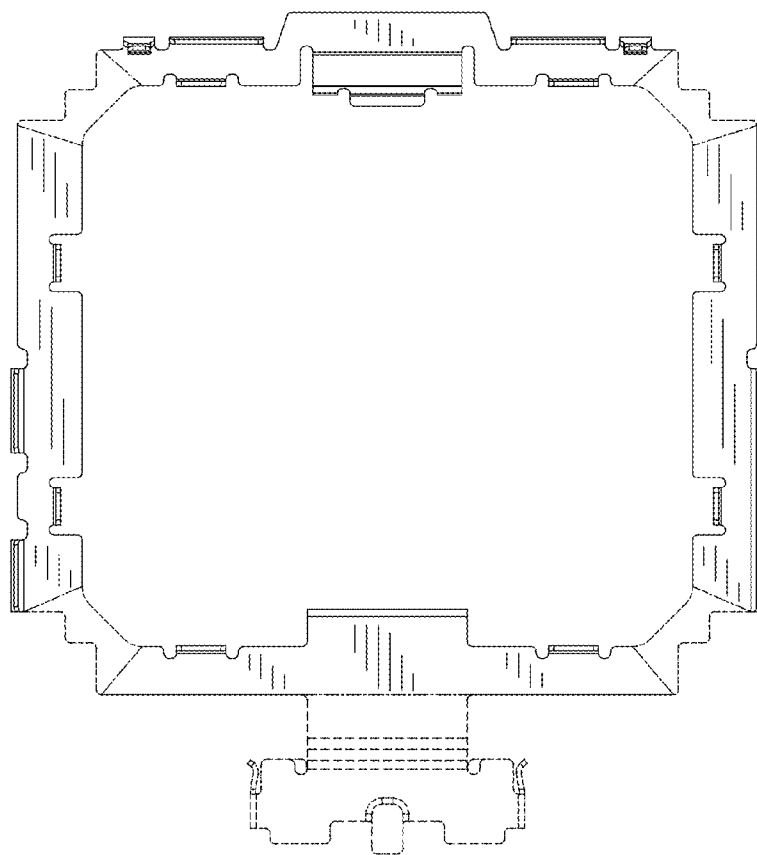


FIG. 2

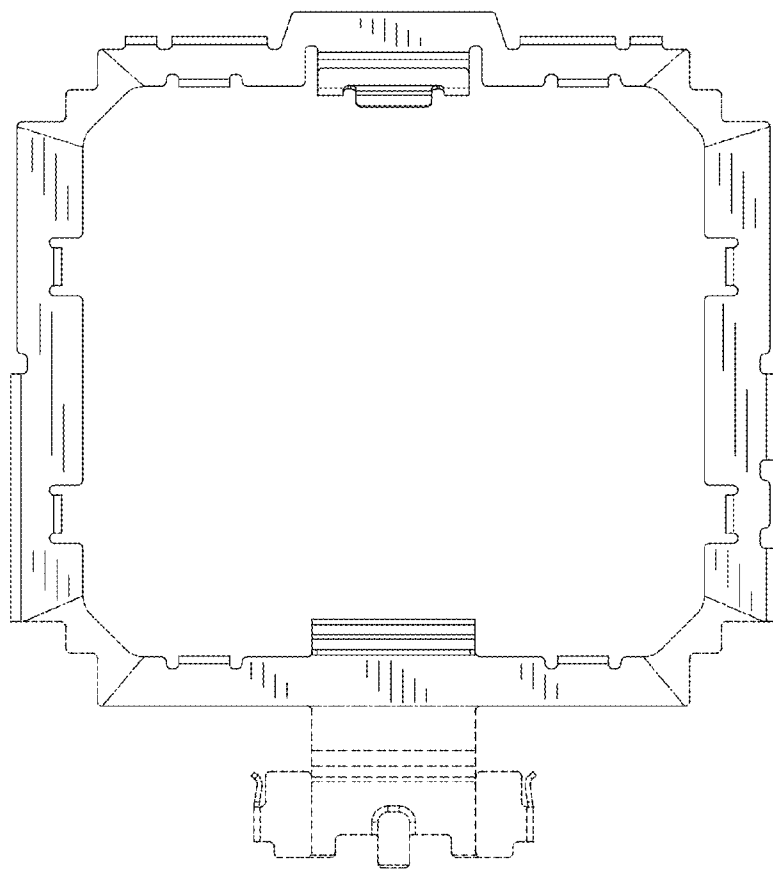


FIG. 3

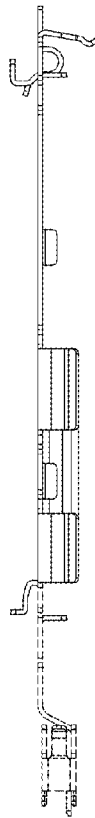


FIG. 4

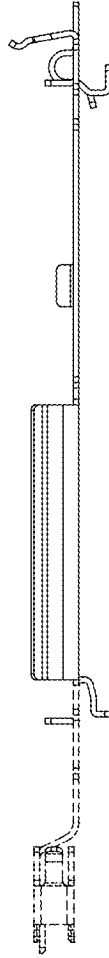


FIG. 5

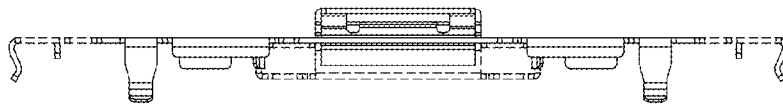


FIG. 6

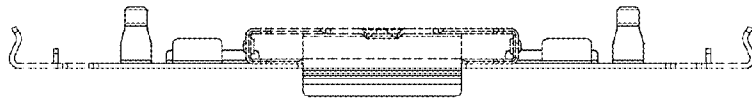


FIG. 7

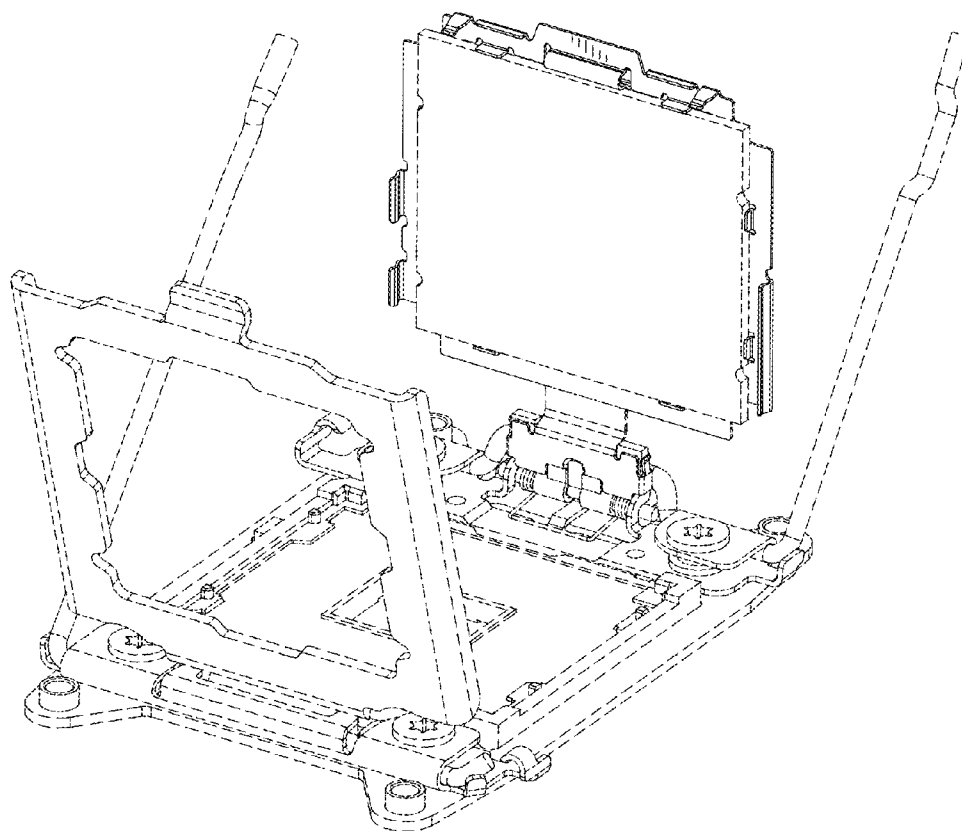


FIG. 8