

(12) **UK Patent Application** (19) **GB** (11) **2478436** (13) **A**

(43) Date of Reproduction by UK Office **07.09.2011**

(21) Application No: **1105540.7**

(22) Date of Filing: **24.10.2008**

(30) Priority Data:
(31) **11951311** (32) **05.12.2007** (33) **US**

(86) International Application Data:
PCT/US2008/081046 En 24.10.2008

(87) International Publication Data:
WO2009/075953 En 18.06.2009

(51) INT CL:
H05K 7/14 (2006.01) **G06F 1/18** (2006.01)

(56) Documents Cited by ISA:
US 6525930 B1 US 20070230113 A1
US 20050162836 A1 US 20040073816 A1

(58) Field of Search by ISA:
INT CL **G06F, H05K**
Other: **Online : eKIPASS(KIPO internal); Korean & Japanese Utility models 1975-**

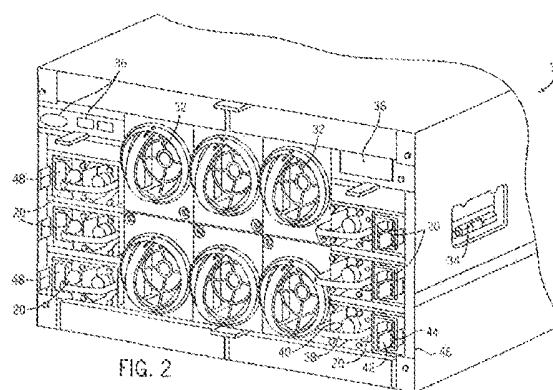
(71) Applicant(s):
Hewlett-Packard Development Company, L.P.
11445 Compaq Center Drive West, Houston,
Texas 77070, United States of America

(72) Inventor(s):
Hai N Nguyen
Mohamed Amin Bemat

(74) Agent and/or Address for Service:
Williams Powell
Staple Court, 11 Staple Inn Buildings, LONDON,
WC1V 7QH, United Kingdom

(54) Title of the Invention: **Modular power supply for computer servers**
Abstract Title: **Modular power supply for computer servers**

(57) A system (10), in certain embodiments, may include a server power supply (20) having a modular chassis (50) having dimensions standardized across a plurality of different servers. The dimensions may be configured to fit the modular chassis (50) uniformly within receptacles of the plurality of different servers. A method of manufacture, in certain embodiments, may include providing a server power supply (20) having a modular chassis (50) with dimensions standardized across a plurality of different servers. Again, the dimensions may be configured to fit the modular chassis (50) uniformly within receptacles of the plurality of different servers.



GB 2478436 A