

United States Patent [19]

Schoenfeld

[11] **Des. 243,647**

[45]** **Mar. 15, 1977**

- [54] **MERCHANDISE DISPLAY MODULE**
- [75] Inventor: **Alexander N. Schoenfeld**, Roslyn Heights, N.Y.
- [73] Assignee: **Trans-World Display Corporation**, New York, N.Y.
- [**] Term: **14 Years**
- [21] Appl. No.: **606,685**
- [22] Filed: **Aug. 21, 1975**
- [51] Int. Cl. **D20-02**
- [52] U.S. Cl. **D6/188**
- [58] **Field of Search** D6/85, 114, 116, 117, D6/118, 132, 137, 157, 181, 185, 186, 188, 189; 211/13, 40, 87, 90; 206/307, 309

- [56] **References Cited**
- U.S. PATENT DOCUMENTS**
- 2,915,193 12/1959 Bromberg D6/114

D. 174,146	3/1955	Tharrington	D6/85
D. 181,901	1/1958	Clarke	D6/185
D. 182,494	4/1958	Berlin	D6/185
D. 224,003	6/1972	Dumm	D6/85

FOREIGN PATENT DOCUMENTS

1,421,916	1965	France	211/40
-----------	------	--------------	--------

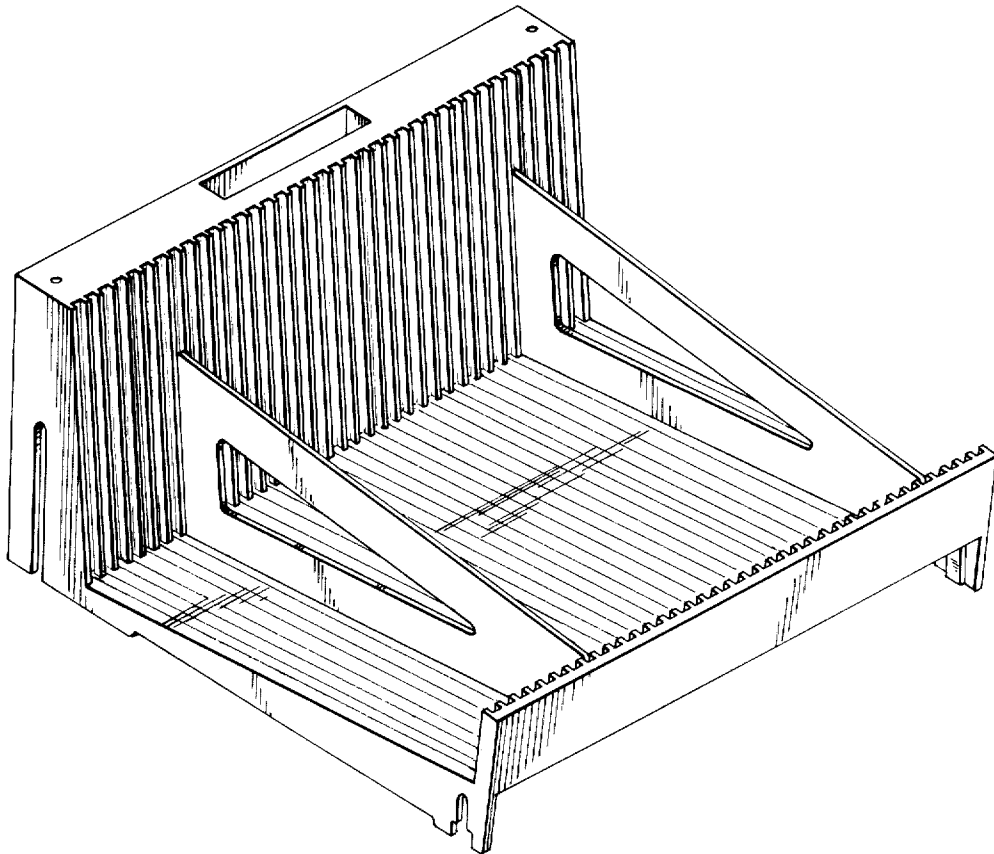
Primary Examiner—Wallace R. Burke
Assistant Examiner—B. J. Bullock
Attorney, Agent, or Firm—Alan H. Levine

[57] CLAIM

The ornamental design for a merchandise display module, substantially as shown.

DESCRIPTION

FIG. 1 is a top, front, and right side perspective view of a merchandise display module showing my new design; and
 FIG. 2 is a bottom, rear, and left side perspective view.



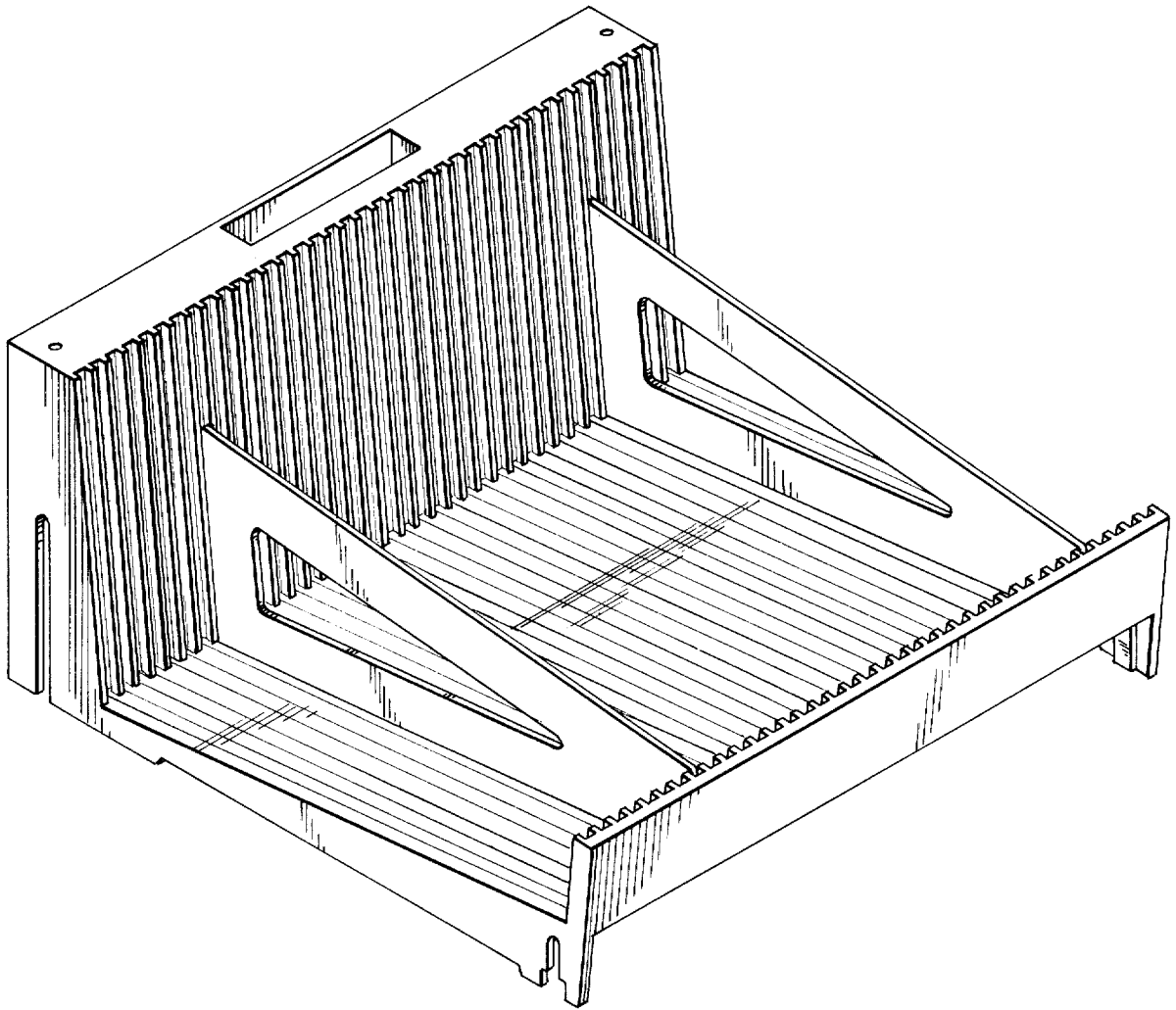


FIG. 1

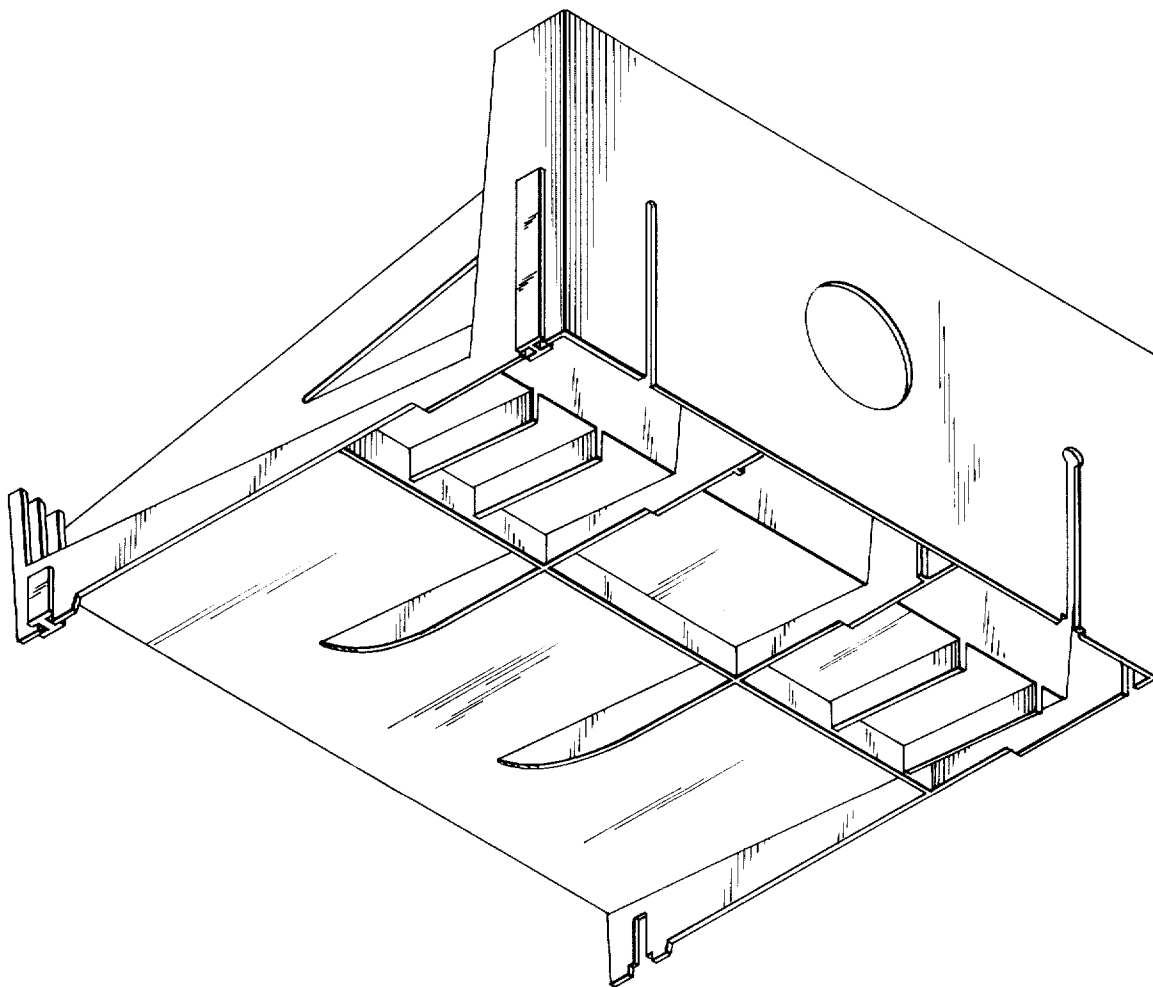


FIG. 2