



(12) **United States Design Patent**
Pan et al.

(10) **Patent No.:** **US D1,062,029 S**
(45) **Date of Patent:** **** Feb. 11, 2025**

(54) **LAMP CONNECTOR**

(71) Applicant: **Shenzhen Qianyan Technology LTD,**
Shenzhen (CN)

(72) Inventors: **Jinyu Pan,** Guangdong (CN); **Wenlong**
Wu, Guangdong (CN)

(**) Term: **15 Years**

(21) Appl. No.: **35/517,380**

(22) Filed: **Mar. 6, 2023**

(80) **Hague Agreement Data**

Int. Filing Date: **Mar. 6, 2023**
Int. Reg. No.: **DM/229025**
Int. Reg. Date: **Mar. 6, 2023**
Int. Reg. Pub. Date: **Jun. 2, 2023**

(30) **Foreign Application Priority Data**

Sep. 8, 2022 (CN) 202230595201.6

(51) **LOC (15) Cl.** **26-05**

(52) **U.S. Cl.**
USPC **D26/138; D13/133; D26/113**

(58) **Field of Classification Search**

USPC D8/382, 394, 403; D13/133, 146, 154,
D13/199; D25/61; D26/113, 138, 155
CPC . B60Q 3/51; B60Q 3/74; H01R 33/18; H01R
31/06; H01R 13/193; H01R 25/14; F21V
21/005; F21V 21/35; F21V 15/015; F21V
23/06; F21V 17/107; F21V 17/164; F21S
4/10; F21S 4/24

See application file for complete search history.

(56) **References Cited**

U.S. PATENT DOCUMENTS

D319,322 S * 8/1991 Kempter D26/138
D612,533 S * 3/2010 Kim D26/138
D657,906 S * 4/2012 Yu D26/138

D870,361 S * 12/2019 Sonneman D26/138
D903,933 S * 12/2020 Sorensen D26/138
D908,950 S * 1/2021 Sorensen D26/138
D908,951 S * 1/2021 Sorensen D26/138
2002/0027783 A1* 3/2002 Nagai B60Q 3/51
362/519
2002/0096423 A1* 7/2002 Nagai B60Q 3/74
200/293
2004/0005798 A1* 1/2004 Lin H01R 25/14
439/110
2021/0270452 A1* 9/2021 Wu F21V 15/015
(Continued)

OTHER PUBLICATIONS

Ali, Date: May 25, 2024, [online], [site visited Aug. 5, 2024].
Available from internet, URL: <https://pt.aliexpress.com/item/1005001360896002.html> (Year: 2024).*

(Continued)

Primary Examiner — Rhea Shields
Assistant Examiner — Bryan N. Melvin

(57) **CLAIM**

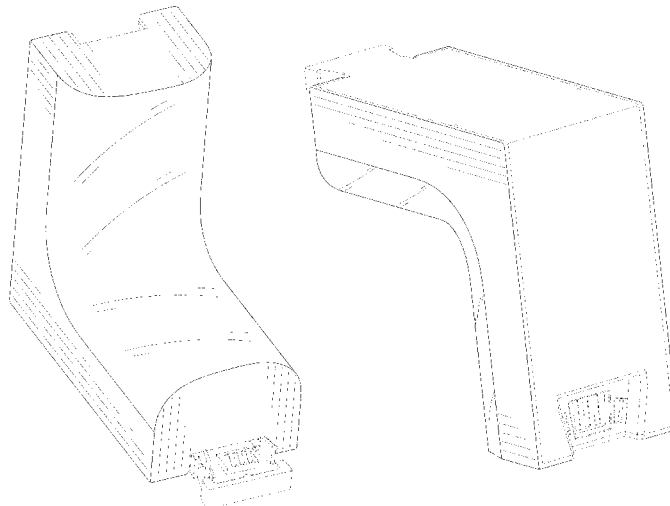
The ornamental design for a lamp connector as shown and described.

DESCRIPTION

- 1.1: Perspective
- 1.2: Perspective
- 1.3: Front
- 1.4: Back
- 1.5: Left
- 1.6: Right
- 1.7: Top
- 1.8: Bottom
- 1.9: Shown in environment

The dashed broken lines in reproductions 1.1-1.8 depict portions of the lamp connector that form no part of the claimed design. The dashed broken lines shown in 1.9 depict environmental structures and form no part of the claimed design.

1 Claim, 9 Drawing Sheets



(56)

References Cited

U.S. PATENT DOCUMENTS

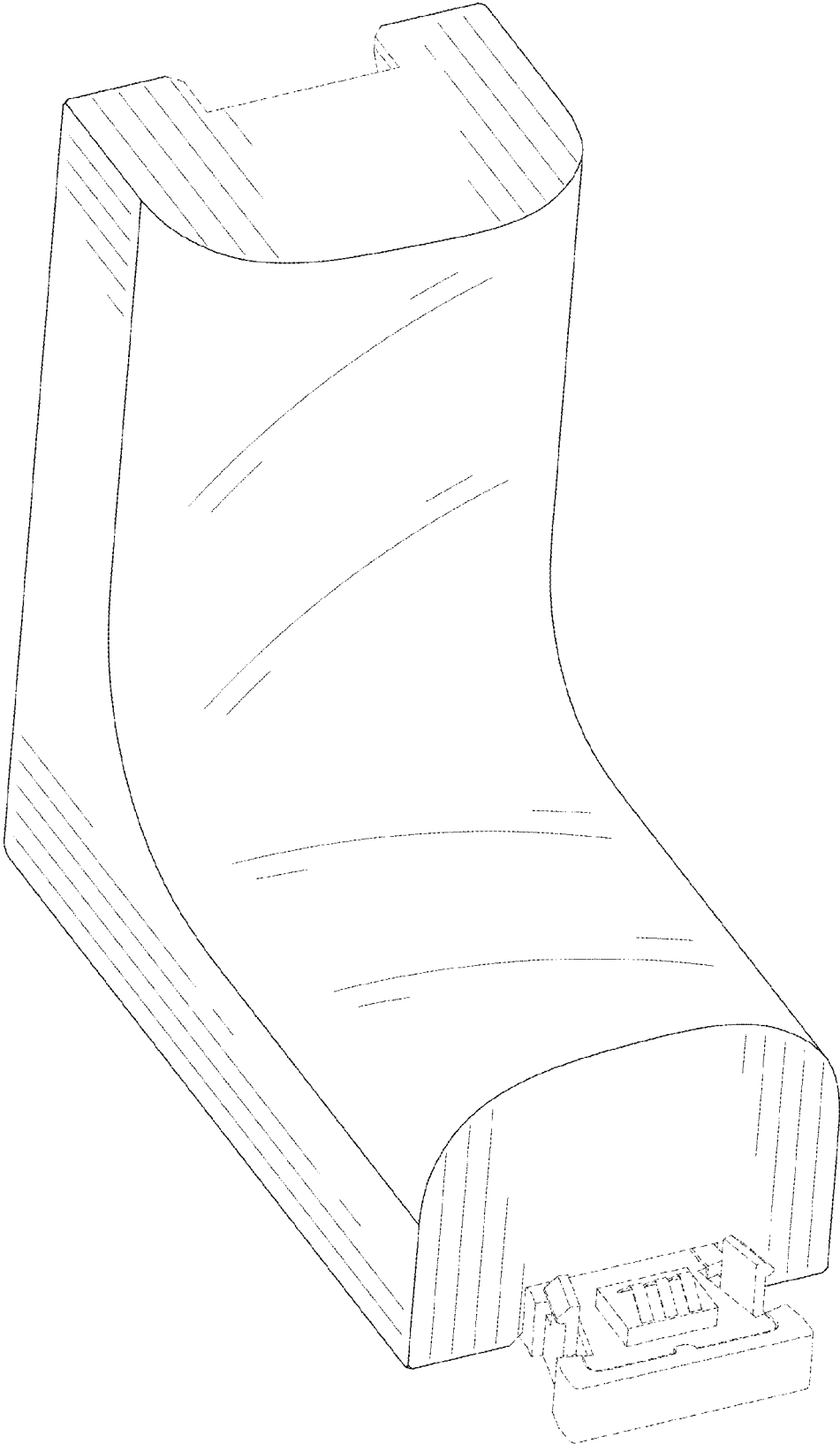
2023/0006394 A1* 1/2023 Chen F21V 23/06
2023/0121275 A1* 4/2023 Zhan F21V 21/005
362/217.01

OTHER PUBLICATIONS

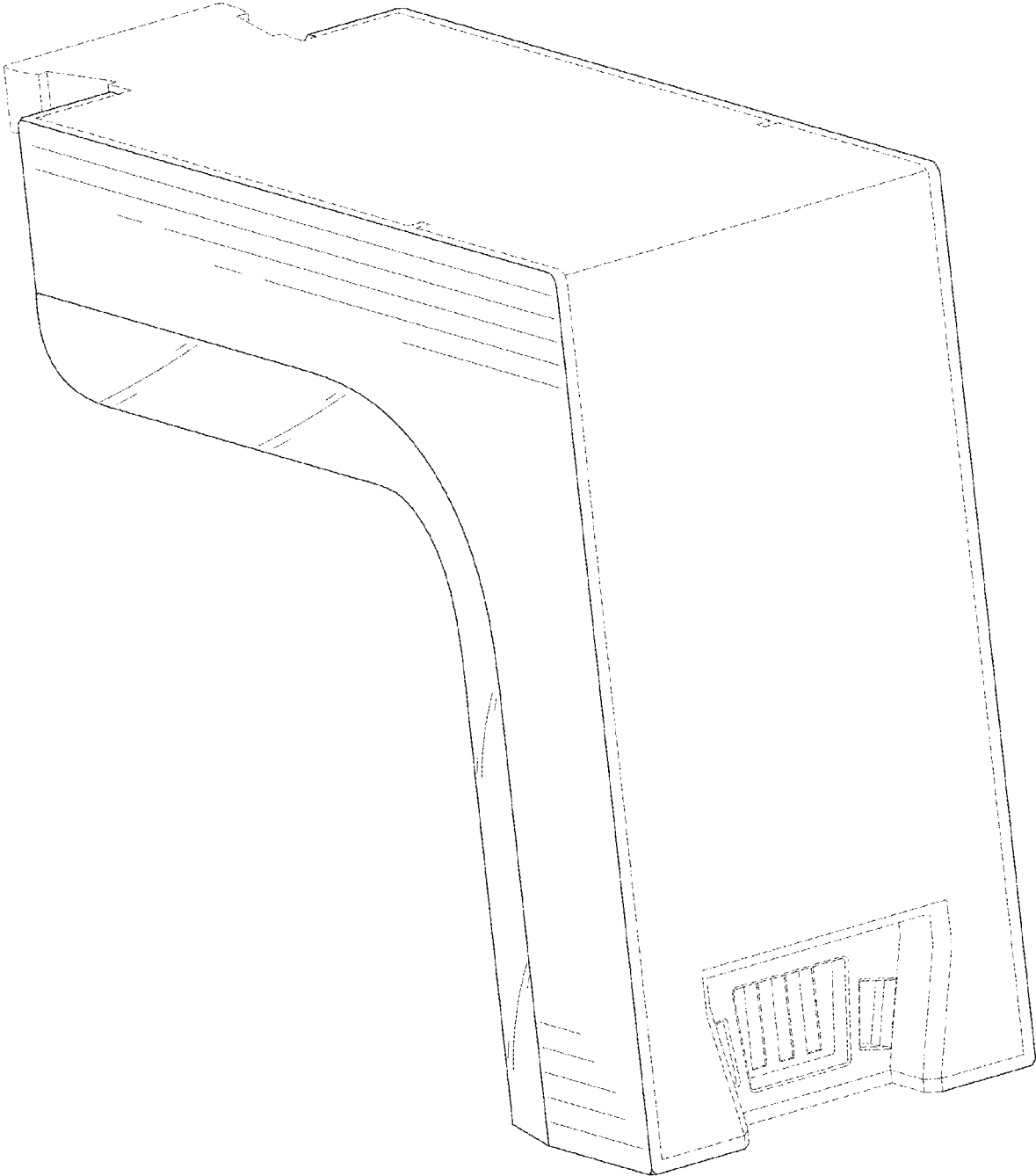
Tehaux, Date: Aug. 30, 2022, [online], [site visited Aug. 5, 2024].
Available from internet, URL: <https://www.amazon.com/TEHAUX-Connection-Connectors-Aluminum-Connector/dp/B0BCFQ875X?th=1> (Year: 2022).*

SBL, Date: Jul. 23, 2019, [online], [site visited Aug. 5, 2024].
Available from internet, URL: <https://www.superbrightleds.com/lslb-series-l-connector-right-natural-white> (Year: 2019).*

* cited by examiner



1. 1



1. 2

