



US00D478971S

(12) **United States Design Patent** (10) **Patent No.:** **US D478,971 S**
Jones et al. (45) **Date of Patent:** **** Aug. 26, 2003**

(54) **PORTABLE INFLATABLE BATHTUB WITH SHAMPOO BOWL AND FOLD-OUT SIDE AND LOWER FLAP-LIKE SPLASH PROTECTION EXTENSIONS FOR BEDRIDDEN PATIENTS**

D300,694 S * 4/1989 Krok D6/333
4,991,240 A * 2/1991 Edwards 4/585
5,050,591 A * 9/1991 Sandrin 4/582 X
5,153,950 A 10/1992 Sowers
D360,256 S * 7/1995 Gharegozlou D23/304
5,430,901 A 7/1995 Farley
5,522,099 A 6/1996 Heier
5,930,853 A 8/1999 Akado

(76) Inventors: **Ruth M. Jones**, 19143 Meyers, Detroit, MI (US) 48235; **Susan R. McKnight**, 19143 Meyers, Detroit, MI (US) 48235; **Phyllis J. Edwards**, 19143 Meyers, Detroit, MI (US) 48235

* cited by examiner

Primary Examiner—Louis S. Zarfaz
Assistant Examiner—Robert A. Delehanty
(74) *Attorney, Agent, or Firm*—Donald R. Schoonover

(**) Term: **14 Years**

(21) Appl. No.: **29/160,798**

(57) **CLAIM**

(22) Filed: **May 17, 2002**

We claim the ornamental design for a portable inflatable bathtub with shampoo bowl and fold-out side and lower flap-like splash protection extensions for bedridden patients, as shown and described.

(51) **LOC (7) Cl.** **23-02**

DESCRIPTION

(52) **U.S. Cl.** **D23/304**

(58) **Field of Search** D23/273, 275, D23/276, 277, 278, 303, 304; D24/204; 4/538, 546-548, 555-557, 559, 571.1-580, 582, 588-594, 661, DIG. 18; D6/333, 382, 602

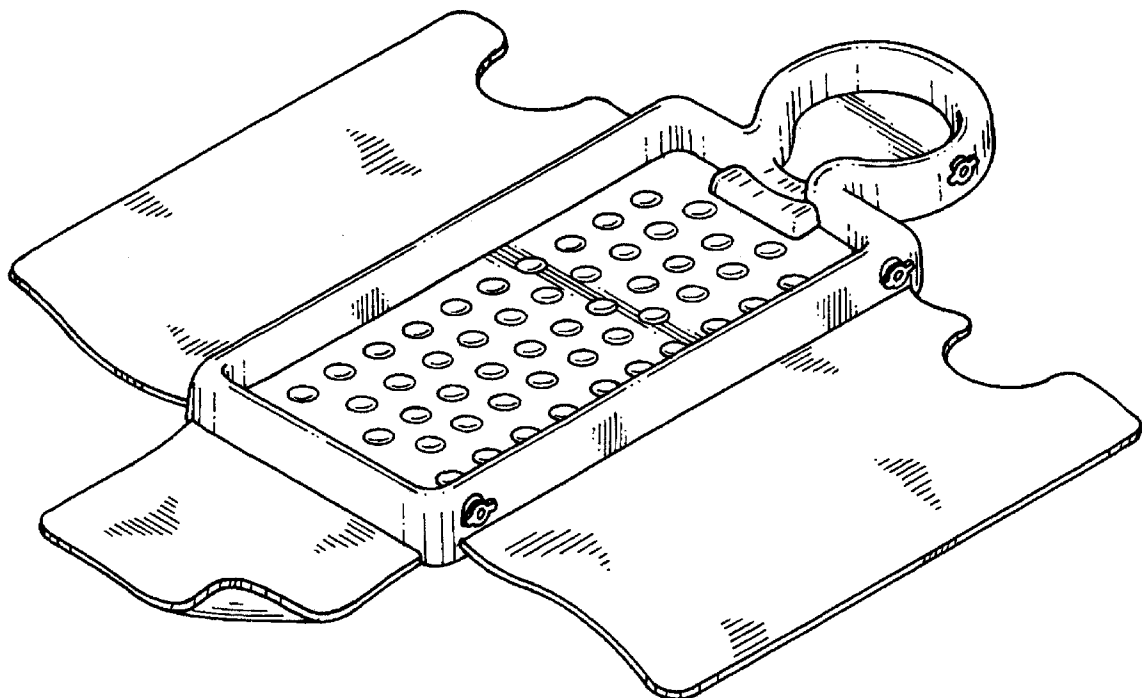
FIG. 1 is a perspective view of a portable inflatable bathtub with shampoo bowl and fold-out side and lower flap-like splash protection extensions for bedridden patients, embodying the design of the present invention
FIG. 2 is a front elevational plan view thereof;
FIG. 3 is a rear elevational view thereof;
FIG. 4 is a left side elevational view thereof;
FIG. 5 is a right side elevational view thereof;
FIG. 6 is a top plan view thereof; and,
FIG. 7 is a bottom plan view thereof.

(56) **References Cited**

U.S. PATENT DOCUMENTS

D204,737 S * 5/1966 Draheim D6/382
3,341,866 A 9/1967 Wright
3,373,451 A 3/1968 Schmidt
3,579,668 A 5/1971 Aronovitz
4,068,326 A * 1/1978 Deschler 4/588 X

1 Claim, 4 Drawing Sheets



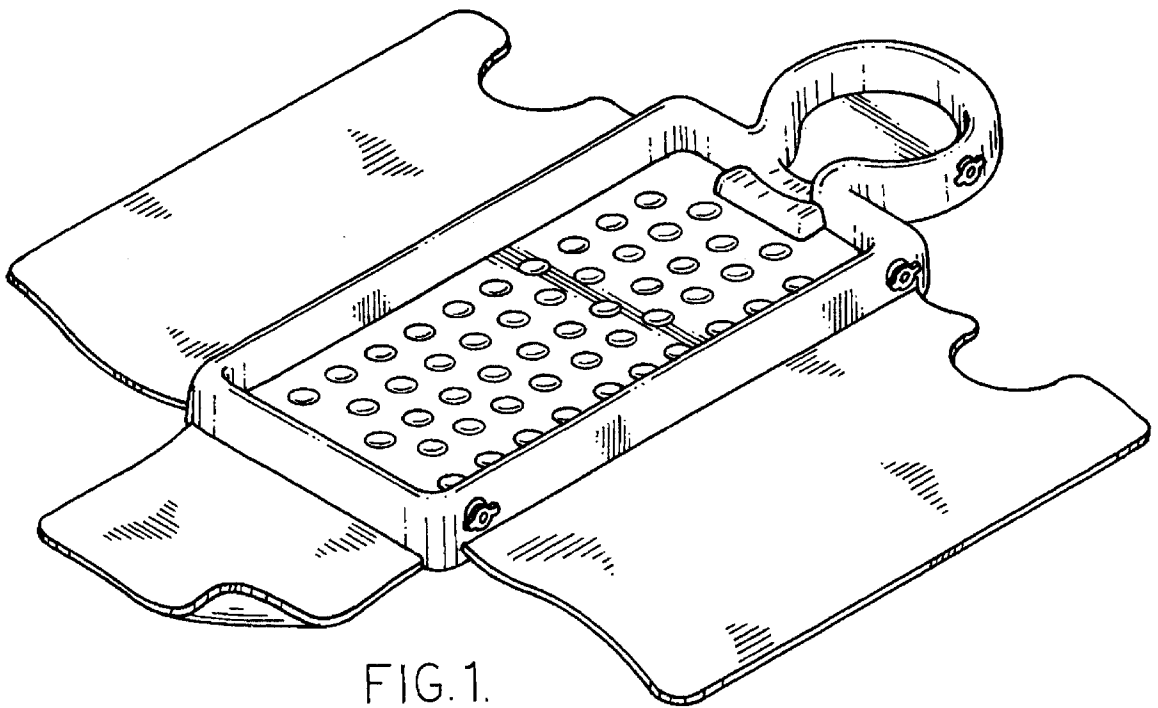


FIG. 1.

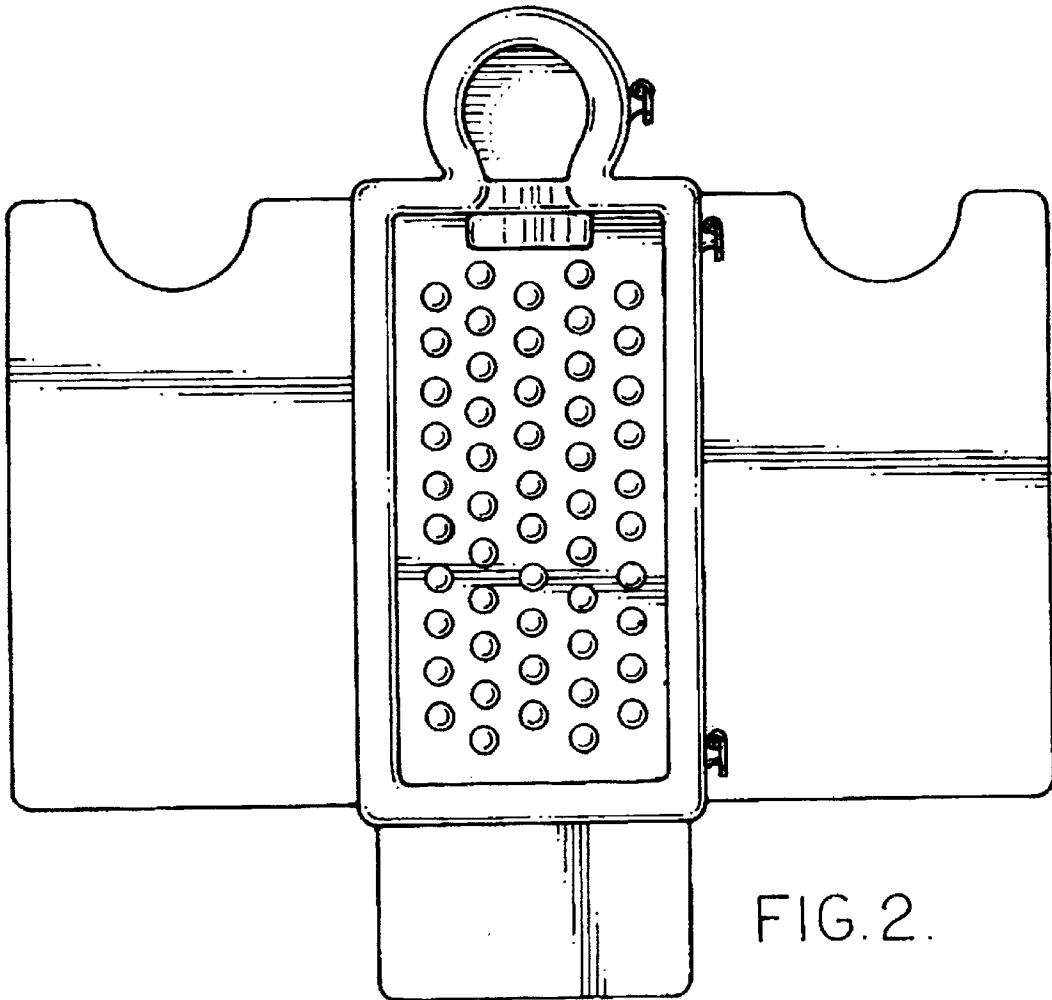


FIG. 2.



FIG. 7.

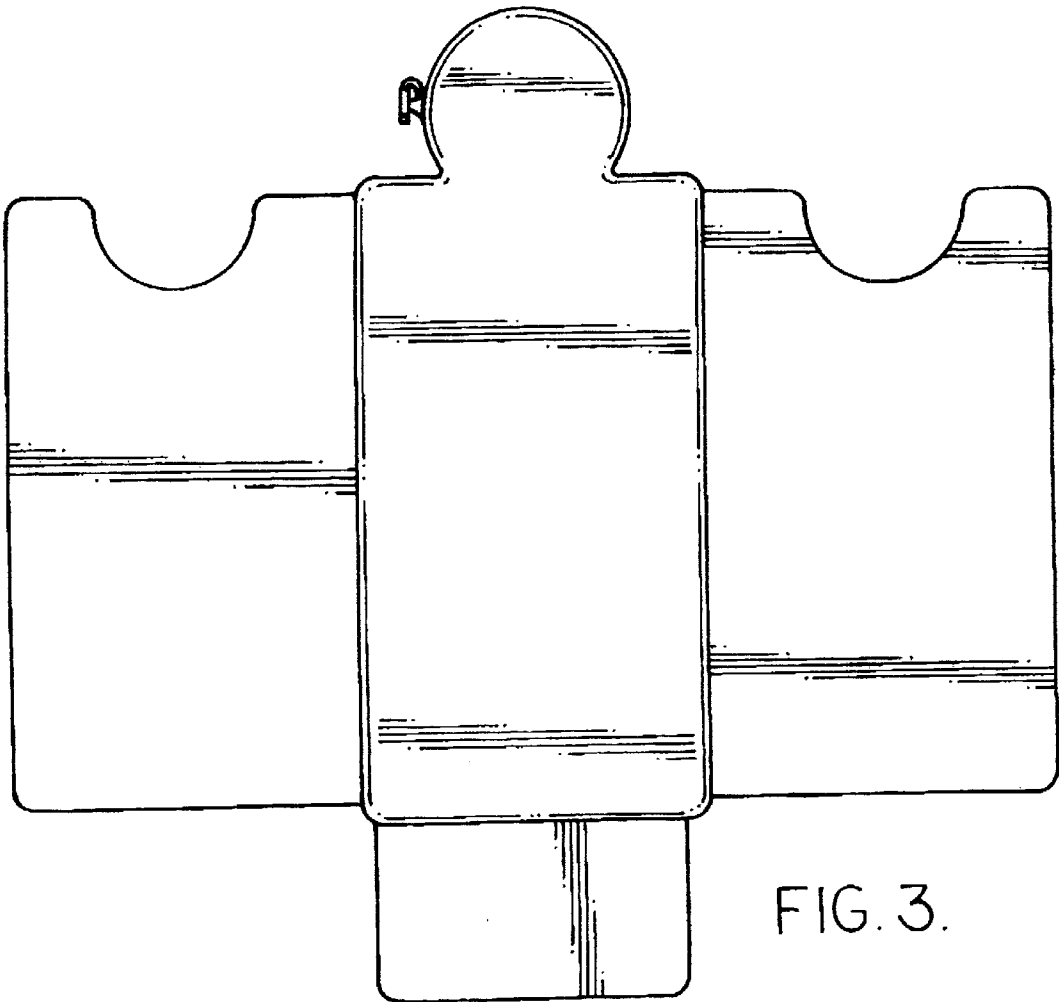


FIG. 3.

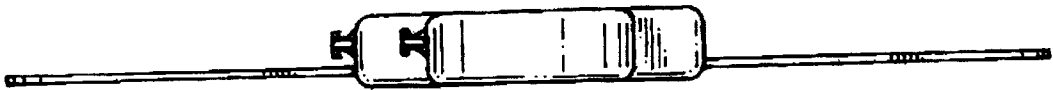


FIG. 6.



FIG. 4.



FIG. 5.