



US00D763521S

(12) **United States Design Patent**
Yao

(10) **Patent No.:** **US D763,521 S**

(45) **Date of Patent:** **** Aug. 9, 2016**

(54) **ULTRASONIC CLEANING MACHINE**

(71) Applicant: **Shenzhen Codyson Electrical Co., Ltd.**, Shenzhen (CN)

(72) Inventor: **Xingyuan Yao**, Shenzhen (CN)

(73) Assignee: **SHENZHEN CODYSON ELECTRICAL CO., LTD.**, Shenzhen (CN)

(**) Term: **14 Years**

(21) Appl. No.: **29/516,663**

(22) Filed: **Feb. 4, 2015**

(51) **LOC (10) Cl.** **15-05**

(52) **U.S. Cl.**

USPC **D32/1**

(58) **Field of Classification Search**

USPC D32/1, 15, 16; D24/117, 167, 186, 217; D28/73, 74, 75, 76, 77, 78; 134/58 R, 134/85, 6, 11; 451/65; 206/373

CPC A47L 11/125; B60S 3/044; B25H 3/02
See application file for complete search history.

(56) **References Cited**

U.S. PATENT DOCUMENTS

- 4,995,409 A * 2/1991 Watts B60S 3/044 134/111
- D516,257 S * 2/2006 Brackett D32/1
- D574,961 S * 8/2008 Kitahara D24/186
- D593,262 S * 5/2009 Gong D24/217
- D633,260 S * 2/2011 Choi D32/1
- D633,663 S * 3/2011 Choi D32/1
- D682,490 S * 5/2013 Goetzke D32/1

- D685,540 S * 7/2013 Yao D32/1
- D687,150 S * 7/2013 Segman D24/186
- D687,951 S * 8/2013 Della Torre D24/167
- D713,995 S * 9/2014 Felder D28/73
- D746,476 S * 12/2015 Noda D24/186
- D747,567 S * 1/2016 Marks D32/1
- D748,872 S * 2/2016 Yao D32/1
- 2015/0128996 A1 * 5/2015 Dooley A47L 11/125 134/6
- 2016/0008972 A1 * 1/2016 Chen B25H 3/02 206/373

FOREIGN PATENT DOCUMENTS

WO WO 2015073187 A1 * 5/2015 A47L 11/125

* cited by examiner

Primary Examiner — Rosemary K Tarca

Assistant Examiner — Yolanda Robinson

(74) *Attorney, Agent, or Firm* — Matthias Scholl, PC; Matthias Scholl

(57) **CLAIM**

The ornamental design for an ultrasonic cleaning machine, as shown and described.

DESCRIPTION

FIG. 1 is a front elevational view of an ultrasonic cleaning machine;

FIG. 2 is a rear elevational view thereof;

FIG. 3 is a left side elevational view thereof;

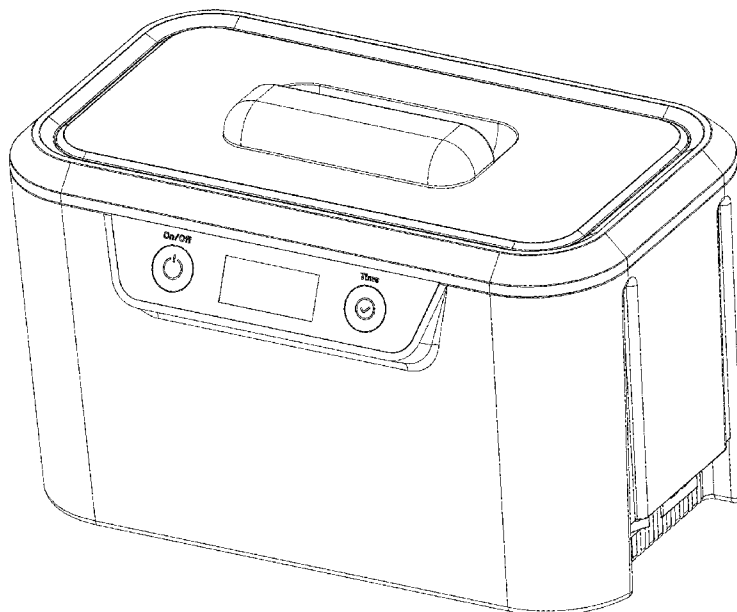
FIG. 4 is a right side elevational view thereof;

FIG. 5 is a top plan view thereof;

FIG. 6 is a bottom plan view thereof; and,

FIG. 7 is a perspective view thereof.

1 Claim, 7 Drawing Sheets



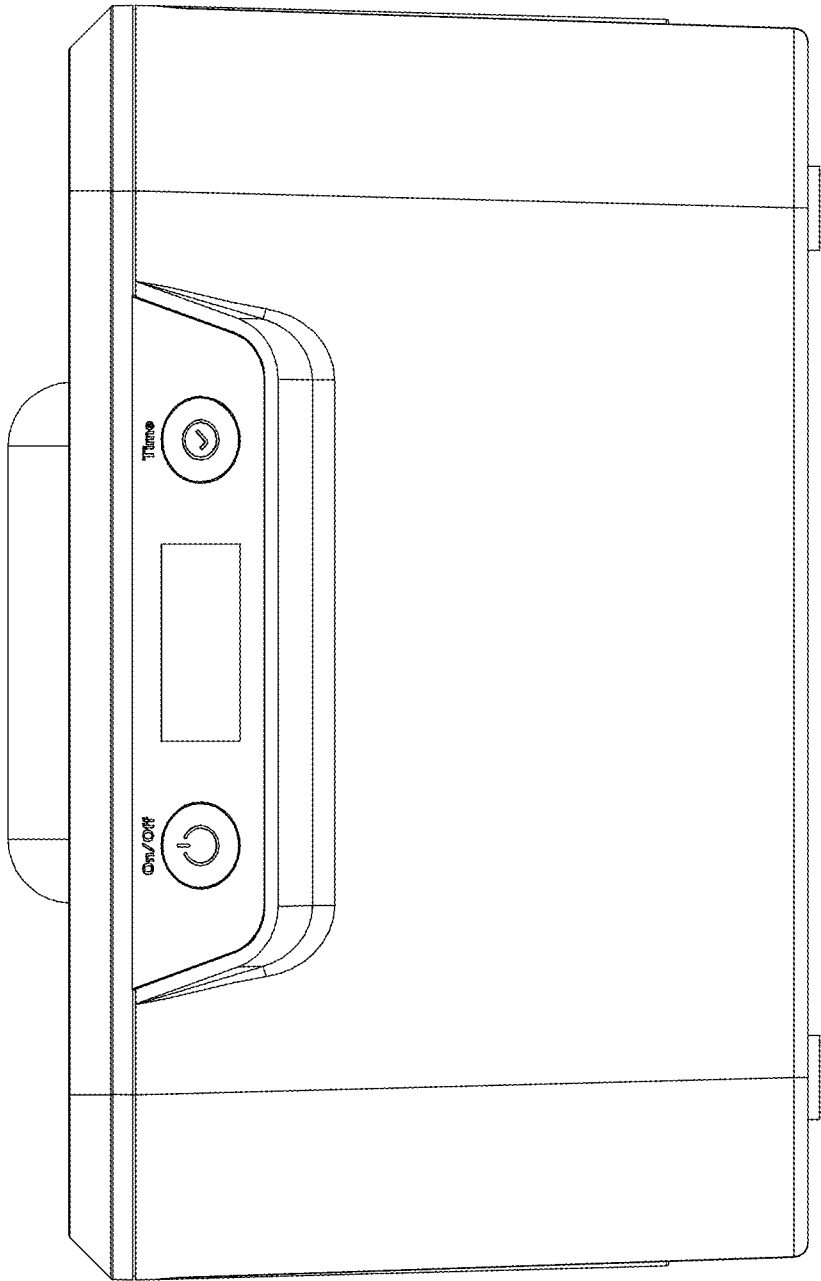


FIG. 1

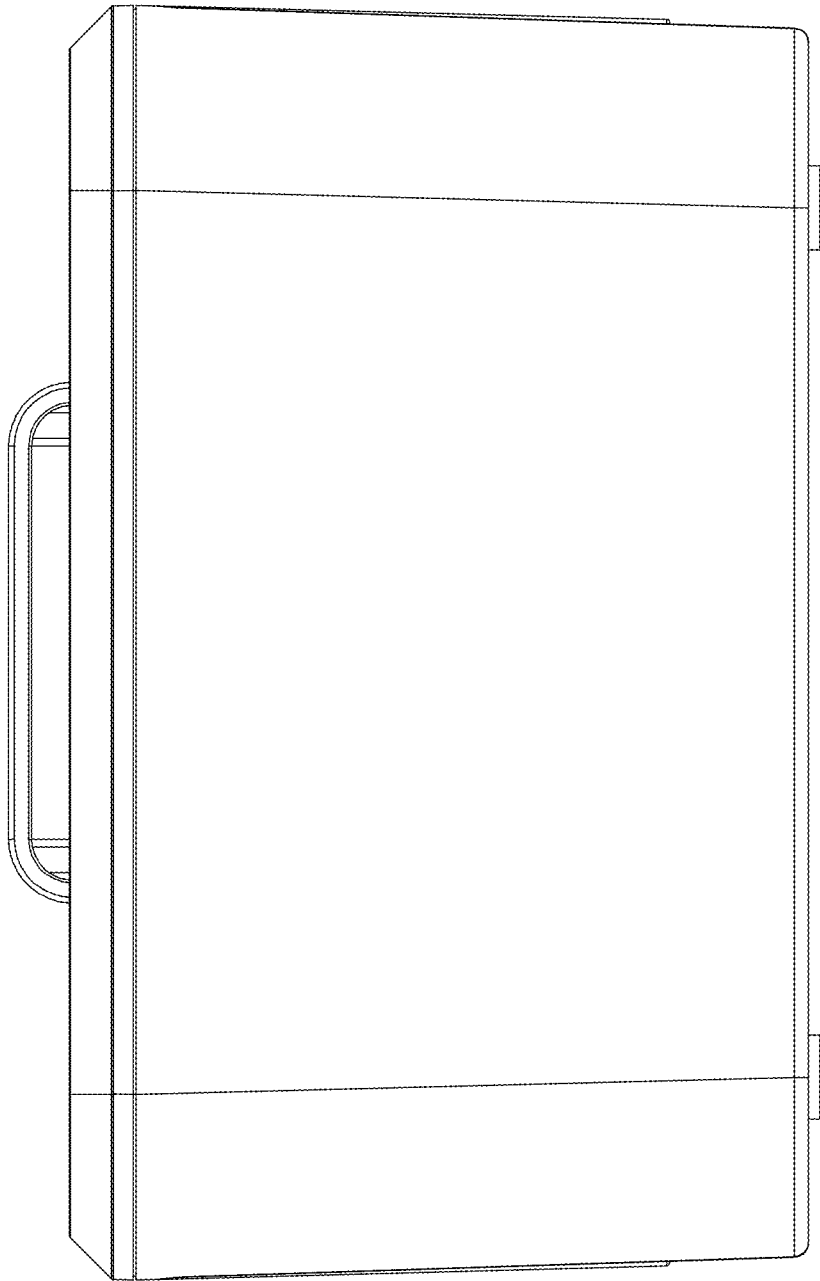


FIG. 2

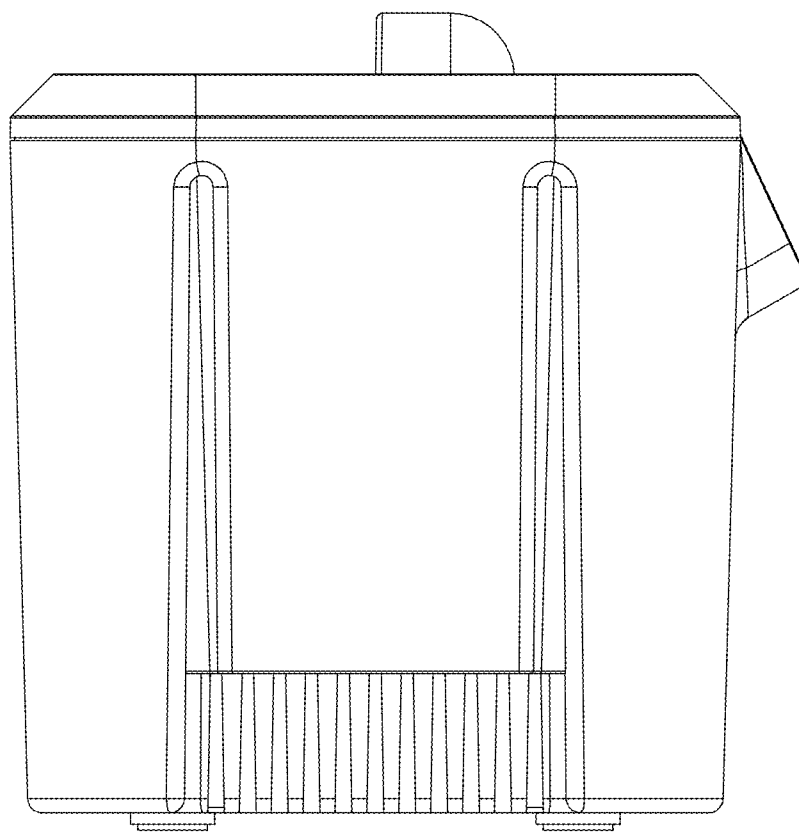


FIG. 3

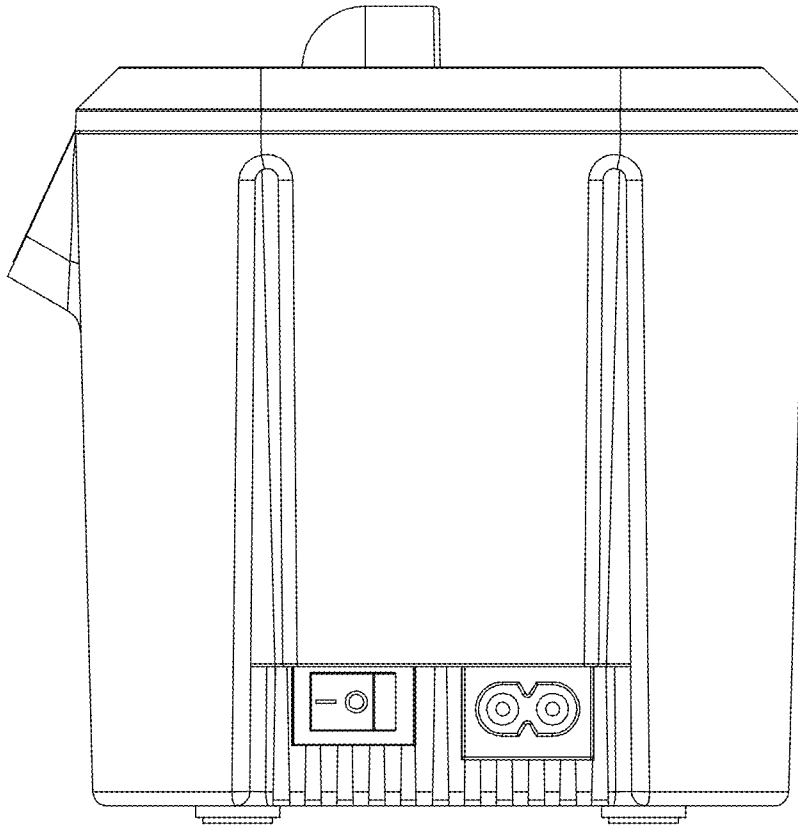


FIG. 4

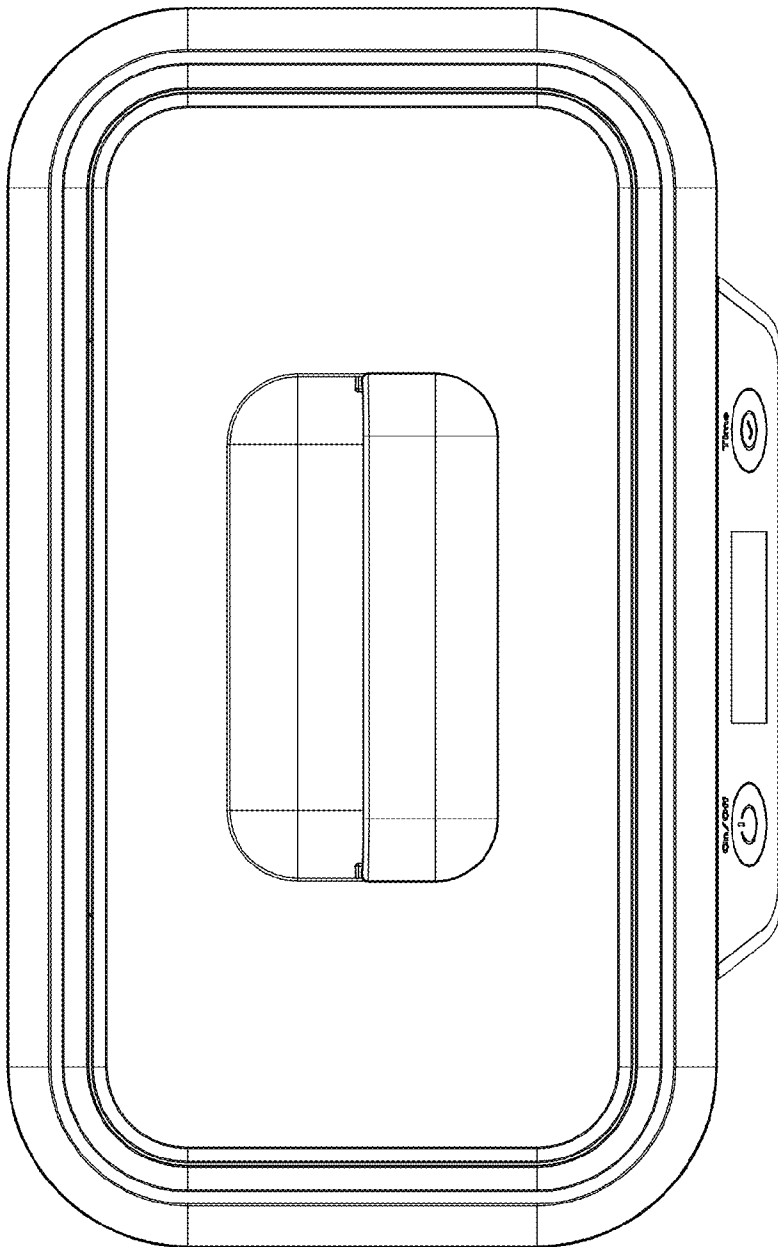


FIG. 5

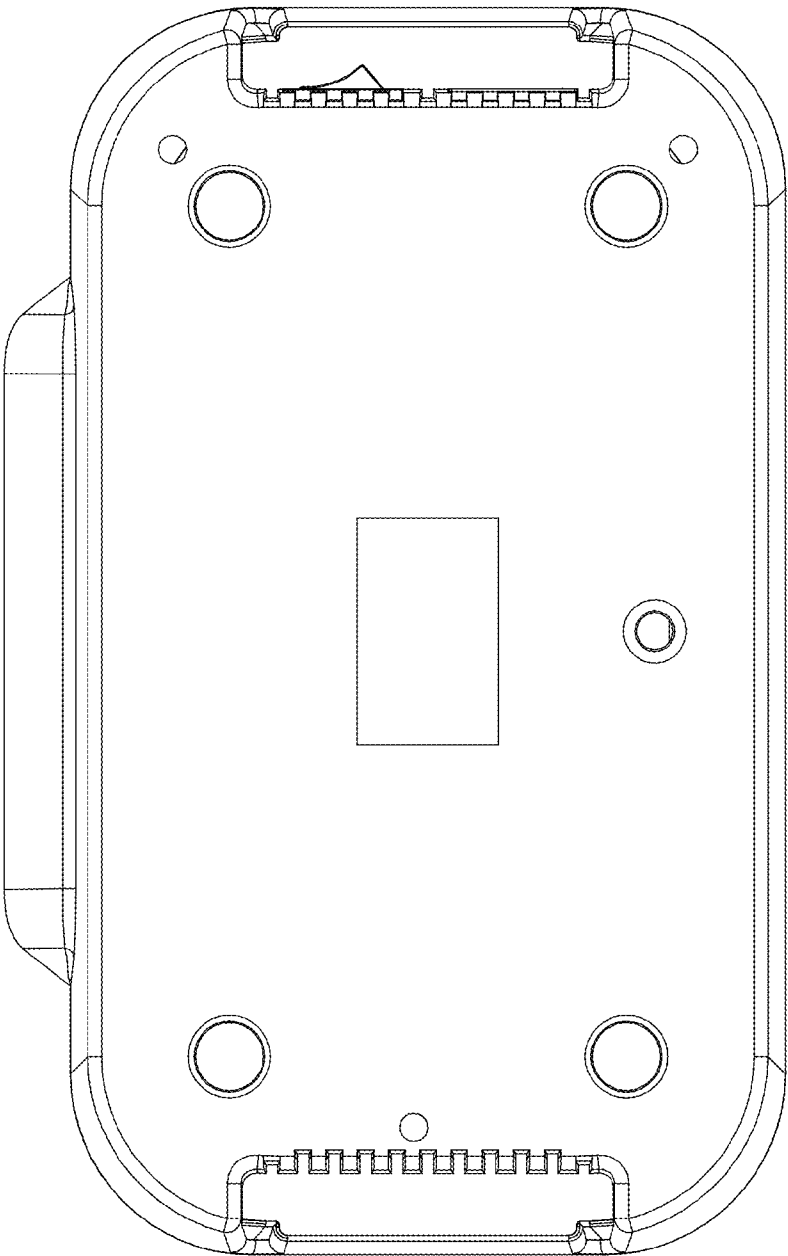


FIG. 6

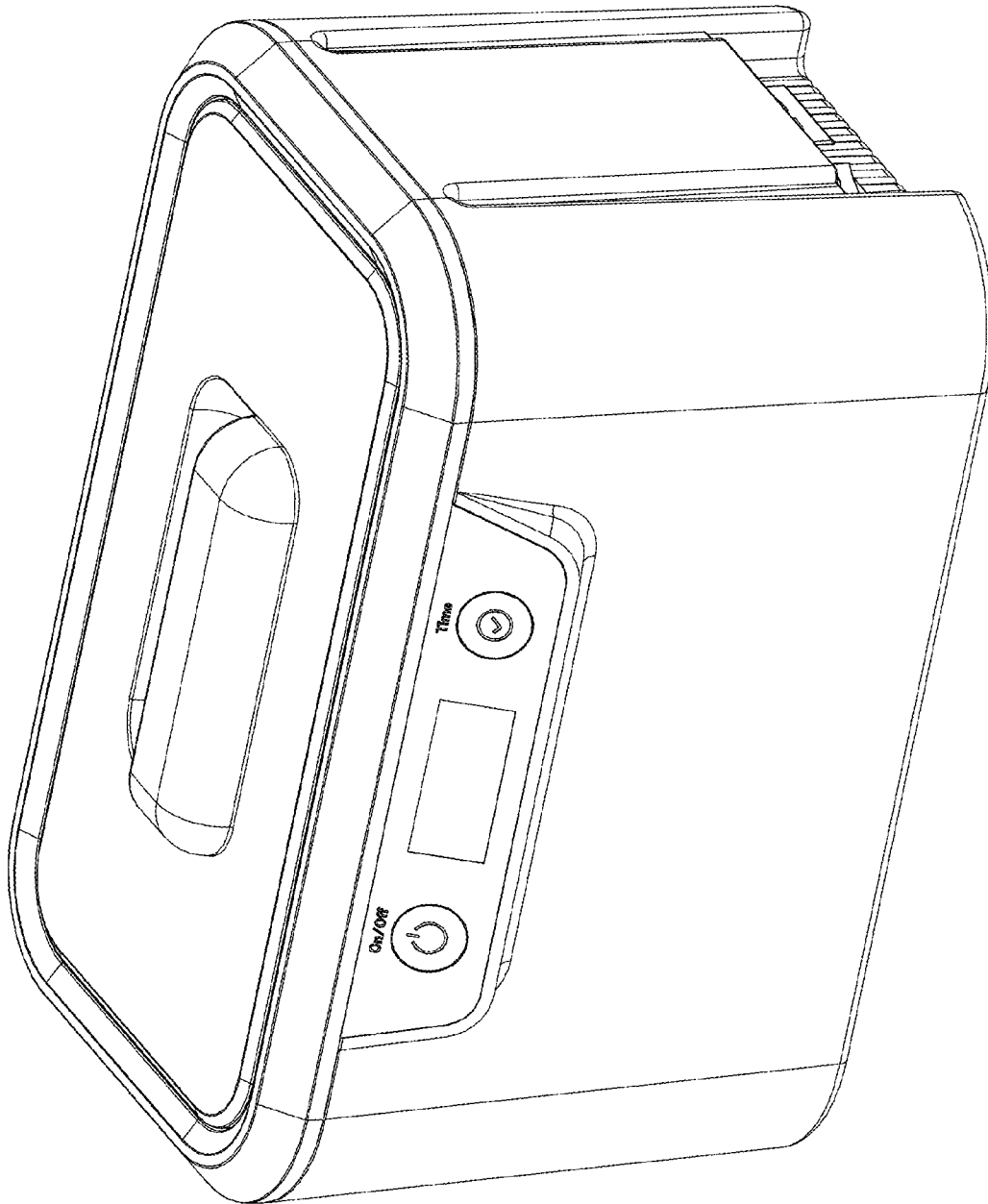


FIG. 7