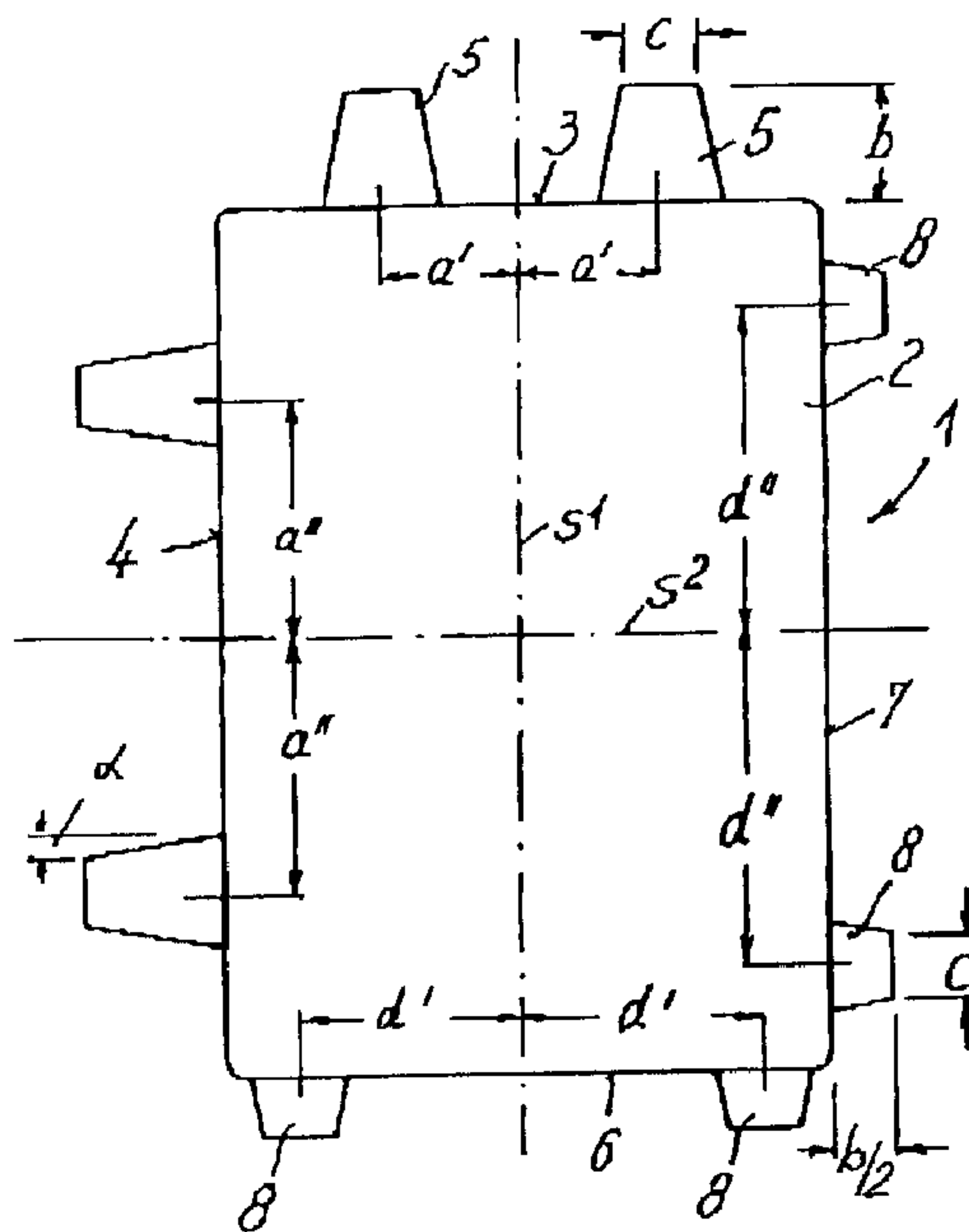




(86) Date de dépôt PCT/PCT Filing Date: 1997/01/08
 (87) Date publication PCT/PCT Publication Date: 1998/07/16
 (45) Date de délivrance/Issue Date: 2007/06/05
 (85) Entrée phase nationale/National Entry: 1998/09/08
 (86) N° demande PCT/PCT Application No.: EP 1997/000041
 (87) N° publication PCT/PCT Publication No.: 1998/030754

(51) Cl.Int./Int.Cl. *E01C 5/06* (2006.01),
E01C 9/00 (2006.01)
 (72) Inventeur/Inventor:
GEIGER, PETER, DE
 (73) Propriétaire/Owner:
GEIGER, PETER, DE
 (74) Agent: ROBIC

(54) Titre : PAVE EN BETON
 (54) Title: CONCRETE MATERIAL PAVING STONE



(57) Abrégé/Abstract:

The invention concerns a concrete material paving stone having an integrally flat surface and two strip-shaped support lugs which are vertically disposed on each side surface and form gaps between adjacent paving stones in the composite structure. According to the invention, in order to prevent unintentional displacements parallel to the plane in which the paving stones are laid, two support lugs (5) are symmetrically disposed on two adjacent side surfaces (3, 4) of the paving stone body (2) with a centre distance (a' , a'') relative to planes of symmetry ($s1$, $s2$) passing through the centres of the adjacent side surfaces (3, 4), the support lugs (5) having a thickness (b) and width (c). Symmetrically disposed on the respective opposite side surfaces (6, 7) are two support lugs (8) which are offset in the direction of the associated corner regions, have a centre distance (d' , d'') relative to the planes of symmetry ($s1$, $s2$) and a thickness of substantially $b/2$ and a width (c). When the paving stones are laid in a crosswise design, depending on the association of the side faces, the support lugs (5) can be inserted between the support lugs (8) or, in a stretcher arrangement, they can be inserted between the support lugs (8) and engage in clamp-like manner over support lugs (8) of adjacent paving stones (1).



PCT WELTORGANISATION FÜR GEISTIGES EIGENTUM
Internationales Büro
INTERNATIONALE ANMELDUNG VERÖFFENTLICHT NACH DEM VERTRAG ÜBER DIE
INTERNATIONALE ZUSAMMENARBEIT AUF DEM GEBIET DES PATENTWESENS (PCT)

<p>(51) Internationale Patentklassifikation⁶ : E01C 5/06</p>	<p>A1</p>	<p>(11) Internationale Veröffentlichungsnummer: WO 98/30754</p> <p>(43) Internationales Veröffentlichungsdatum: 16. Juli 1998 (16.07.98)</p>
<p>(21) Internationales Aktenzeichen: PCT/EP97/00041</p> <p>(22) Internationales Anmeldedatum: 8. Januar 1997 (08.01.97)</p> <p>(71)(72) Anmelder und Erfinder: GEIGER, Peter [DE/DE]; Re- gensburger Strasse 160, D-92318 Neumarkt (DE).</p> <p>(74) Anwalt: GÖBEL, Matthias; Pruppacher Hauptstrasse 5-7, D-90602 Pyrbaum-Pruppach (DE).</p>	<p>(81) Bestimmungsstaaten: CA, CN, JP, US, europäisches Patent (AT, BE, CH, DE, DK, ES, FI, FR, GB, GR, IE, IT, LU, MC, NL, PT, SE).</p> <p>Veröffentlicht <i>Mit internationalem Recherchenbericht.</i></p>	

(54) Title: CONCRETE MATERIAL PAVING STONE

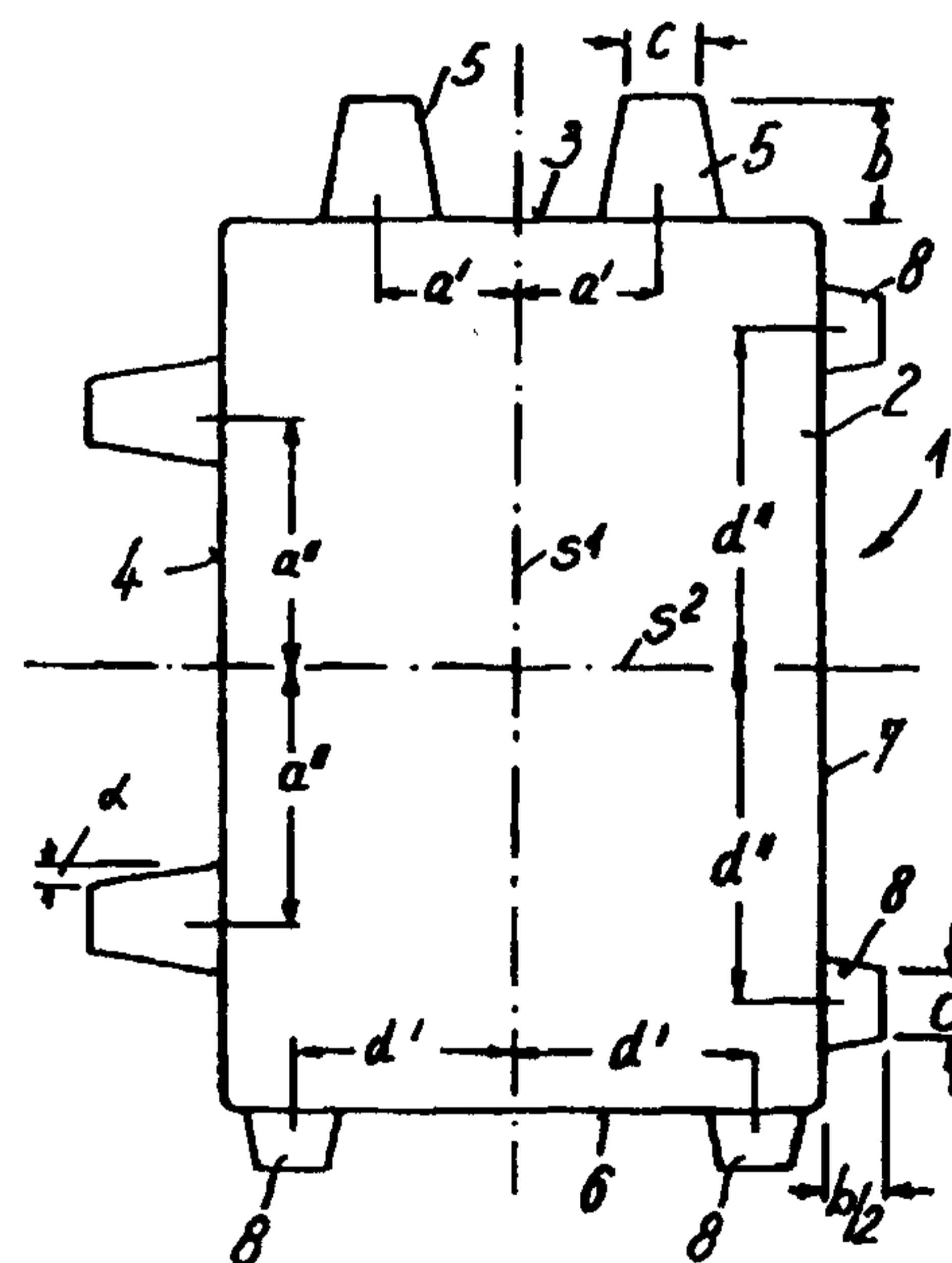
(54) Bezeichnung: PFLASTERSTEIN AUS BETONWERKSTOFF

(57) Abstract

The invention concerns a concrete material paving stone having an integrally flat surface and two strip-shaped support lugs which are vertically disposed on each side surface and form gaps between adjacent paving stones in the composite structure. According to the invention, in order to prevent unintentional displacements parallel to the plane in which the paving stones are laid, two support lugs (5) are symmetrically disposed on two adjacent side surfaces (3, 4) of the paving stone body (2) with a centre distance (a' , a'') relative to planes of symmetry (s_1 , s_2) passing through the centres of the adjacent side surfaces (3, 4), the support lugs (5) having a thickness (b) and width (c). Symmetrically disposed on the respective opposite side surfaces (6, 7) are two support lugs (8) which are offset in the direction of the associated corner regions, have a centre distance (d' , d'') relative to the planes of symmetry (s_1 , s_2) and a thickness of substantially $b/2$ and a width (c). When the paving stones are laid in a crosswise design, depending on the association of the side faces, the support lugs (5) can be inserted between the support lugs (8) or, in a stretcher arrangement, they can be inserted between the support lugs (8) and engage in clamp-like manner over support lugs (8) of adjacent paving stones (1).

(57) Zusammenfassung

Bei einem Pflasterstein aus Betonwerkstoff mit einer einstückig ebenen Oberfläche und mit je zwei an jeder Seitenfläche lotrecht angeordneten, leistenförmigen Stützansätzen, die im Verbund Fugen zwischen benachbarten Pflastersteinen bilden, ist zur Vermeidung von unbeabsichtigten Verschiebungen parallel zur Verlegeebene vorgesehen, daß an zwei benachbarten Seitenflächen (3, 4) des Pflastersteinkörpers (2) zwei Stützansätze (5) symmetrisch mit Mittenabstand (a' bzw. a'') zu durch die Mitten der benachbarten Seitenflächen (3, 4) verlaufenden Symmetrieebenen (s_1 bzw. s_2) angeordnet und mit einer Dicke (b) und Breite (c) ausgebildet sind und daß an den jeweils gegenüberliegenden Seitenflächen (6, 7) zwei Stützansätze (8) symmetrisch in Richtung der zugeordneten Eckbereiche versetzt mit einem Mittenabstand (d' bzw. d'') zu den Symmetrieebenen (s_1 bzw. s_2) und mit einer Dicke von im wesentlichen $b/2$ und Breite c ausgebildet sind und daß die Stützansätze (5) beim Verlegen im Kreuzverbund in Abhängigkeit von der Zuordnung der Seitenflächen zwischen Stützansätzen (8) einschiebbar oder im Läuferverbund zwischen Stützansätzen (8) einschiebbar und Stützansätze (8) benachbarter Pflastersteine (1) klammerartig übergreifen.



CONCRETE MATERIAL PAVING STONE

The invention relates to a paving stone made from Concrete material, with a one-piece plane surface and two strip-like support attachments arranged vertically on each lateral surface, said support attachments forming joints between adjacent paving stones in the laid composite structure.

In connection with known paving stones of the type specified
10 above, the support attachments rest against the lateral surfaces of adjacent paving stones when the latter are laid, forming spacing joints according to the association and design of the support attachments. The laying operations for installing such paving stones present problems in this connection because unintended shifting of the paving stones occurs in the composite structure parallel with the laying plane especially when laying is carried out with machines, causing the laying result to be uncertain and the laying pattern to be nonuniform and unclear.
20 Furthermore, displacements of the paving stones require finishing work operations, which are found to be costly in terms of time and labor.

The problem of the invention is to create measures for avoiding unintended parallel shifting, with the laying plane when installing paving stones made from concrete material; for facilitating the laying operation; and for achieving safe retention of the joints.

In accordance with the present invention, that problem is solved with a paving stone made of concrete material comprising:

- a) a rectangular body having a flat top side, a first set of opposite spaced side
30 surfaces comprising a first side and a third side, said first and third sides each having a first length and a first symmetry line s^1 bisecting said first and third

sides and a second set of opposite spaced sides comprising a second side and a fourth side having a second length and a second symmetry line s^2 bisecting these sides;

b) a first set of trapezoidal shaped support attachments having a width "b" extending out from said first side and said second side surfaces; and

c) a second set of trapezoidal shaped support attachments having a width "b/2" extending out from said third side and said fourth side surfaces;

wherein said support attachments are arranged symmetrically on said sides spaced equidistant from said symmetry lines s^1 and s^2 so that said
 10 attachments are butt staggered or butt-jointed with adjacent paving stones so that said support attachments form adjacent side surfaces when said paving stones are placed together.

Said problem is solved according to the invention in that two support attachments are symmetrically arranged on two adjacent lateral surfaces of the body of the paving stone with planes of symmetry s_1 and s_2 , respectively, extending through the centers of the adjacent lateral surfaces with center spacings a' and a'' , respectively, relative to said planes, said support
 20 attachments having a thickness "b" and a width "c"; that on each of the lateral surfaces opposing each other, two support attachments are formed with a center spacing d' and, respectively, d'' , said attachments being symmetrically displaced in the direction of the associated corner areas and substantially having a thickness "b/2" and a width "c"; and that the support attachments having thickness "b" are, when the stones are laid in a cross-type composite structure, insertable between the support
 30 attachments designed with thickness "b/2" depending on the association of the lateral surfaces, or, when the stones are laid in a stretcher-type composite, are insertable between attachments with thickness b/2 and grip over support attachments with

thickness $b/2$ in the manner of clamps. The formation of attachments with different thicknesses on the lateral surfaces of the paving stone facilitates the manual or mechanical installation by avoiding unintended parallel shifting of the paving stones and laying of the latter in cross bond and stretcher-type configurations. Furthermore, the different thicknesses of the support attachments lead to exact laying patterns and their retention even if the composite pavement is subjected to high loads, for example motor vehicles driving thereon, etc. For forming the paving stone provision is made that the cross-sectional design of the paving stones is parallelogram-shaped, for example rectangular or in the form of a broad stone. Preferred are both types of support attachment, however, with a cross section designed in the form of a trapeze with equal legs, and with dimensions such that the support attachments have head areas with the same width "c" as well as a thickness "b" or " $b/2$ ", and lateral surfaces with the same angles of inclination "alpha" relative to the lateral surfaces of the body of the paving stone, said lateral surfaces of the attachments extending with increasing width toward the foot areas. A largely exact fit and play-free support of the paving stones is achievable in this way in the composite structure because the conicity of the support attachments promotes their fit to each other and contributes to avoid parallel shifting when laying the stones. According to a further development of the invention, provision is made that paving stones are realizable with rectangularly shaped paving stone bodies, the latter having dimensions of 210 x 130 mm, or with dimensions of 172 x 172 mm for square paving stone bodies. Furthermore, provision is made for dimensions of 240 x 160 mm as a mosaic measure for rectangular paving stones, whereas 200 x 200 mm was found to be an advantageous mosaic measure for paving stones with square bodies.

In further development of the paving stone, provision is made, furthermore, that on two adjacent lateral surfaces of the paving stone body, two support attachments are symmetrically arranged with spacings A' and A'' relative to planes of symmetry S_1 and, respectively, S_2 extending through the center of each of the adjacent lateral surfaces; that said support attachments are designed with a thickness "B" and a width "C"; and that the lateral surfaces opposing each other in each case have two support attachments with thickness "B/2" and width "C", said support attachments having a spacing between each other corresponding with thickness "C" and being displaced toward to corner area with a common spacing "H" and, respectively, "H'", thereby forming a receiving groove for an attachment designed with thickness "B". In this way, when paving stones are laid in stretcher-type and cross-bond composite patterns, the support attachments with thickness "B" can find support on lateral surfaces of the paving stone body of adjacent paving stones and one of said support attachments can in each case engage the space between the two support attachments with thickness "B/2", acting as a spring element. In this embodiment, too, the support attachments can be selectively designed with parallelogram-shaped cross sections, or in the trapezoidal form, and they can be dimensioned in such a way that both types of support attachment have head surfaces with the same width "C" as well as with a thickness "B" or "B/2", and lateral surfaces having the same angle of inclination "alpha" versus the lateral surfaces of the

body of the paving stone, whereby the support elements extend with increasing width toward the foot area. Furthermore, the rectangularly shaped paving stone bodies are designed with the dimensions 210 x 130 mm, and the square paving stone bodies with the dimensions 172 x 172 mm, whereby the mosaic measure of paving stones with rectangular bodies amounts to approximately 240 x 160 mm, and the one of the square paving stone body comes to 200 x 200 mm.

The present invention also concerns a paving stone made of concrete material comprising:

- (a) a rectangular body having a flat top side, a first set of opposite spaced side surfaces comprising a first side and a third side having a first length and a first symmetry line s^1 and a second set of opposite spaced side surfaces comprising a second side and a fourth side having a second length and a second symmetry line s^2 ;
- (b) a first set of trapezoidal shaped support attachments having a width "b" extending out from said first side and said second side wherein at least one of said support attachments on said first side has a bisecting line H' and at least one of said support attachments on said third side has a bisecting line H; and
- (c) a second set of trapezoidal shaped support attachments having a width "b/2" extending out from said second side and said fourth side;

wherein said first set of trapezoidal shaped support attachments are spaced equidistant from said symmetry lines s^1 and s^2 on said first and said second sides, and said second set of trapezoidal shaped support attachments are disposed on one side of symmetry lines s^1 and s^2 and are spaced apart from each other equidistant from symmetry lines H and H' that bisect one of said first set of support attachments, so that when a series of paving stones are stacked together, at least one of said first set of attachments on a first stone insert between said second set of attachments on an adjacent stone.

It is understood that dimensional deviations assuring retention of the functions of the paving; stones are covered by the invention.

Exemplified embodiments with the features essential to the invention are shown in the drawings and illustrate how the invention is realizable. In the drawings,

FIG. 1 shows a top view of a paving stone with a rectangular shape.

FIG. 2 shows a top view of a paving stone according to FIG. 1 with a rectangular shape by an enlarged view with dimensional data.

FIG. 3 shows a laying pattern with paving stones partly in a cross and partly in a stretcher-type configuration.

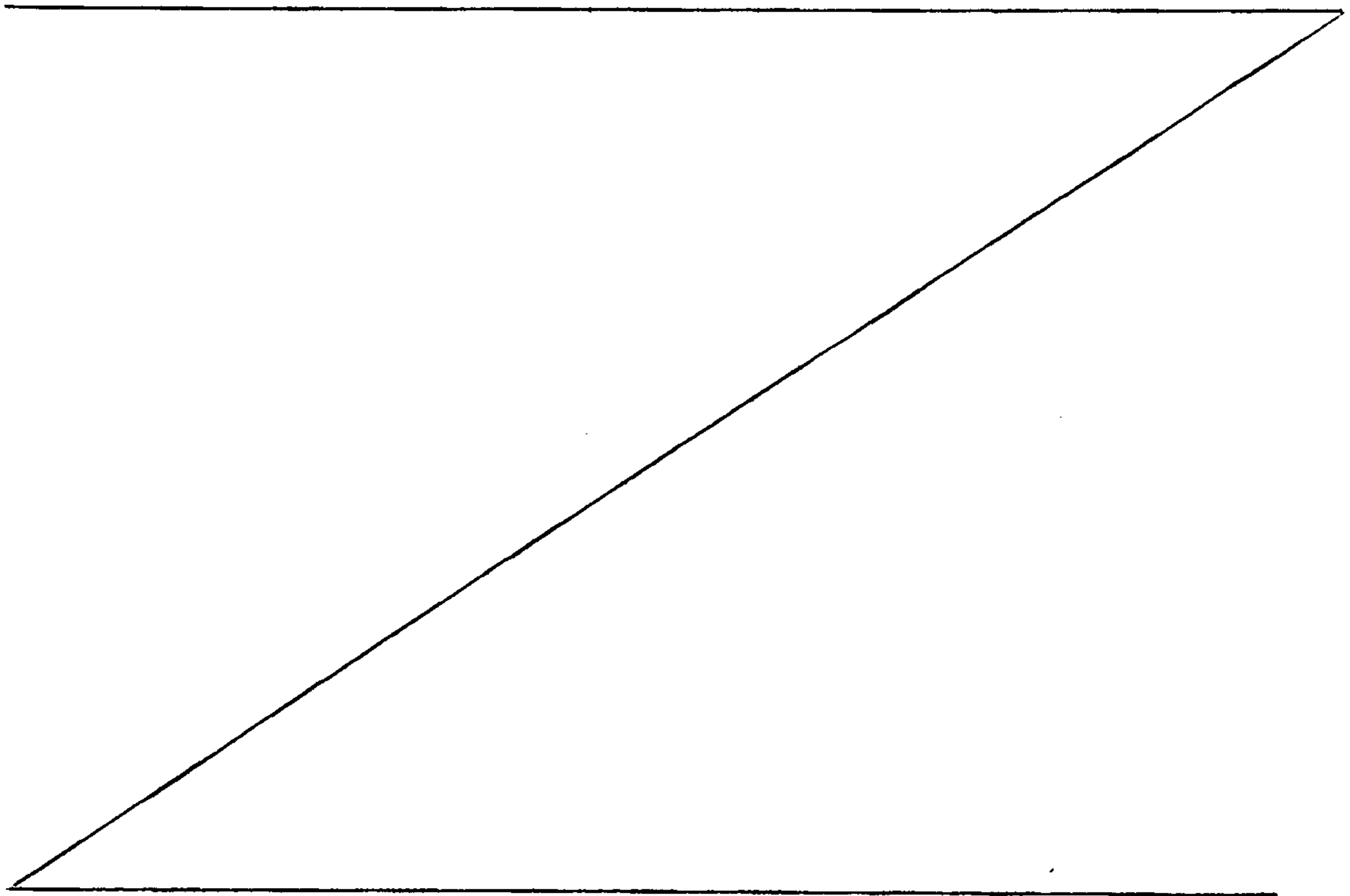


FIG. 4 shows a top view of a paving stone with a square shape.

FIG. 5 shows a top view of a paving Stone with a square shape and includes dimensional data.

FIG. 6 shows a laying pattern for paving stones according to FIG. 4 by a reduced top view.

FIG. 7 shows a laying pattern with paving stones partly laid in a cross and partly in a stretcher-type configuration.

FIG. 8 shows a top view of a paving stone with a rectangular design according to a modified embodiment.

FIG. 9 shows a laying pattern with paving stones according to FIG. 8, with a partly cross-type and a partly stretcher-type configuration.

FIG. 10 is a top view of a paving stone with a square shape.

FIG. 11 shows a laying pattern with paving stones according to FIG. 10 viewed from the top in a stretcher-type laying pattern.

FIG. 12 is a top view of a laying pattern with paving stones

according to FIG. 10 in a cross-type laying configuration.

FIG 13 is a top view of a paving stone with a rectangular shape according to another design.

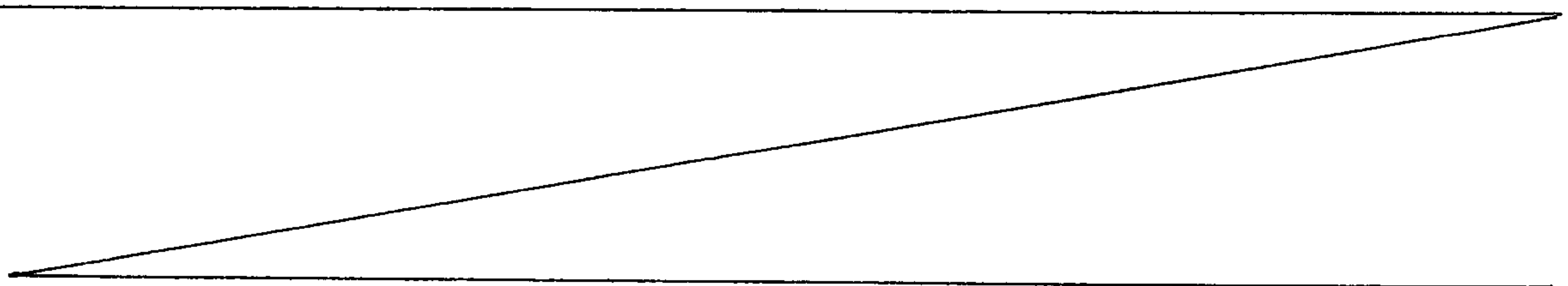
FIG. 14 is a top view of a paving stone with a rectangular shape according to yet another design.

FIG. 15 is a section according to .line XV-XV in FIG. 4, and

10

FIG. 16 is a section according to line XVI-XVI in Fig. 4.

FIGS. 1 to 3 show a paving stone 1 with a rectangular paving stone body 2, which has the support attachments 5 on lateral surfaces 3 and 4. Support attachments 5 are arranged symmetrically with center spacings a' and a'' , respectively, relative to symmetry planes s_1 and s_2 , and designed with a thickness "b" and a width "c". Furthermore, they are designed with a trapezoidal shape with equal legs with angle of inclination "alpha" of their lateral surfaces relative to the, lateral surfaces 3 and 4 of paving stone body 2. On lateral surfaces 6, 7 of paving stone body 2, support attachments 8 are symmetrically arranged with Center spacings d' and d'' , respectively, relative to symmetry planes s_1 and s_2 , respectively. Support attachments 8 are designed with thickness " $b/2$ " and width "c". Furthermore, spacings " d' " and " d'' " are selected in such a



way that the two support attachments 5 are jointly and simultaneously insertable in the space between support attachments 8 in order to achieve through support of the lateral surfaces displacement-free laying of the paving stone in the composite structure. The symbols used for the paving stone according to FIGS. 1 to 3 substantially denote the following dimensions:

a'	=	30mm
a''	=	60mm
d_1	=	50mm
d''	=	70mm
b	=	30mm
$b/2$	=	15mm
c	=	16mm
alpha	=	15 degrees.

FIG. 2 shows the paving stone of FIG. 1 with additional dimensional data. Support attachments 5 and 8 extend over part heights of paving stone 1 as shown in FIGS. 15, 16.

FIGS. 4 to 7 show a modified embodiment of a paving stone 9 with a square-shaped paving stone body 10. While paving stone 9 is shown in FIG. 4 schematically, paving stone 9 is shown in FIG. 5 in its natural form with dimensional data. With paving stone 9 according to FIGS. 4 to 7, two trapezoidal support attachments 5 with thickness "b" and width "c" are used on each of the lateral

surfaces 11 and 12, and two support attachments 8 with thickness "b/2" and width "c" on each of the lateral surfaces 13 and 14. The spacings of support attachments 5 and support attachments 8 on lateral surfaces 11, 12 and, respectively, 13, 14, are selected in such a way that in the composite structure as shown in FIG. 7, attachments 5 each engage the space between adjacent support attachments and grip over two adjacent support attachments, thereby preventing displacements of paving stones 9 parallel with the laying plane. FIG. 6 shows a multitude of paving stones 9 which, after having been pushed together, can be mechanically seized and laid as a composite structure. Laying takes place here in a cross-type composite pattern.

FIGS. 8 and 9 show a paving stone 15 with a rectangular paving stone body 33. Lateral surfaces 16, 17 of the latter have support attachments 5 in the trapezoidal form with center spacings A' and A'', respectively, symmetrically relative to planes of symmetry s1 and s2, respectively, and with thickness "B" and width "C", as well as support attachments 8 on lateral surfaces 19 and 20, said support attachments being arranged with a spacing next to each other and displaced relative to corner areas 21 with center spacings H and H'. Such displacement is selected here in such a way that in the composite structure, one of each two support attachments 5 of lateral surfaces 16, 17 engages the intermediate space of two attachments 8, whereas the other attachment 5 is freely in contact with lateral surfaces of the paving stone body of an identical paving stone to form a displacement-free composite structure. In FIG. 9, laying of paving stone 15 is shown on the right-hand side in a cross-like

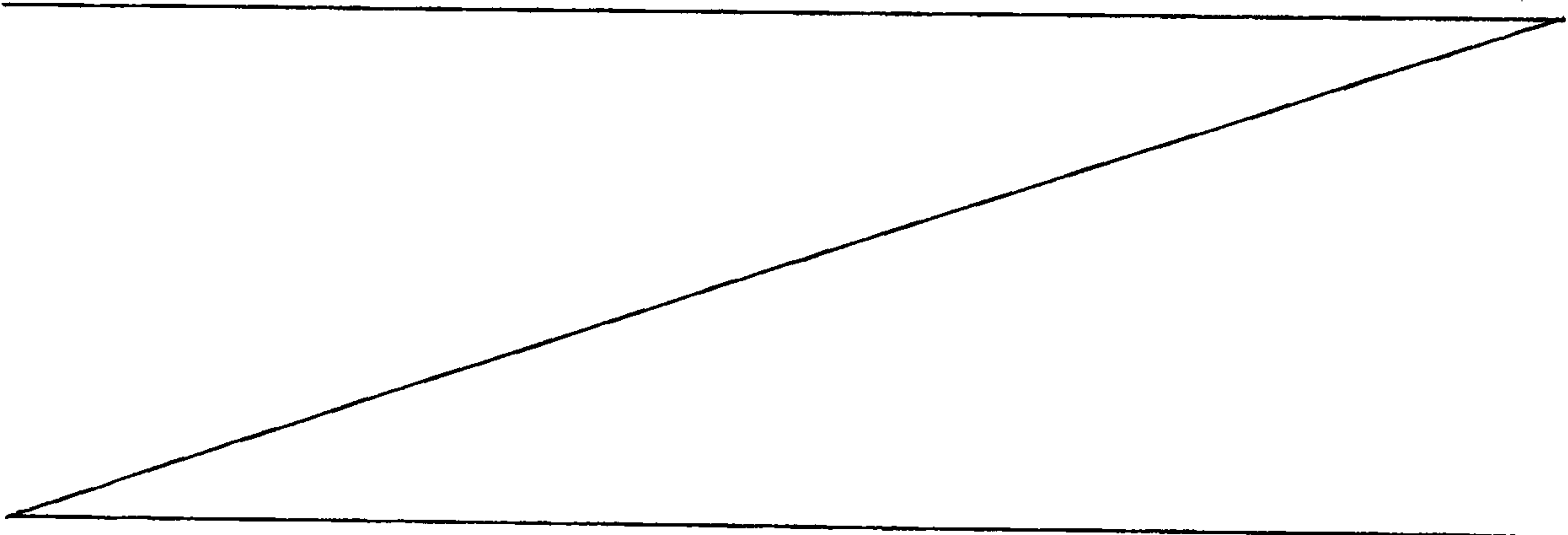
pattern, and on the left-hand side in a stretcher-type laying pattern.

In FIGS. 10 to 12, paving stone 22 has a square paving stone body 23. Lateral surfaces 24 and 25 again have support attachments 5 with thickness "B" and width "C", and lateral surfaces 26 and 27 have support attachments 8 with thickness "B/2" and width "C" with center spacing H, displaced relative to corner areas 28. Support attachments and 8 are arranged on

10 lateral surfaces 24 and 25 in such a way that in the composite structure as shown in FIGS. 11 and 12, one support attachment 5 is insertable between support attachments 8 of lateral surfaces 26, 27, whereas the other support attachment 5 in each case is at the same time resting against lateral surface 26, 27 in a supporting manner. Width "C" of support attachments 5 and 8 of FIGS. 10 to 12 is selected to amount to 13 mm, thickness "B" to amount to 27 mm, and thickness "B/2" to amount to about 13 mm. FIG. 11 shows paving stones 22 in a stretcher-type composite

20 layout, and FIG. 12 in a cross-type composite layout.

In the exemplified embodiments according to FIGS. 13 and 14, paving stones 29 and 30 are shown with support attachments 5 and 8 on paving stone bodies 31 and 32, respectively, which have the



shape of a parallelogram. Support attachments 5 and 8 are designed with thicknesses "b" and "b/2" and identical widths "c". In the present embodiments too, in the composite structure, support attachments 5 each engage the intermediate space of support attachments 8 or adjacent paving stones for displacement-free paving, or grip over support attachments 8 of adjacent paving stones installed in a stretcher-type composite pattern.

WHAT IS CLAIMED IS:

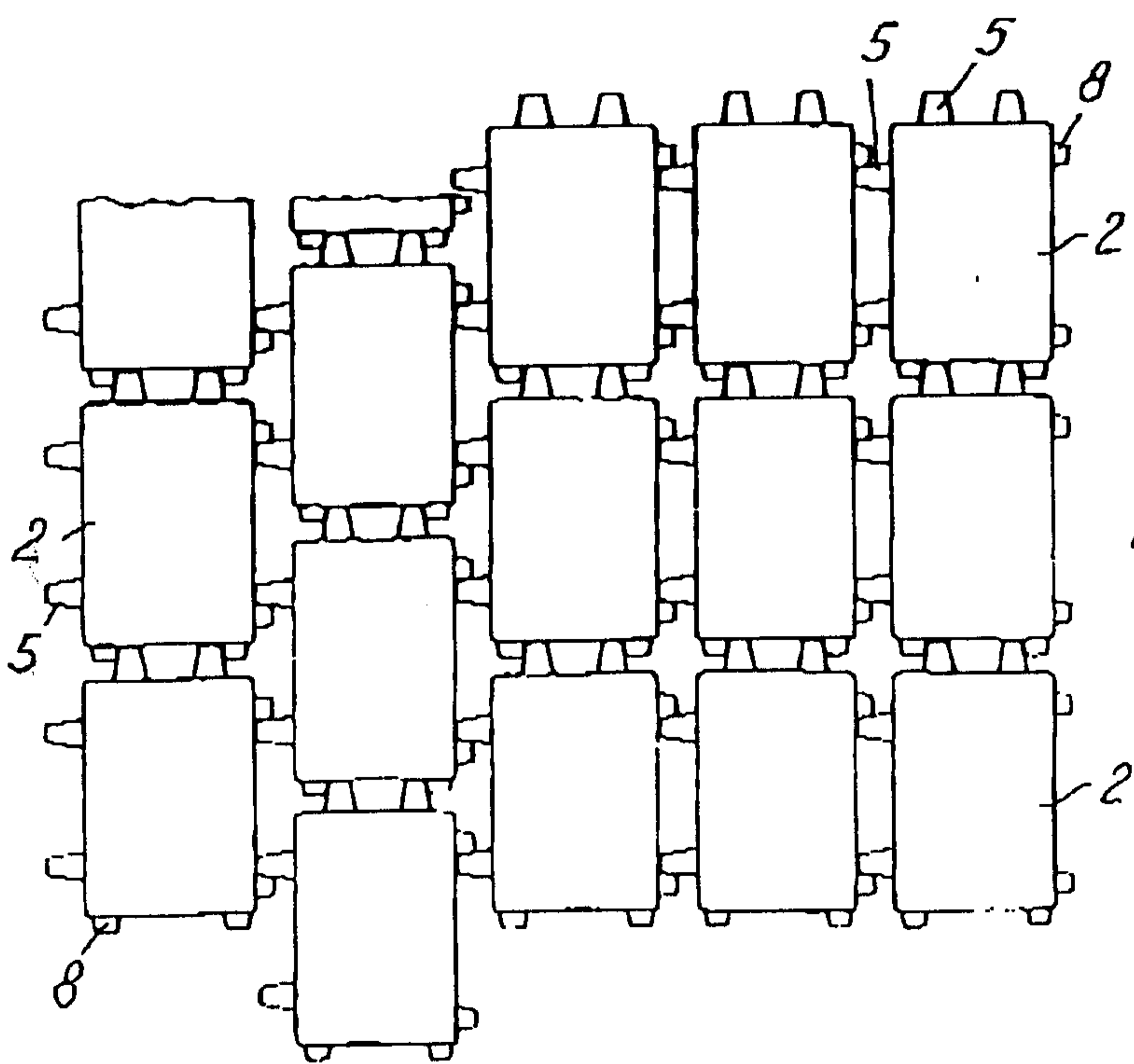
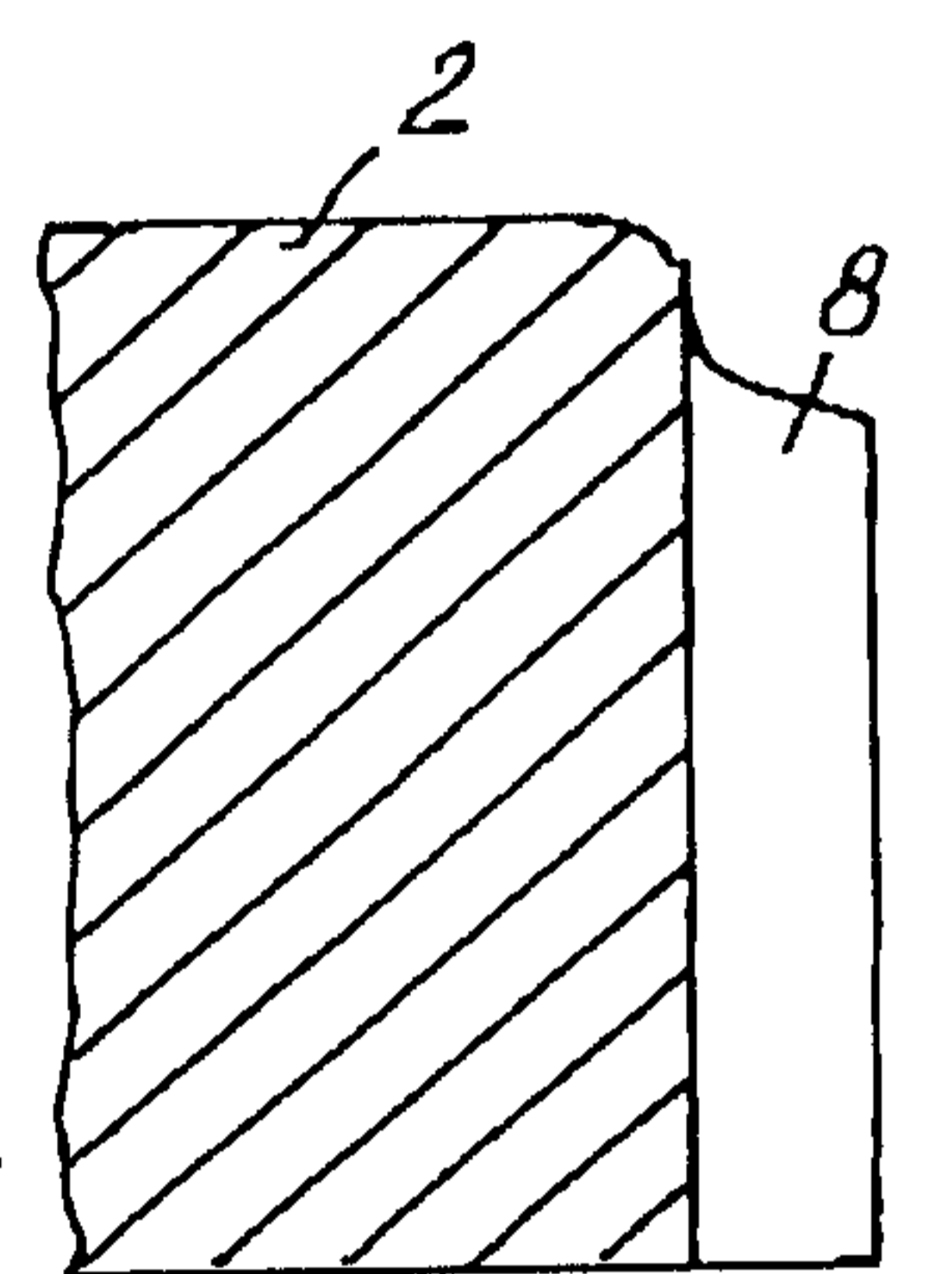
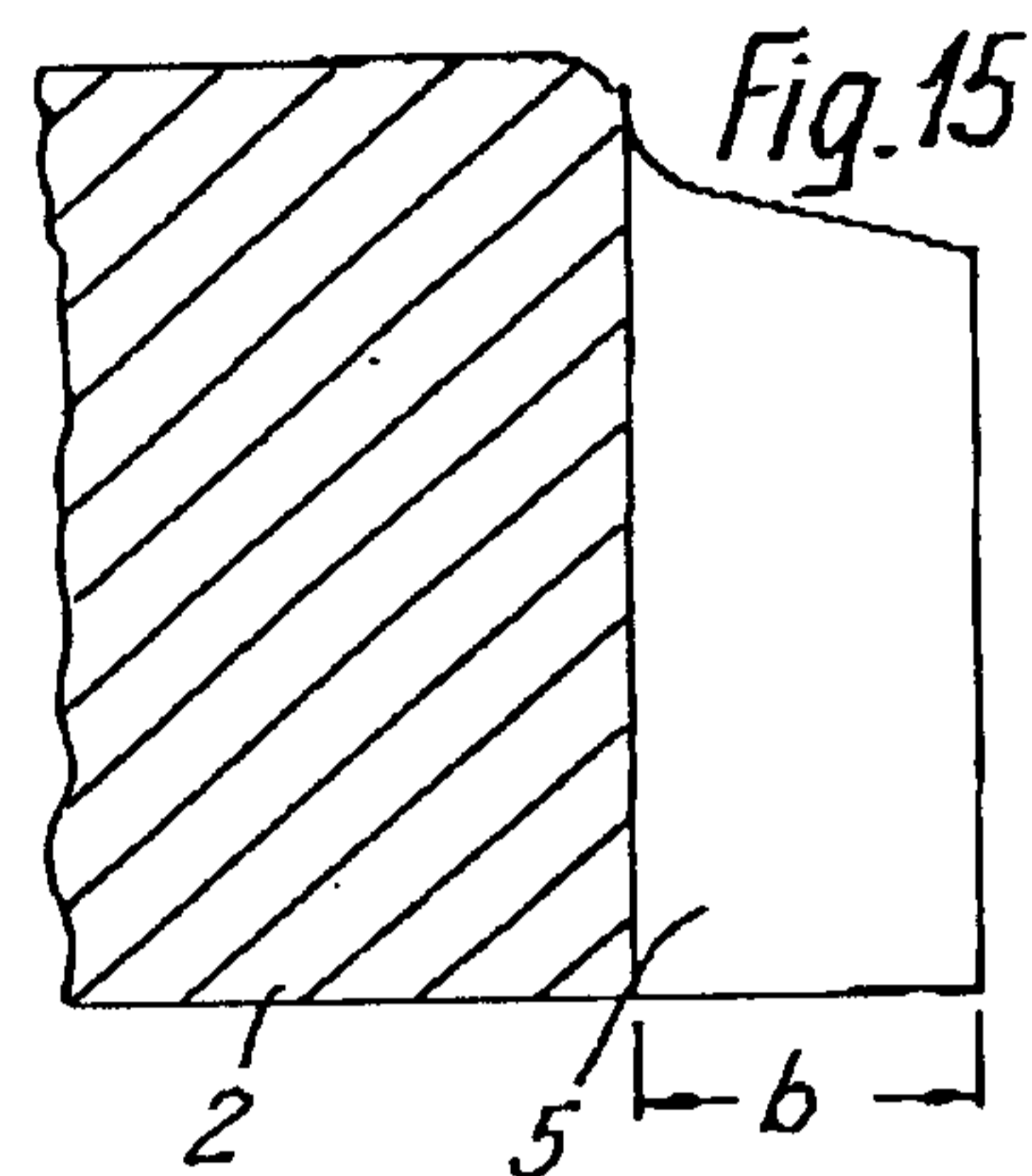
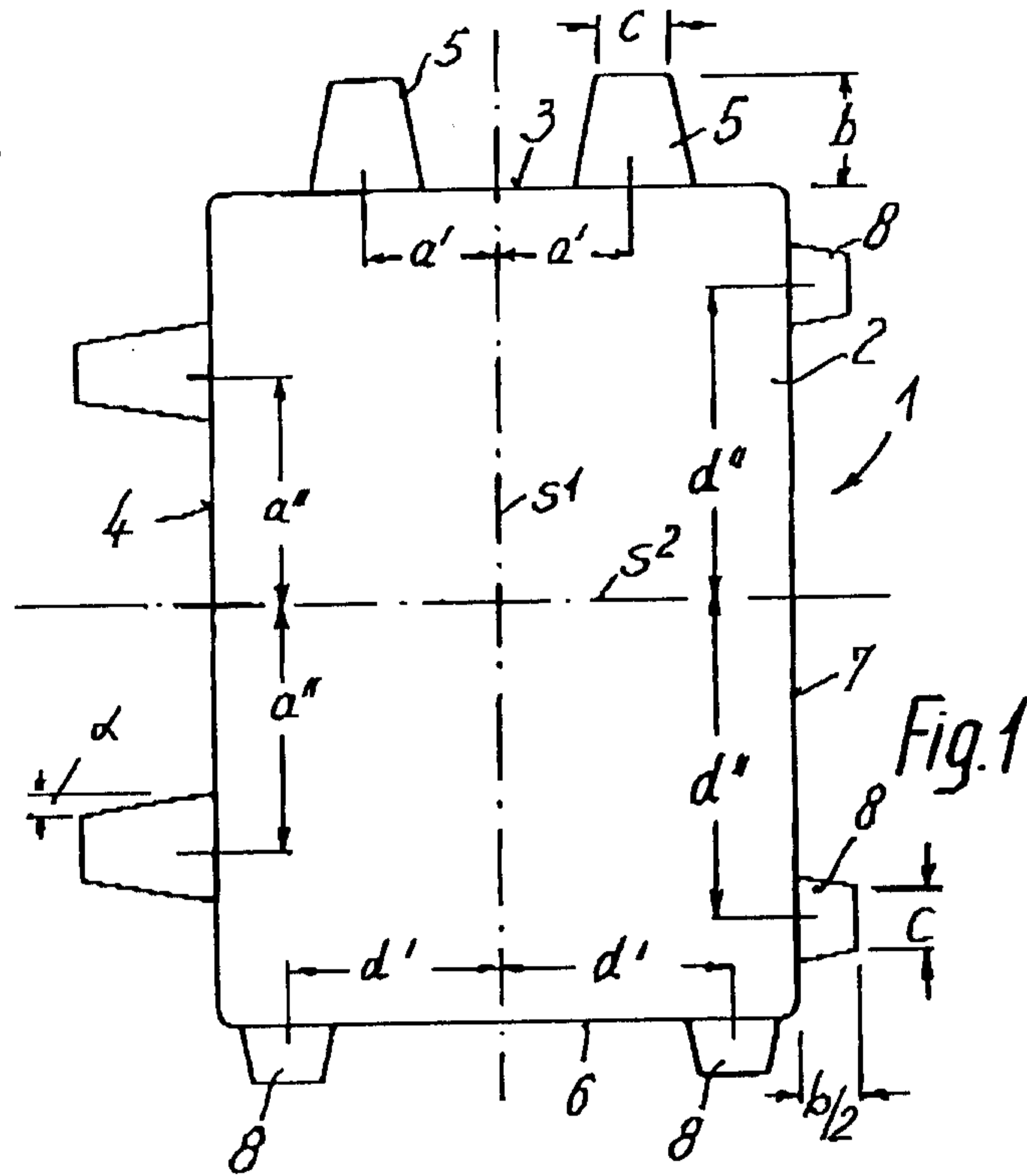
1. A paving stone made of concrete material comprising:
- (a) a rectangular body having a flat top side, a first set of opposite spaced side surfaces comprising a first side and a third side having a first length and a first symmetry line s^1 and a second set of opposite spaced side surfaces comprising a second side and a fourth side having a second length and a second symmetry line s^2 ;
 - (b) a first set of trapezoidal shaped support attachments having a width "b" extending out from said first side and said second side wherein at least one of said support attachments on said first side has a bisecting line H' and at least one of said support attachments on said third side has a bisecting line H; and
 - (c) a second set of trapezoidal shaped support attachments having a width "b/2" extending out from said seconde side and said fourth side;

10

wherein said first set of trapezoidal shaped support attachments are spaced equidistant from said symmetry lines s^1 and s^2 on said first and said second sides, and said second set of trapezoidal shaped support attachments are disposed on one side of symmetry lines s^1 and s^2 and are spaced apart from each other equidistant from symmetry lines H and H' that bisect one of said first set of support attachments, so that when a series of paving stones are stacked together, at least one of said first set of attachments on a first stone insert between said second set of attachments on an adjacent stone.

20

2. The paving stone according to claim 1, wherein said support attachments have a rectangular shapes in the horizontal cross section.



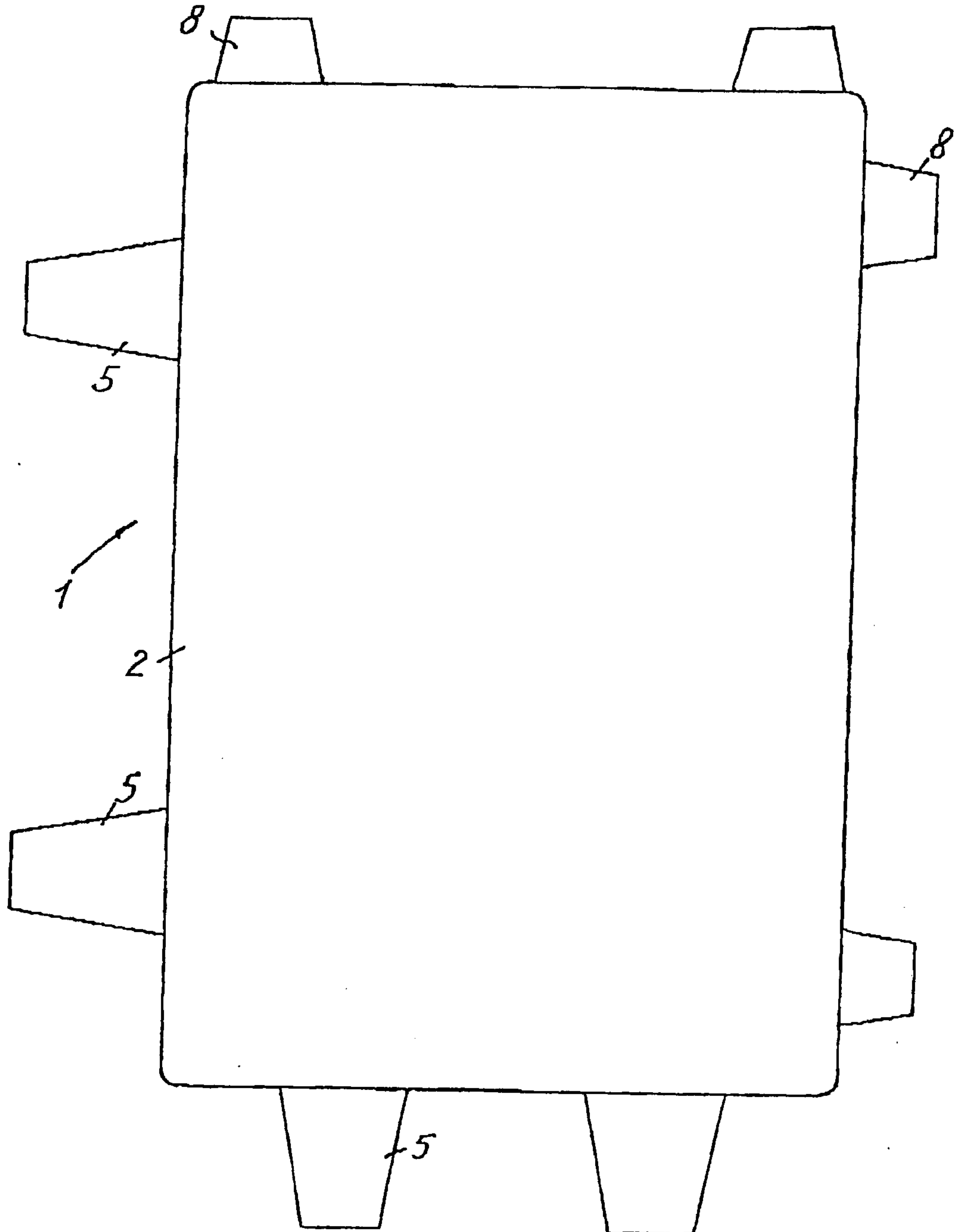
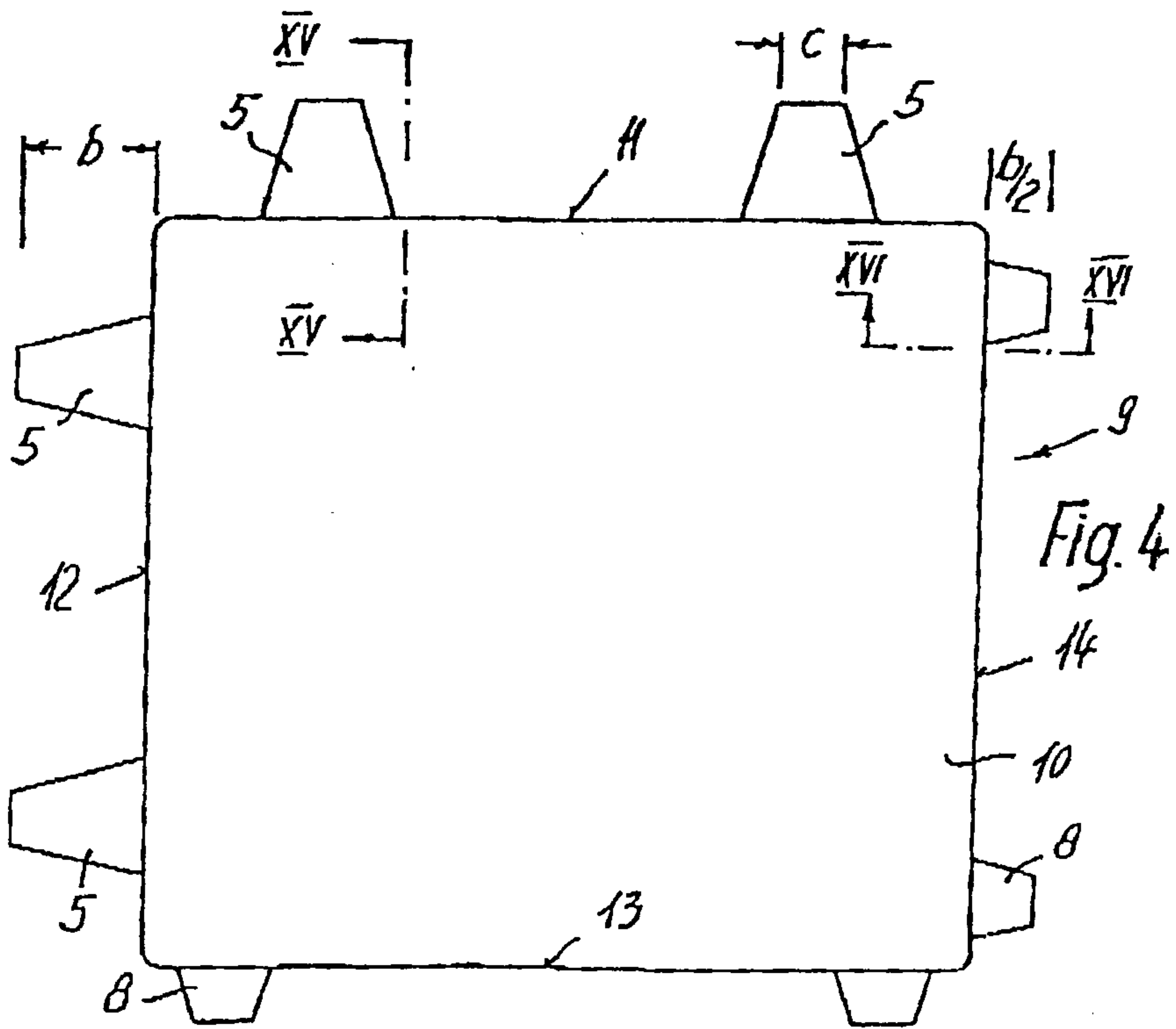
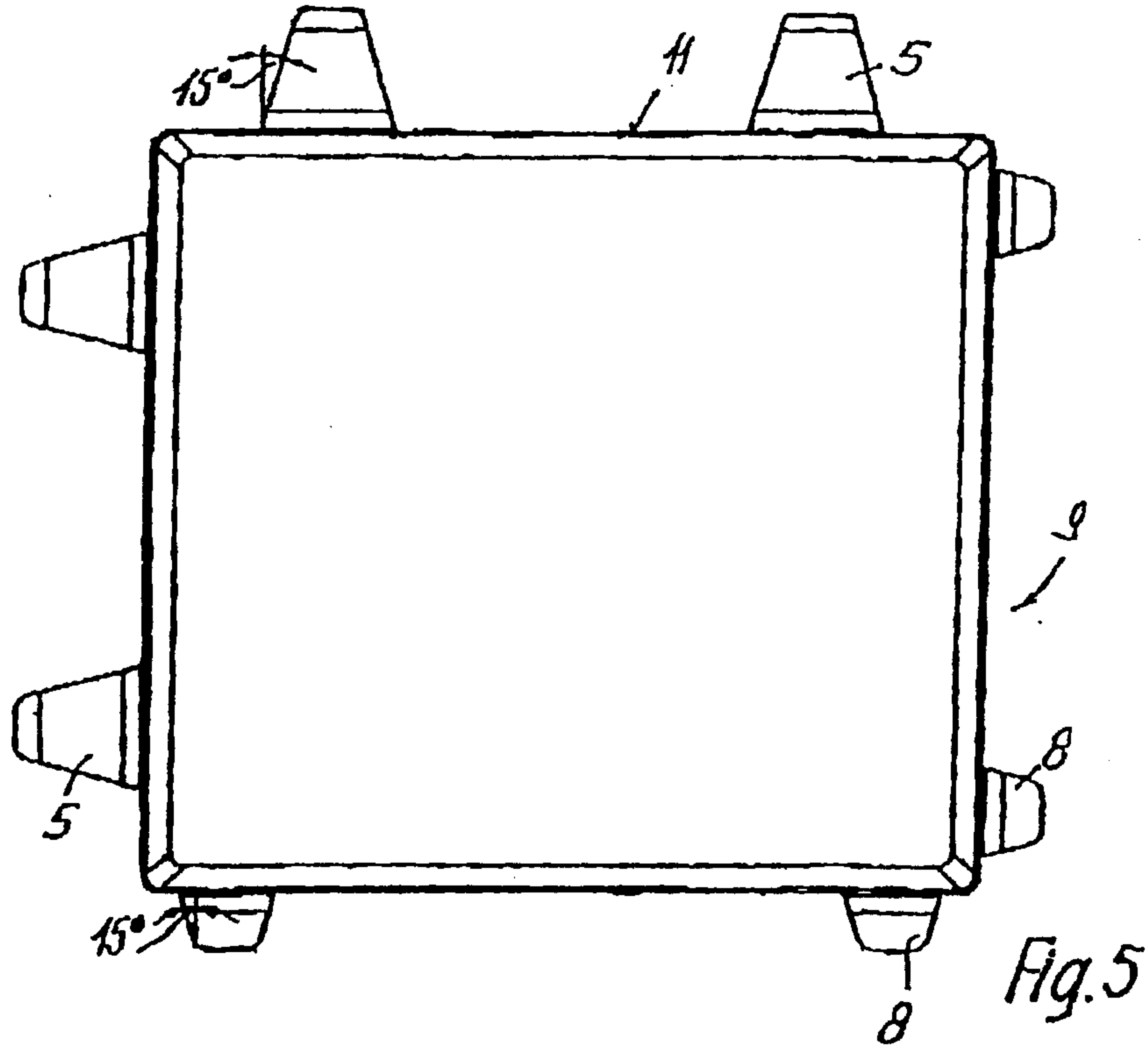
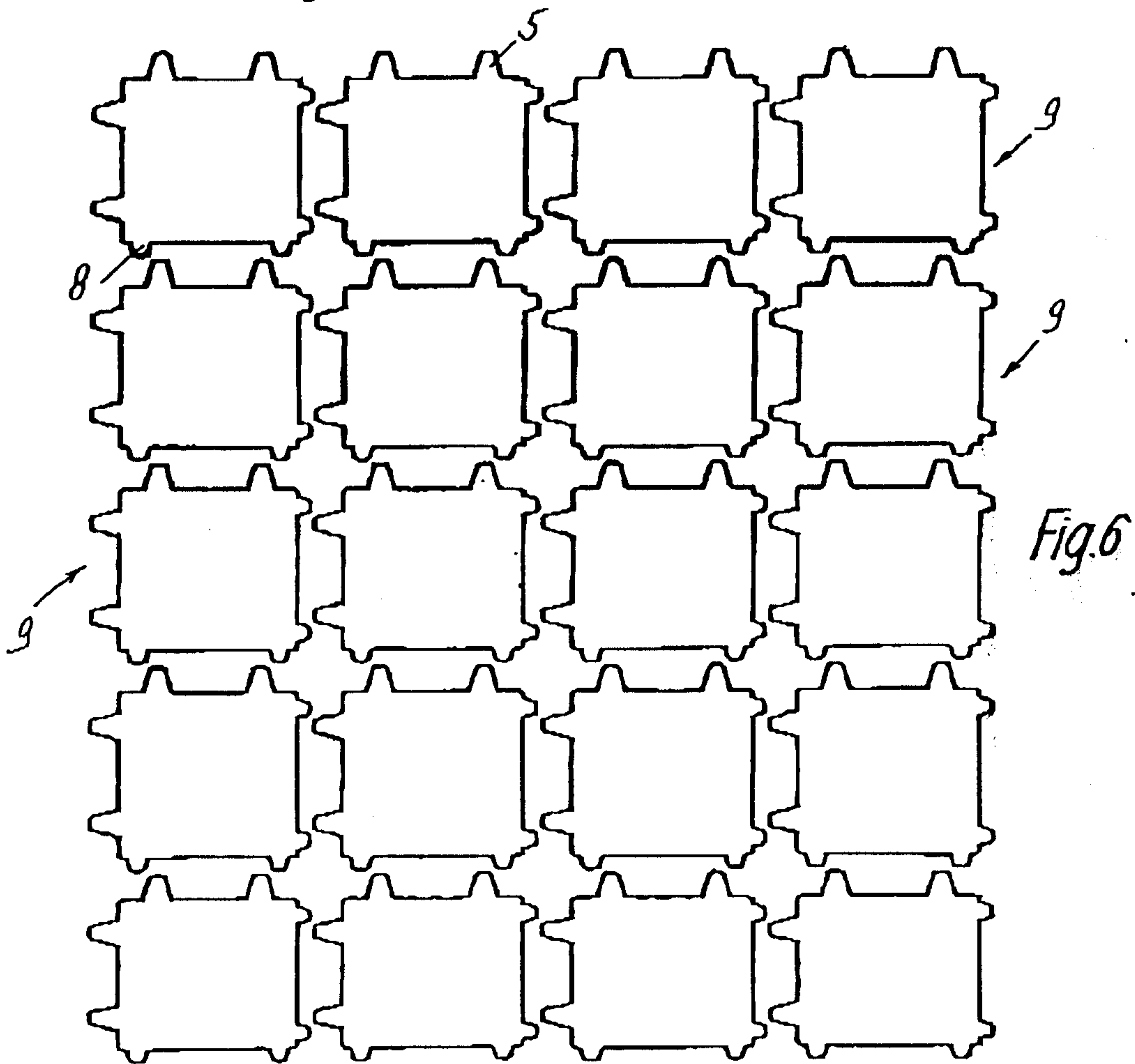
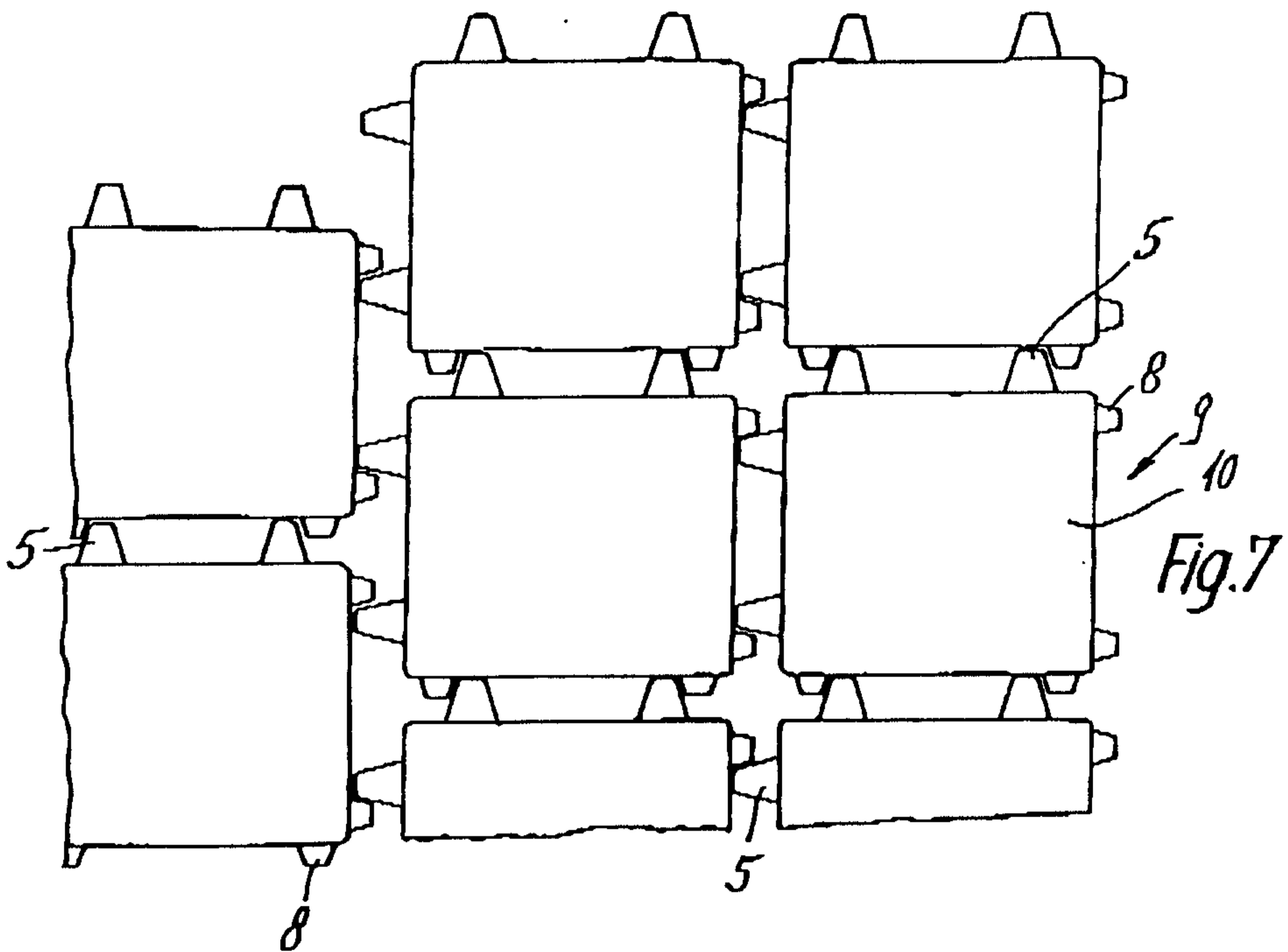
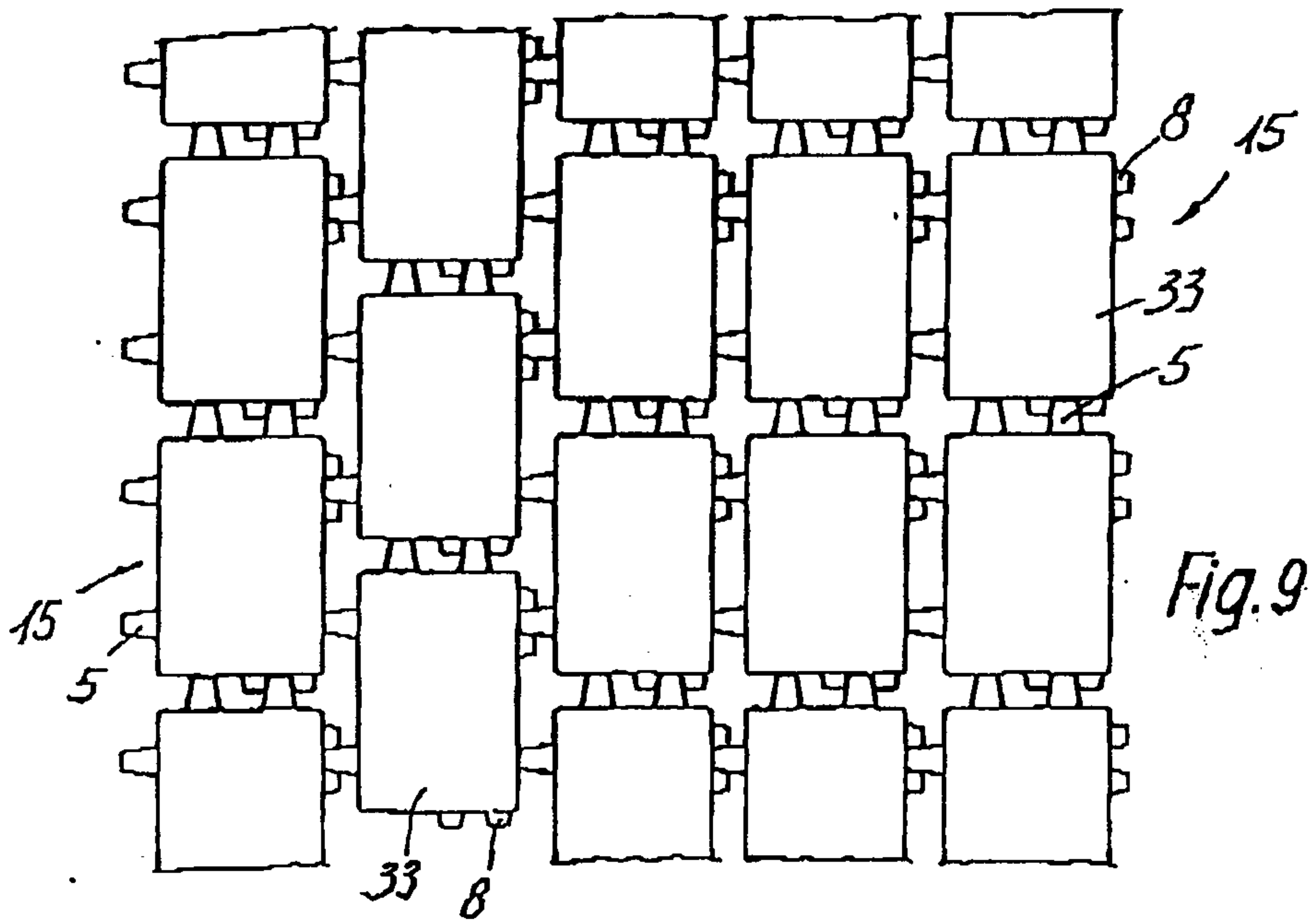
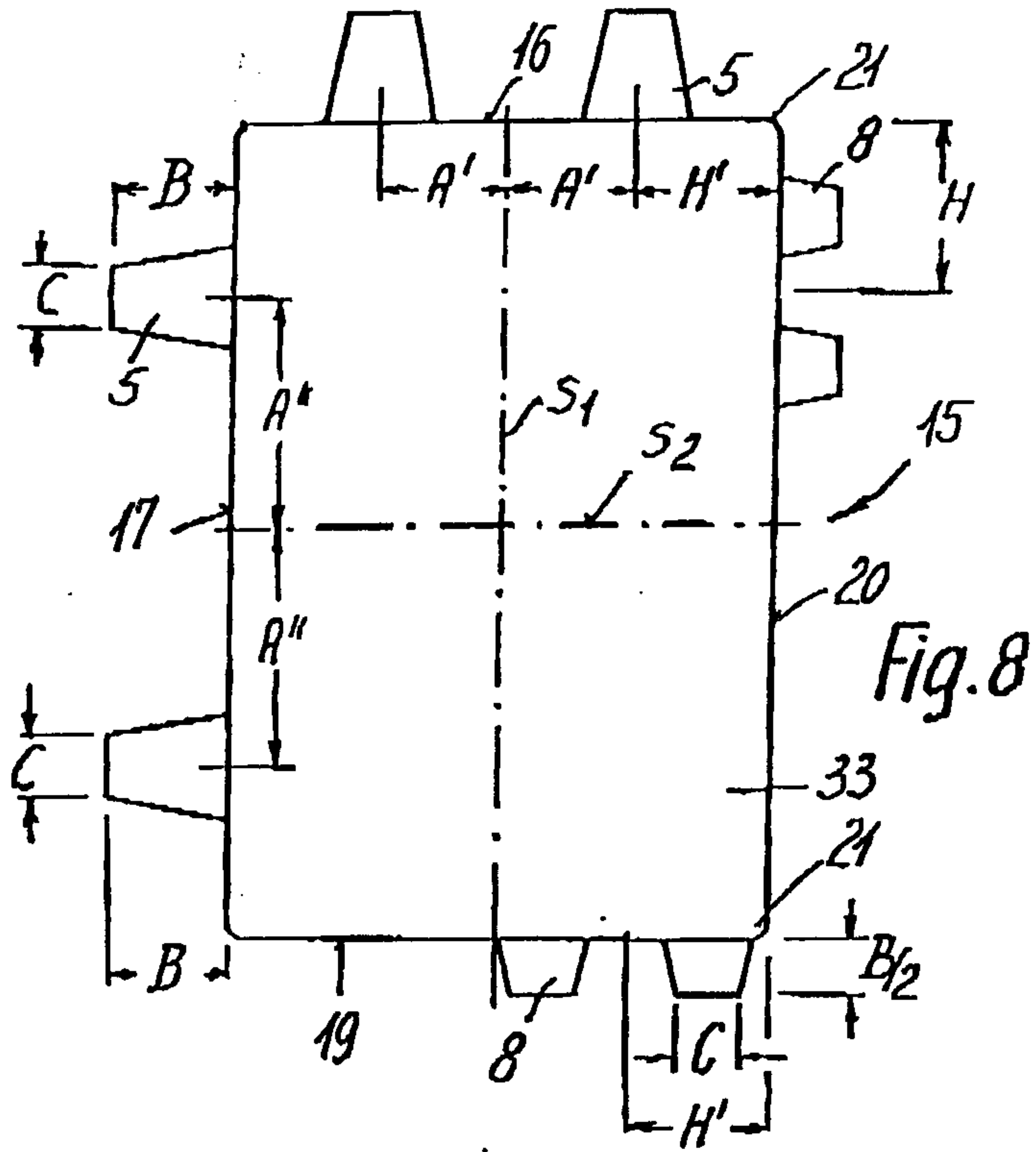


Fig.2





5/7



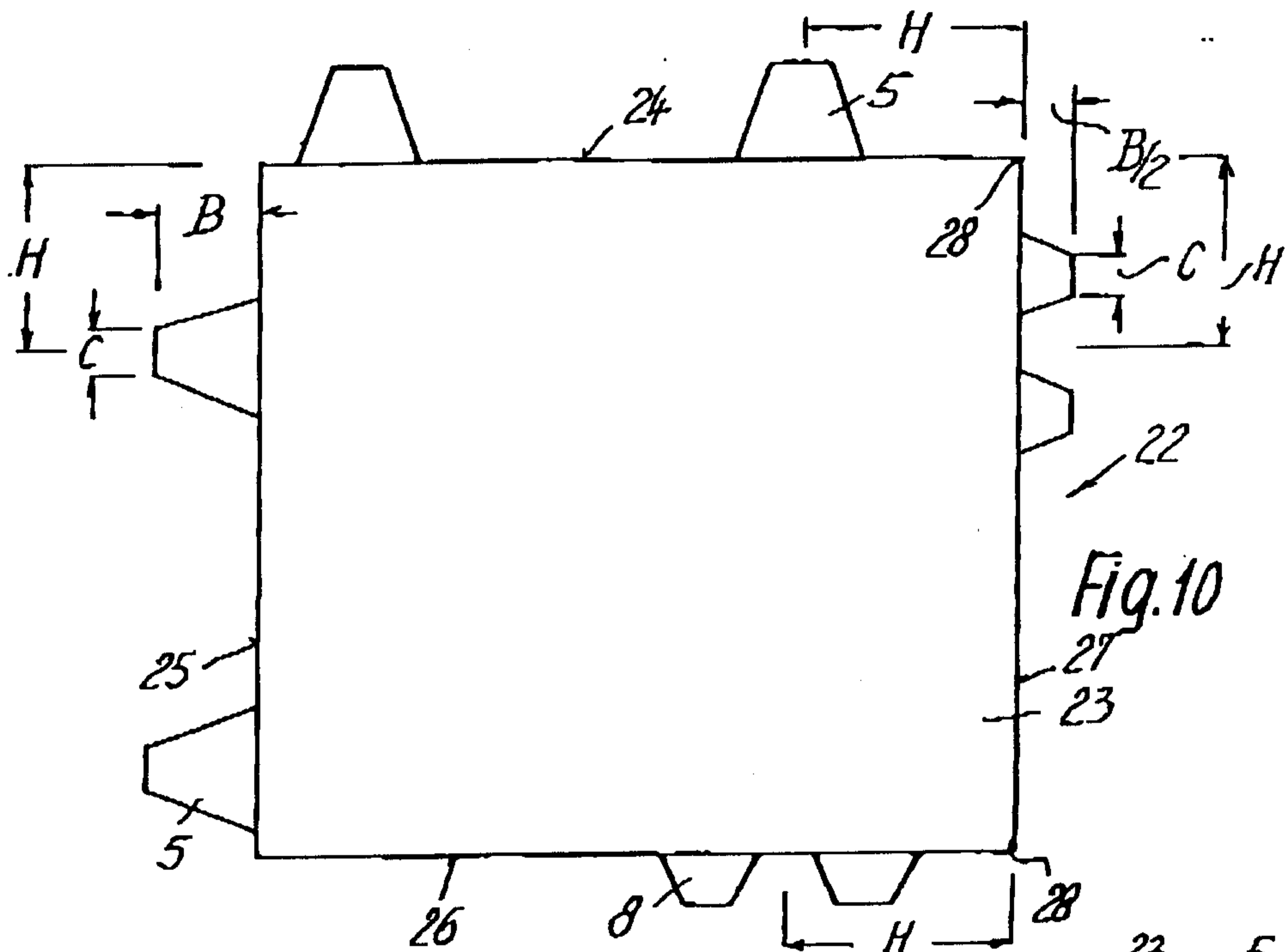


Fig. 10

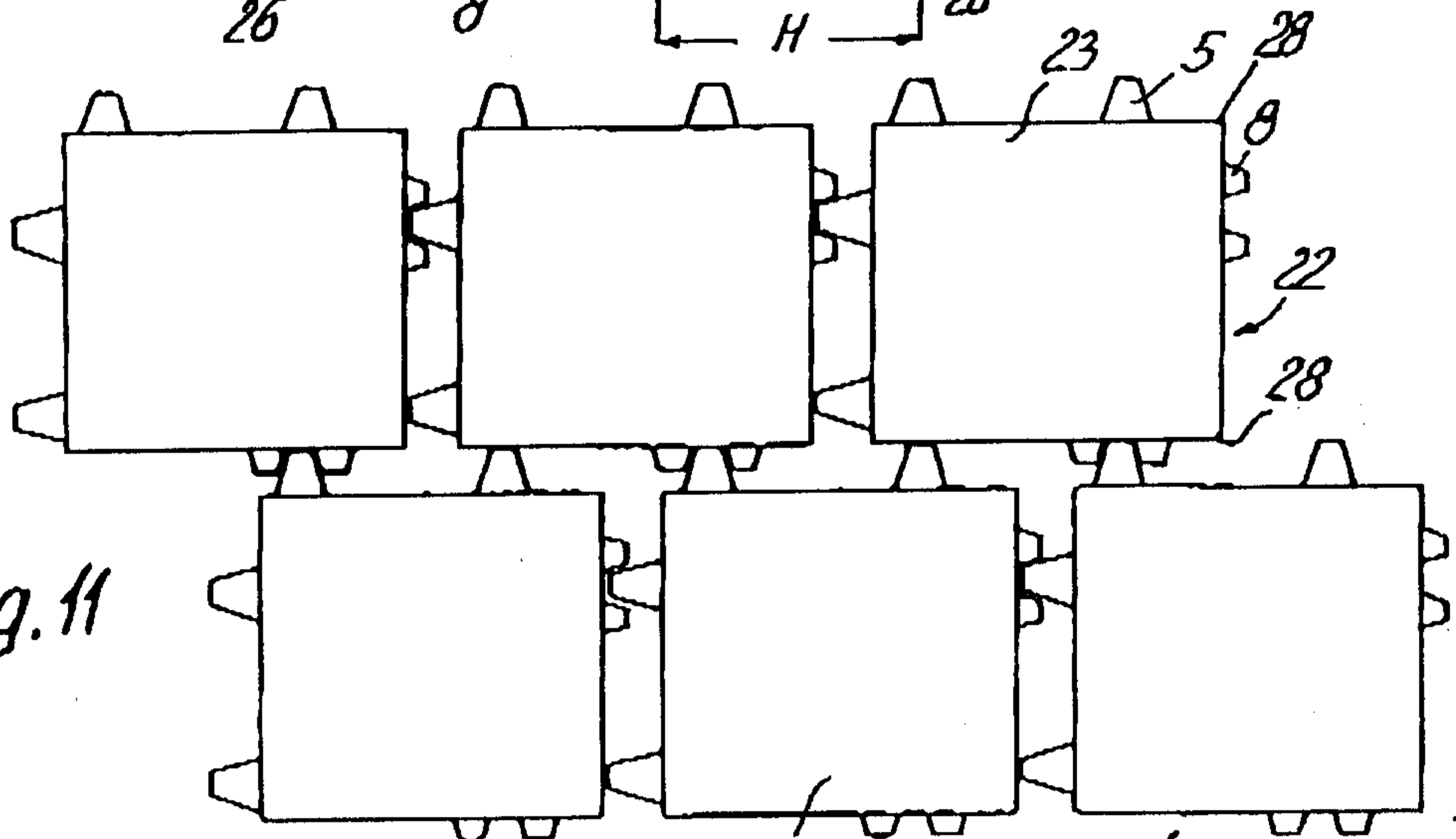


Fig. 11

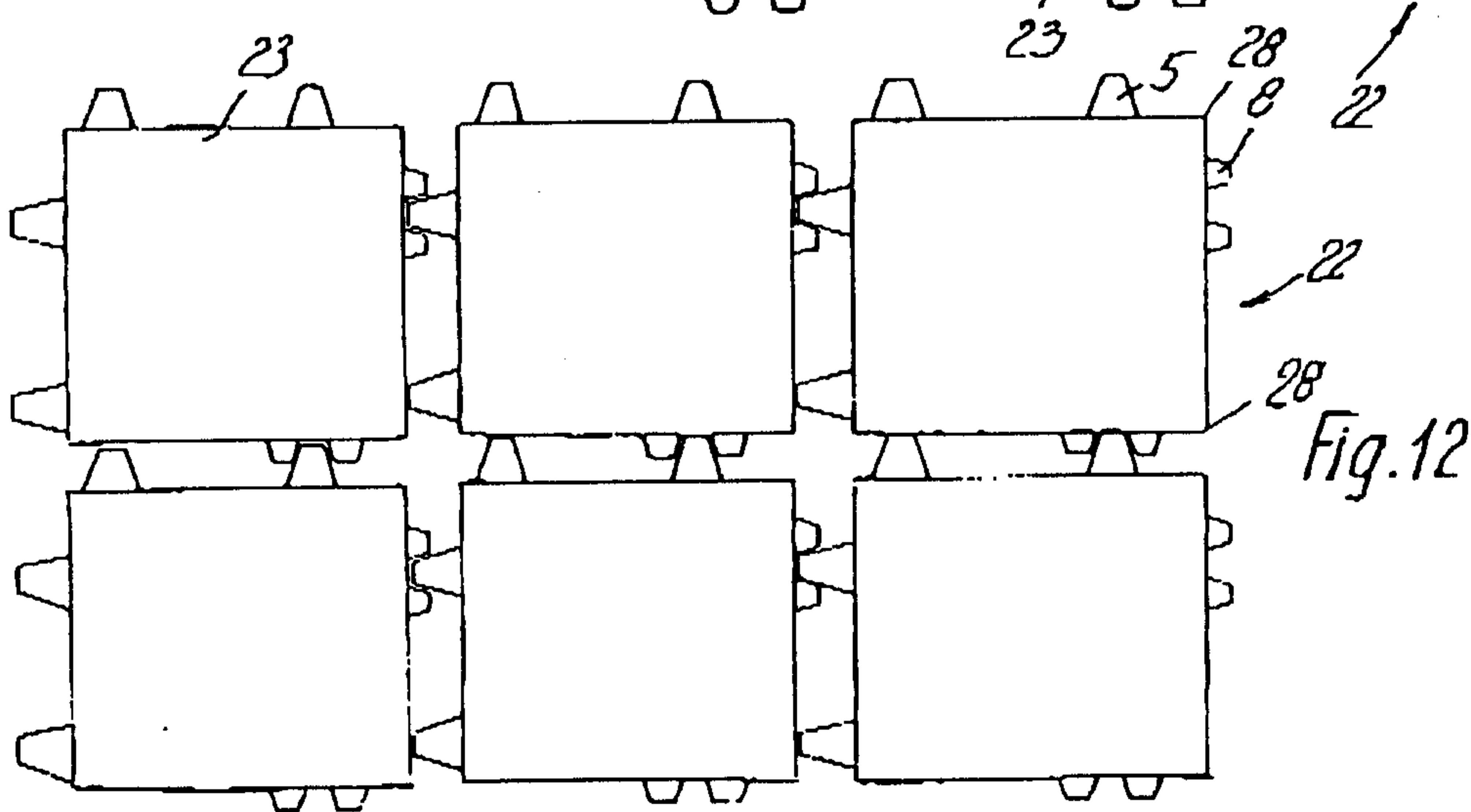


Fig. 12

