



US00D511679S

(12) **United States Design Patent**
Malin

(10) **Patent No.:** **US D511,679 S**

(45) **Date of Patent:** **** Nov. 22, 2005**

(54) **SCREW CLIP**

(75) **Inventor:** **Glen K. Malin**, New York, NY (US)

(73) **Assignee:** **Allied Bolt, Inc.**, Hollis, NY (US)

(**) **Term:** **14 Years**

(21) **Appl. No.:** **29/189,701**

(22) **Filed:** **Sep. 9, 2003**

Related U.S. Application Data

(63) Continuation-in-part of application No. 29/144,907, filed on Jul. 12, 2001, now Pat. No. Des. 486,728.

(51) **LOC (8) Cl.** **08-08**

(52) **U.S. Cl.** **D8/396**

(58) **Field of Search** D8/354, 371, 394-396,
D8/399; 248/71, 74.1, 214, 300, 222.14,
229.26

(56) **References Cited**

U.S. PATENT DOCUMENTS

| | | | |
|-------------|-----------|------------------|--------------|
| 1,578,634 A | 3/1926 | Borgmann | |
| 1,968,596 A | 7/1934 | Benander | |
| 2,545,347 A | 3/1951 | Embree | |
| 3,378,806 A | 4/1968 | Wilkerson et al. | |
| D239,911 S | * 5/1976 | Schmidt | D8/396 |
| 4,042,198 A | 8/1977 | Takeuchi | |
| 4,667,910 A | 5/1987 | Atterby et al. | |
| 4,823,752 A | 4/1989 | Uuskallio | |
| D302,655 S | 8/1989 | Sachs | |
| D331,358 S | * 12/1992 | Sachs | D8/356 |
| D342,013 S | 12/1993 | Sachs | |
| 5,521,460 A | 5/1996 | Zhu | |

| | | | |
|-------------|-----------|-------------|--------------|
| 5,759,049 A | 6/1998 | Gerber | |
| D398,218 S | 9/1998 | Coll et al. | |
| D400,090 S | 10/1998 | Coll | |
| D474,679 S | * 5/2003 | Malin | D8/394 |
| D481,303 S | * 10/2003 | Fell et al. | D8/395 |

OTHER PUBLICATIONS

Telewire Supply Catalog (p. E19) Entitled "Screw & Snaps Clips".

* cited by examiner

Primary Examiner—Louis S. Zarfes

Assistant Examiner—John Windmuller

(74) *Attorney, Agent, or Firm*—Baker Botts LLP

(57) **CLAIM**

The ornamental design for a screw clip, as shown and described.

DESCRIPTION

FIG. 1 is a perspective view of a screw clip showing my new design;

FIG. 2 is a front elevational view of the screw clip of FIG. 1;

FIG. 3 is a left-side elevational view of the screw clip of FIG. 1;

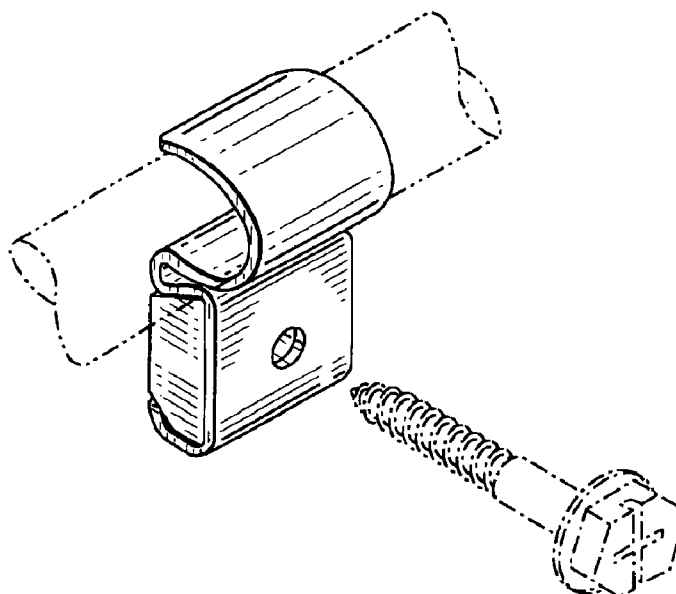
FIG. 4 is a rear elevational view of the screw clip of FIG. 1;

FIG. 5 is a top plan view of the screw clip of FIG. 1; and,

FIG. 6 is a bottom plan view of the screw clip of FIG. 1.

The broken lines are provided for illustrative purposes only and form no part of the claimed design. In addition, the portions of the screw clip that are not shown in the drawing do not form any part of the claimed design.

1 Claim, 1 Drawing Sheet



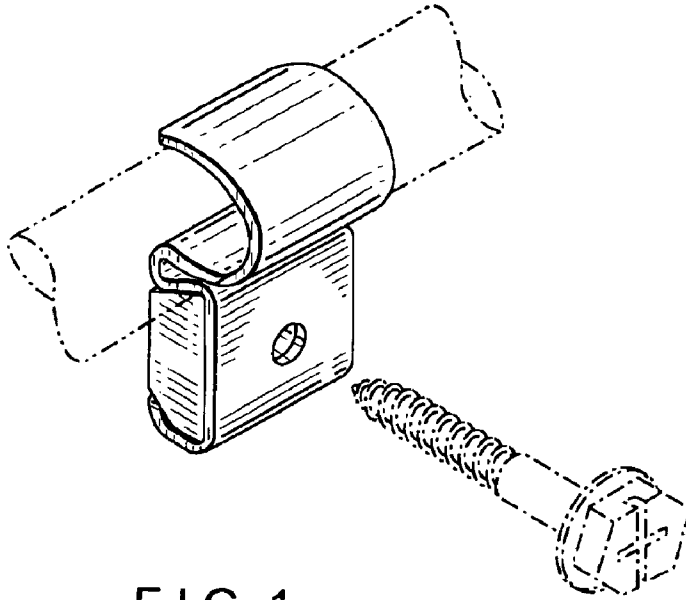


FIG. 1

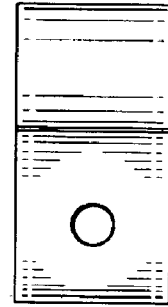


FIG. 2



FIG. 3

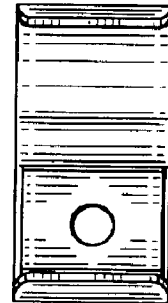


FIG. 4



FIG. 5



FIG. 6