



US00D769734S

(12) **United States Design Patent**  
**Church et al.**

(10) **Patent No.:** **US D769,734 S**

(45) **Date of Patent:** **\*\* Oct. 25, 2016**

- (54) **PACKAGING ASSEMBLY**
- (71) Applicant: **PolyOne Designed Structures and Solutions LLC**, Avon Lake, OH (US)
- (72) Inventors: **John Roy Church**, Neshkoro, WI (US);  
**Christopher Patrick Bray**, Lake St. Louis, MO (US); **Joy Marie Christensen**, St. Louis, MO (US)
- (73) Assignee: **PolyOne Designed Structures and Solutions LLC**, Avon Lake, OH (US)
- (\*\*) Term: **14 Years**
- (21) Appl. No.: **29/507,855**
- (22) Filed: **Oct. 31, 2014**
- (51) **LOC (10) Cl.** ..... **09-03**
- (52) **U.S. Cl.**  
USPC ..... **D9/761; D9/756**
- (58) **Field of Classification Search**  
USPC ..... D9/737, 738, 741, 743, 747, 749, 756, D9/759, 761, 337, 414, 424, 425, 426, 430, D9/432, 416, 428, 429, 431; D7/550, D7/550.1, 553, 553.1, 554.1, 555, 557, D7/601, 602, 541, 513; D3/201, D3/203.1-203.1, 304, 310, 313, 318, 319; D24/118, 207, 227; 215/325; 222/92, 222/95, 102, 145.1, 183, 215; 206/532, 206/528, 534.1, 538, 519, 526, 541, 561, 206/564; 220/23.8, 359.2, 359.1, 500, 555, 220/657, 659, 904, 23.6; 426/115, 119, 426/128; 434/259; 273/293; 229/125.35, 229/406, 246, 123.1, 5.5, 200-203, 404, 229/120.1; D30/130; D6/530; D32/53.1  
CPC .... B65D 1/30; B65D 21/02; B65D 21/0202; B65D 21/0231; B65D 2543/00296; B65D 2577/2083; B65D 43/162; B65D 5/009; B65D 75/327; B65D 75/527; B65D 75/5888; B65D 81/361; G09B 1/36  
See application file for complete search history.

3,567,013	A *	3/1971	Tannebaum .....	B65D 75/225	206/538
3,673,987	A *	7/1972	Fletcher .....	B65D 1/30	119/490
3,845,574	A *	11/1974	Majewski .....	G09B 1/36	273/293
D241,622	S *	9/1976	Smith .....	D9/760	
4,067,475	A *	1/1978	Pinkau .....	B65D 81/361	206/504
D261,465	S *	10/1981	Minchew .....	D30/130	
D273,765	S *	5/1984	Cillario .....	D9/425	
D316,971	S *	5/1991	Kearnes .....	D9/424	
5,310,071	A *	5/1994	Rivlin .....	B65D 81/361	206/509
5,409,127	A *	4/1995	Stratford .....	B65D 1/30	220/23.4

(Continued)

**OTHER PUBLICATIONS**

New Package Design by PolyOne, available Mar. 7, 2016, [online], [site visited Mar. 7, 2016]. Available from internet, <URL: <http://www.polyone.com/idea/new-packaging-design-delivers-space-savings-and-efficiency>>.\*

(Continued)

*Primary Examiner* — Cathron Brooks  
*Assistant Examiner* — Teddy Falloway  
(74) *Attorney, Agent, or Firm* — Michael J. Sambrook

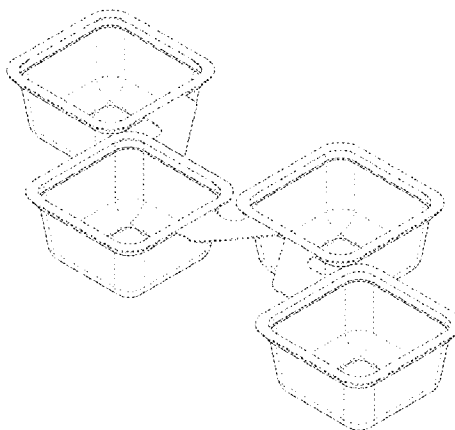
(57) **CLAIM**  
The ornamental design for a packaging assembly, as shown and described.

**DESCRIPTION**

FIG. 1 is a perspective view of a packaging assembly showing our new design.  
FIG. 2 is a front view thereof;  
FIG. 3 is a side view thereof;  
FIG. 4 is a top view thereof; and,  
FIG. 5 is bottom view thereof.  
The broken lines in the drawings show portions of the packaging assembly that form no part of the claimed design.

**1 Claim, 5 Drawing Sheets**

- (56) **References Cited**  
U.S. PATENT DOCUMENTS  
3,511,433 A \* 5/1970 Andrews ..... B65D 43/162  
220/4.23





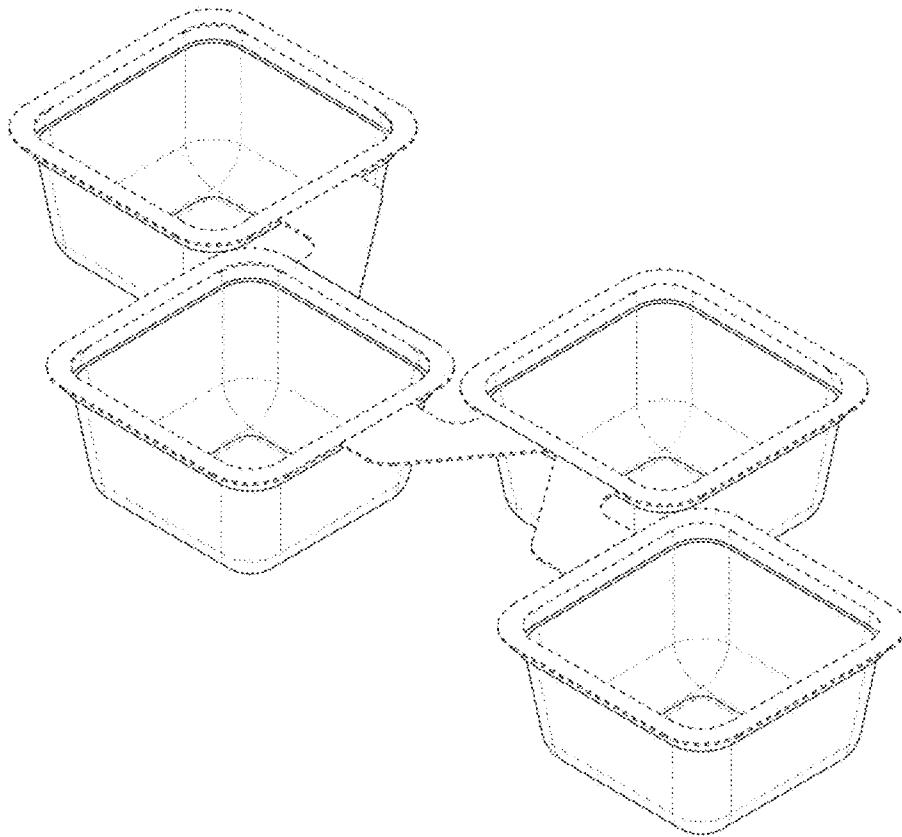


Fig. 1

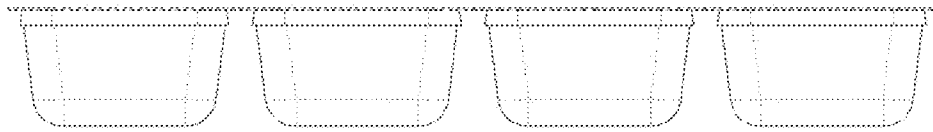


Fig. 2

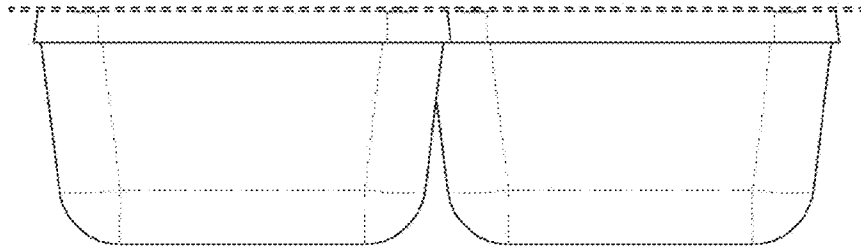


Fig. 3

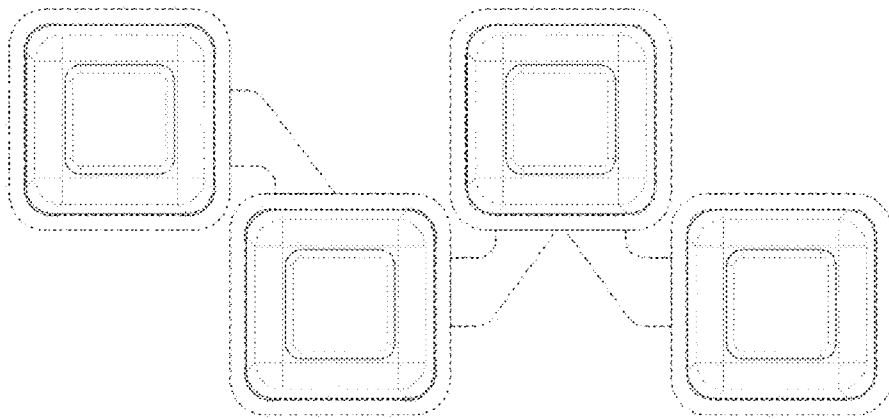


Fig. 4

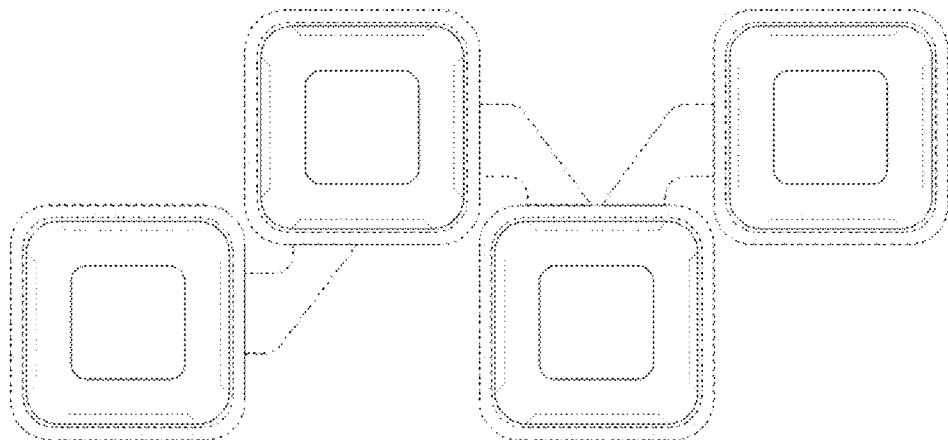


Fig. 5