

(19) World Intellectual Property Organization
International Bureau



(43) International Publication Date
13 December 2007 (13.12.2007)

PCT

(10) International Publication Number
WO 2007/142946 A3

(51) International Patent Classification:
F21V 9/00 (2006.01)

(74) Agents: **BROWN, Kevin, C.** et al.; Burr & Brown, P.O. Box 7068, Syracuse, NY 13261 (US).

(21) International Application Number:
PCT/US2007/012706

(81) Designated States (unless otherwise indicated, for every kind of national protection available): AE, AG, AL, AM, AT, AU, AZ, BA, BB, BG, BH, BR, BW, BY, BZ, CA, CH, CN, CO, CR, CU, CZ, DE, DK, DM, DO, DZ, EC, EE, EG, ES, FI, GB, GD, GE, GH, GM, GT, HN, HR, HU, ID, IL, IN, IS, JP, KE, KG, KM, KN, KP, KR, KZ, LA, LC, LK, LR, LS, LT, LU, LY, MA, MD, ME, MG, MK, MN, MW, MX, MY, MZ, NA, NG, NI, NO, NZ, OM, PG, PH, PL, PT, RO, RS, RU, SC, SD, SE, SG, SK, SL, SM, SV, SY, TJ, TM, TN, TR, TT, TZ, UA, UG, US, UZ, VC, VN, ZA, ZM, ZW.

(22) International Filing Date: 30 May 2007 (30.05.2007)

(25) Filing Language: English

(26) Publication Language: English

(30) Priority Data:
60/809,618 31 May 2006 (31.05.2006) US

(71) Applicant (for all designated States except US): **CREE LED LIGHTING SOLUTIONS, INC.** [US/US]; 4600 Silicon Drive, Durham, NC 27703 (US).

(84) Designated States (unless otherwise indicated, for every kind of regional protection available): ARIPO (BW, GH, GM, KE, LS, MW, MZ, NA, SD, SL, SZ, TZ, UG, ZM, ZW), Eurasian (AM, AZ, BY, KG, KZ, MD, RU, TJ, TM), European (AT, BE, BG, CH, CY, CZ, DE, DK, EE, ES, FI, FR, GB, GR, HU, IE, IS, IT, LT, LU, LV, MC, MT, NL, PL, PT, RO, SE, SI, SK, TR), OAPI (BF, BJ, CF, CG, CI, CM, GA, GN, GQ, GW, ML, MR, NE, SN, TD, TG).

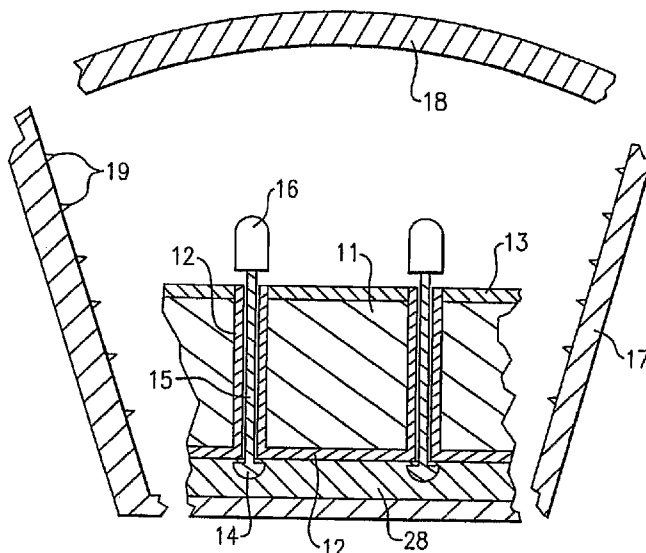
(72) Inventors; and

(75) Inventors/Applicants (for US only): **NEGLEY, Gerald, H.** [US/US]; 811 Clearview Lane, Durham, NC 27713 (US). **VAN DE VEN, Antony, Paul** [AU/CN]; 11F Hing Keng Shek, Sai Kung, NT, Hong Kong Sar (CN). **COLEMAN, Thomas, G.** [US/US]; 315 Lochwood Drive, Pittsboro, NC 27312 (US).

Published:
— with international search report

[Continued on next page]

(54) Title: LIGHTING DEVICE AND METHOD OF LIGHTING



(57) Abstract: There is provided a lighting device which emits light with an efficacy of at least 60 lumens per watt. The lighting device comprises at least one solid state light emitter (16), e.g. one or more light emitting diodes, and optionally further includes one or more lumiphor (35). In some embodiments, the output light is of a brightness of at least 300 lumens. In some embodiments, the output light has a CRI Ra of at least 90. Also, a method of lighting, comprising supplying electricity to a lighting device which emits light with an efficacy of at least 60 lumens per watt.

WO 2007/142946 A3



— *before the expiration of the time limit for amending the claims and to be republished in the event of receipt of amendments*

(88) Date of publication of the international search report:
4 September 2008

INTERNATIONAL SEARCH REPORT

International application No.

PCT/US07/12706

A. CLASSIFICATION OF SUBJECT MATTER
 IPC: **F21V 9/00(2006.01)**

USPC: **362/231**
 According to International Patent Classification (IPC) or to both national classification and IPC

B. FIELDS SEARCHED

Minimum documentation searched (classification system followed by classification symbols)
 U.S. : 362/231,230,545,555,800; 315/291; 313/503,467,468

Documentation searched other than minimum documentation to the extent that such documents are included in the fields searched

Electronic data base consulted during the international search (name of data base and, where practicable, search terms used)

C. DOCUMENTS CONSIDERED TO BE RELEVANT

Category *	Citation of document, with indication, where appropriate, of the relevant passages	Relevant to claim No.
X --- Y	US 6,522,065 (SRIVASTAVA ET AL.) 18 Feb. 2003 (18.02.2003), figures 1-8.	1-2, 4, 6-11, 20-29, 31, 33-38, 47-50 ----- 12-19, 39-46
X	US 6,429,583 (LEVINSON ET AL.) 6 Aug. 2002 (06.08.2002), figures 1-7.	1, 3, 5, 28, 30, 32
Y	US 2004/0105264 (SPERO) 3 Jun. 2004 (03.06.2004), figures 1-17.	12-19, 39-46
A	US 6,252,254 (SOULES ET AL.) 26 Jun. 2001 (26.06.2001), figures 1-4.	1-50
A	US 7,213,940 (VAN DE VEN ET AL.) 8 May 2007 (08.05.2007), figures 1-9.	1-50

Further documents are listed in the continuation of Box C. See patent family annex.

* Special categories of cited documents:	
"A" document defining the general state of the art which is not considered to be of particular relevance	"T" later document published after the international filing date or priority date and not in conflict with the application but cited to understand the principle or theory underlying the invention
"E" earlier application or patent published on or after the international filing date	"X" document of particular relevance; the claimed invention cannot be considered novel or cannot be considered to involve an inventive step when the document is taken alone
"L" document which may throw doubts on priority claim(s) or which is cited to establish the publication date of another citation or other special reason (as specified)	"Y" document of particular relevance; the claimed invention cannot be considered to involve an inventive step when the document is combined with one or more other such documents, such combination being obvious to a person skilled in the art
"O" document referring to an oral disclosure, use, exhibition or other means	"&" document member of the same patent family
"P" document published prior to the international filing date but later than the priority date claimed	

Date of the actual completion of the international search 12 June 2008 (12.06.2008)	Date of mailing of the international search report 03 JUL 2008
Name and mailing address of the ISA/US Mail Stop PCT, Attn: ISA/US Commissioner for Patents P.O. Box 1450 Alexandria, Virginia 22313-1450 Facsimile No. (571) 273-3201	Authorized officer Sandra L. O'Shea <i>Sandra L. O'Shea</i> Telephone No. (571) 272-2800