



US0D1028524S

(12) **United States Design Patent**
Liang

(10) **Patent No.:** **US D1,028,524 S**

(45) **Date of Patent:** **** May 28, 2024**

(54) **POWER SCRUBBER**

FOREIGN PATENT DOCUMENTS

(71) Applicant: **Zhongshan Jinshun Household Products Co., Ltd.**, Zhongshan (CN)

CN 307604095 * 10/2022
CN 308253726 * 10/2023
EM 008913230-0001 * 4/2022

(72) Inventor: **Minshi Liang**, Zhongshan (CN)

OTHER PUBLICATIONS

(73) Assignee: **Zhongshan Jinshun Household Products Co., Ltd.**, Zhongshan (CN)

Hicozy Electric Spin Scrubber [on-line]. [Original publication date not stated.] [Internet retrieval date: Mar. 16, 2024.] URL: <https://www.walmart.com/ip/Electric-Spin-Scrubber-HiCOZY-Cordless-Shower-Cleaning-Scrub-Brush-Portable-Handheld-Power-Electric-Cleaner/5103645643> (Year: 2024).*

(**) Term: **15 Years**

(Continued)

(21) Appl. No.: **29/831,784**

(22) Filed: **Mar. 23, 2022**

Primary Examiner — Karen E Eldridge Powers

(51) **LOC (14) Cl.** **04-01**

(57) **CLAIM**

(52) **U.S. Cl.**

The ornamental design for a power scrubber, as shown and described.

USPC **D4/102; D32/35**

(58) **Field of Classification Search**

DESCRIPTION

USPC D4/100, 102, 114, 116, 121, 127, 128,
D4/130, 132, 133, 134, 135, 136, 137,
D4/138, 199; D32/51, 19, 35; D8/61
CPC A46B 2200/30; A46B 2200/3033; A46B
5/005; A47L 11/14

See application file for complete search history.

FIG. 1 is a front, right and top perspective view of a power scrubber showing my new design;
FIG. 2 is a left, rear and bottom perspective view thereof;
FIG. 3 is a front view thereof;
FIG. 4 its a rear view thereof;
FIG. 5 is a left side view thereof;
FIG. 6 is a right side view thereof;
FIG. 7 is a top plan view thereof;
FIG. 8 is a bottom plan view thereof;
FIG. 9 is a perspective view thereof showing the power scrubber in an environment in which it may be used;
FIG. 10 is a perspective view thereof showing the power scrubber in another environment in which it, may be used; and,
FIG. 11 is a perspective view thereof showing the power scrubber in another environment in which it may be used.
The broken lines in the figures illustrate portions of the power scrubber and environment that form no part of the claimed design.

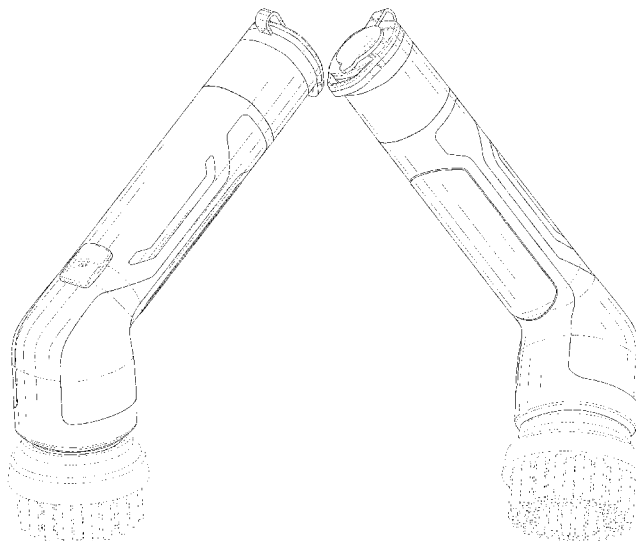
(56) **References Cited**

U.S. PATENT DOCUMENTS

3,981,106	A	*	9/1976	Gallo	B24D 15/02 451/490
D290,550	S	*	6/1987	Tsuji	D4/102
D332,736	S	*	1/1993	Mikiya	D8/68
D352,828	S	*	11/1994	Chen	D4/127
5,471,695	A	*	12/1995	Aiyar	A46B 13/02 601/72
D376,694	S	*	12/1996	Aiyar	D4/127
D409,335	S	*	5/1999	Slater	D4/102
D427,774	S	*	7/2000	Jackson	D4/127
D568,609	S	*	5/2008	Evans	D4/102
D616,204	S	*	5/2010	Zemel	D4/114

(Continued)

1 Claim, 11 Drawing Sheets



(56)

References Cited

U.S. PATENT DOCUMENTS

D648,997 S * 11/2011 Allan D8/61
8,069,520 B2 * 12/2011 Mattucci A47L 13/256
15/49.1
10,159,331 B2 * 12/2018 Akashi A46D 3/08
D845,733 S * 4/2019 Yajima D8/68
D845,734 S * 4/2019 Kamijo D8/68
D932,267 S * 10/2021 Johnson D8/61
D932,778 S * 10/2021 Jing D4/102
D972,307 S * 12/2022 Liang D4/102
2021/0120946 A1 * 4/2021 Greene A46B 11/063

OTHER PUBLICATIONS

July Home Handheld Electric Spin Scrubber [on-line]. [Date first available: Dec. 19, 2022.] [Internet retrieval date: Mar. 19, 2024.]
URL: <<https://www.walmart.com/ip/JULY-HOME-Handheld-Electric-Spin-Scrubber-Cordless-Automatic-Power-Scrubber-Shower-Cleaner-Tile-Grill-Dish-Sink-Shower-3-Brush-Heads-White/1506518575>>
(Year: 2022).*

* cited by examiner

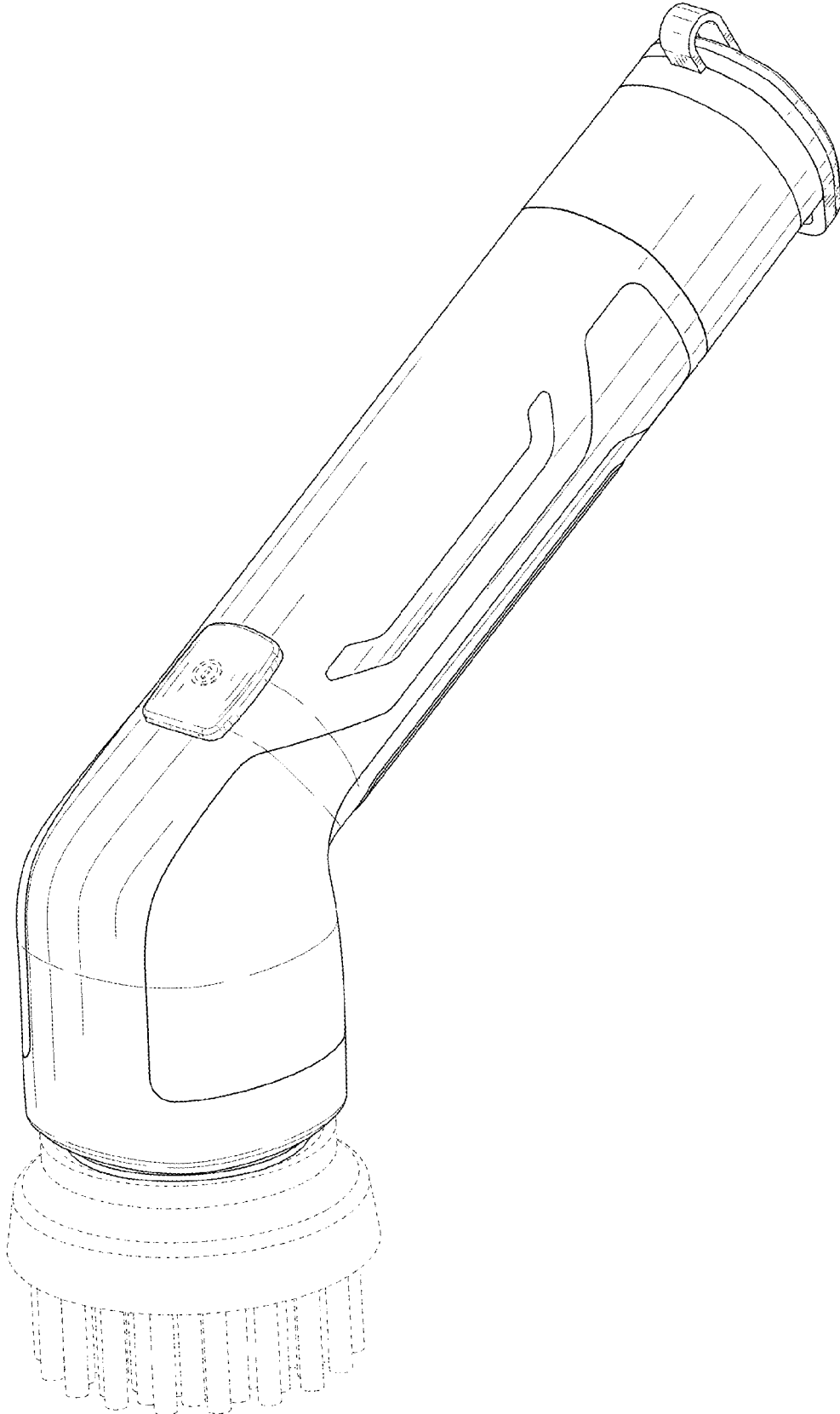


FIG. 1

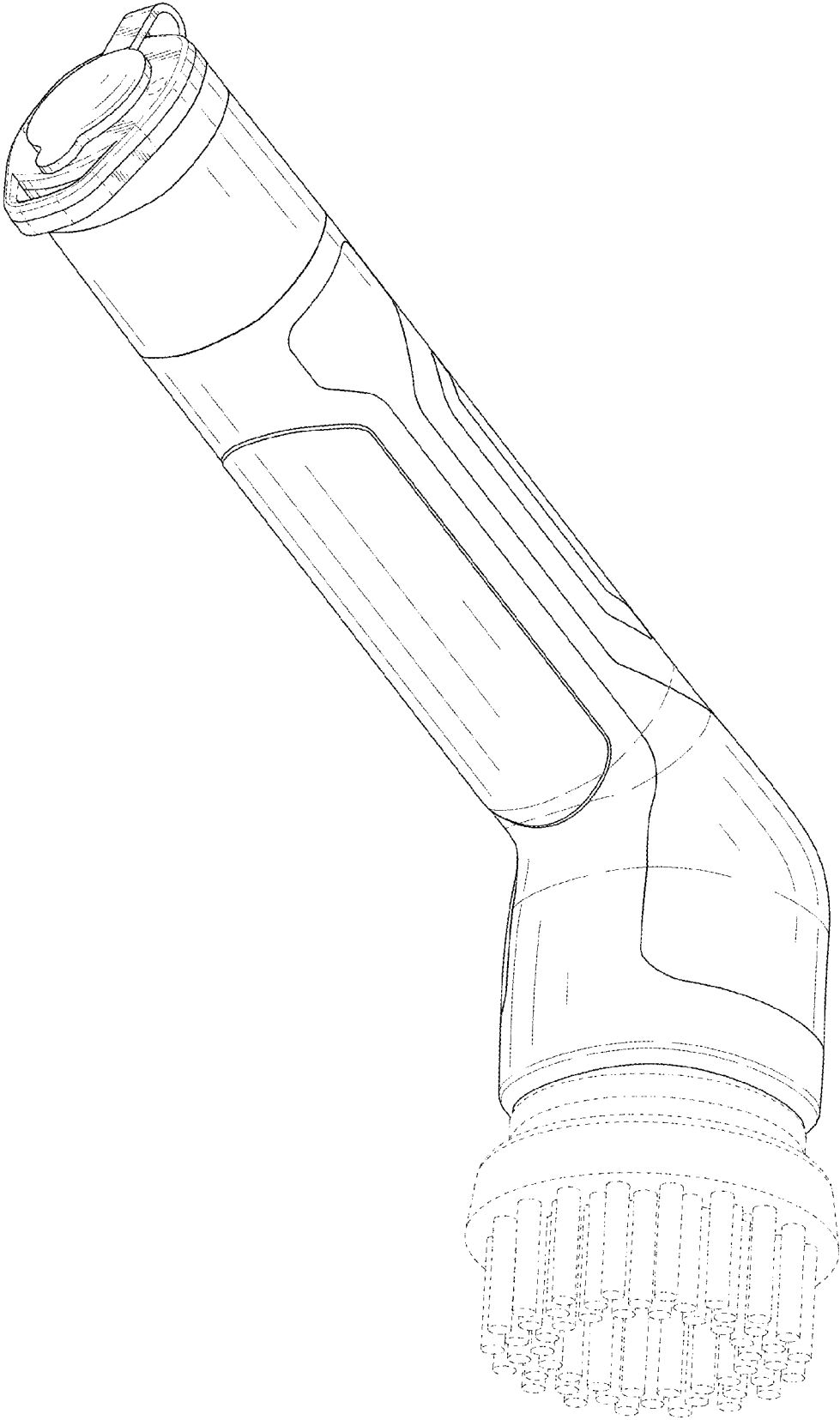


FIG. 2

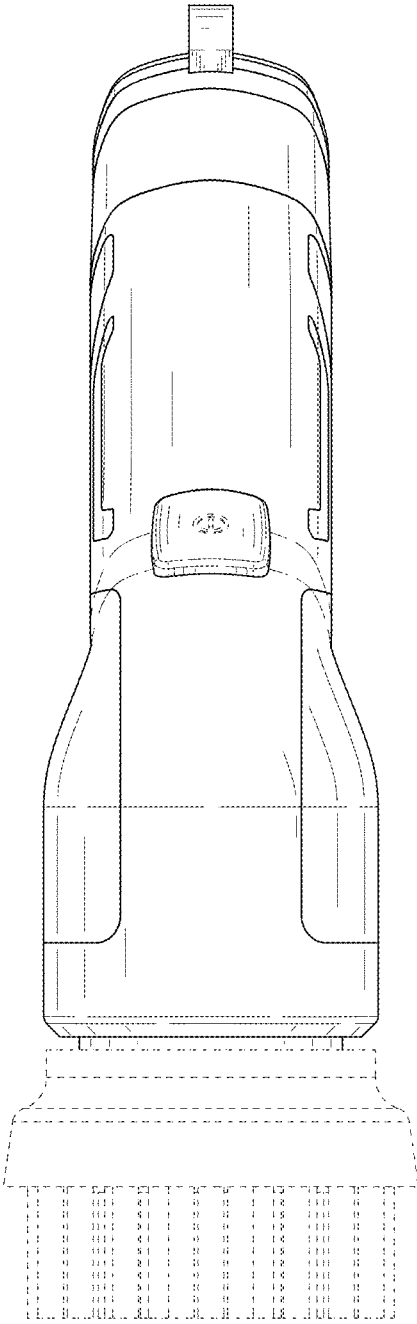


FIG. 3

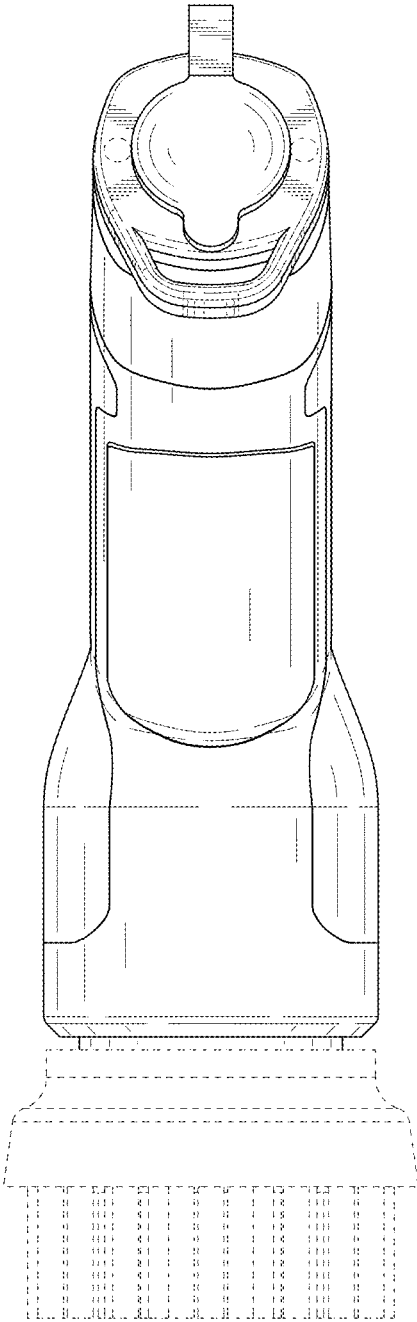


FIG. 4

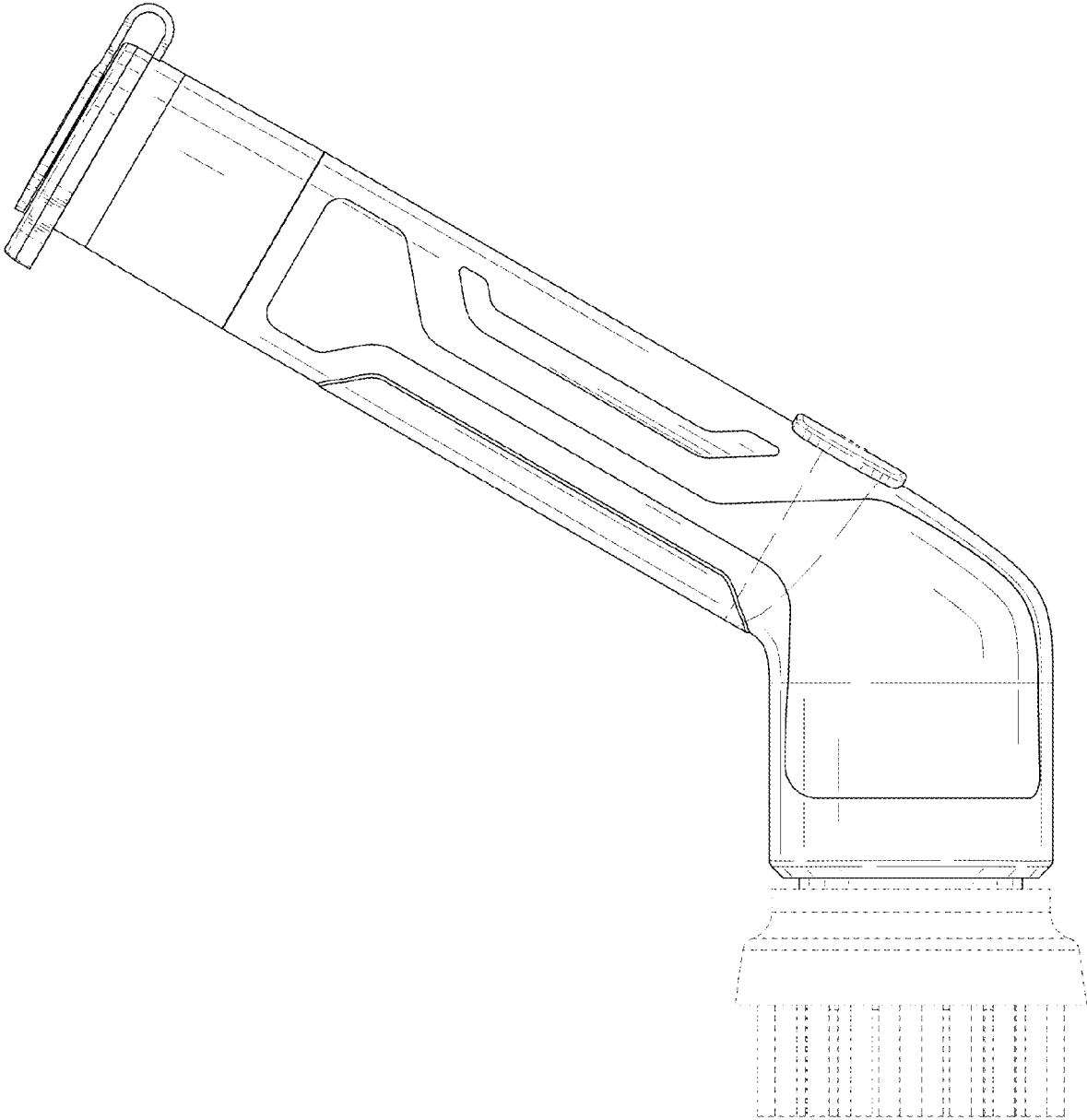


FIG. 5

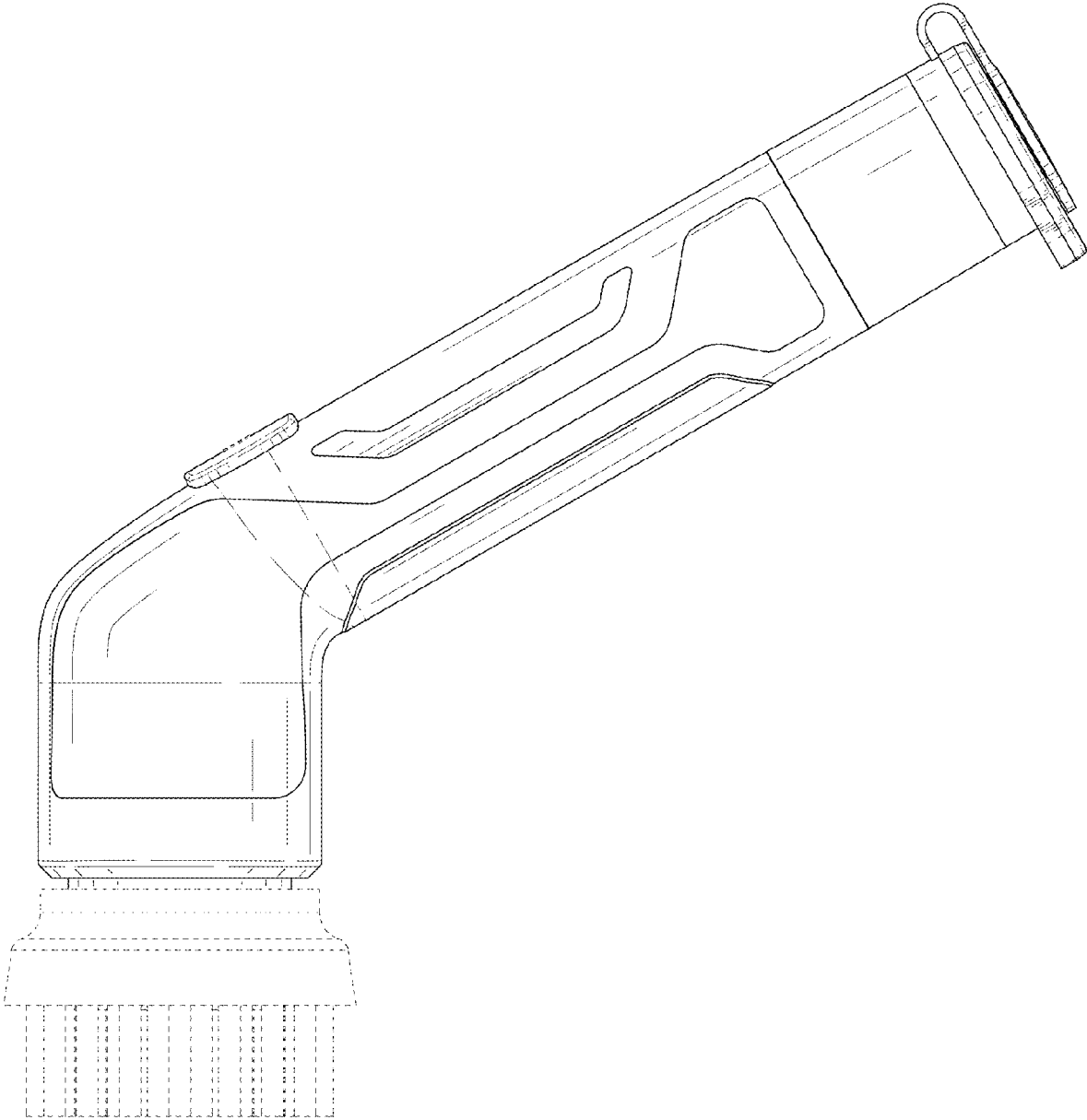


FIG. 6

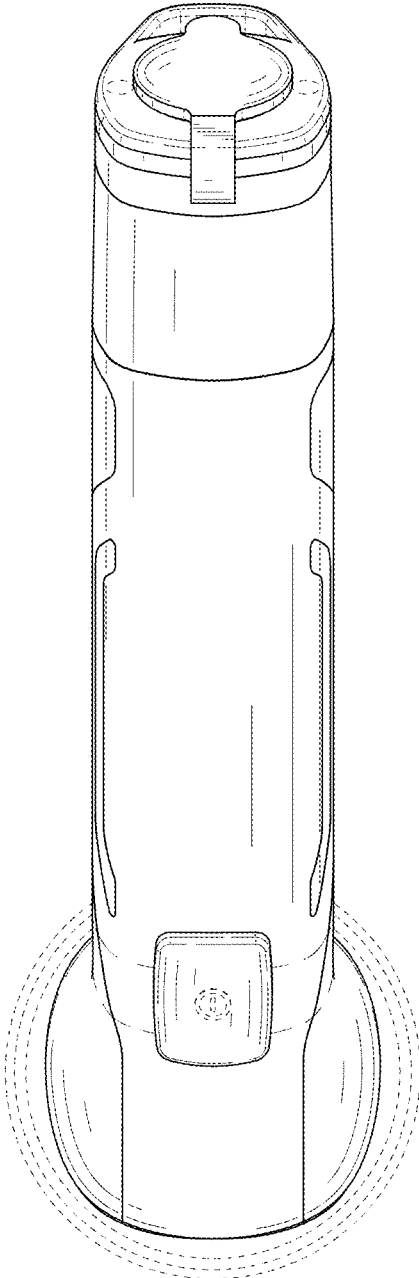


FIG. 7

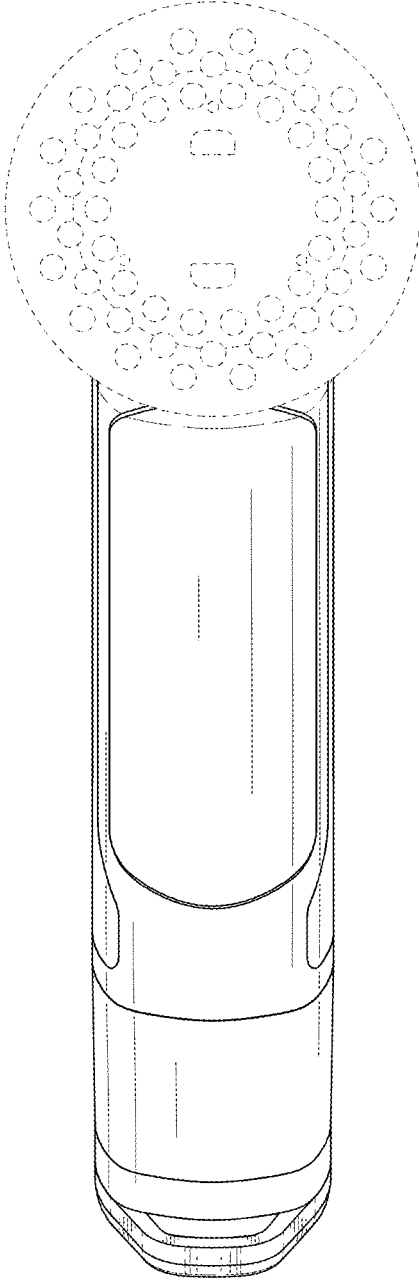


FIG. 8

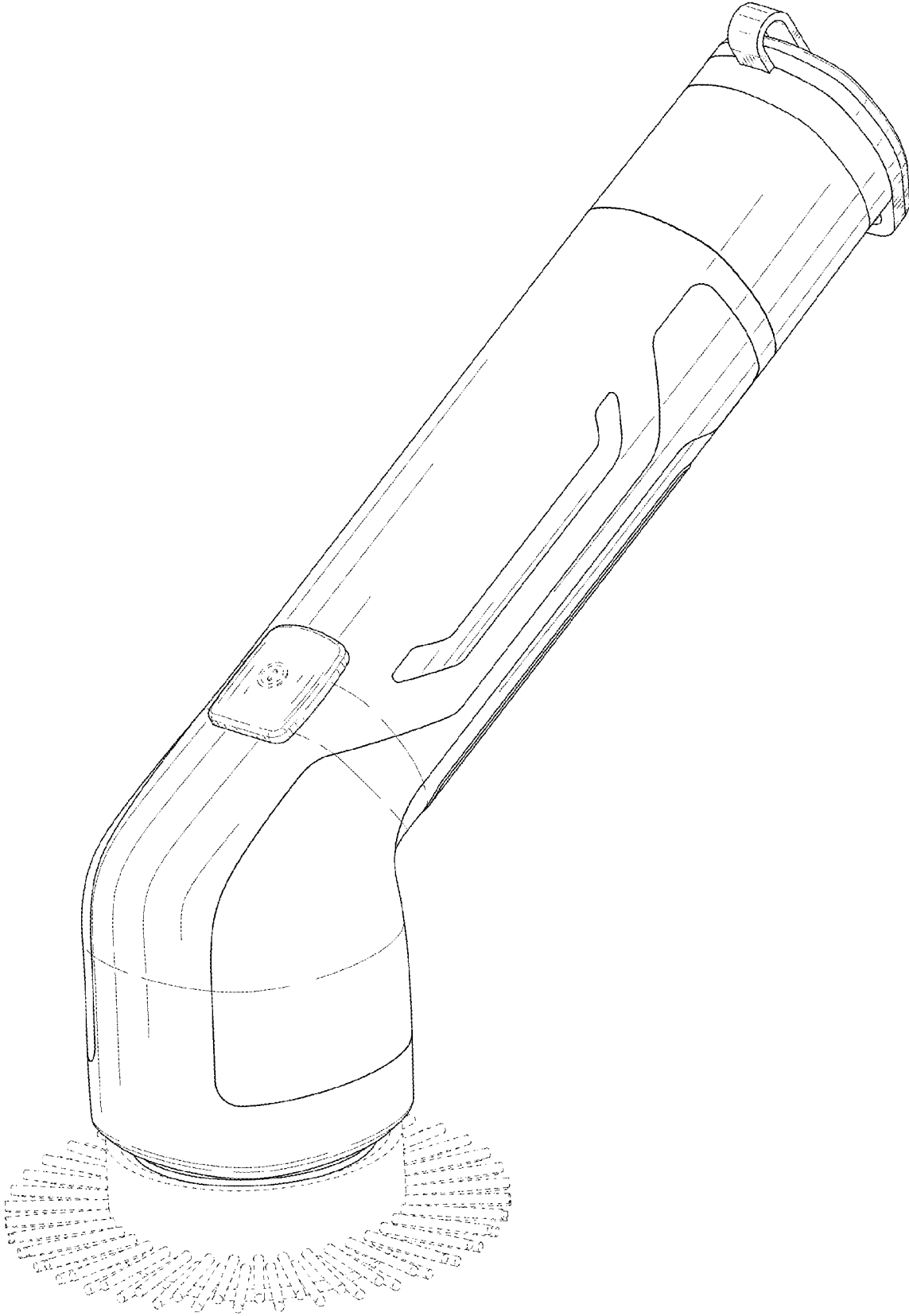


FIG. 9

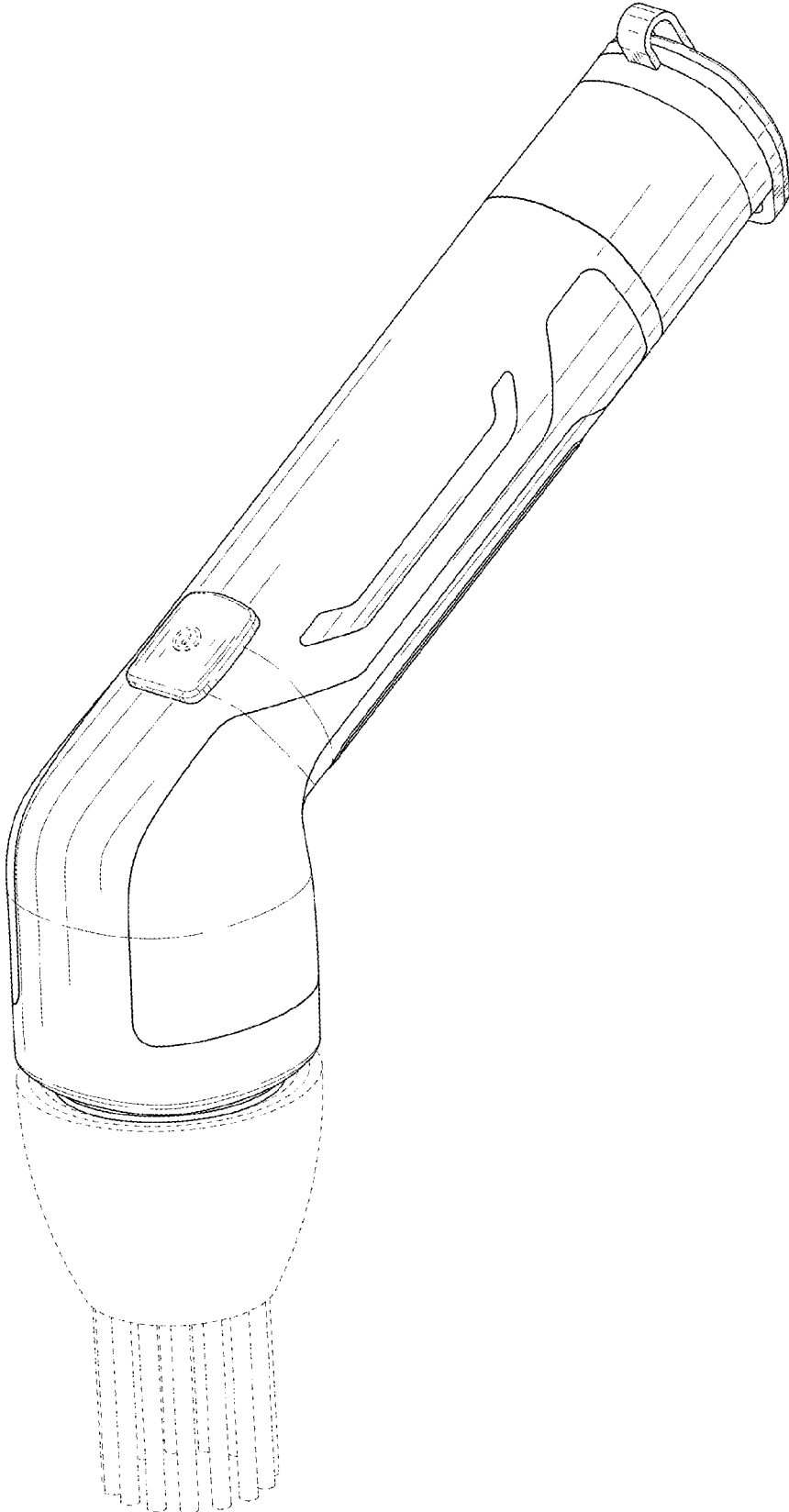


FIG. 10

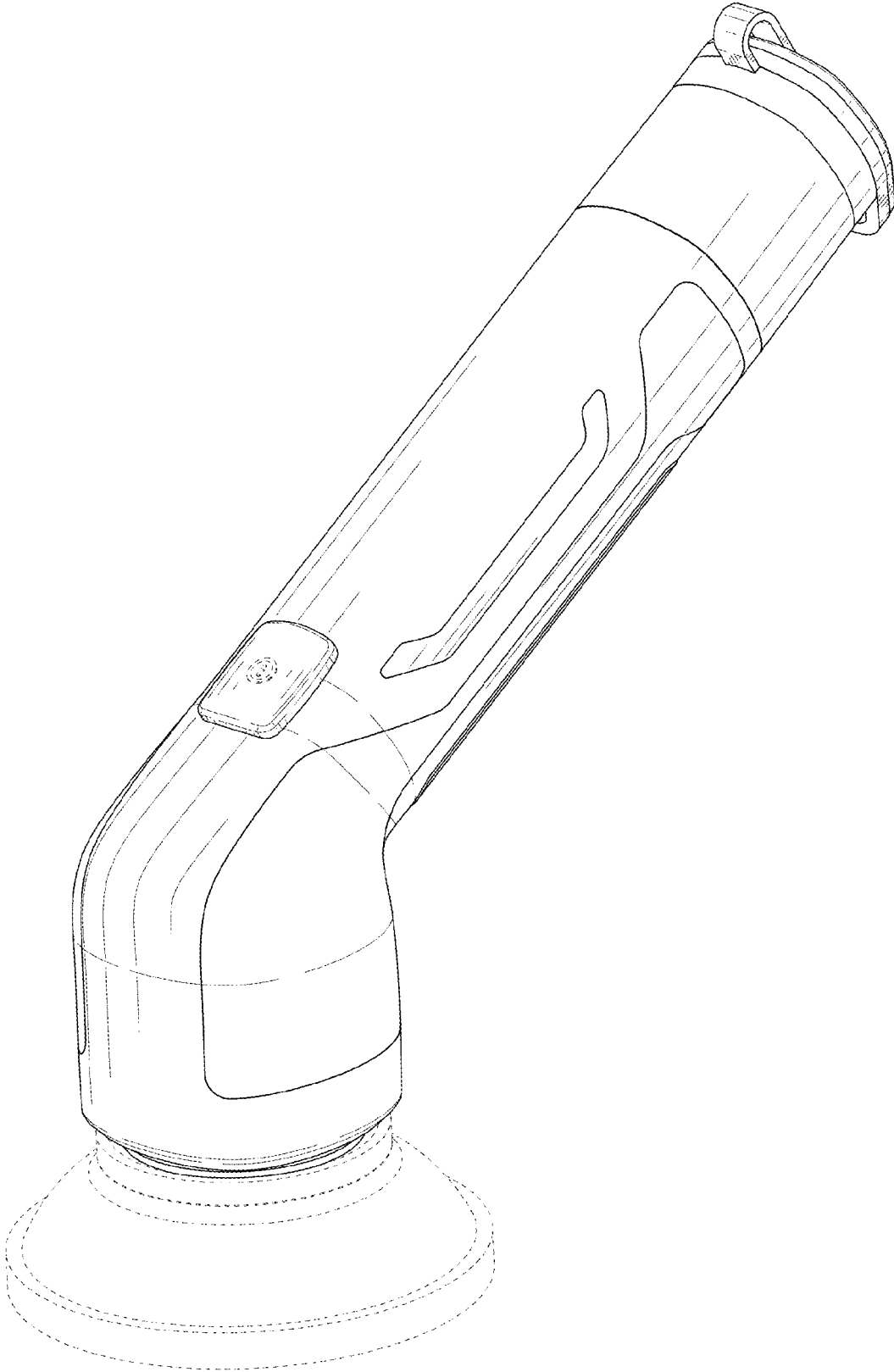


FIG. 11