



- (51) **International Patent Classification:**
A41B 13/06 (2006.01) A47D 13/02 (2006.01)
- (21) **International Application Number:**
PCT/US2012/033202
- (22) **International Filing Date:**
12 April 2012 (12.04.2012)
- (25) **Filing Language:** English
- (26) **Publication Language:** English
- (30) **Priority Data:**
61/475,720 15 April 2011 (15.04.2011) US
61/534,514 14 September 2011 (14.09.2011) US
- (71) **Applicant (for all designated States except US):** MATTEL INC. [US/US]; 333 Continental Boulevard, El Segundo, CA 90245-5012 (US).
- (72) **Inventors; and**
- (75) **Inventors/Applicants (for US only):** AIKEN, Brian, L. [US/US]; 835 Chestnut Hill Road, East Aurora, NY 14052 (US). GOLUB, Erica [US/US]; 820 Lang Way, Kimberly, WI 54136 (US).
- (74) **Agents:** GRENDZYNSKI, Michael E. et al.; Edell, Shapiro & Finnan, LLC, 1901 Research Blvd Suite 400, Rockville, MD 20850-3164 (US).

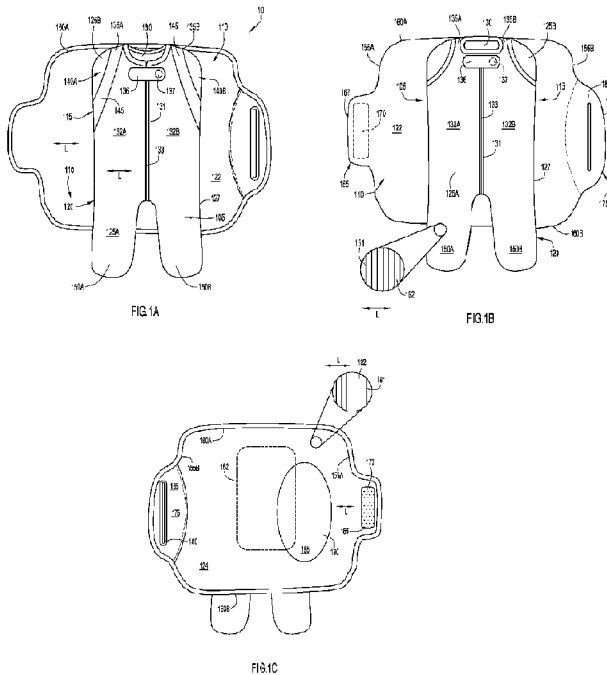
- (81) **Designated States (unless otherwise indicated, for every kind of national protection available):** AE, AG, AL, AM, AO, AT, AU, AZ, BA, BB, BG, BH, BR, BW, BY, BZ, CA, CH, CL, CN, CO, CR, CU, CZ, DE, DK, DM, DO, DZ, EC, EE, EG, ES, FI, GB, GD, GE, GH, GM, GT, HN, HR, HU, ID, IL, IN, IS, JP, KE, KG, KM, KN, KP, KR, KZ, LA, LC, LK, LR, LS, LT, LU, LY, MA, MD, ME, MG, MK, MN, MW, MX, MY, MZ, NA, NG, NI, NO, NZ, OM, PE, PG, PH, PL, PT, QA, RO, RS, RU, RW, SC, SD, SE, SG, SK, SL, SM, ST, SV, SY, TH, TJ, TM, TN, TR, TT, TZ, UA, UG, US, UZ, VC, VN, ZA, ZM, ZW.
- (84) **Designated States (unless otherwise indicated, for every kind of regional protection available):** ARIPO (BW, GH, GM, KE, LR, LS, MW, MZ, NA, RW, SD, SL, SZ, TZ, UG, ZM, ZW), Eurasian (AM, AZ, BY, KG, KZ, MD, RU, TJ, TM), European (AL, AT, BE, BG, CH, CY, CZ, DE, DK, EE, ES, FI, FR, GB, GR, HR, HU, IE, IS, IT, LT, LU, LV, MC, MK, MT, NL, NO, PL, PT, RO, RS, SE, SI, SK, SM, TR), OAPI (BF, BJ, CF, CG, CI, CM, GA, GN, GQ, GW, ML, MR, NE, SN, TD, TG).

Published:

- with international search report (Art. 21(3))
- before the expiration of the time limit for amending the claims and to be republished in the event of receipt of amendments (Rule 48.2(h))

[Continued on next page]

(54) **Title:** INFANT SWADDLING ARRANGEMENT



(57) **Abstract:** The present invention discloses an infant swaddling arrangement including an infant receiving portion and a blanket portion. The infant receiving portion may be a pocket or a bodysuit. The blanket portion is adapted to wrap around the infant, swaddling the infant. The blanket portion includes cinch mechanism that secures the blanket in its wrapped configuration.

WO 2012/142210 A3

(88) Date of publication of the international search report:
27 December 2012

A. CLASSIFICATION OF SUBJECT MATTER*A41B 13/06(2006.01)i, A47D 13/02(2006.01)i*

According to International Patent Classification (IPC) or to both national classification and IPC

B. FIELDS SEARCHED

Minimum documentation searched (classification system followed by classification symbols)

A41B 13/06; A41B 16/06; B68G 5/00; A41B 13/00; A47G 9/08

Documentation searched other than minimum documentation to the extent that such documents are included in the fields searched

Korean utility models and applications for utility models

Japanese utility models and applications for utility models

Electronic data base consulted during the international search (name of data base and, where practicable, search terms used)

eKOMPASS(KIPO internal) & Keywords:swaddle, infant, lateral, fastener, wrap*, aperture

C. DOCUMENTS CONSIDERED TO BE RELEVANT

Category*	Citation of document, with indication, where appropriate, of the relevant passages	Relevant to claim No.
A	US 7246392 B2 (SCHMID, WILLIAM R. et al.) 24 July 2007 See columns 3-5, figures 1-4 and claims 1-2.	1-18,20
A	US 6868566 B2 (GATTEN, MICHAEL DEAN) 22 March 2005 See columns 3-5, figures 1-3 and claims 1-7.	1-18,20
A	KR 20-2007-0001211 U (YU, YUN MYUNG) 22 November 2007 See figures 1-2 and claim 1.	1-18,20
A	US 6928674 B2 (BLACKBURN, NIJOLE) 16 August 2005 See columns 1-2 and figure 1.	1-18,20
A	US 7774875 B1 (ZEIDMAN, HINDI R.) 17 August 2010 See columns 4-5 and figures 1-7.	1-18,20

 Further documents are listed in the continuation of Box C. See patent family annex.

* Special categories of cited documents:

"A" document defining the general state of the art which is not considered to be of particular relevance

"E" earlier application or patent but published on or after the international filing date

"L" document which may throw doubts on priority claim(s) or which is cited to establish the publication date of citation or other special reason (as specified)

"O" document referring to an oral disclosure, use, exhibition or other means

"P" document published prior to the international filing date but later than the priority date claimed

"T" later document published after the international filing date or priority date and not in conflict with the application but cited to understand the principle or theory underlying the invention

"X" document of particular relevance; the claimed invention cannot be considered novel or cannot be considered to involve an inventive step when the document is taken alone

"Y" document of particular relevance; the claimed invention cannot be considered to involve an inventive step when the document is combined with one or more other such documents, such combination being obvious to a person skilled in the art

"&" document member of the same patent family

Date of the actual completion of the international search

30 OCTOBER 2012 (30.10.2012)

Date of mailing of the international search report

31 OCTOBER 2012 (31.10.2012)

Name and mailing address of the ISA/KR

Korean Intellectual Property Office
189 Cheongsu-ro, Seo-gu, Daejeon Metropolitan
City, 302-701, Republic of Korea

Facsimile No. 82-42-472-7140

Authorized officer

Lee, Jae Woong

Telephone No. 82-42-481-8716



Box No. II Observations where certain claims were found unsearchable (Continuation of item 2 of first sheet)

This international search report has not been established in respect of certain claims under Article 17(2)(a) for the following reasons:

1. Claims Nos.:
because they relate to subject matter not required to be searched by this Authority, namely:

2. Claims Nos.: 19
because they relate to parts of the international application that do not comply with the prescribed requirements to such an extent that no meaningful international search can be carried out, specifically:
Claim 19 is not clear because it is worded in reference to claim 19, itself (PCT Article 6).

3. Claims Nos.:
because they are dependent claims and are not drafted in accordance with the second and third sentences of Rule 6.4(a).

Box No. III Observations where unity of invention is lacking (Continuation of item 3 of first sheet)

This International Searching Authority found multiple inventions in this international application, as follows:

1. As all required additional search fees were timely paid by the applicant, this international search report covers all searchable claims.
2. As all searchable claims could be searched without effort justifying an additional fee, this Authority did not invite payment of any additional fee.
3. As only some of the required additional search fees were timely paid by the applicant, this international search report covers only those claims for which fees were paid, specifically claims Nos.:

4. No required additional search fees were timely paid by the applicant. Consequently, this international search report is restricted to the invention first mentioned in the claims; it is covered by claims Nos.:

Remark on Protest

- The additional search fees were accompanied by the applicant's protest and, where applicable, the payment of a protest fee.
- The additional search fees were accompanied by the applicant's protest but the applicable protest fee was not paid within the time limit specified in the invitation.
- No protest accompanied the payment of additional search fees.

INTERNATIONAL SEARCH REPORT

Information on patent family members

International application No.

PCT/US2012/033202

Patent document cited in search report	Publication date	Patent family member(s)	Publication date
US 7246392 B2	24.07.2007	US 2007-0056098 A1 WO 2007-030726 A1 WO 2007-030726 A9	15.03.2007 15.03.2007 05.07.2007
US 6868566 B2	22.03.2005	AT 483371 T DE 60334463 D1 EP 1538934 A2 EP 1538934 A4 EP 1538934 B1 US 2004-0019969 A1 US 2005-0125895 A1 US 2006-0150330 A1 US 7043783 B2 US 7181789 B2 WO 2004-014163 A2 WO 2004-014163 A3 WO 2004-014163 A3	15.10.2010 18.11.2010 15.06.2005 21.11.2007 06.10.2010 05.02.2004 16.06.2005 13.07.2006 16.05.2006 27.02.2007 19.02.2004 19.02.2004 04.11.2004
KR 20-2007-0001211 U	22.11.2007	None	
US 6928674 B2	16.08.2005	CA 2465983 A1 US 2004-0216230 A1	01.11.2004 04.11.2004
US 7774875 B1	17.08.2010	None	