



US00D720189S

(12) **United States Design Patent**  
**Lee**

(10) **Patent No.:** **US D720,189 S**

(45) **Date of Patent:** **\*\* Dec. 30, 2014**

(54) **JUICE EXTRACTOR**

(71) Applicant: **Wen Ching Lee**, Taichung (TW)

(72) Inventor: **Wen Ching Lee**, Taichung (TW)

(\*\*) Term: **14 Years**

(21) Appl. No.: **29/464,422**

(22) Filed: **Aug. 16, 2013**

(51) **LOC (10) Cl.** ..... **07-04**

(52) **U.S. Cl.**

USPC ..... **D7/665**

(58) **Field of Classification Search**

CPC ..... A47J 19/02; A47J 19/027; A47J 19/00;  
A47J 19/06; A47J 19/022; A47J 44/00;  
A47J 44/02; A47J 43/00; A47J 43/25; A47J  
43/046; A47J 43/0722; A47J 31/00; A47J  
31/005; A47J 31/02; A47J 31/04; A23N 1/02;  
A23N 1/00; A23N 1/003; A23N 1/006  
USPC ..... D7/368, 665-667, 412, 376-386, 372,  
D7/373, 375, 374, 300, 304, 305, 309, 310,  
D7/311, 312, 313; 241/92, 101.1-101.73,  
241/285.1-285.3, 36, 37.5, 100, 282.1;  
99/501-513, 495, 499, 348, 357, 349,  
99/369, 370, 496-497, 279, 280, 284,  
99/290; 366/98, 142, 197-211, 241-254,  
366/279-292, 341-347, 64-67; 100/213,  
100/218, 283, 288, 208; 416/75, 70 R, 76,  
416/77

See application file for complete search history.

(56) **References Cited**

**U.S. PATENT DOCUMENTS**

D159,469 S \* 8/1950 Bennett ..... D7/665  
D325,322 S \* 4/1992 Maass ..... D7/384  
D439,808 S \* 4/2001 McClean et al. .... D7/665  
D471,408 S \* 3/2003 Fouquet ..... D7/665  
6,609,455 B2 \* 8/2003 Fouquet ..... 99/511

D501,370 S \* 2/2005 Hensel et al. .... D7/665  
D502,048 S \* 2/2005 Lin ..... D7/384  
D506,108 S \* 6/2005 Cohen et al. .... D7/665  
D513,943 S \* 1/2006 Hsu ..... D7/665  
7,040,220 B1 \* 5/2006 Cohen et al. .... 99/511  
D522,321 S \* 6/2006 Hsu ..... D7/665  
7,066,082 B2 \* 6/2006 O'Loughlin ..... 99/511  
D526,540 S \* 8/2006 Cohen et al. .... D7/665  
D534,400 S \* 1/2007 Cohen et al. .... D7/665  
D538,115 S \* 3/2007 Lin ..... D7/665  
D538,116 S \* 3/2007 Siu ..... D7/665  
D540,127 S \* 4/2007 Ye et al. .... D7/665  
D555,434 S \* 11/2007 Cohen et al. .... D7/665  
D565,363 S \* 4/2008 Fouquet ..... D7/666  
D572,092 S \* 7/2008 Since ..... D7/665  
7,481,155 B2 \* 1/2009 Larsen ..... 99/511  
D594,717 S \* 6/2009 Wu Chang ..... D7/665  
D676,287 S \* 2/2013 Ferraby ..... D7/665  
D682,629 S \* 5/2013 Bachmann et al. .... D7/665  
8,474,375 B2 \* 7/2013 Jays et al. .... 100/104

(Continued)

*Primary Examiner* — Ian Simmons

*Assistant Examiner* — Shannon Morgan

(57) **CLAIM**

The ornamental design for a juice extractor, as shown and described.

**DESCRIPTION**

FIG. 1 is a perspective view of a juice extractor showing my new design;

FIG. 2 is a front end view thereof;

FIG. 3 is a rear end view thereof;

FIG. 4 is a left side view thereof;

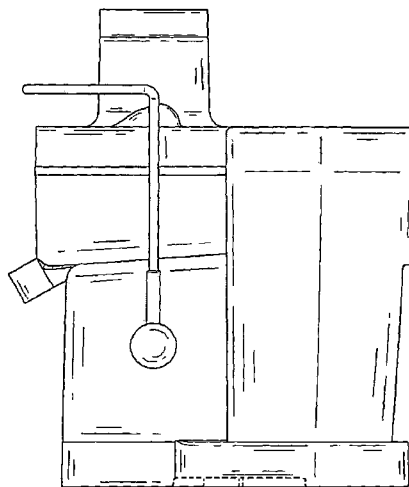
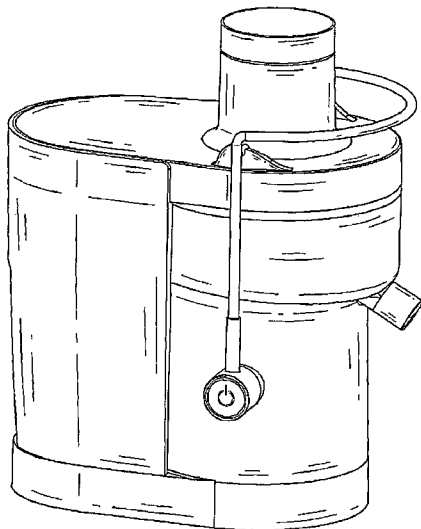
FIG. 5 is a right side view thereof;

FIG. 6 is a top plan view thereof; and,

FIG. 7 is a bottom plan view thereof.

The broken lines in FIGS. 5 and 7 of the juice extractor are for the purpose of illustrating environment, and form no part of the claimed design.

**1 Claim, 7 Drawing Sheets**



(56)

**References Cited**

U.S. PATENT DOCUMENTS

2003/0052206	A1 *	3/2003	Fouquet .....	241/92	2009/0272280	A1 *	11/2009	Cheung et al. ....	99/513
2003/0061944	A1 *	4/2003	Fouquet .....	99/511	2010/0139504	A1 *	6/2010	Wu Chang .....	99/510
2006/0086261	A1 *	4/2006	Cohen et al. ....	99/511	2010/0300307	A1 *	12/2010	Huang .....	99/511
2007/0261571	A1 *	11/2007	Esteve .....	99/504	2011/0083566	A1 *	4/2011	Backus .....	99/511
					2011/0154997	A1 *	6/2011	Huang .....	99/508
					2013/0255511	A1 *	10/2013	Steiner .....	99/513

\* cited by examiner

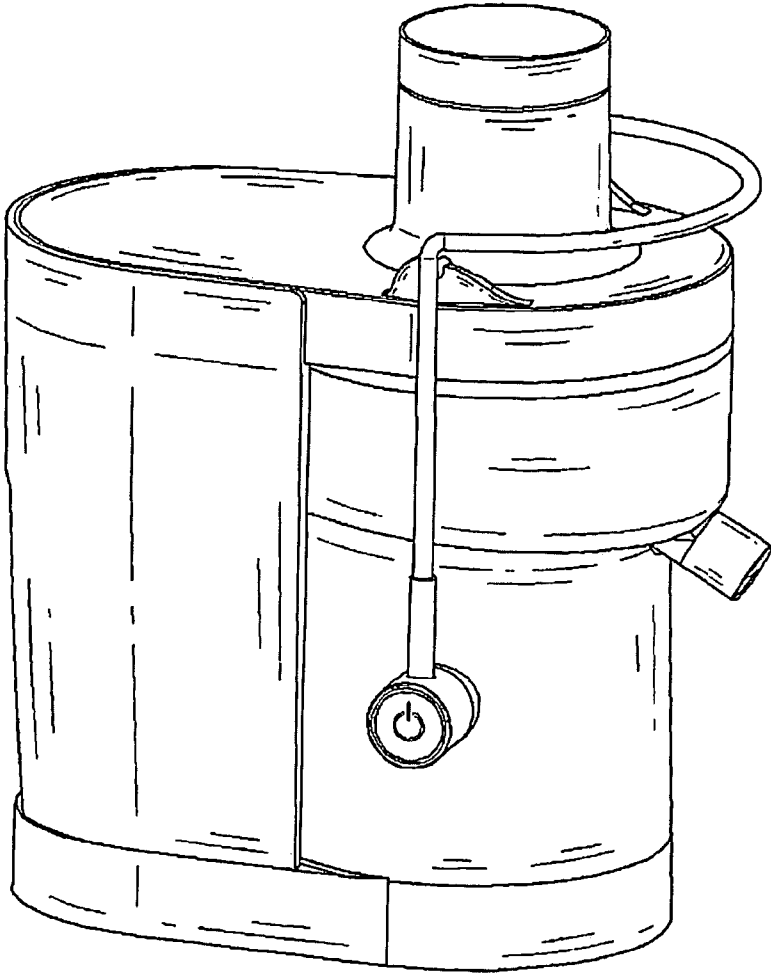


FIG. 1

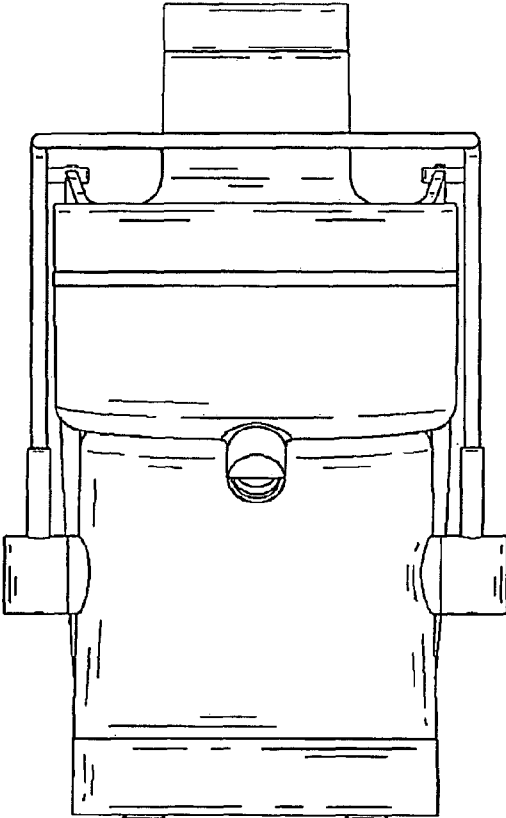


FIG. 2

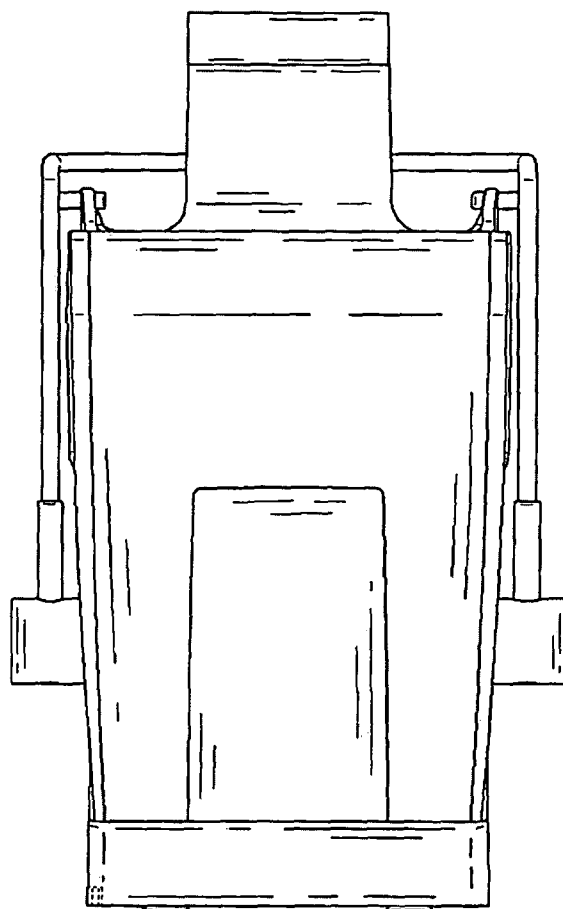


FIG. 3

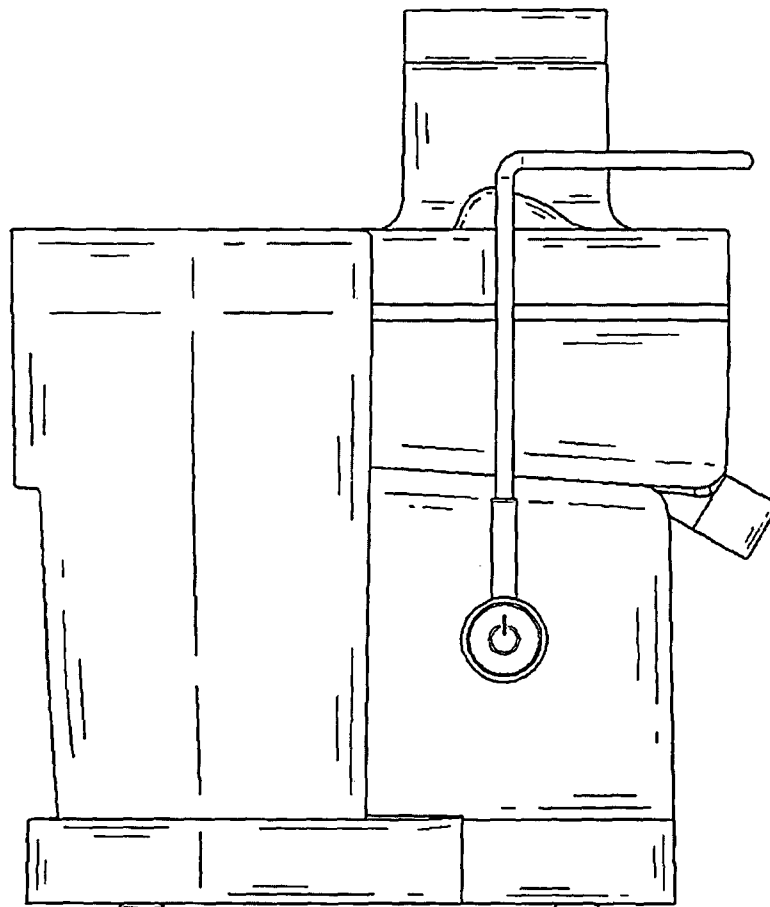


FIG. 4

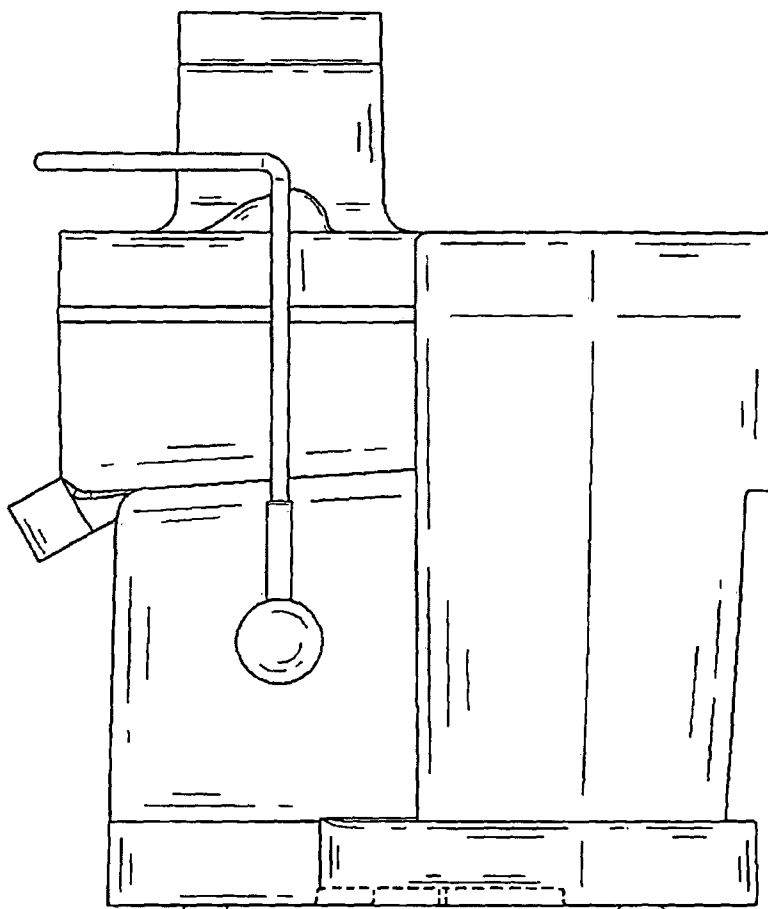


FIG. 5

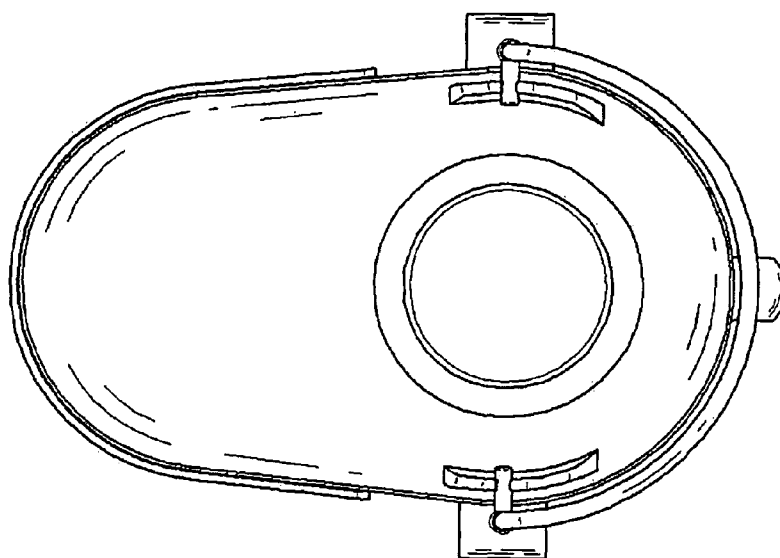


FIG. 6

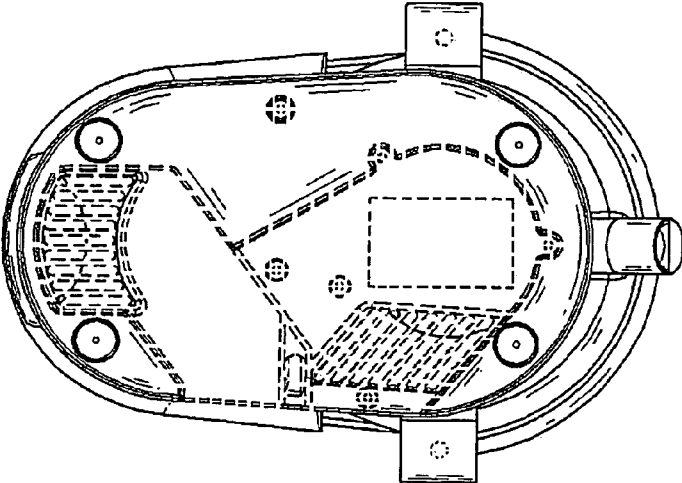


FIG. 7