

(19) World Intellectual Property Organization  
International Bureau



(43) International Publication Date  
13 December 2007 (13.12.2007)

PCT

(10) International Publication Number  
WO 2007/143229 A3

- (51) International Patent Classification:  
A47K 1/00 (2006.01)
- (21) International Application Number:  
PCT/US2007/060170
- (22) International Filing Date: 5 January 2007 (05.01.2007)
- (25) Filing Language: English
- (26) Publication Language: English
- (30) Priority Data:  
60/756,317 5 January 2006 (05.01.2006) US  
11/619,733 4 January 2007 (04.01.2007) US
- (71) Applicant and
- (72) Inventor: PALKON, David, J. [US/US]; 16842 New England Avenue, Tinley Park, IL 60477-2710 (US).
- (74) Agents: FISHMAN, Aaron, A. et al.; Pearne & Gordon LLP, 1801 East 9th Street, Suite 1200, Cleveland, OH 44114-3108 (US).
- (81) Designated States (unless otherwise indicated, for every kind of national protection available): AE, AG, AL, AM, AT, AU, AZ, BA, BB, BG, BR, BW, BY, BZ, CA, CH, CN,

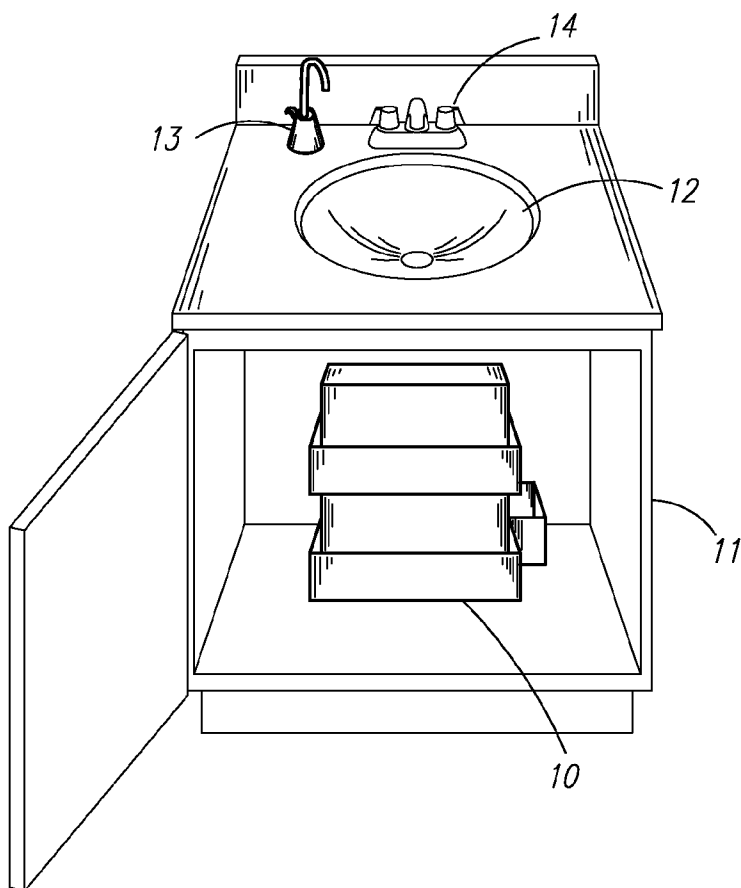
CO, CR, CU, CZ, DE, DK, DM, DZ, EC, EE, EG, ES, FI, GB, GD, GE, GH, GM, GT, HN, HR, HU, ID, IL, IN, IS, JP, KE, KG, KM, KN, KP, KR, KZ, LA, LC, LK, LR, LS, LT, LU, LV, LY, MA, MD, ME, MG, MK, MN, MW, MX, MY, MZ, NA, NG, NI, NO, NZ, OM, PG, PH, PL, PT, RO, RS, RU, SC, SD, SE, SG, SK, SL, SM, SV, SY, TJ, TM, TN, TR, TT, TZ, UA, UG, US, UZ, VC, VN, ZA, ZM, ZW.

(84) Designated States (unless otherwise indicated, for every kind of regional protection available): ARIPO (BW, GH, GM, KE, LS, MW, MZ, NA, SD, SL, SZ, TZ, UG, ZM, ZW), Eurasian (AM, AZ, BY, KG, KZ, MD, RU, TJ, TM), European (AT, BE, BG, CH, CY, CZ, DE, DK, EE, ES, FI, FR, GB, GR, HU, IE, IS, IT, LT, LU, LV, MC, NL, PL, PT, RO, SE, SI, SK, TR), OAPI (BF, BJ, CF, CG, CI, CM, GA, GN, GQ, GW, ML, MR, NE, SN, TD, TG).

**Published:**  
— with international search report  
— before the expiration of the time limit for amending the claims and to be republished in the event of receipt of amendments

[Continued on next page]

(54) Title: STORAGE TANK WITH ORGANIZER



(57) Abstract: A bladder tank for storing a liquid includes an outer housing and an inner bladder. A storage platform is mounted to the outer housing for storing an article thereon. Miscellaneous articles can be stored on the storage platform. The bladder tank can be mounted in a cabinet beneath a sink.

WO 2007/143229 A3



---

**(88) Date of publication of the international search report:**  
17 July 2008

# INTERNATIONAL SEARCH REPORT

International application No.

PCT/US07/60170

**A. CLASSIFICATION OF SUBJECT MATTER**  
 IPC: **A47K 1/00( 2006.01)**

USPC: **4/625**  
 According to International Patent Classification (IPC) or to both national classification and IPC

**B. FIELDS SEARCHED**

Minimum documentation searched (classification system followed by classification symbols)  
 U.S. : 4/625, 626; 222/95, 106

Documentation searched other than minimum documentation to the extent that such documents are included in the fields searched

Electronic data base consulted during the international search (name of data base and, where practicable, search terms used)

**C. DOCUMENTS CONSIDERED TO BE RELEVANT**

Category *	Citation of document, with indication, where appropriate, of the relevant passages	Relevant to claim No.
X --- Y	US 4,021,343 A (Tyler) 03 May 1977 (03.05.1977), see entire document.	24-26 ----- 1-4, 10-12, 18-23, 27-32
X --- Y	US 397,963 A (Bond) 19 February 1889 (19.02.1889), see entire document.	5-9, 13-17 ----- 1-4, 10-12, 18-23, 27, 28

Further documents are listed in the continuation of Box C.       See patent family annex.

* Special categories of cited documents:	"T" later document published after the international filing date or priority date and not in conflict with the application but cited to understand the principle or theory underlying the invention
"A" document defining the general state of the art which is not considered to be of particular relevance	"X" document of particular relevance; the claimed invention cannot be considered novel or cannot be considered to involve an inventive step when the document is taken alone
"E" earlier application or patent published on or after the international filing date	"Y" document of particular relevance; the claimed invention cannot be considered to involve an inventive step when the document is combined with one or more other such documents, such combination being obvious to a person skilled in the art
"L" document which may throw doubts on priority claim(s) or which is cited to establish the publication date of another citation or other special reason (as specified)	"&" document member of the same patent family
"O" document referring to an oral disclosure, use, exhibition or other means	
"P" document published prior to the international filing date but later than the priority date claimed	

Date of the actual completion of the international search 13 May 2008 (13.05.2008)	Date of mailing of the international search report <b>28 MAY 2008</b>
---	--

Name and mailing address of the ISA/US Mail Stop PCT, Attn: ISA/US Commissioner for Patents P.O. Box 1450 Alexandria, Virginia 22313-1450 Facsimile No. (571) 273-3201	Authorized officer Robert M. Fetsuga <i>Anne Healy</i> Telephone No. 703/308-0861 <i>son</i>
---	--