



US00D998322S

(12) **United States Design Patent** (10) **Patent No.:** **US D998,322 S**
Rice (45) **Date of Patent:** **** Sep. 12, 2023**

(54) **COMPACT PILL ORGANIZER CASE**

FOREIGN PATENT DOCUMENTS

(71) Applicant: **Tavish Mciver Rice**, Miami, FL (US)

CN 102227354 B 10/2013
JP 4501302 B2 10/2002

(72) Inventor: **Tavish Mciver Rice**, Miami, FL (US)

(Continued)

(73) Assignee: **CHARMWOOD CHARGERS LLC**,
Dover, DE (US)

OTHER PUBLICATIONS

(**) Term: **15 Years**

CountryComm's Carbon Fiber Pocket Stash Box, theawesomer.com, Apr. 1, 2023, <https://theawesomer.com/carbon-fiber-pocket-stash-box/685472/> (Year: 2023)*

(21) Appl. No.: **29/890,762**

(Continued)

(22) Filed: **Apr. 27, 2023**

Primary Examiner — Steven J Czyz

(51) **LOC (14) Cl.** **03-01**

(74) *Attorney, Agent, or Firm* — LEGALFORCE RAPC
WORLDWIDE

(52) **U.S. Cl.**

USPC **D3/203.2**; D3/298

(58) **Field of Classification Search**

USPC D3/201, 203.1, 203.2, 203.3, 273, 298
CPC ... A61J 1/00; A61J 1/03; A61J 7/0084; B65D
2585/56; B65D 83/04; B65D 83/0445

See application file for complete search history.

(57) **CLAIM**

The ornamental design for a compact pill organizer case, as shown and described.

(56) **References Cited**

U.S. PATENT DOCUMENTS

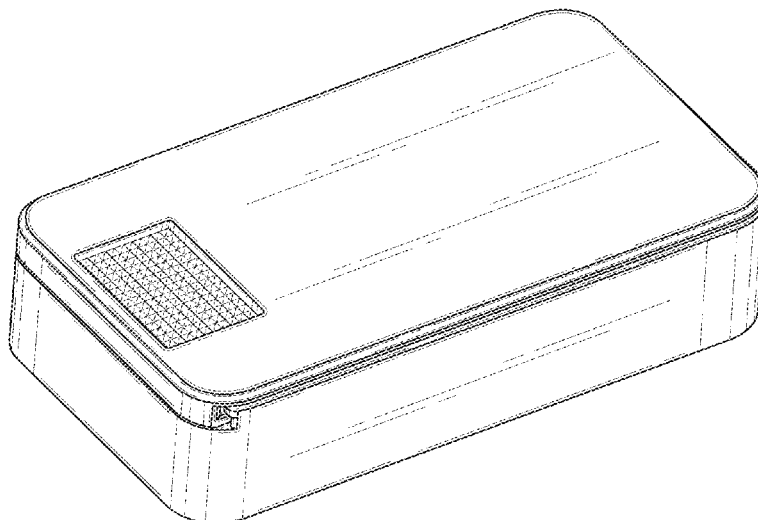
2,125,856 A	8/1938	De Witt	
3,061,136 A	10/1962	Tema	
3,782,584 A	1/1974	Swenson	
3,888,350 A *	6/1975	Horvath B65D 43/12 220/345.3
4,007,828 A	2/1977	Mayled	
4,113,098 A *	9/1978	Howard A61J 1/03 220/345.3
4,126,224 A *	11/1978	Laauwe B65D 43/20 220/345.2
4,284,204 A	8/1981	Carey, Jr.	
D271,081 S	10/1983	Noble	
4,793,492 A	12/1988	Halbich	
D304,905 S	12/1989	Zimmerman	
D337,725 S	7/1993	Bunin	
5,226,539 A	7/1993	Cheng	
5,275,291 A	1/1994	Sledge	
5,803,254 A	9/1998	Vasudeva	

(Continued)

DESCRIPTION

FIG. 1 is a front, top, left side perspective view for a compact pill organizer case, showing my new design; FIG. 2 is a front elevational view of FIG. 1 thereof, the rear elevational view being a mirror image; FIG. 3 is a left side elevational view of FIG. 1 thereof; FIG. 4 is a right side elevational view of FIG. 1 thereof; FIG. 5 is a top plan view of FIG. 1 thereof; FIG. 6 is a bottom plan view of FIG. 1 thereof; FIG. 7 is an exploded front, top, left side perspective view of the compact pill organizer case of FIG. 1 thereof, showing the lid and base; and, FIG. 8 is an exploded front, bottom, right side perspective view of the compact pill organizer case of FIG. 1 thereof, showing the lid and base.

1 Claim, 8 Drawing Sheets



(56)

References Cited

OTHER PUBLICATIONS

U.S. PATENT DOCUMENTS

D407,972	S *	4/1999	Hilton	D9/422
6,021,902	A	2/2000	Wu		
6,167,680	B1	1/2001	Horn		
D465,729	S *	11/2002	Nishimura	D9/422
D497,103	S *	10/2004	Malloy	D3/203.2
6,848,577	B2	2/2005	Kawamura et al.		
D516,801	S	3/2006	Jones et al.		
7,387,207	B2	6/2008	Priebe et al.		
7,494,012	B1	2/2009	Priebe et al.		
D612,894	S	3/2010	Evans		
7,721,908	B2	5/2010	Cronin et al.		
7,798,330	B2	9/2010	Noble et al.		
D645,658	S *	9/2011	Rietjens	D3/203.3
8,066,123	B2	11/2011	Gelardi		
8,123,036	B2	2/2012	Luciano et al.		
D677,052	S *	3/2013	Eisenhardt	D3/298
D689,689	S *	9/2013	Magno	D3/203.2
8,672,134	B2	3/2014	Sprada et al.		
D720,525	S *	1/2015	Magno	D3/203.2
D747,869	S	1/2016	Priebe		
9,387,154	B2	7/2016	Aggarwal et al.		
D775,462	S	1/2017	Noble		
9,889,068	B1	2/2018	Bakhoun		
9,938,042	B1 *	4/2018	Aryanpanah	B65D 11/20
9,981,783	B2	5/2018	Valley et al.		
D824,253	S	7/2018	Mayer		
D833,733	S	11/2018	Chen		
D860,636	S *	9/2019	Moody	D3/203.3
D876,821	S	3/2020	Lee		
D878,197	S *	3/2020	Griffin	A61J 1/03 D9/414
D897,665	S	10/2020	Guo et al.		
D915,060	S	4/2021	Lee		
D919,283	S *	5/2021	Guo	B65D 43/12 D3/203.3
11,123,263	B2	9/2021	Lee		
D943,267	S	2/2022	Cen		
D945,159	S *	3/2022	Cooper	D27/189
D948,865	S *	4/2022	Tarafder	D3/203.3
D949,785	S *	4/2022	Wu	D3/298
D965,285	S *	10/2022	Chen	D3/203.2
D965,904	S *	10/2022	Pan	D28/83
D966,616	S *	10/2022	Pan	D28/83
D966,698	S *	10/2022	Chen	D3/203.1
D971,588	S *	12/2022	Zhang	D3/203.2
D974,743	S *	1/2023	Xu	D3/203.3
D977,821	S *	2/2023	Chen	A45D 33/20 D3/203.3
D980,620	S	3/2023	Chen		
D985,929	S *	5/2023	Chang	D3/203.2
2004/0055903	A1	3/2004	Nishimura		
2011/0056864	A1	3/2011	Chia et al.		
2019/0289978	A1 *	9/2019	Masubuchi	A45D 33/20
2022/0175618	A1 *	6/2022	Wang	A61J 1/03

FOREIGN PATENT DOCUMENTS

KR	20180005744	A	1/2018
WO	2013099874	A1	7/2013

"Small pill case, little pill box, daily pill case, walnut box, medicine organizer, 3 day pill case, pill organizer, wood box", by boisboisPillCases, Found Online on [Apr. 18, 2023] https://i.etsystatic.com/21853325/r/ii/27c344/2316840831/il_1140xN.2316840831_e81q.jpg.

"Rectangle Pill Box, Pill Case, Decorative Pocket Purse Portable Travel Pill Case & Medicine Organizer", by Hennaja, Published Online on [Dec. 4, 2020] https://m.media-amazon.com/images/I/71NIZeTFI4L._AC_SX679_.jpg.

"Custom Logo 3 Compartment Daily Pill Box Slide Lid Portable Medicine Pill Organizer Storage Box", by OEM, Found Online on [Apr. 18, 2023] https://s.alicdn.com/@sc04/kf/H52326c010a4641c5a79fabf47ff7f4559.jpg_960x960.jpg.

"Popular Portable designer Plastic Pill Storage Cases Travel Pill Box", Found Online on [Apr. 18, 2023] https://s.alicdn.com/@sc04/kf/Hb280afa06f048ec9272efab9e779b17Z.jpg_960x960.jpg.

"Small Portable Pill Box with Hook Up ,3 Compartment Sliding Travel Pill Case for Purse Vitamin Keychain Pill Holder", by Cheers.US, Found Online on [Apr. 18, 2023] <https://i5.walmartimages.com/asr/221b4067-6476-4720-bb0e-9dd760700c6c.305be4c5bc2fcb10540ff72491f8d7db.jpeg?odnHeight=2000&odnWidth=2000&odnBg=FFFFFF>.

"Mini Iron Box Slide Cover Storage Box Wedding Jewelry Pill Casest", by Joom, Found Online on [Apr. 18, 2023] https://img.joomcdn.net/7a2c6971dee4203ee8d946f888cf4023adc55c7c_original.jpeg.

"Pill Case 3 Removable Compartments Pill Box BPA-Free, Day Pill Organizer/3 Times a Day/AM-PM Travel Pill Organizer for Pocket or Purse Storage Vitamin, Fish Oil or Medicine", by Muchengbao, [Published Online on Jun. 27, 2017] https://m.media-amazon.com/images/I/71MVY1Yb4ZL._AC_SX679_.jpg.

"3.14"x1.35" Rectangular Slider Tin", by specialtybottle, Found Online on [Apr. 18, 2023] https://cdn11.bigcommerce.com/s-xizoo/images/stencil/1280x1280/products/1155/3115/tsid1-2-opened_51594.1515084286.jpg?c=2.

"Solid Carved Wood Pretty and Designer Pill Box, Jumbo Wooden Decorative Pill Box 7 Day, Weekly Pill Planner Vitamin Organizer and Pill sorter, Beech Wooden Pill Box with Sliding lid and Pili minder", by Pink champagne121, [Published Online on Oct. 5, 2020] https://m.media-amazon.com/images/I/71fc8Vre6IL._AC_SX679_.jpg.

"Waterproof Pill Canister", by Metador, Found Online on [Apr. 18, 2023] https://cdn.shopify.com/s/files/1/0585/0209/products/20PillExplosion_1000x.jpg?v=1647630991.

"Large Press and Slide Open Weekly Pill Organizer, Quick Filling Pill Box 7 Day for Daily Vitamin/Medication/Supplement/Fish Oil", by Zikee, Published Online on [Aug. 23, 2022] https://m.media-amazon.com/images/I/51ZXjG6uydL._AC_SX679_.jpg.

"Pill Organizer 7 Day, Betife Daily Pill Box, Weekly Travel Pill Case, Cute Pill Holder to Hold Vitamins, Medicines, Pills, Supplements", by Betife, Published Online on [Dec. 31, 2021] https://m.media-amazon.com/images/I/6104ufrJqIL._AC_SL1500_.jpg.

"4 Times a Day x7 Day Large Pill Organizer", by e-pill Found Online on [Apr. 18, 2023] <https://sep.turbifycdn.com/ay/epill/e-pill-medinizer-7-day-large-capacity-pill-organizer-15.png>.

* cited by examiner

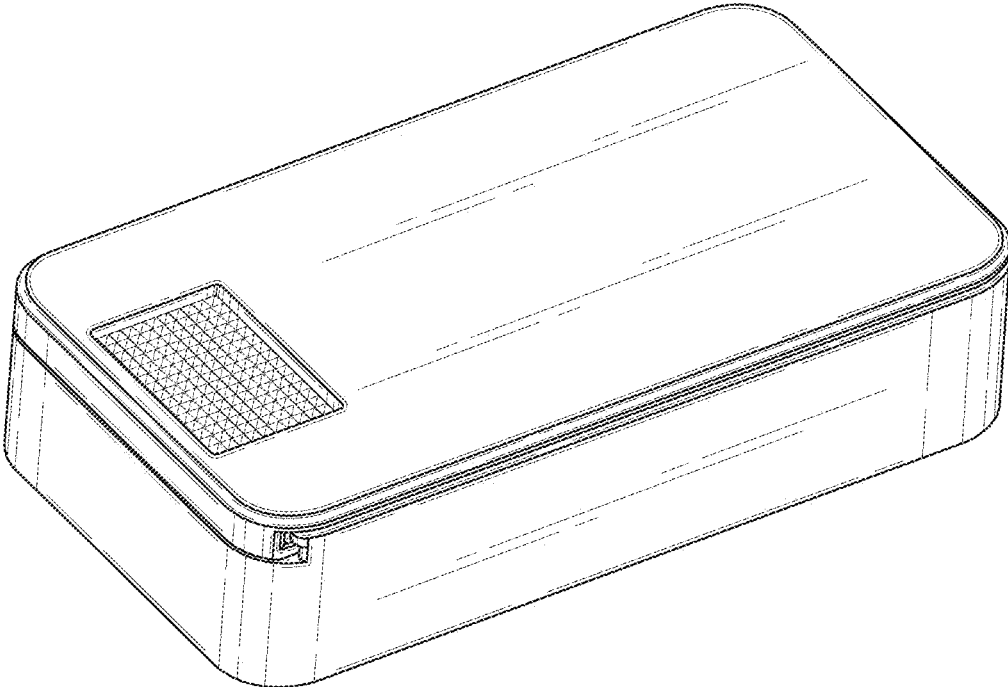


FIG. 1



FIG. 2

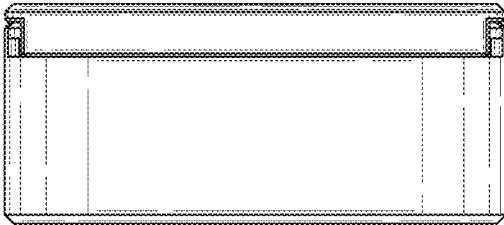


FIG. 3



FIG. 4

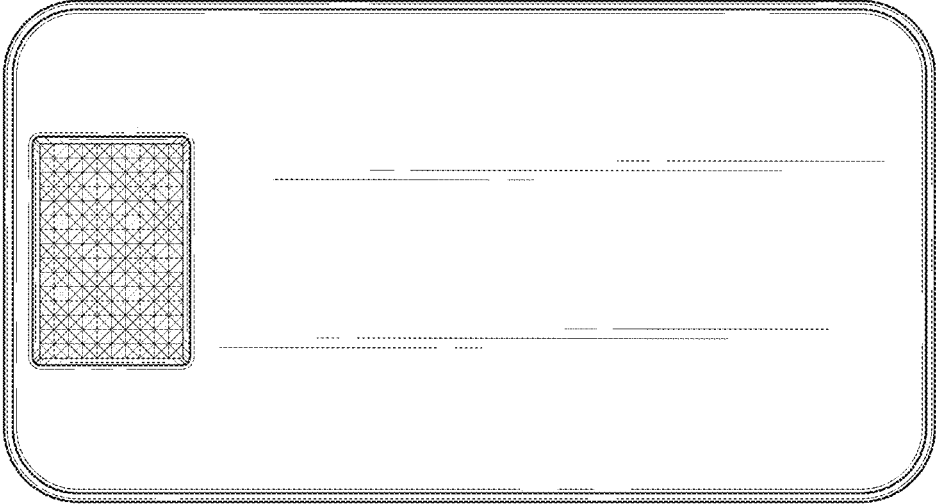


FIG. 5

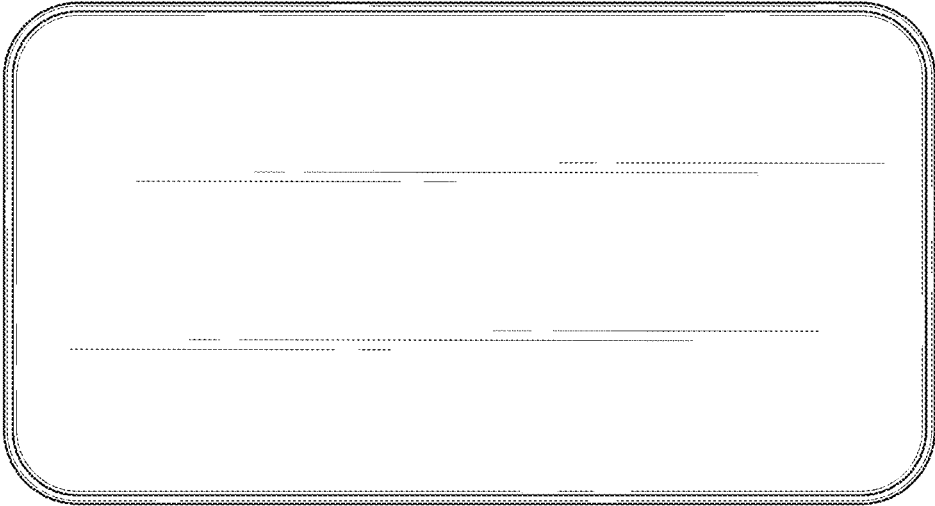


FIG. 6

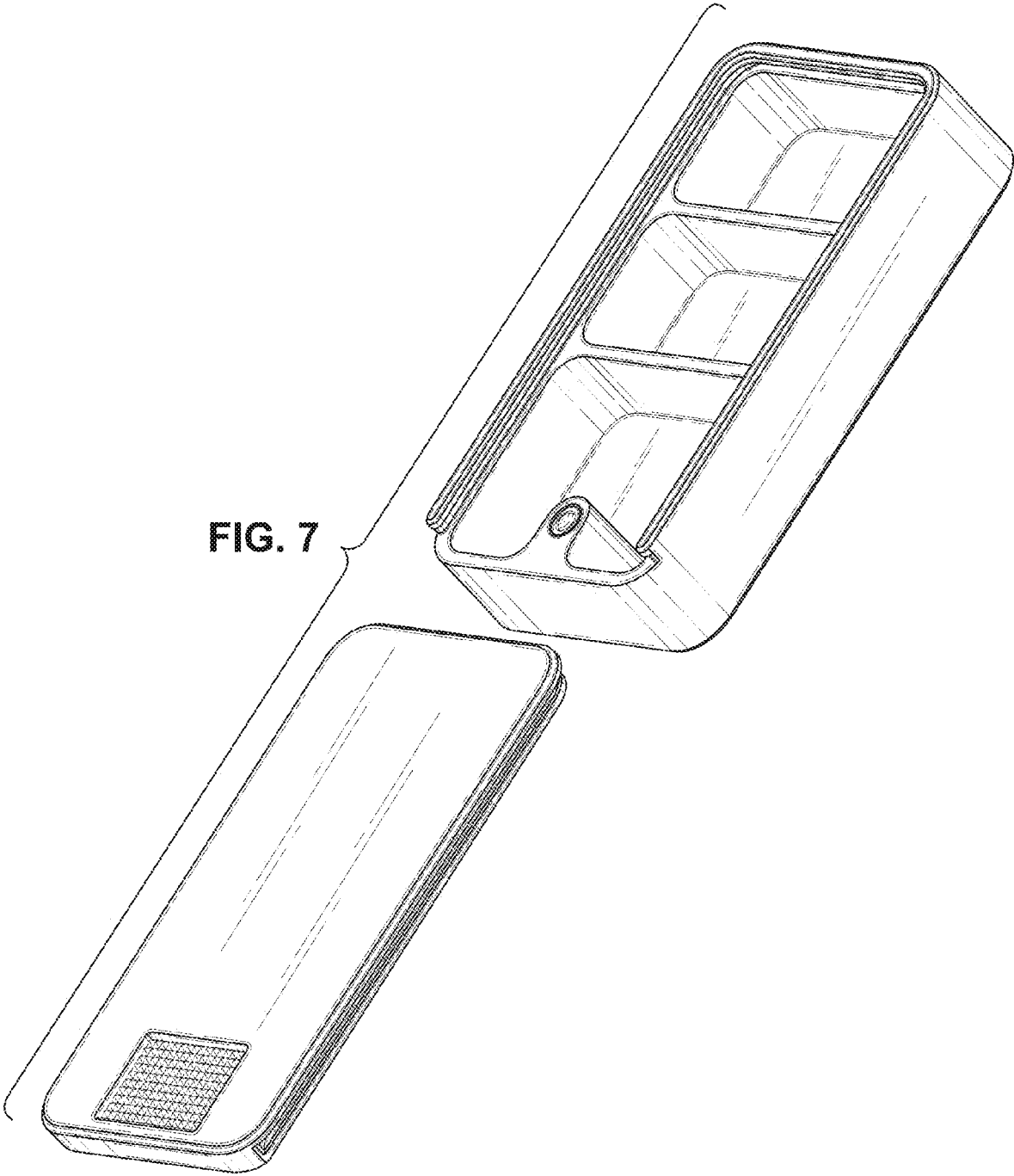


FIG. 7

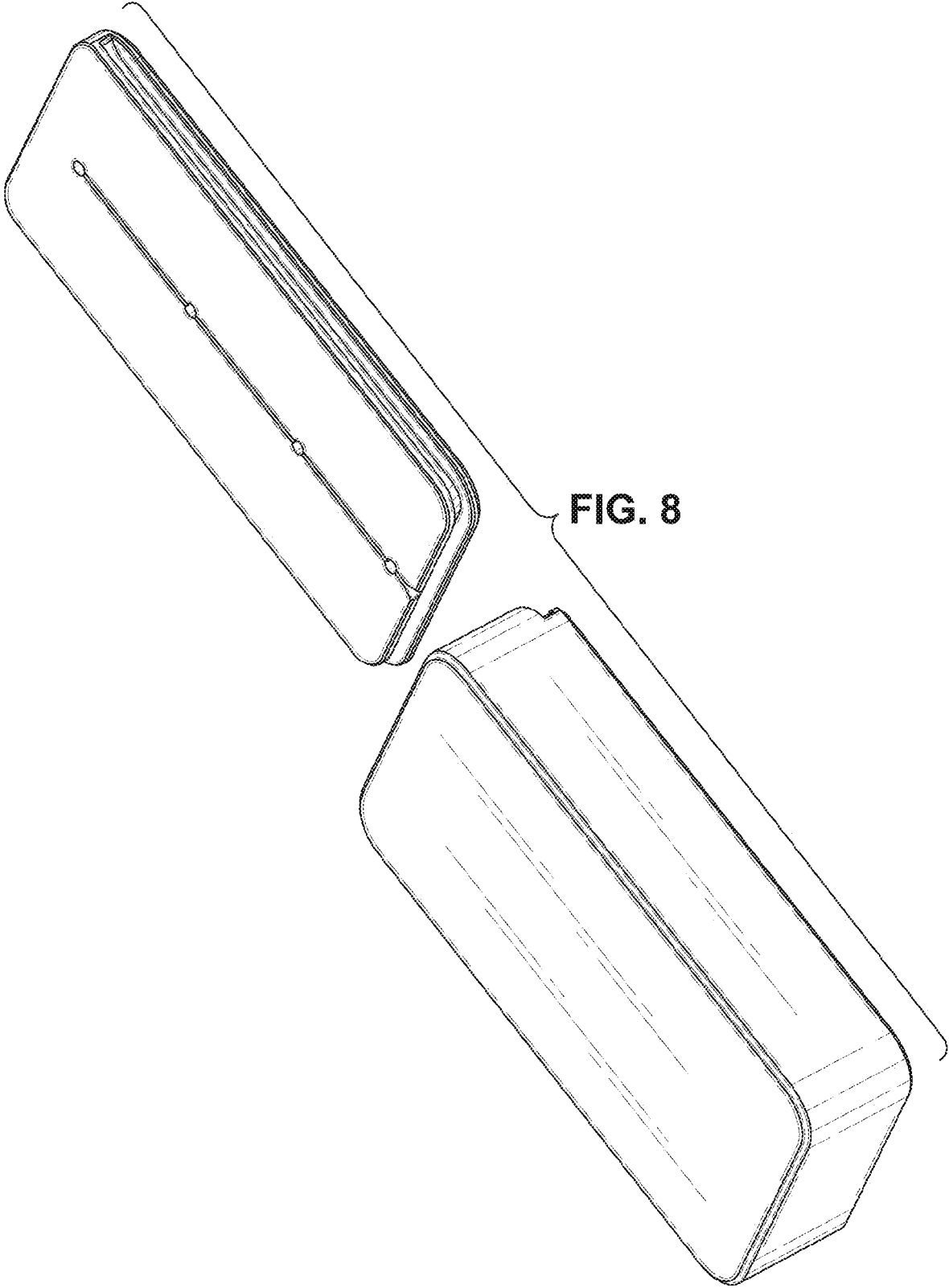


FIG. 8