



US00D752248S

(12) **United States Design Patent**
Kopp et al.

(10) **Patent No.:** **US D752,248 S**

(45) **Date of Patent:** **** Mar. 22, 2016**

(54) **LANDSCAPE EDGING**

(71) Applicant: **Suncast Technologies, LLC**, Palm Beach Gardens, FL (US)

(72) Inventors: **Robert G. Kopp**, Elburn, IL (US);
Michael R. Vogler, Oswego, IL (US)

(73) Assignee: **Suncast Technologies, LLC**, Palm Beach Gardens, FL (US)

(**) Term: **14 Years**

(21) Appl. No.: **29/480,366**

(22) Filed: **Jan. 24, 2014**

(51) **LOC (10) Cl.** **25-01**

(52) **U.S. Cl.**

USPC **D25/164**

(58) **Field of Classification Search**

USPC D5/1, 2, 3, 44, 58, 60, 99; D6/332;
D25/58, 113, 114, 115, 136, 138, 139,
D25/140-144, 153, 156, 157, 159, 163, 164,
D25/199

CPC E04B 1/62; E04B 1/68; E04B 2/08;
E04B 2/18; E04B 2/28; E04B 2/30; E04B
2002/0215; E04B 2002/0297; E04C 5/04;
E06B 9/01

See application file for complete search history.

(56) **References Cited**

U.S. PATENT DOCUMENTS

D448,859 S * 10/2001 Doman D25/113
D448,861 S * 10/2001 Daniels et al. D25/113

6,944,998	B1 *	9/2005	King	52/314
D557,428	S *	12/2007	Doman	D25/113
D570,499	S *	6/2008	Vogler	D25/112
D646,403	S *	10/2011	MacDonald	D25/113
D653,356	S *	1/2012	MacDonald	D25/113
D662,223	S *	6/2012	Fuller et al.	D25/112
D674,510	S *	1/2013	Riccobene	D25/113
D680,233	S *	4/2013	Riccobene	D25/113
D680,663	S *	4/2013	Riccobene	D25/113
D680,664	S *	4/2013	Riccobene	D25/113
2009/0293377	A1 *	12/2009	Doman	52/102
2014/0290132	A1 *	10/2014	Bent	47/33

* cited by examiner

Primary Examiner — Eric Goodman

Assistant Examiner — Amy Wierenga

(74) *Attorney, Agent, or Firm* — McHale & Slavin, P.A.

(57) **CLAIM**

The ornamental design for a landscape edging, as shown and described.

DESCRIPTION

FIG. 1 is a top right perspective view of the landscape edging of the present invention;

FIG. 2 is a top front perspective view thereof;

FIG. 3 is a front view thereof;

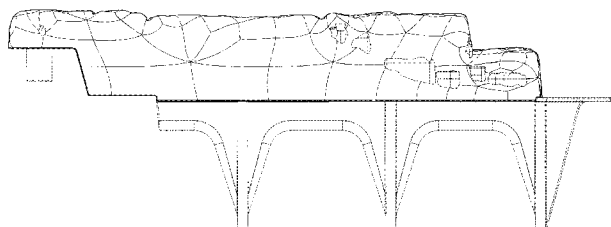
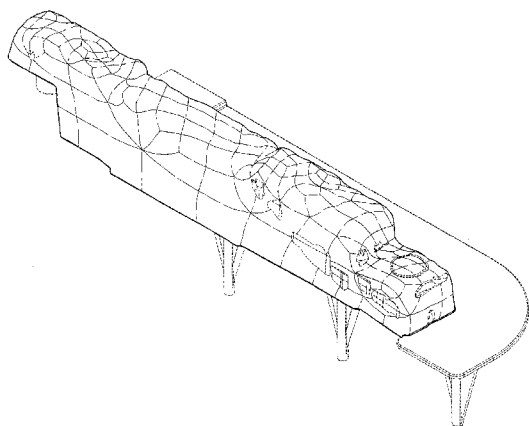
FIG. 4 is a top view thereof;

FIG. 5 is a left side view thereof; and,

FIG. 6 is a right side view thereof.

The broken lines depict portions of the landscape edging that form no part of the claimed design.

1 Claim, 5 Drawing Sheets



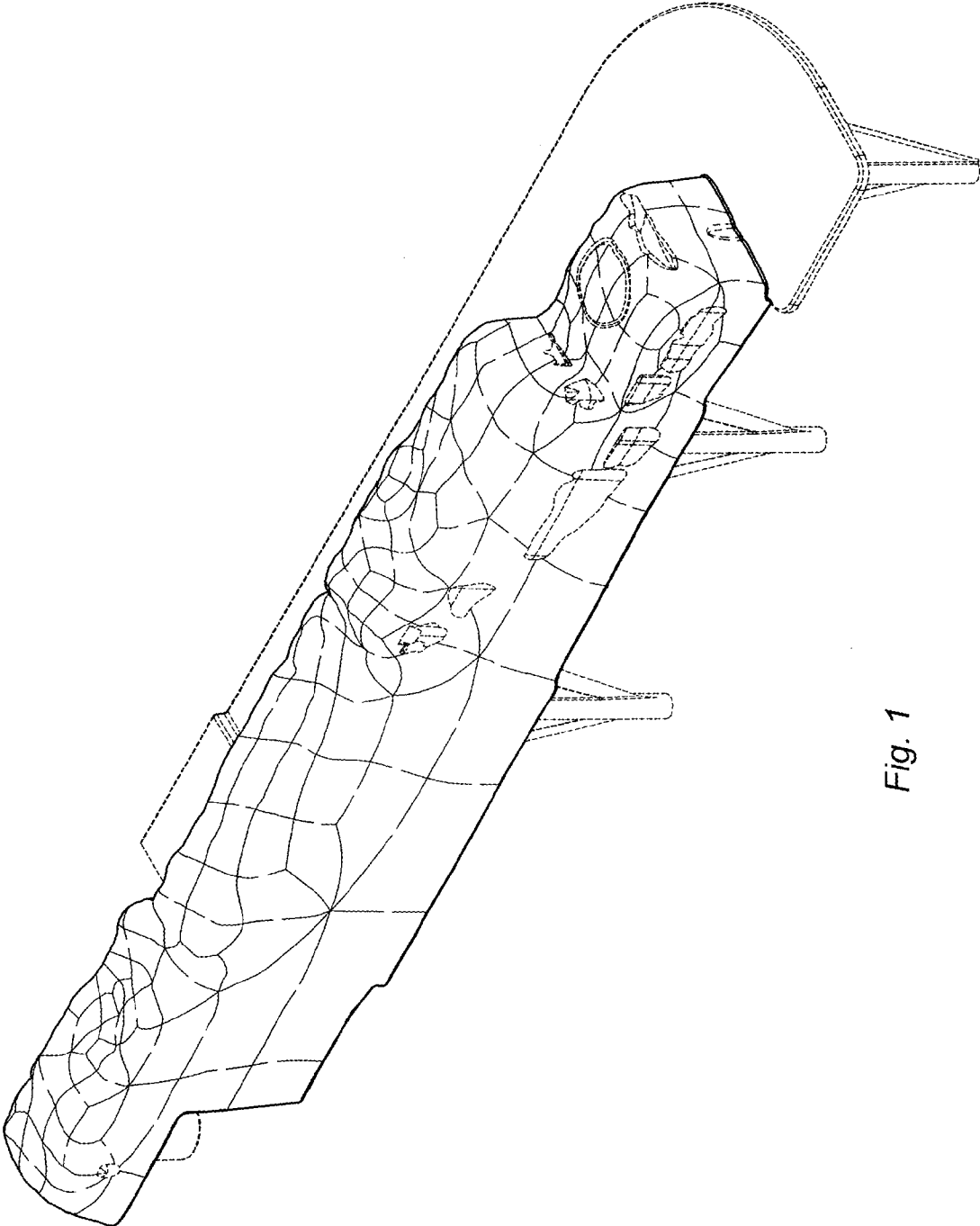


Fig. 1

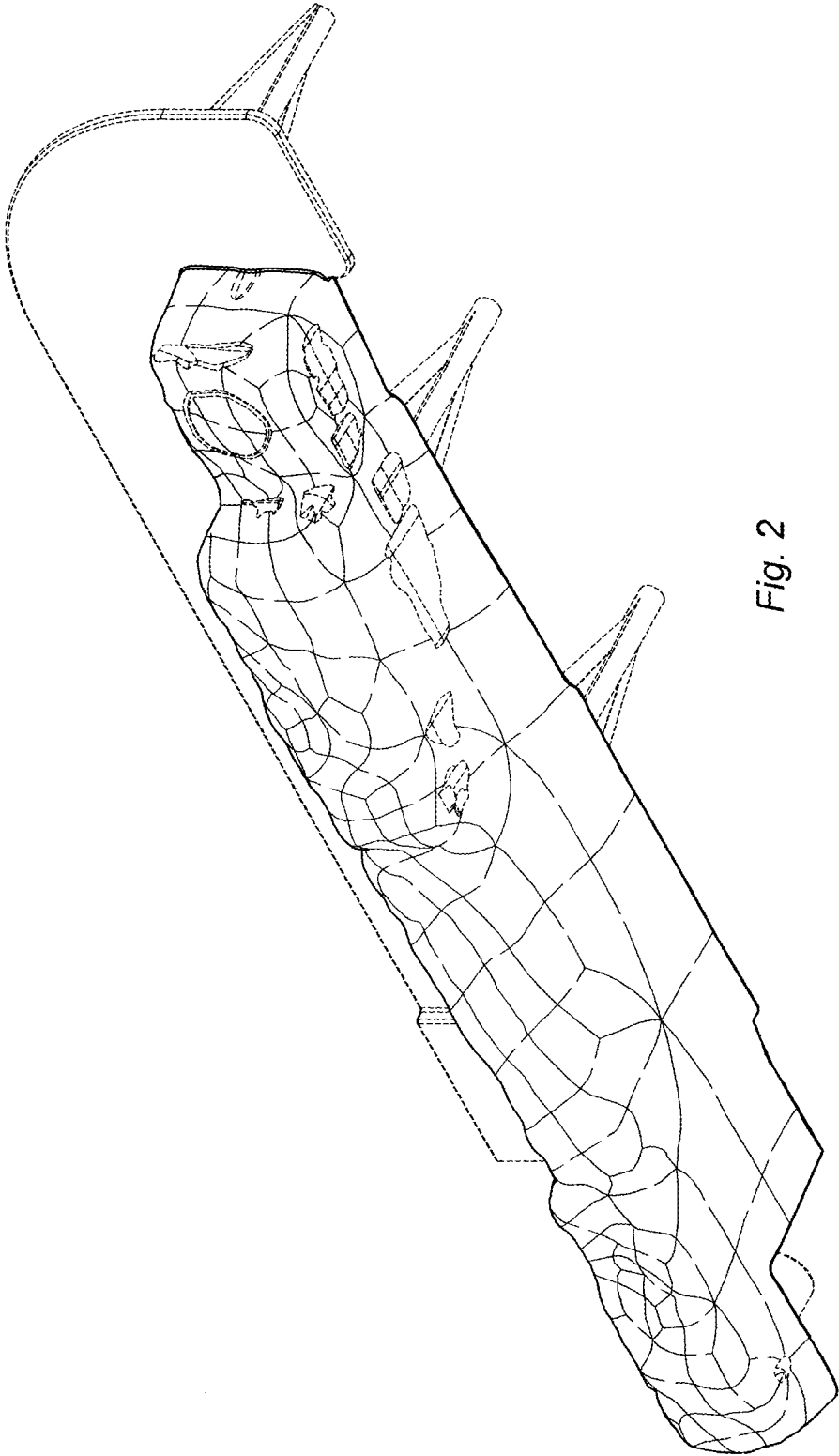


Fig. 2

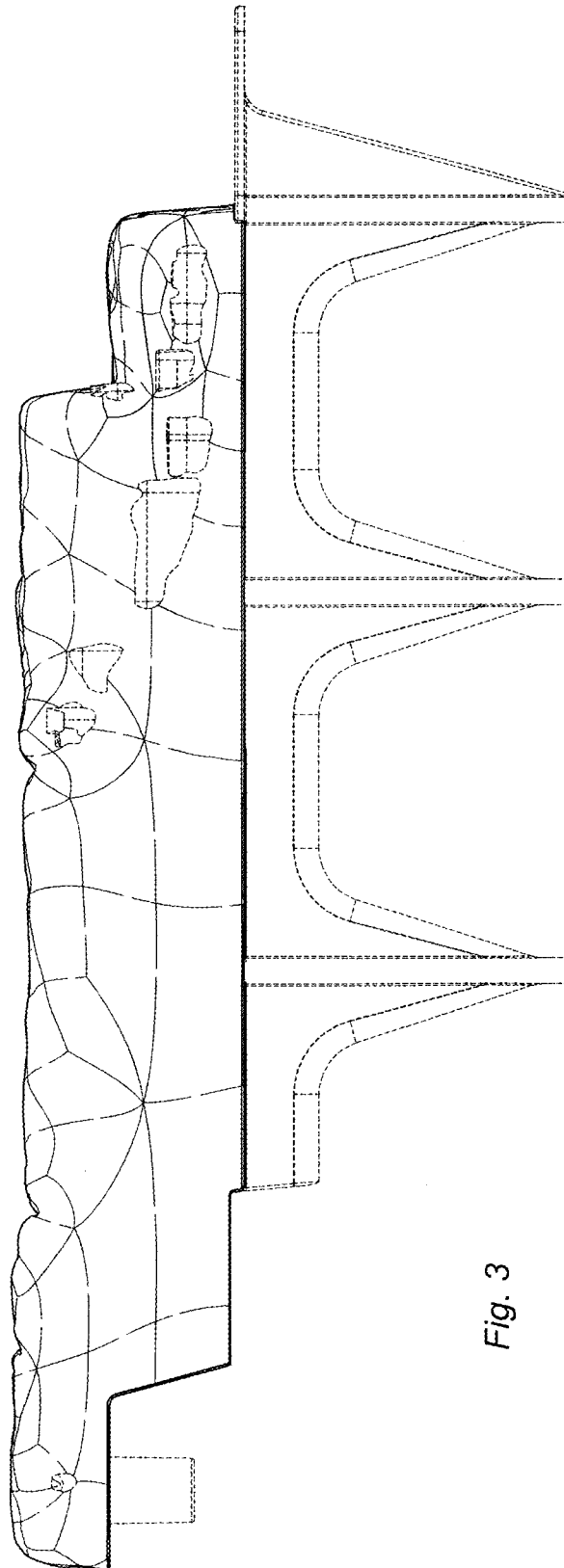


Fig. 3

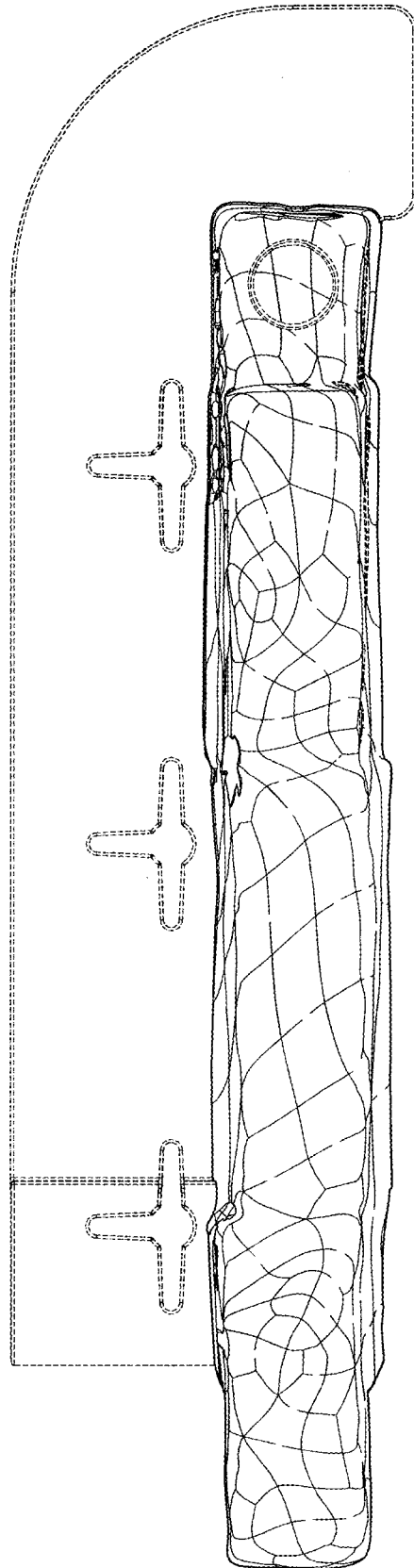


Fig. 4

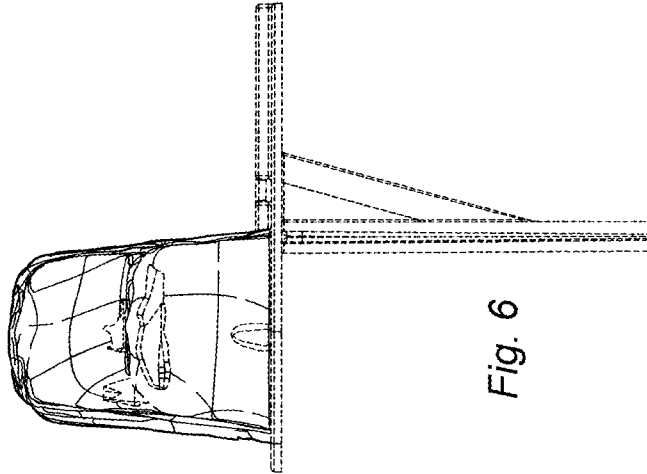


Fig. 6

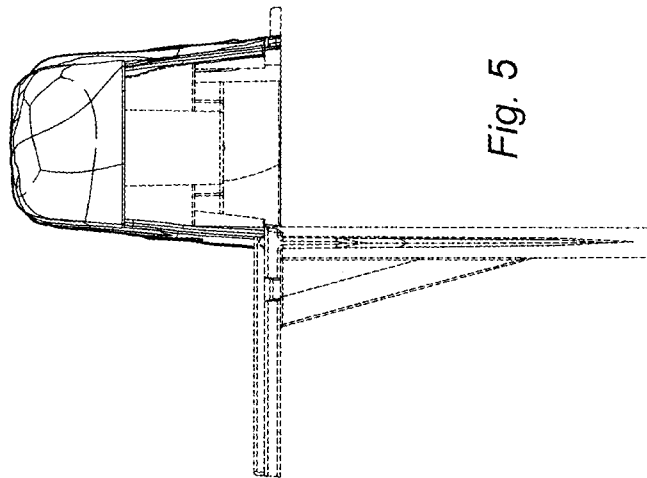


Fig. 5