



US00D482727S

(12) **United States Design Patent**
Hung

(10) **Patent No.:** **US D482,727 S**

(45) **Date of Patent:** **** Nov. 25, 2003**

(54) **MARKER**

(75) Inventor: **Peter M. H. Hung**, Kowloon (HK)

(73) Assignee: **Fulon Development Limited**, Kowloon (HK)

(**) Term: **14 Years**

(21) Appl. No.: **29/177,394**

(22) Filed: **Mar. 11, 2003**

(51) **LOC (7) Cl.** **19-06**

(52) **U.S. Cl.** **D19/43; D19/55; D19/56; D19/57**

(58) **Field of Search** 40/334; D19/35, D19/36, 41-51, 53-58, 81-85; 401/98, 131, 196, 195, 198, 6, 7, 8, 202, 213, 243-247, 261, 262; 24/3.12, 3.11, 11 C, 11 R, 3.5, 11 M

(56) **References Cited**

U.S. PATENT DOCUMENTS

- 1,263,327 A * 4/1918 Kristofek 40/334 X
- 2,272,674 A * 2/1942 Kehr 24/3.11
- 3,377,124 A * 4/1968 Matsumoto 401/198

- 4,285,101 A * 8/1981 Hanna 24/3.12
- D327,912 S * 7/1992 Tsai D19/51
- 5,308,178 A * 5/1994 Jiang 401/8
- D403,704 S * 1/1999 Arita D19/48
- D470,529 S * 2/2003 Tu D19/43
- D476,363 S * 6/2003 Hung D19/43

* cited by examiner

Primary Examiner—Martie K. Holtje

(74) *Attorney, Agent, or Firm*—Rabin & Berdo, P.C.

(57) **CLAIM**

The ornamental design for a marker, as shown and described.

DESCRIPTION

FIG. 1 is a perspective view of a marker showing my new design;

FIG. 2 is a front view thereof;

FIG. 3 is a rear view thereof;

FIG. 4 is a top plan view thereof;

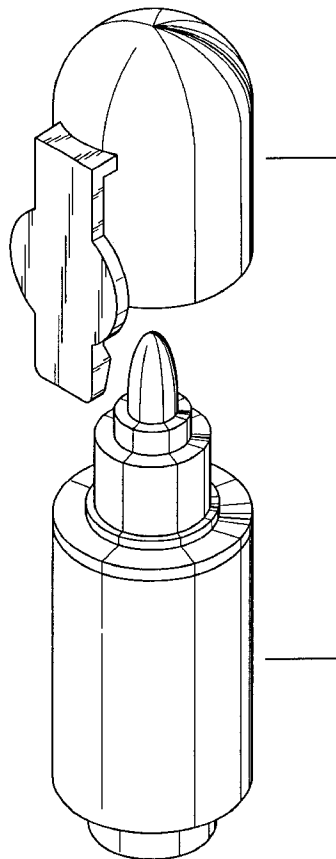
FIG. 5 is a bottom plan view thereof;

FIG. 6 is a left side view thereof;

FIG. 7 is a right side view thereof; and,

FIG. 8 is a perspective view in a separated condition.

1 Claim, 4 Drawing Sheets



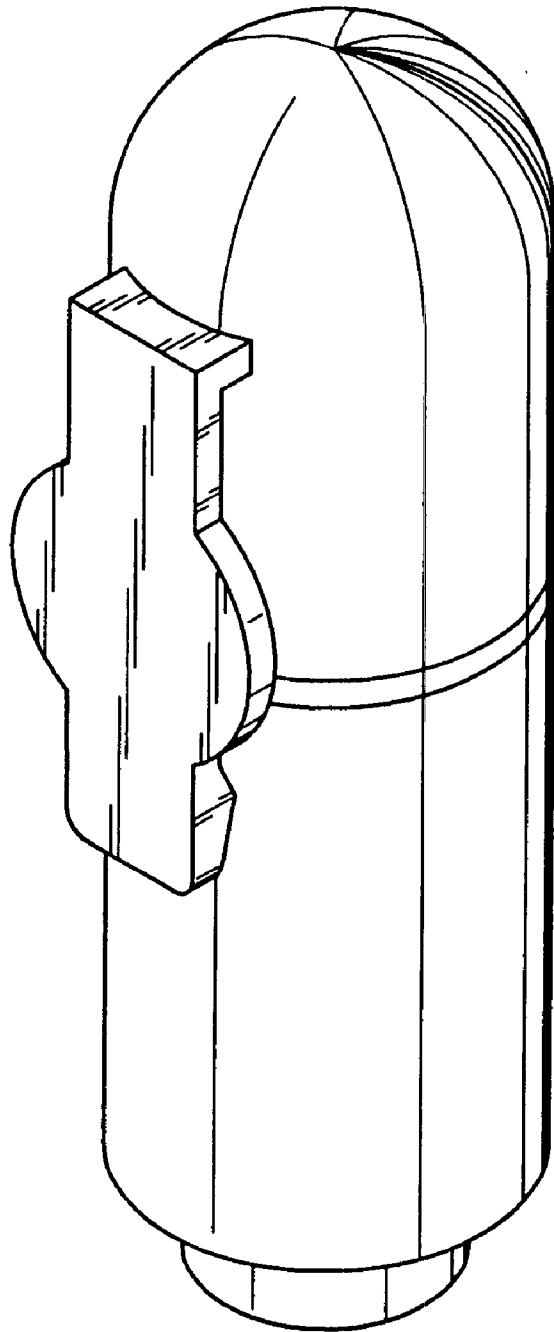


FIG. 1

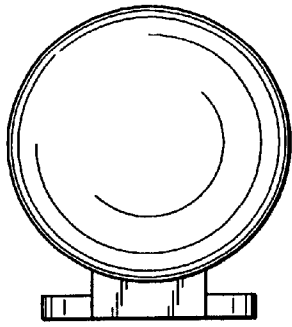


FIG. 4

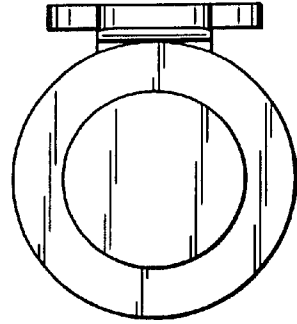


FIG. 5

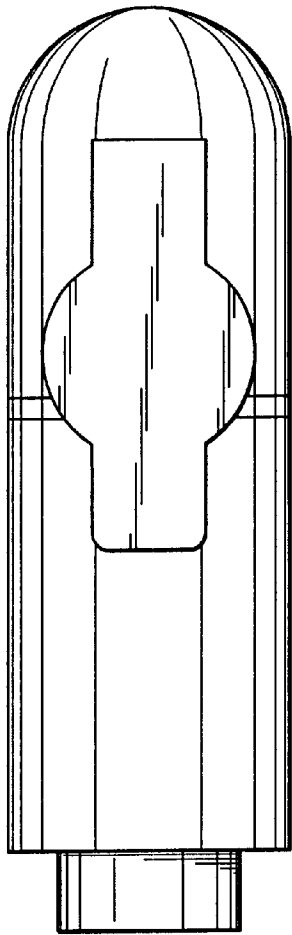


FIG. 2

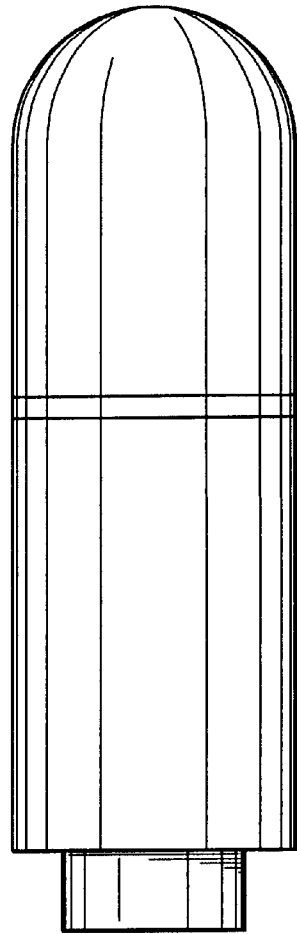


FIG. 3

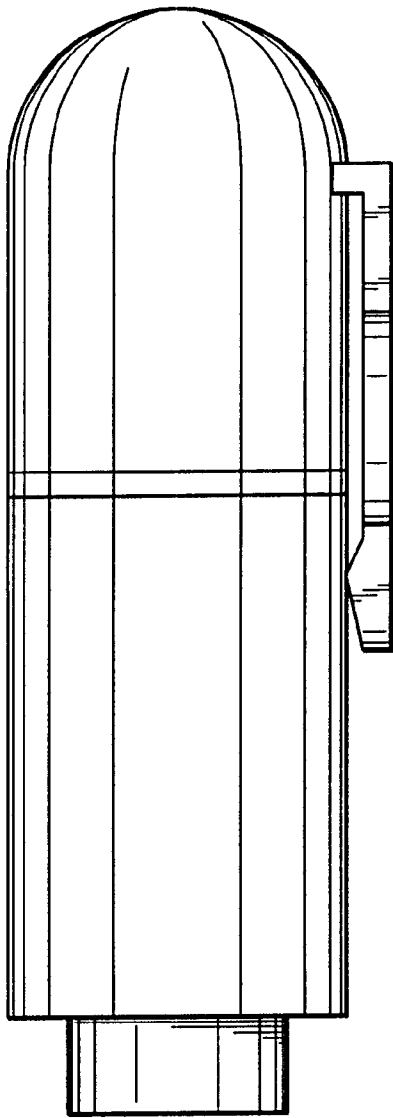


FIG. 6

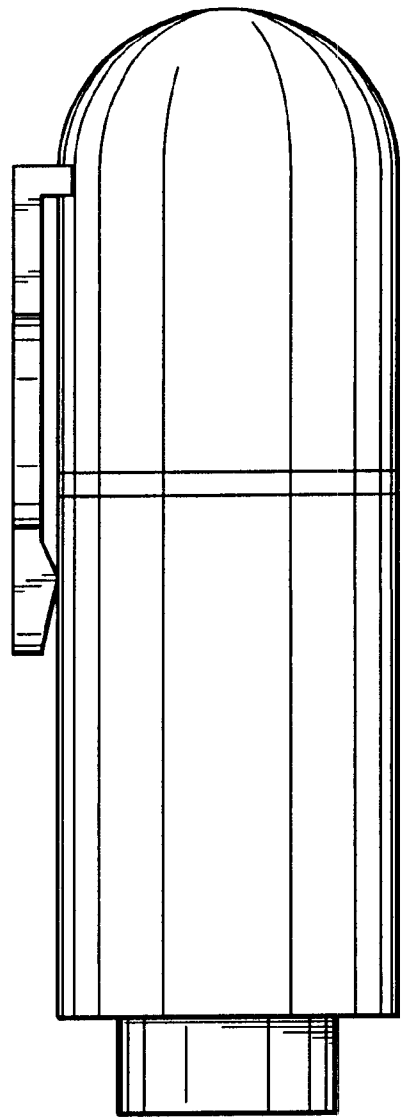


FIG. 7

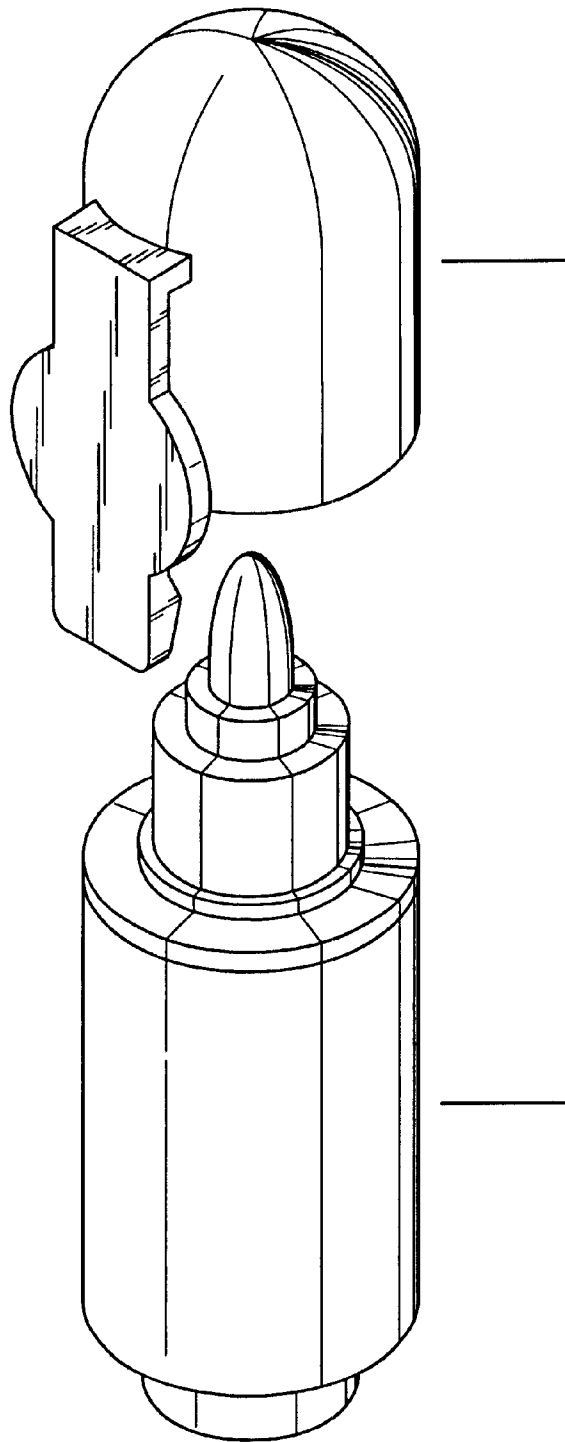


FIG. 8