

(19) World Intellectual Property
Organization
International Bureau



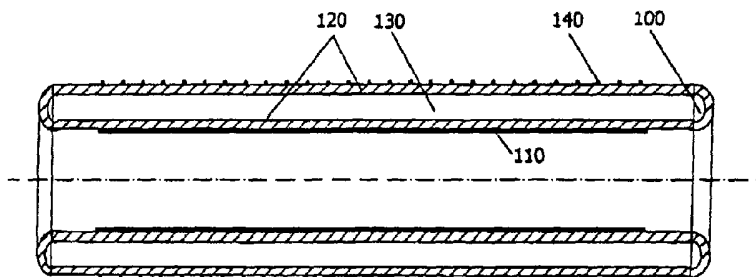
(43) International Publication Date
9 December 2004 (09.12.2004)

PCT

(10) International Publication Number
WO 2004/107478 A3

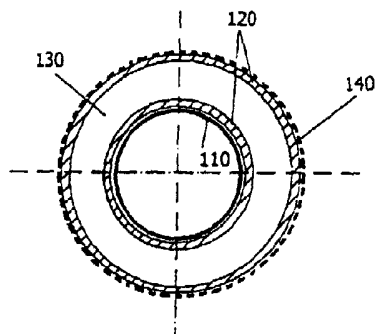
- (51) International Patent Classification⁷: **H01J 11/00**, 65/00
- (21) International Application Number: PCT/US2004/017218
- (22) International Filing Date: 28 May 2004 (28.05.2004)
- (25) Filing Language: English
- (26) Publication Language: English
- (30) Priority Data: 60/474,010 29 May 2003 (29.05.2003) US
- (71) Applicant (for all designated States except US): **USHIO AMERICA, INC.** [US/US]; 5440 Cerritos Avenue, Cypress, California 90630 (US).
- (72) Inventors; and
- (75) Inventors/Applicants (for US only): **CLAUS, Holger** [DE/US]; 5440 Cerritos Avenue, Cypress, California
- (54) Title: **NON-OXIDIZING ELECTRODE ARRANGEMENT FOR EXCIMER LAMPS**
- (74) Agent: **BLANCHE, Bradley D.**; Paul, Hastings, Janofsky & Walker LLP, P.O. Box 919092, San Diego, California 92191-9092 (US).
- (81) Designated States (unless otherwise indicated, for every kind of national protection available): AE, AG, AL, AM, AT, AU, AZ, BA, BB, BG, BR, BW, BY, BZ, CA, CH, CN, CO, CR, CU, CZ, DE, DK, DM, DZ, EC, EE, EG, ES, FI, GB, GD, GE, GH, GM, HR, HU, ID, IL, IN, IS, JP, KE, KG, KP, KR, KZ, LC, LK, LR, LS, LT, LU, LV, MA, MD, MG, MK, MN, MW, MX, MZ, NA, NI, NO, NZ, OM, PG, PH, PL, PT, RO, RU, SC, SD, SE, SG, SK, SL, SY, TJ, TM, TN, TR, TT, TZ, UA, UG, US, UZ, VC, VN, YU, ZA, ZM, ZW.
- (84) Designated States (unless otherwise indicated, for every kind of regional protection available): ARIPO (BW, GH,

[Continued on next page]



side-on view of typical co-axial DBD lamp

A



end-on view of typical co-axial DBD lamp

B

(57) Abstract: A non-oxidizing electrode arrangement for an excimer lamp that is formed by coating an electrode of the lamp with a layer of protective layer that prevents the electrode from oxidizing. The protective layer is preferably transparent and possesses a low permeability for oxygen (e.g., silicon oxide, magnesium fluoride, calcium fluoride). The interior of the excimer lamp is evacuated to a pressure level that is lower than the pressure level surrounding the excimer lamp at any time during the non-oxidizing electrode formation process in order to assist in preventing the excimer lamp from fracturing.

WO 2004/107478 A3



GM, KE, LS, MW, MZ, NA, SD, SL, SZ, TZ, UG, ZM, ZW), Eurasian (AM, AZ, BY, KG, KZ, MD, RU, TJ, TM), European (AT, BE, BG, CH, CY, CZ, DE, DK, EE, ES, FI, FR, GB, GR, HU, IE, IT, LU, MC, NL, PL, PT, RO, SE, SI, SK, TR), OAPI (BF, BJ, CF, CG, CI, CM, GA, GN, GQ, GW, ML, MR, NE, SN, TD, TG).

— *before the expiration of the time limit for amending the claims and to be republished in the event of receipt of amendments*

(88) Date of publication of the international search report:
18 August 2005

Published:

— *with international search report*

For two-letter codes and other abbreviations, refer to the "Guidance Notes on Codes and Abbreviations" appearing at the beginning of each regular issue of the PCT Gazette.

INTERNATIONAL SEARCH REPORT

International application No.

PCT/US04/17218

A. CLASSIFICATION OF SUBJECT MATTER

IPC(7) : H01J 11/00, 65/00
 US CL : 313/234, 607, 594

According to International Patent Classification (IPC) or to both national classification and IPC

B. FIELDS SEARCHED

Minimum documentation searched (classification system followed by classification symbols)
 U.S. : 313/234, 607, 594

Documentation searched other than minimum documentation to the extent that such documents are included in the fields searched
 NONE


Electronic data base consulted during the international search (name of data base and, where practicable, search terms used)
 NONE

C. DOCUMENTS CONSIDERED TO BE RELEVANT

Category *	Citation of document, with indication, where appropriate, of the relevant passages	Relevant to claim No.
X --- Y	US 4,837,484 A (ELIASSON et al) 06 June 1989 (06.06.1989), Figure 5; column 3, lines 30-35; column 6, lines 10-19.	1-8, 14, 23-30, 33 ----- 9-13, 19-22, 31, 32
X --- Y	US 5,397,259 A (ZASLAVSKY et al) 14 March 1995 (14.03.1995), Figures 2A-2D, 4; column 3, lines 44-58.	15-18 ----- 12, 13, 19-22
Y	US 2002/0117959 A1 (WINSOR) 29 August 2002 (29.08.2002), see entire document.	9-11, 31, 32
Y	US 5,849,107 A (ITOYAMA et al) 15 December 1998 (15.12.1998), column 7, lines 16-35.	10
A	US 5,581,152 A (MATSUNO et al) 03 December 1996 (03.12.1996), see entire document.	1-33
A	US 5,763,999 A (MATSUNO et al) 09 June 1998 (09.06.1998). see entire document.	1-33
A	US 6,525,451 B1 (HISHINUMA et al) 25 February 2003 (25.02.2003), see entire document.	1-33

Further documents are listed in the continuation of Box C. See patent family annex.

* Special categories of cited documents:		
"A"	document defining the general state of the art which is not considered to be of particular relevance	"T" later document published after the international filing date or priority date and not in conflict with the application but cited to understand the principle or theory underlying the invention
"E"	earlier application or patent published on or after the international filing date	"X" document of particular relevance; the claimed invention cannot be considered novel or cannot be considered to involve an inventive step when the document is taken alone
"L"	document which may throw doubts on priority claim(s) or which is cited to establish the publication date of another citation or other special reason (as specified)	"Y" document of particular relevance; the claimed invention cannot be considered to involve an inventive step when the document is combined with one or more other such documents, such combination being obvious to a person skilled in the art
"O"	document referring to an oral disclosure, use, exhibition or other means	
"P"	document published prior to the international filing date but later than the priority date claimed	"&" document member of the same patent family

Date of the actual completion of the international search 15 June 2005 (15.06.2005)	Date of mailing of the international search report 11 JUL 2005
Name and mailing address of the ISA/US Mail Stop PCT, Attn: ISA/US Commissioner for Patents P.O. Box 1450 Alexandria, Virginia 22313-1450 Facsimile No. (703) 305-3230	Authorized officer JOSE G. DEES Telephone No. (571) 272-1607 

INTERNATIONAL SEARCH REPORT

International application No.
PCT/US04/17218

C. (Continuation) DOCUMENTS CONSIDERED TO BE RELEVANT

Category *	Citation of document, with indication, where appropriate, of the relevant passages	Relevant to claim No.
A	US 5,993,278 A (FALKENSTEIN) 30 November 1999 (30.11.1999), see entire document.	1-33
A,P	US 6,634,917 B1 (KLING et al) 21 October 2003 (21.10.2003), see entire document.	1-33
A,P	US 6,633,109 B2 (FALKENSTEIN) 14 October 2003 (14.10.2003), see entire document.	1-33
A,E	US 6,747,419 B2 (CHAUS et al) 08 June 2004 (08.06.2004), see entire document.	1-33
A	US 5,343,114 A (BENEKING et al) 30 August 1994 (30.08.1994), see entire document.	1-33
A	US 5,214,344 A (KOGELSCHATZ) 25 May 1993 (25.05.1993), see entire document.	1-33