



US00D683080S

(12) **United States Design Patent**
Snow

(10) **Patent No.:** **US D683,080 S**

(45) **Date of Patent:** **** May 21, 2013**

(54) **COMBINED ANIMAL ENCLOSURE AND
FOAM HABITAT**

7,444,956 B2 * 11/2008 Vadis 119/6.5

* cited by examiner

(76) Inventor: **Edward G. Snow**, Valley Center, CA
(US)

Primary Examiner — Cathy A MacCormac
(74) *Attorney, Agent, or Firm* — Richard D. Clarke

(**) Term: **14 Years**

(57) **CLAIM**

(21) Appl. No.: **29/408,004**

I claim the ornamental design for, a combined animal enclosure and foam habitat, as shown and described.

(22) Filed: **Dec. 6, 2011**

DESCRIPTION

(51) **LOC (9) Cl.** **30-02**

(52) **U.S. Cl.**

USPC **D30/108**

(58) **Field of Classification Search** D30/108–112;
119/605, 416, 482, 706

See application file for complete search history.

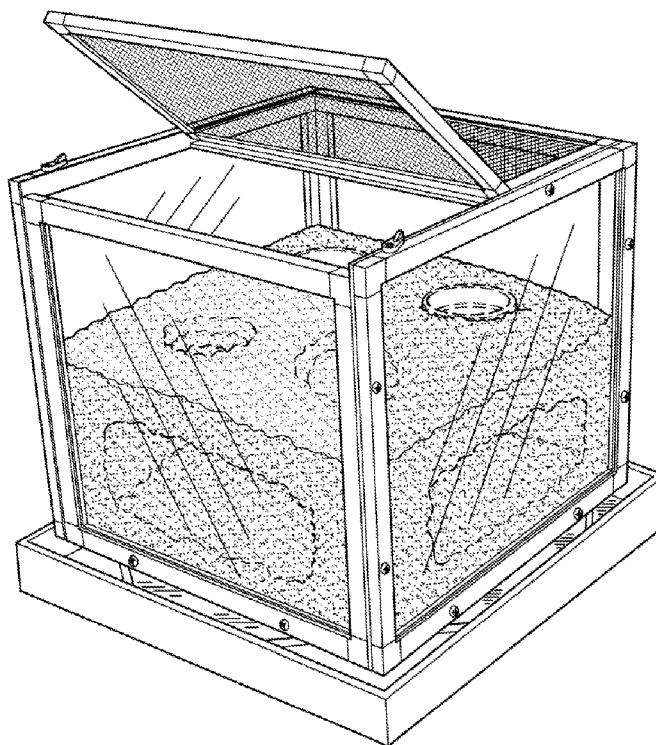
(56) **References Cited**

U.S. PATENT DOCUMENTS

4,576,115	A	*	3/1986	Gordon	119/265
D293,945	S	*	1/1988	Grant	D30/114
5,010,845	A	*	4/1991	Azpuru et al.	119/452
5,135,400	A	*	8/1992	Ramey	119/482
D338,743	S	*	8/1993	Tharp	D30/109
D347,913	S	*	6/1994	Wellington et al.	D30/108
5,404,839	A	*	4/1995	Mancuso	119/246
5,577,464	A	*	11/1996	Wellington et al.	119/482
5,794,567	A	*	8/1998	Itzhak	119/416
5,832,876	A	*	11/1998	Brown et al.	119/706
5,855,187	A	*	1/1999	Tominaga	119/6.5
6,349,675	B1	*	2/2002	Thrun	119/265
D566,343	S	*	4/2008	Osada et al.	D30/108

FIG. 1 is a top front and right side perspective view of the combined animal enclosure and foam habitat;
 FIG. 2 is a top plan view of the combined animal enclosure and foam habitat;
 FIG. 3 is a front view of the; combined animal enclosure and foam habitat;
 FIG. 4 is a right side elevation view of the; combined animal enclosure and foam habitat;
 FIG. 5 is a bottom view of the combined animal enclosure and foam habitat;
 FIG. 6 is a rear view of the combined animal enclosure and foam habitat;
 FIG. 7 is a left side elevation view of the combined animal enclosure and foam habitat; and,
 FIG. 8 is a bottom view of the combined animal enclosure and foam habitat with the lower tray removed exposing the bottom surface of the combined animal enclosure and foam habitat.

1 Claim, 5 Drawing Sheets



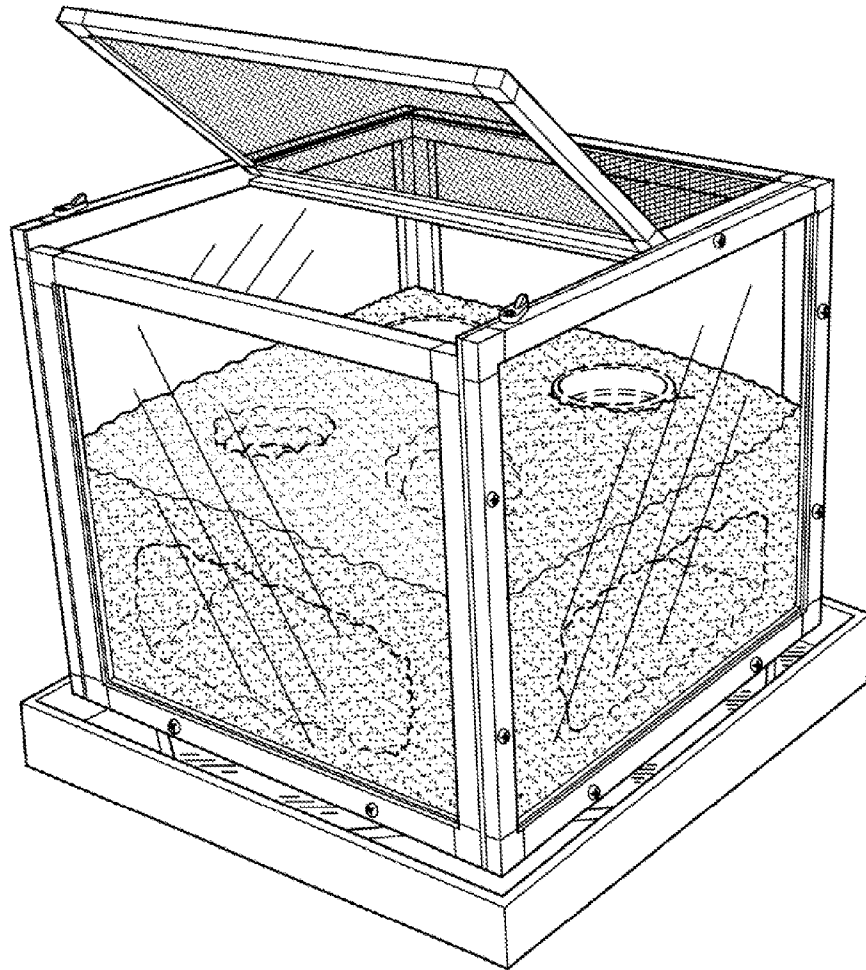


FIG. 1

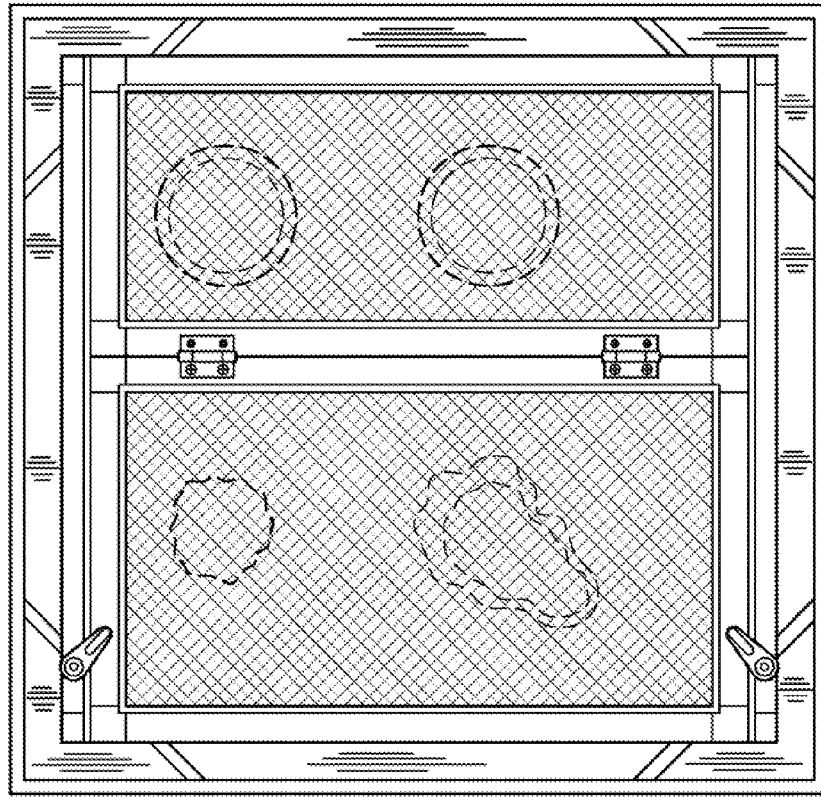


FIG. 2

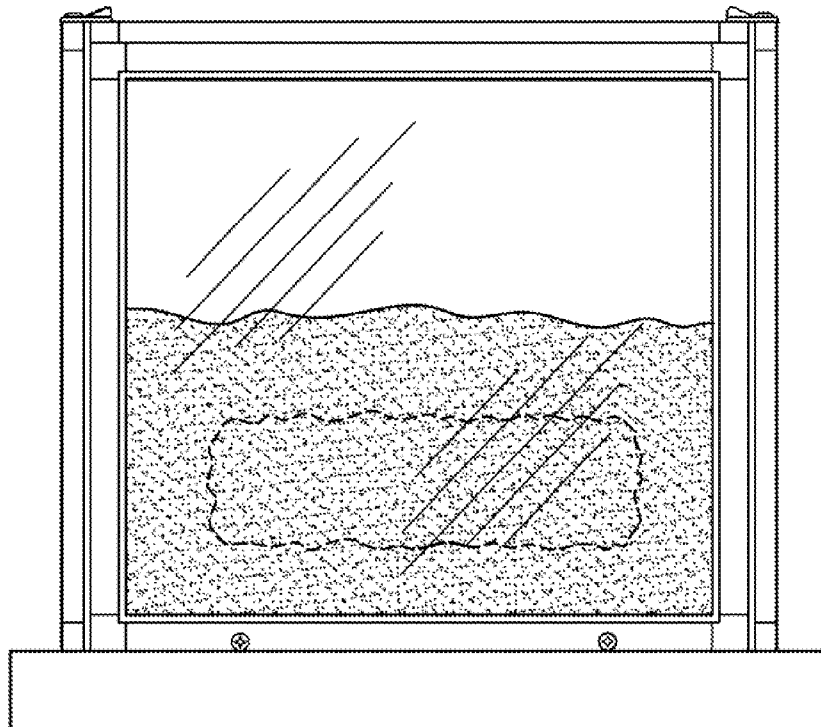


FIG. 3

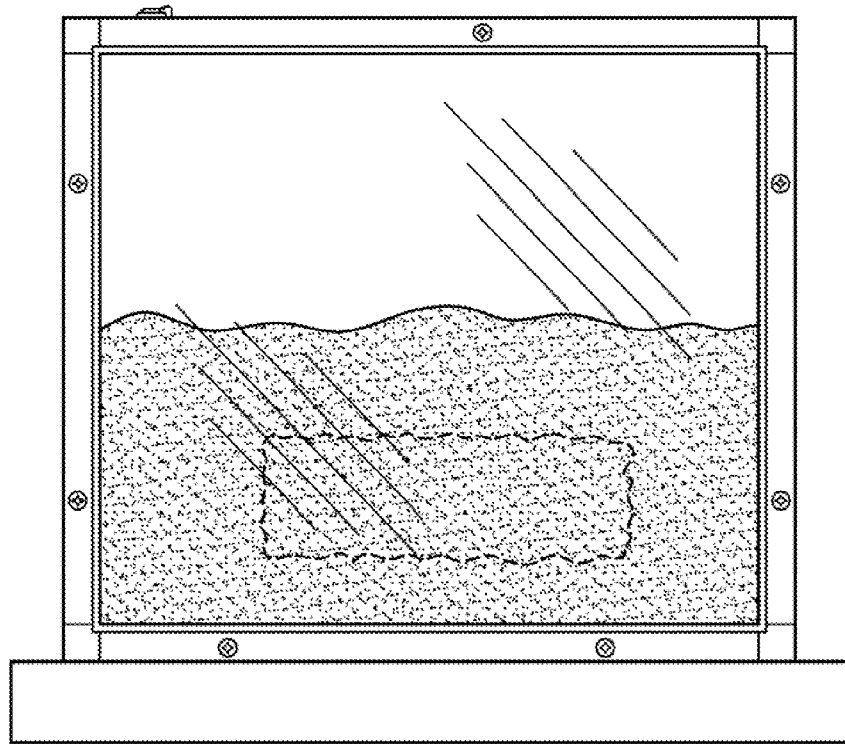


FIG. 4

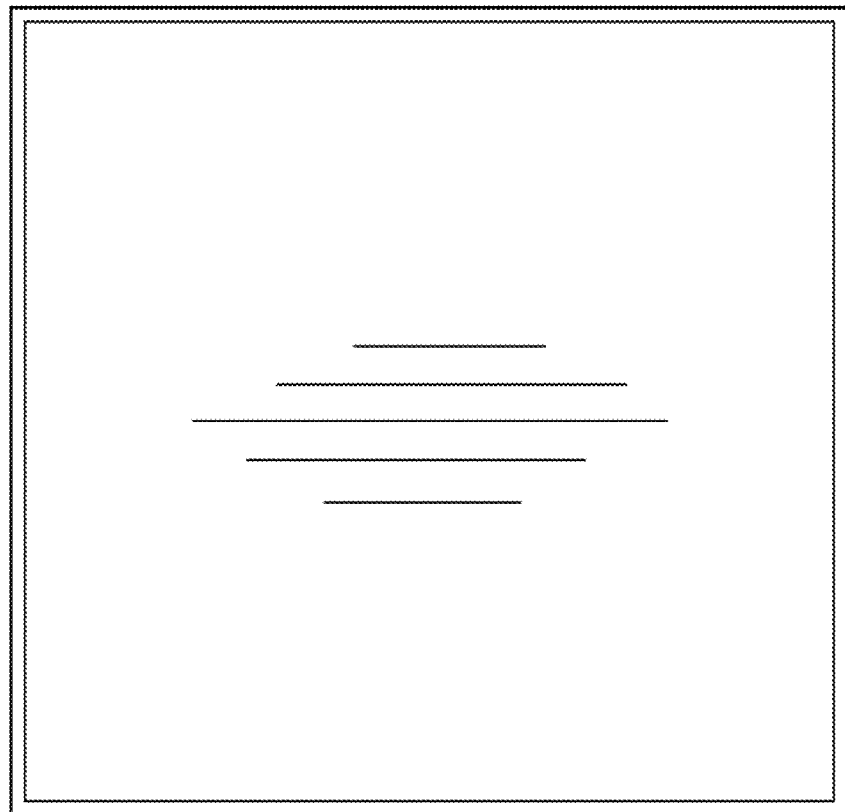


FIG. 5

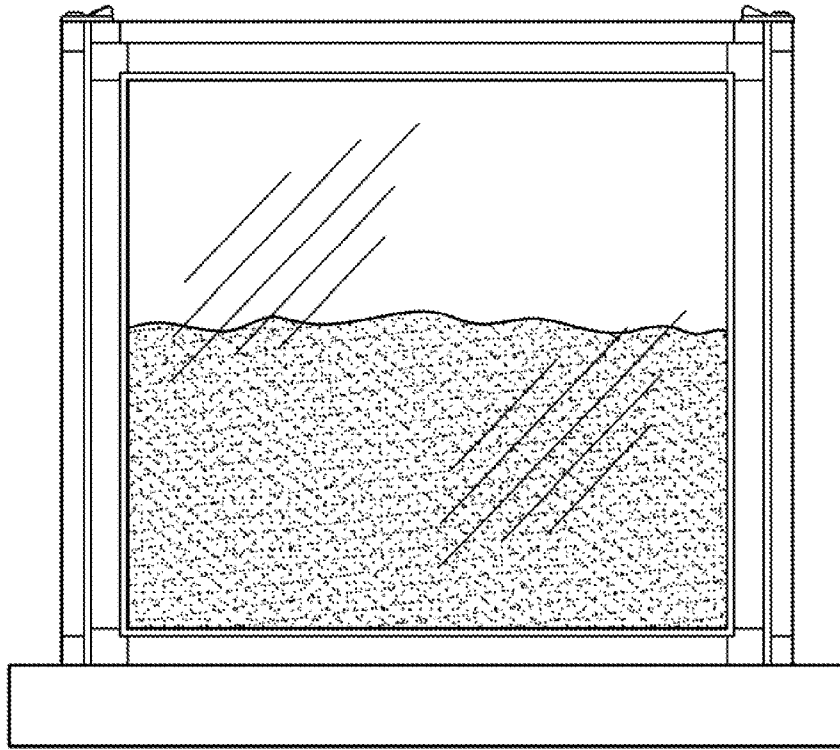


FIG. 6

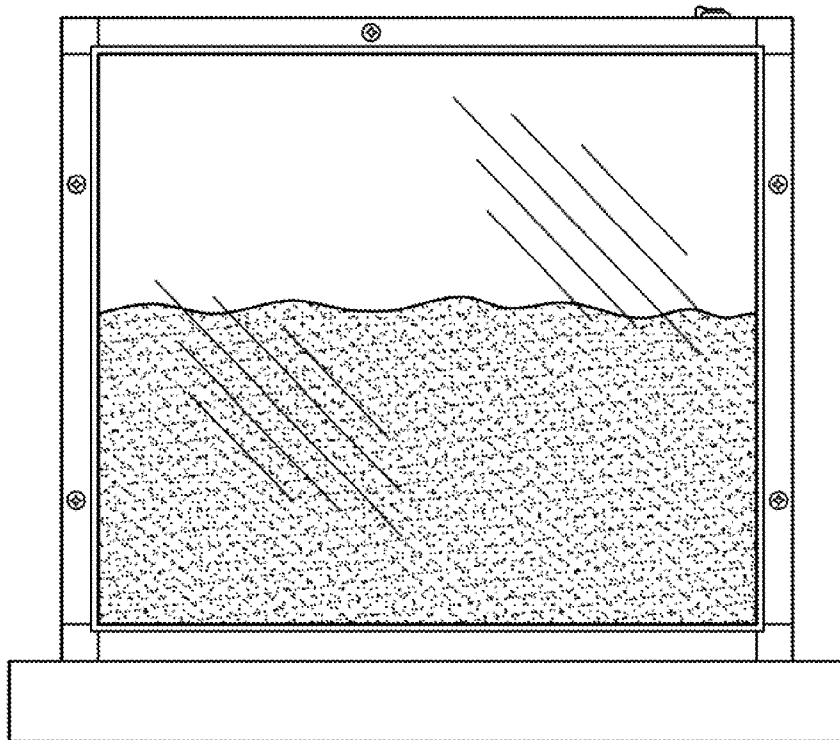


FIG. 7

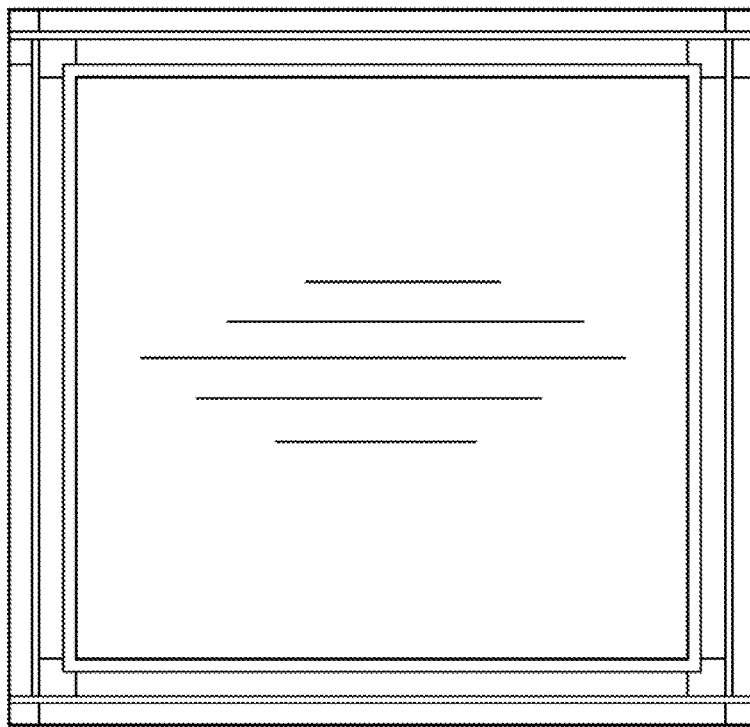


FIG. 8