

(19) World Intellectual Property Organization
International Bureau



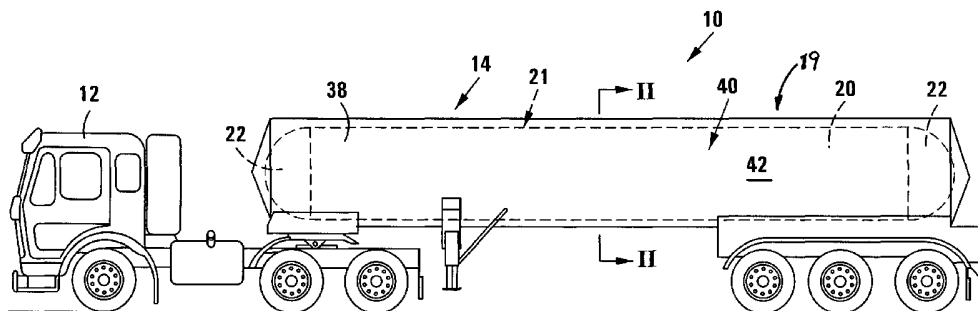
(43) International Publication Date
22 August 2002 (22.08.2002)

PCT

(10) International Publication Number
WO 02/065015 A3

- (51) International Patent Classification⁷: F17C 1/00
- (21) International Application Number: PCT/IB02/00427
- (22) International Filing Date: 13 February 2002 (13.02.2002)
- (25) Filing Language: English
- (26) Publication Language: English
- (30) Priority Data:
2001/1227 13 February 2001 (13.02.2001) ZA
- (71) Applicant (for all designated States except US):
AFRICAN OXYGEN LIMITED [ZA/ZA]; 23 Webber Street, Selby, Gauteng, 2000 Johannesburg (ZA).
- (72) Inventors; and
- (75) Inventors/Applicants (for US only): PYE, Graham, Christopher [ZA/ZA]; 13 Windward Isles, Ruby Street, Goedeburg, 1501 Benoni (ZA). CARROLL, Donegal, Harold, Victor [ZA/ZA]; 211 Zinnia Road, 1685 Kyalami (ZA).
- (74) Agent: LEWIS, Alan; Adams & Adams (Johannesburg Office), 3rd Floor, 23 Wellington Road, Parktown, 2193 Johannesburg (ZA).
- (81) Designated States (national): AE, AG, AL, AM, AT, AU, AZ, BA, BB, BG, BR, BY, BZ, CA, CH, CN, CO, CR, CU, CZ, DE, DK, DM, DZ, EC, EE, ES, FI, GB, GD, GE, GH, GM, HR, HU, ID, IL, IN, IS, JP, KE, KG, KP, KR, KZ, LC, LK, LR, LS, LT, LU, LV, MA, MD, MG, MK, MN, MW, MX, MZ, NO, NZ, OM, PH, PL, PT, RO, RU, SD, SE, SG, SI, SK, SL, TJ, TM, TN, TR, TT, TZ, UA, UG, US, UZ, VN, YU, ZA, ZM, ZW.
- (84) Designated States (regional): ARIPO patent (GH, GM, KE, LS, MW, MZ, SD, SL, SZ, TZ, UG, ZM, ZW), Eurasian patent (AM, AZ, BY, KG, KZ, MD, RU, TJ, TM), European patent (AT, BE, CH, CY, DE, DK, ES, FI, FR, GB, GR, IE, IT, LU, MC, NL, PT, SE, TR), OAPI patent (BF, BJ, CF, CG, CI, CM, GA, GN, GQ, GW, ML, MR, NE, SN, TD, TG).
- Published:
— with international search report
- (88) Date of publication of the international search report:
5 June 2003
- For two-letter codes and other abbreviations, refer to the "Guidance Notes on Codes and Abbreviations" appearing at the beginning of each regular issue of the PCT Gazette.

(54) Title: TRANSPORTATION OF LIQUEFIABLE PETROLEUM GAS



(57) Abstract: A pressure vessel for transportation of liquefiable petroleum gas (LPG) is cylindrical with a circular cross-sectional profile. The wall thickness of the vessel (in meters) multiplied by a design strength of the material from which the vessel is made (in megapascals) is less than 0,8 times the internal diameter of the vessel (in meters). The design strength is the yield strength divided by 1,5 or the tensile strength divided by 2,5. The wall thickness is between 3 mm and 11 mm. The diameter is between 1 and 2,6 m. The vessel have have an external insulating and fire resistant cladding. It may also have a cooling plant for cooling the LPG.



WO 02/065015 A3

INTERNATIONAL SEARCH REPORT

International Application No
PCT/IB 02/00427

A. CLASSIFICATION OF SUBJECT MATTER IPC 7 F17C1/00				
According to International Patent Classification (IPC) or to both national classification and IPC				
B. FIELDS SEARCHED				
Minimum documentation searched (classification system followed by classification symbols) IPC 7 F17C				
Documentation searched other than minimum documentation to the extent that such documents are included in the fields searched				
Electronic data base consulted during the international search (name of data base and, where practical, search terms used) EPO-Internal, WPI Data				
C. DOCUMENTS CONSIDERED TO BE RELEVANT				
Category °	Citation of document, with indication, where appropriate, of the relevant passages	Relevant to claim No.		
X	US 6 012 598 A (ANTONIOU ARIS) 11 January 2000 (2000-01-11) column 1, line 28-38 column 2, line 19-24, 59-64 column 3, line 18, 19, 23 column 4, line 17, 38-40, 67 column 6, line 31, 42, 66, 67 ---	1-6, 8, 9, 12-14		
A	US 2 970 559 A (RENE LEROUX) 7 February 1961 (1961-02-07) column 5, line 22, 42-60 ---	1-16		
A	US 2 280 501 A (ARTHUR STEPHENSON) 21 April 1942 (1942-04-21) column 1, line 3, 4, 49-55 column 2, line 1-8 ---	1-16		
--- -/--				
<input checked="" type="checkbox"/> Further documents are listed in the continuation of box C.				
<input checked="" type="checkbox"/> Patent family members are listed in annex.				
° Special categories of cited documents :				
<table style="width: 100%; border: none;"> <tr> <td style="width: 50%; border: none; vertical-align: top;"> *A* document defining the general state of the art which is not considered to be of particular relevance *E* earlier document but published on or after the international filing date *L* document which may throw doubts on priority claim(s) or which is cited to establish the publication date of another citation or other special reason (as specified) *O* document referring to an oral disclosure, use, exhibition or other means *P* document published prior to the international filing date but later than the priority date claimed </td> <td style="width: 50%; border: none; vertical-align: top;"> *T* later document published after the international filing date or priority date and not in conflict with the application but cited to understand the principle or theory underlying the invention *X* document of particular relevance; the claimed invention cannot be considered novel or cannot be considered to involve an inventive step when the document is taken alone *Y* document of particular relevance; the claimed invention cannot be considered to involve an inventive step when the document is combined with one or more other such documents, such combination being obvious to a person skilled in the art. *&* document member of the same patent family </td> </tr> </table>			*A* document defining the general state of the art which is not considered to be of particular relevance *E* earlier document but published on or after the international filing date *L* document which may throw doubts on priority claim(s) or which is cited to establish the publication date of another citation or other special reason (as specified) *O* document referring to an oral disclosure, use, exhibition or other means *P* document published prior to the international filing date but later than the priority date claimed	*T* later document published after the international filing date or priority date and not in conflict with the application but cited to understand the principle or theory underlying the invention *X* document of particular relevance; the claimed invention cannot be considered novel or cannot be considered to involve an inventive step when the document is taken alone *Y* document of particular relevance; the claimed invention cannot be considered to involve an inventive step when the document is combined with one or more other such documents, such combination being obvious to a person skilled in the art. *&* document member of the same patent family
A document defining the general state of the art which is not considered to be of particular relevance *E* earlier document but published on or after the international filing date *L* document which may throw doubts on priority claim(s) or which is cited to establish the publication date of another citation or other special reason (as specified) *O* document referring to an oral disclosure, use, exhibition or other means *P* document published prior to the international filing date but later than the priority date claimed	*T* later document published after the international filing date or priority date and not in conflict with the application but cited to understand the principle or theory underlying the invention *X* document of particular relevance; the claimed invention cannot be considered novel or cannot be considered to involve an inventive step when the document is taken alone *Y* document of particular relevance; the claimed invention cannot be considered to involve an inventive step when the document is combined with one or more other such documents, such combination being obvious to a person skilled in the art. *&* document member of the same patent family			
Date of the actual completion of the international search <p style="text-align: center; font-size: 1.2em;">30 January 2003</p>		Date of mailing of the international search report <p style="text-align: center; font-size: 1.2em;">11/02/2003</p>		
Name and mailing address of the ISA European Patent Office, P.B. 5818 Patentlaan 2 NL - 2280 HV Rijswijk Tel. (+31-70) 340-2040, Tx. 31 651 epo nl, Fax: (+31-70) 340-3016		Authorized officer <p style="text-align: center; font-size: 1.2em;">Ott, T</p>		

INTERNATIONAL SEARCH REPORT

International Application No
PCT/IB 02/00427

C.(Continuation) DOCUMENTS CONSIDERED TO BE RELEVANT		
Category °	Citation of document, with indication, where appropriate, of the relevant passages	Relevant to claim No.
A	US 4 772 337 A (KESTEN MARTIN) 20 September 1988 (1988-09-20) column 3, line 11-21 ----	1-16
A	US 6 085 528 A (FAIRCHILD DOUGLAS P ET AL) 11 July 2000 (2000-07-11) column 7, line 28-31 ----	1-16
A	US 2 991 900 A (POORMAN RICHARD M) 11 July 1961 (1961-07-11) column 2, line 18-20 column 3, line 29,44 -----	1-16

INTERNATIONAL SEARCH REPORT

Information on patent family members

International Application No

PCT/IB 02/00427

Patent document cited in search report		Publication date	Patent family member(s)	Publication date
US 6012598	A	11-01-2000	NONE	
US 2970559	A	07-02-1961	BE 571628 A DE 1096232 B FR 1183634 A GB 830570 A	15-10-1958 29-12-1960 09-07-1959 16-03-1960
US 2280501	A	21-04-1942	GB 518618 A BE 436056 A FR 858986 A GB 518661 A	04-03-1940 21-08-1939 07-12-1940 04-03-1940
US 4772337	A	20-09-1988	DE 3614290 A1 AT 75641 T EP 0243663 A2 JP 62278249 A	29-10-1987 15-05-1992 04-11-1987 03-12-1987
US 6085528	A	11-07-2000	AT 907498 A AT 409270 B AT 907698 A AU 734121 B2 AU 7978298 A AU 738861 B2 AU 7978798 A AU 733528 B2 AU 7978898 A AU 734119 B2 AU 8151398 A AU 733606 B2 AU 8152298 A AU 733821 B2 AU 8152498 A AU 739054 B2 AU 8152598 A AU 732004 B2 AU 8259898 A BG 103996 A BG 103998 A BG 104000 A BG 104001 A BG 104002 A BR 9810056 A BR 9810066 A BR 9810198 A BR 9810200 A BR 9810201 A BR 9810203 A BR 9810212 A BR 9810221 A CN 1261429 T CN 1261430 T CN 1261299 T CN 1261951 T CN 1261952 T CN 1261924 T CN 1270639 T CN 1261925 T DE 19882478 T0	15-09-2002 25-07-2002 15-11-2001 07-06-2001 04-01-1999 27-09-2001 04-01-1999 17-05-2001 04-01-1999 07-06-2001 04-01-1999 17-05-2001 04-01-1999 24-05-2001 04-01-1999 04-10-2001 04-01-1999 12-04-2001 04-01-1999 29-12-2000 29-12-2000 29-12-2000 29-12-2000 12-09-2000 26-09-2000 29-08-2000 08-08-2000 12-09-2000 05-09-2000 08-08-2000 08-08-2000 26-07-2000 26-07-2000 26-07-2000 02-08-2000 02-08-2000 02-08-2000 18-10-2000 02-08-2000 15-06-2000

INTERNATIONAL SEARCH REPORT

Information on patent family members

International Application No
PCT/IB 02/00427

Patent document cited in search report	Publication date	Patent family member(s)	Publication date
US 6085528	A	DE 19882479 T0	09-08-2001
		DE 19882480 T0	21-06-2000
		DE 19882481 T0	07-09-2000
		DE 19882488 T0	03-08-2000
		DE 19882491 T0	27-07-2000
		DE 19882492 T0	31-05-2000
		DE 19882495 T0	20-07-2000
		DK 179899 A	18-02-2000
US 2991900	A	11-07-1961 FR 1236913 A	22-07-1960