

(19) World Intellectual Property  
Organization  
International Bureau



(43) International Publication Date  
27 November 2003 (27.11.2003)

PCT

(10) International Publication Number  
**WO 2003/096880 A3**

(51) International Patent Classification<sup>7</sup>: **A61B 18/18**

(21) International Application Number:  
PCT/US2003/015340

(22) International Filing Date: 15 May 2003 (15.05.2003)

(25) Filing Language: English

(26) Publication Language: English

(30) Priority Data:  
10/147,373 16 May 2002 (16.05.2002) US

(63) Related by continuation (CON) or continuation-in-part (CIP) to earlier application:  
US 10/147,373 (CIP)  
Filed on 16 May 2002 (16.05.2002)

(71) Applicant (for all designated States except US): **TIS-SUELINK MEDICAL, INC.** [US/US]; Suite 400, One Washington Center, Dover, NH 03820 (US).

(72) Inventors; and

(75) Inventors/Applicants (for US only): **MCCLURKEN,**

**Michael, E.** [US/US]; 26 Deer Meadow Road, Durham, NH 03824 (US). **LIPSON, David** [US/US]; 131 Pheasant Brook Road, North Andover, MA 01845 (US). **OYOLA, Arnold, E.** [US/US]; 49 Nottingham Road, Raymond, NH 03077 (US). **FLANAGAN, David, J.** [US/US]; 25 Lily Pond Road, Somersworth, NH 03878 (US).

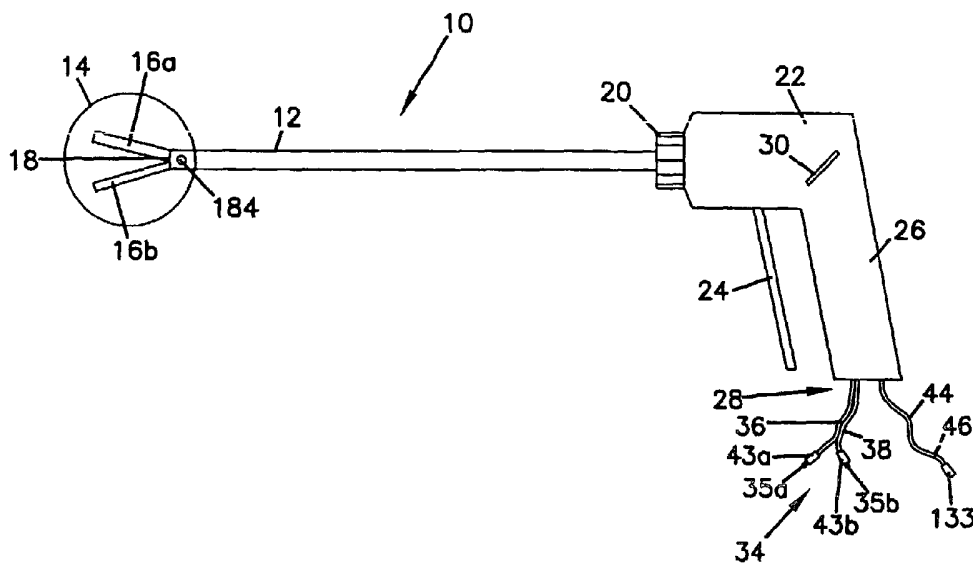
(74) Agent: **DAIGNAULT, Ronald, A.**; Merchant & Gould P.C., P.O. Box 2903, Minneapolis, MN 55402-0903 (US).

(81) Designated States (national): AE, AG, AL, AM, AT (utility model), AT, AU, AZ, BA, BB, BG, BR, BY, BZ, CA, CH, CN, CO, CR, CU, CZ (utility model), CZ, DE (utility model), DE, DK (utility model), DK, DM, DZ, EC, EE (utility model), EE, ES, FI (utility model), FI, GB, GD, GE, GH, GM, HR, HU, ID, IL, IN, IS, JP, KE, KG, KP, KR, KZ, LC, LK, LR, LS, LT, LU, LV, MA, MD, MG, MK, MN, MW, MX, MZ, NO, NZ, OM, PH, PL, PT, RO, RU, SC, SD, SE, SG, SK (utility model), SK, SL, TJ, TM, TN, TR, TT, TZ, UA, UG, US, UZ, VC, VN, YU, ZA, ZM, ZW.

(84) Designated States (regional): ARIPO patent (GH, GM, KE, LS, MW, MZ, SD, SL, SZ, TZ, UG, ZM, ZW), Eurasian patent (AM, AZ, BY, KG, KZ, MD, RU, TJ, TM), European patent (AT, BE, BG, CH, CY, CZ, DE, DK, EE,

[Continued on next page]

(54) Title: FLUID-ASSISTED MEDICAL DEVICES, SYSTEMS AND METHODS



(57) Abstract: A surgical device comprises a tip portion (14) including first and second jaws (16a, 16b) each having a tissue grasping surface, at least one of the jaws being movable toward the other. The tissue grasping surface of each jaw includes an electrically insulative surface. The device also includes first and second electrodes connectable to an RF generator. One of the electrode surfaces is located on one of the jaws separated from one edge of the tissue grasping surface, and the other of the electrode surfaces is located on one or the other of the jaws separated from the other edge of the tissue grasping surface. The device also includes at least one fluid passage.

WO 2003/096880 A3



ES, FI, FR, GB, GR, HU, IE, IT, LU, MC, NL, PT, RO,  
SE, SI, SK, TR), OAPI patent (BF, BJ, CF, CG, CI, CM,  
GA, GN, GQ, GW, ML, MR, NE, SN, TD, TG).

(88) Date of publication of the international search report:  
22 January 2004

**Published:**

- with international search report
- before the expiration of the time limit for amending the claims and to be republished in the event of receipt of amendments

*For two-letter codes and other abbreviations, refer to the "Guidance Notes on Codes and Abbreviations" appearing at the beginning of each regular issue of the PCT Gazette.*

# INTERNATIONAL SEARCH REPORT

International application No.

PCT/US03/15340

**A. CLASSIFICATION OF SUBJECT MATTER**

IPC(7) : A61B 18/18  
 US CL : 606/51

According to International Patent Classification (IPC) or to both national classification and IPC

**B. FIELDS SEARCHED**

Minimum documentation searched (classification system followed by classification symbols)  
 U.S. : 606/34, 41, 45-52; 607/101-104

Documentation searched other than minimum documentation to the extent that such documents are included in the fields searched

Electronic data base consulted during the international search (name of data base and, where practicable, search terms used)

**C. DOCUMENTS CONSIDERED TO BE RELEVANT**

Category *	Citation of document, with indication, where appropriate, of the relevant passages	Relevant to claim No.
X	US 5,456,684 A (Schmidt et al) 10 October 1995, whole document	1-5, 13,16,32-40,45-50
---		-----
Y		14,15,41-43,51-58
X	US 6,113,596 A (Hooven et al) 5 September 2000, whole document	63,65-67
---		-----
Y		59-62,64
Y	US 6,059,781 A (Yamanashi et al) 9 May 2000, column 5	59-62,64
Y	US 5,810,811 A (Yates et al) 22 September 1998, whole document	1-5,13-16,32-58
Y	US 5,217,460 A (Knoepfler) 8 June 1993, Figs 4-7	17-31
A	US 6,074,389 A (Levine et al) 13 June 2000, whole document	1-58
A	US 6,174,309 B1 (Wrublewski et al) 16 January 2001, whole document	59-67

Further documents are listed in the continuation of Box C.

See patent family annex.

\* Special categories of cited documents:

"A" document defining the general state of the art which is not considered to be of particular relevance

"E" earlier application or patent published on or after the international filing date

"L" document which may throw doubts on priority claim(s) or which is cited to establish the publication date of another citation or other special reason (as specified)

"O" document referring to an oral disclosure, use, exhibition or other means

"P" document published prior to the international filing date but later than the priority date claimed

"T"

later document published after the international filing date or priority date and not in conflict with the application but cited to understand the principle or theory underlying the invention

"X"

document of particular relevance; the claimed invention cannot be considered novel or cannot be considered to involve an inventive step when the document is taken alone

"Y"

document of particular relevance; the claimed invention cannot be considered to involve an inventive step when the document is combined with one or more other such documents, such combination being obvious to a person skilled in the art

"&"

document member of the same patent family

Date of the actual completion of the international search

16 July 2003 (16.07.2003)

Date of mailing of the international search report

12 NOV 2003

Name and mailing address of the ISA/US

Mail Stop PCT, Attn: ISA/US  
 Commissioner for Patents  
 P.O. Box 1450  
 Alexandria, Virginia 22313-1450

Facsimile No. (703)305-3230

Authorized officer

Linda Dvorak

Telephone No. (703) 308-0858

# INTERNATIONAL SEARCH REPORT

International application No.

PCT/US03/15340

## Box I Observations where certain claims were found unsearchable (Continuation of Item 1 of first sheet)

This international report has not been established in respect of certain claims under Article 17(2)(a) for the following reasons:

1.  Claim Nos.:  
because they relate to subject matter not required to be searched by this Authority, namely:
  
2.  Claim Nos.:  
because they relate to parts of the international application that do not comply with the prescribed requirements to such an extent that no meaningful international search can be carried out, specifically:
  
3.  Claim Nos.: 6-12  
because they are dependent claims and are not drafted in accordance with the second and third sentences of Rule 6.4(a).

## Box II Observations where unity of invention is lacking (Continuation of Item 2 of first sheet)

This International Searching Authority found multiple inventions in this international application, as follows:

1.  As all required additional search fees were timely paid by the applicant, this international search report covers all searchable claims.
  2.  As all searchable claims could be searched without effort justifying an additional fee, this Authority did not invite payment of any additional fee.
  3.  As only some of the required additional search fees were timely paid by the applicant, this international search report covers only those claims for which fees were paid, specifically claims Nos.:
  
  4.  No required additional search fees were timely paid by the applicant. Consequently, this international search report is restricted to the invention first mentioned in the claims; it is covered by claims Nos.:
- Remark on Protest  The additional search fees were accompanied by the applicant's protest.  
 No protest accompanied the payment of additional search fees.