



US00D534760S

(12) **United States Design Patent**  
**Patterson et al.**

(10) **Patent No.:** **US D534,760 S**

(45) **Date of Patent:** **\*\* Jan. 9, 2007**

(54) **FOOD WASTE DISPOSER TRIM SHELL**

(75) Inventors: **James Robert Patterson**, Oak Creek, WI (US); **Thomas M. Garza, Sr.**, Milwaukee, WI (US); **Scott W Anderson**, Racine, WI (US); **David MacNair**, Libertyville, WI (US); **Joshua P Malik**, Racine, WI (US); **Eric Joseph Schultz**, Thiensville, WI (US); **James Douglas Wilson**, Norwood, MA (US); **Kevin Robert Young**, South Boston, MA (US); **Jo Frances Wollschlaeger**, Portland, OR (US)

(73) Assignee: **Emerson Electric Co.**, St. Louis, MO (US)

(\*\*) Term: **14 Years**

(21) Appl. No.: **29/245,756**

(22) Filed: **Dec. 27, 2005**

(51) **LOC (8) Cl.** ..... **31-00**

(52) **U.S. Cl.** ..... **D7/375**

(58) **Field of Classification Search** ..... D7/375,  
D7/372-374, 378-379, 384, 678; 241/36,  
241/37.5, 92, 169.1, 199.12, 282.1; 210/532.1,  
210/539-540; 4/629, DIG. 4  
See application file for complete search history.

(56) **References Cited**

**U.S. PATENT DOCUMENTS**

D194,128 S	*	11/1962	Hawkins	.....	D7/375
3,801,998 A	*	4/1974	Macias	.....	4/629
4,761,235 A	*	8/1988	Haentjens	.....	210/532.1
D426,421 S		6/2000	Hirsch et al.	.....	D7/375
D430,987 S		9/2000	Brandel et al.	.....	D7/375
D431,153 S		9/2000	Brandel et al.	.....	D7/375
D431,752 S		10/2000	Brandel et al.	.....	D7/375

D444,668 S	*	7/2001	Leung	.....	D7/372
D451,755 S		12/2001	Brandel et al.	.....	D7/375
D452,110 S		12/2001	Brandel et al.	.....	D7/375
D455,603 S		4/2002	Brandel et al.	.....	D7/375
D455,604 S	*	4/2002	Brandel et al.	.....	D7/375

**OTHER PUBLICATIONS**

U.S. Appl. No. 29/245,750, Patterson et al., filed Dec. 27, 2005.  
U.S. Appl. No. 29/245,751, Patterson et al., filed Dec. 27, 2005.  
U.S. Appl. No. 29/245,755, Patterson et al., filed Dec. 27, 2005.  
U.S. Appl. No. 29/245,759, Patterson et al., filed Dec. 27, 2005.

\* cited by examiner

*Primary Examiner*—Catherine R. Oliver

(74) *Attorney, Agent, or Firm*—Locke Liddell & Sapp LLP

(57) **CLAIM**

The ornamental design for a food waste disposer trim shell, as shown and described.

**DESCRIPTION**

FIG. 1 is a perspective view of the food waste disposer trim shell.

FIG. 2 is a front view.

FIG. 3 is a rear view.

FIG. 4 a side view.

FIG. 5 is a side view showing the side opposite that shown in FIG. 4.

FIG. 6 is a top view; and,

FIG. 7 is a bottom view.

The broken line showing of environment in the drawings is included for the purpose of illustrating only and forms no part of the claimed design.

**1 Claim, 2 Drawing Sheets**

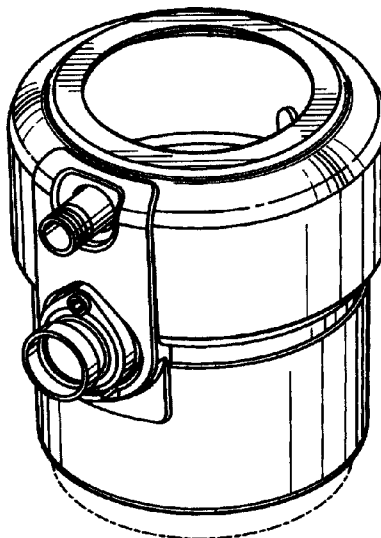


FIG. 1

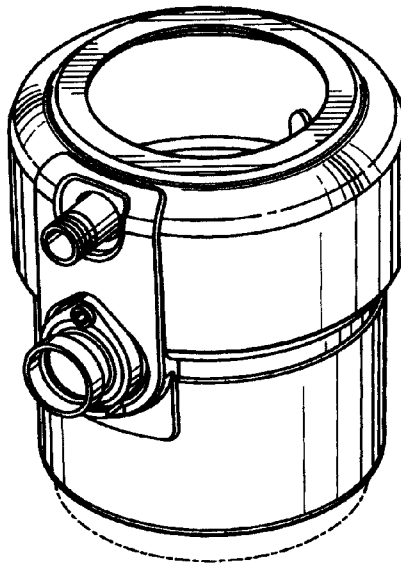


FIG. 2

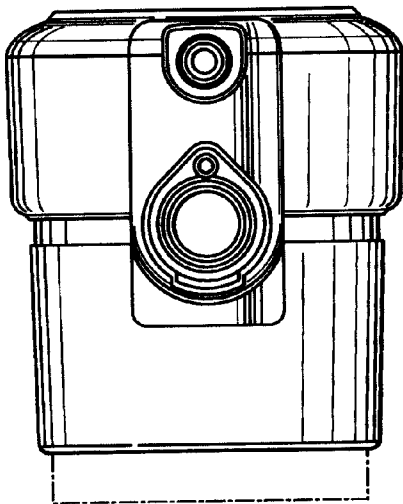
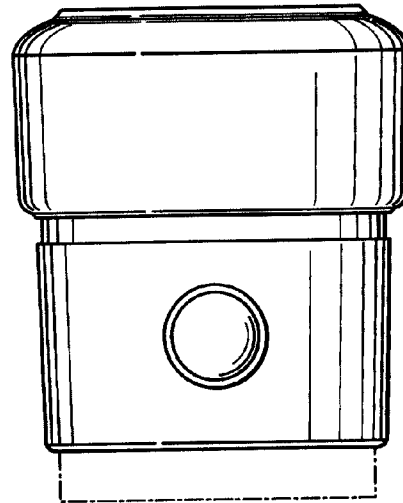
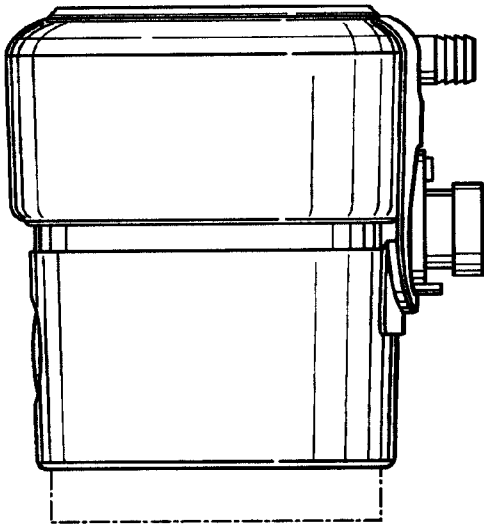


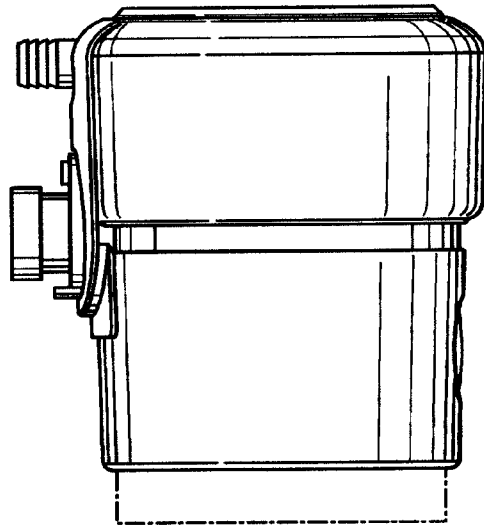
FIG. 3



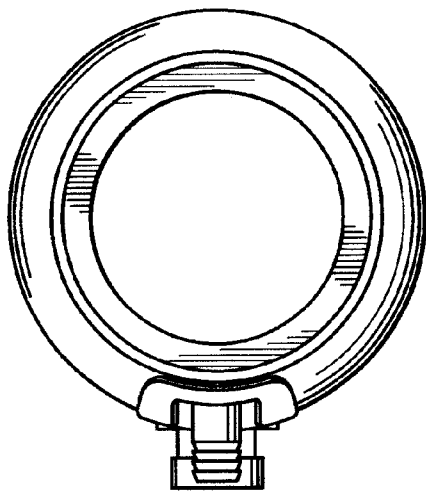
**FIG. 4**



**FIG. 5**



**FIG. 6**



**FIG. 7**

