



US00D535976S

(12) **United States Design Patent**
Ng et al.

(10) **Patent No.:** **US D535,976 S**

(45) **Date of Patent:** **** Jan. 30, 2007**

(54) **SPEAKER**

2005/0031148 A1 2/2005 McNary

(75) Inventors: **Yuet Syn Joey Ng**, Singapore (SG);
Kar Choon Ng, Singapore (SG)

(73) Assignee: **Creative Technology Ltd**, Singapore (SG)

(**) Term: **14 Years**

(21) Appl. No.: **29/238,093**

(22) Filed: **Sep. 9, 2005**

(51) **LOC (8) Cl.** **14-01**

(52) **U.S. Cl.** **D14/214**

(58) **Field of Classification Search** D14/204,
D14/207, 209–216, 356; 181/143–144, 147–148,
181/150, 157, 198–199, 151, 153; 381/300–302,
381/306, 333, 345, 361–364, 386–388, 332,
381/336

See application file for complete search history.

(56) **References Cited**

U.S. PATENT DOCUMENTS

4,042,778 A	8/1977	Clinton	
4,596,305 A	6/1986	Jagborn	
5,450,495 A	9/1995	Goldfarb	
5,519,572 A *	5/1996	Luo	381/87
D372,917 S *	8/1996	Kobayashi	D14/214
5,664,020 A	9/1997	Goldfarb et al.	
5,864,100 A	1/1999	Newman	
5,883,966 A	3/1999	Kubo	
5,979,591 A	11/1999	Harrison	
6,079,515 A	6/2000	Newman	
6,176,346 B1	1/2001	Wiener	
6,206,999 B1	3/2001	Ritto et al.	
6,292,573 B1	9/2001	Zurek et al.	
6,367,579 B1	4/2002	Wiener	
D472,542 S *	4/2003	Oikawa	D14/172

OTHER PUBLICATIONS

Amazon.com web site featuring Logic3 I-Station Dock and Speaker Station for iPod for sale, Date first available for sale on Amazon: Oct. 12, 2004, 2 pages.

* cited by examiner

Primary Examiner—Nanda Bondade

(74) *Attorney, Agent, or Firm*—P. Francois de Villiers

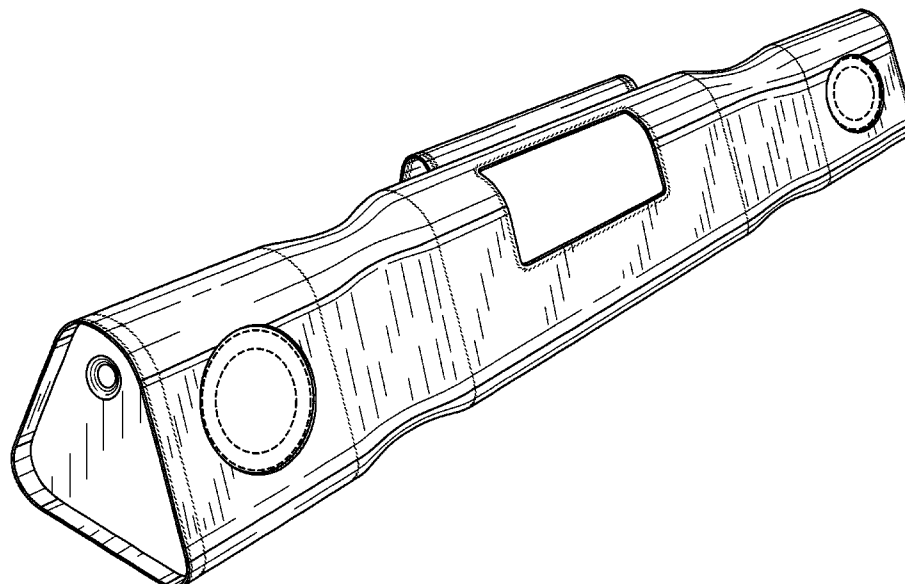
(57) **CLAIM**

The ornamental design for a speaker, substantially as shown and described.

DESCRIPTION

FIG. 1 is a perspective view of a speaker in accordance with the present design, in an extended and open configuration; FIG. 2 is a front view of the speaker as shown in FIG. 1; FIG. 3 is a rear view of the speaker as shown in FIG. 1; FIG. 4 is a top view of the speaker as shown in FIG. 1; FIG. 5 is a bottom view of the speaker as shown in FIG. 1; FIG. 6 is a side view of the speaker as shown in FIG. 1; FIG. 7 is a perspective view of the speaker of FIG. 1, in a retracted and closed configuration; FIG. 8 is a front view of the speaker as shown in FIG. 7; FIG. 9 is a rear view of the speaker as shown in FIG. 7; FIG. 10 is a top view of the speaker as shown in FIG. 7; FIG. 11 is a bottom view of the speaker as shown in FIG. 7; and, FIG. 12 is a side view of the speaker as shown in FIG. 7. The side views that are not shown are mirror images of side views that are shown. The broken line showing of the drawing disclosure is for illustrative purposes only and forms no part of the claimed design.

1 Claim, 10 Drawing Sheets



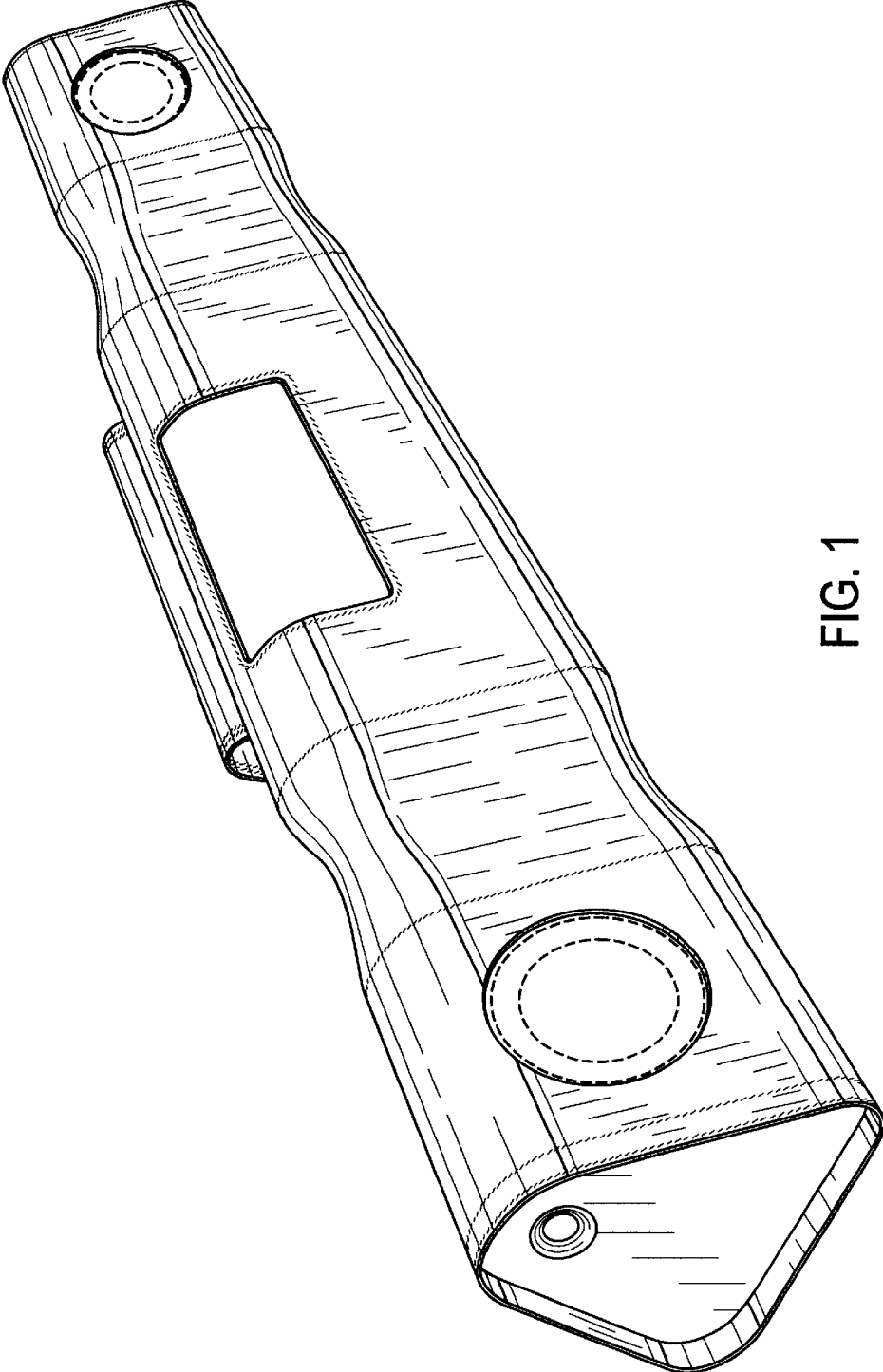


FIG. 1

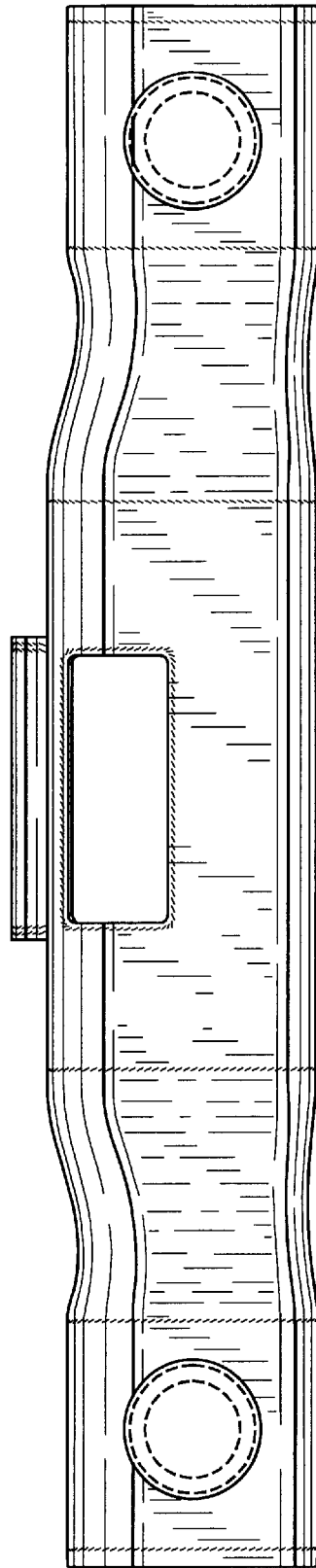


FIG. 2

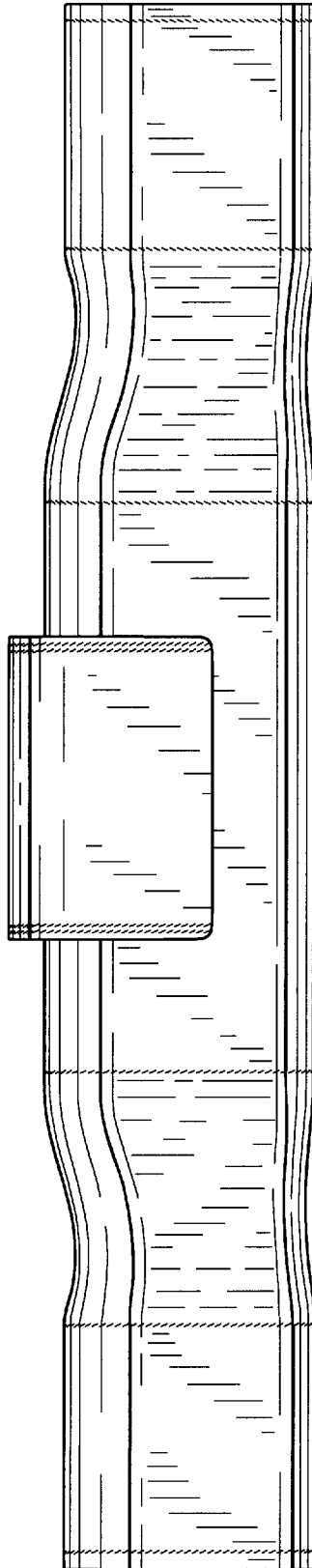


FIG. 3

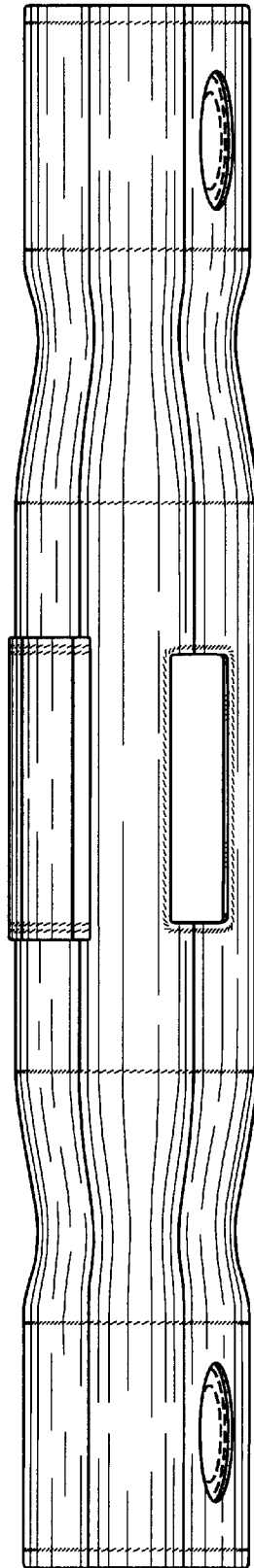


FIG. 4

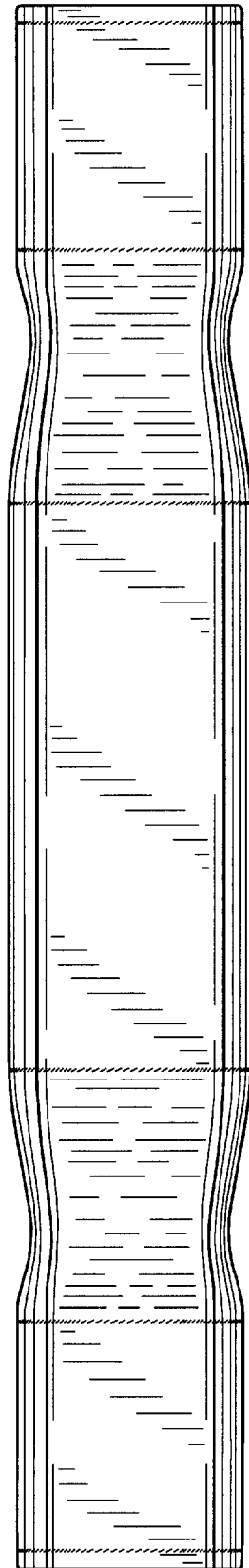


FIG. 5

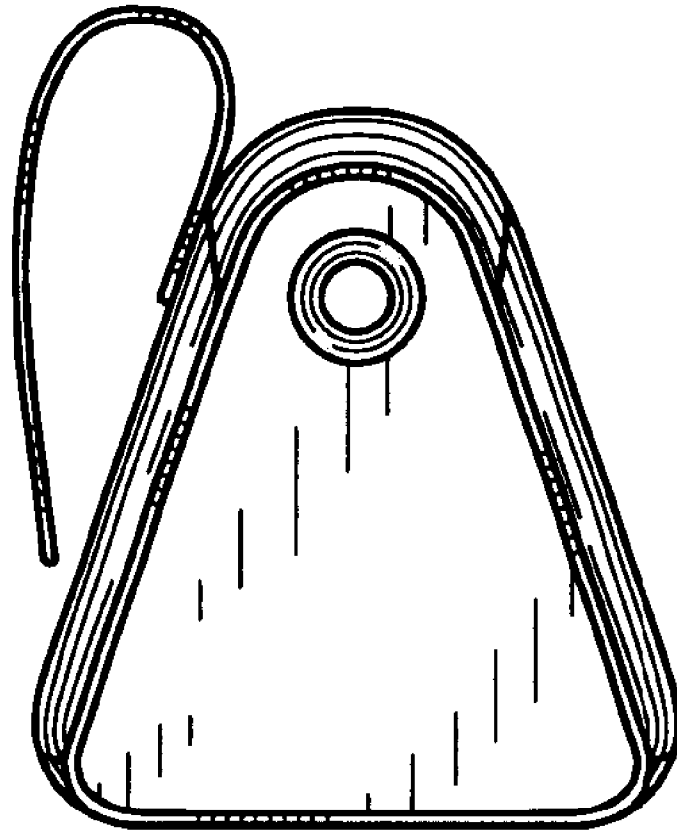


FIG. 6

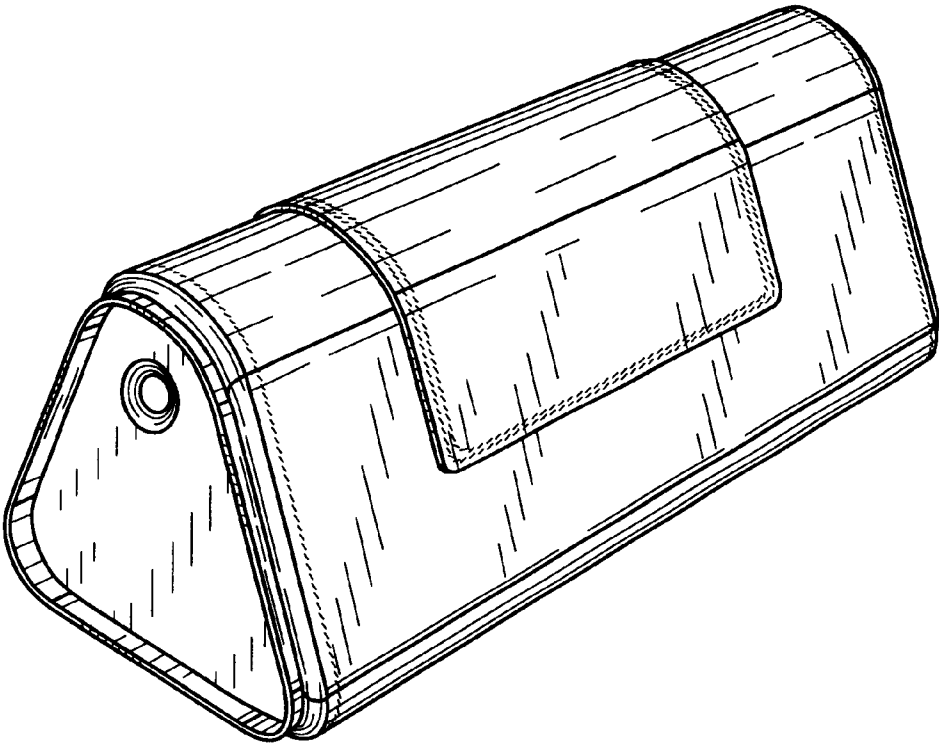


FIG. 7

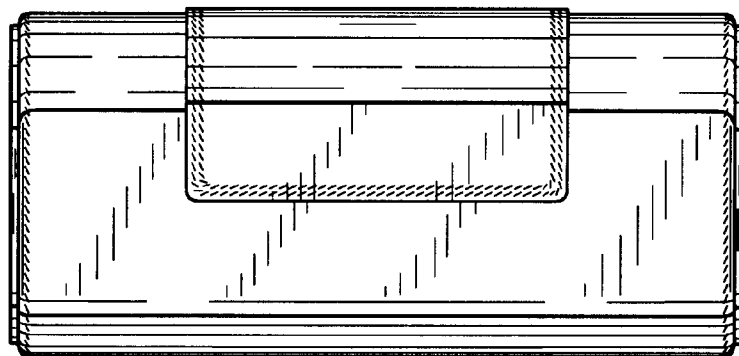


FIG. 8

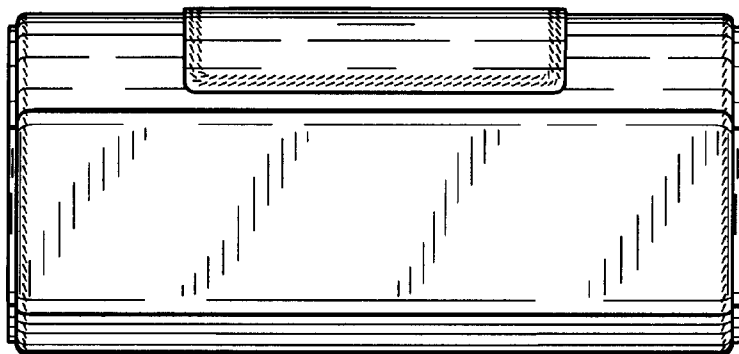


FIG. 9

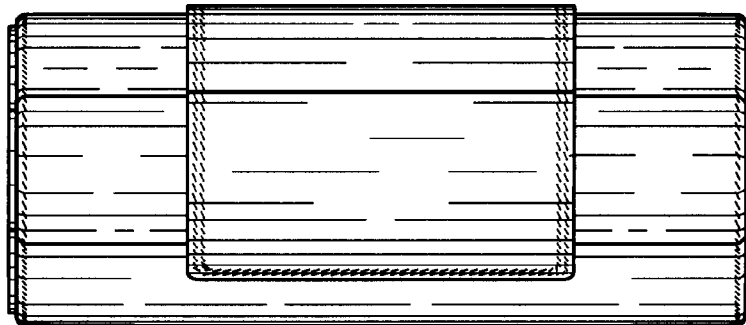


FIG. 10

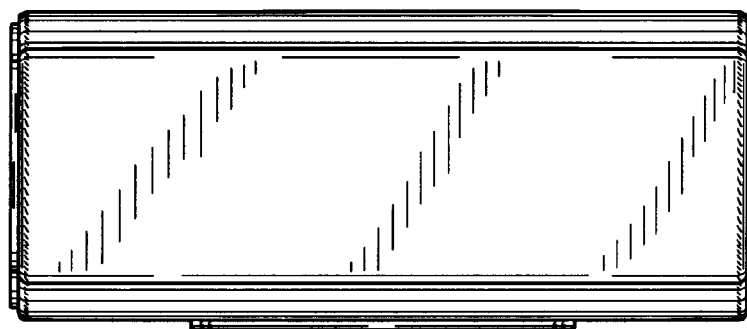


FIG. 11

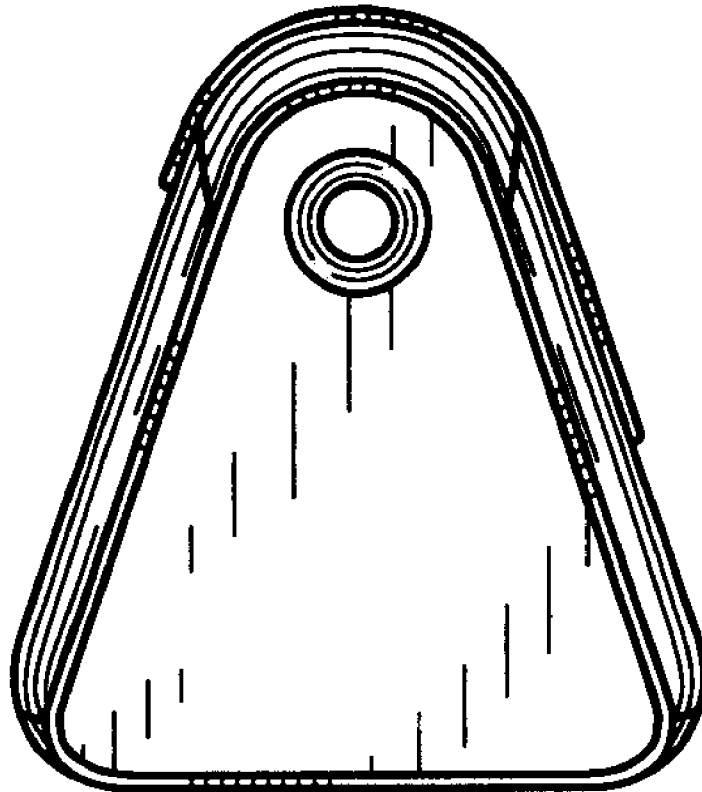


FIG. 12