

(19) World Intellectual Property  
Organization  
International Bureau



(43) International Publication Date  
26 August 2004 (26.08.2004)

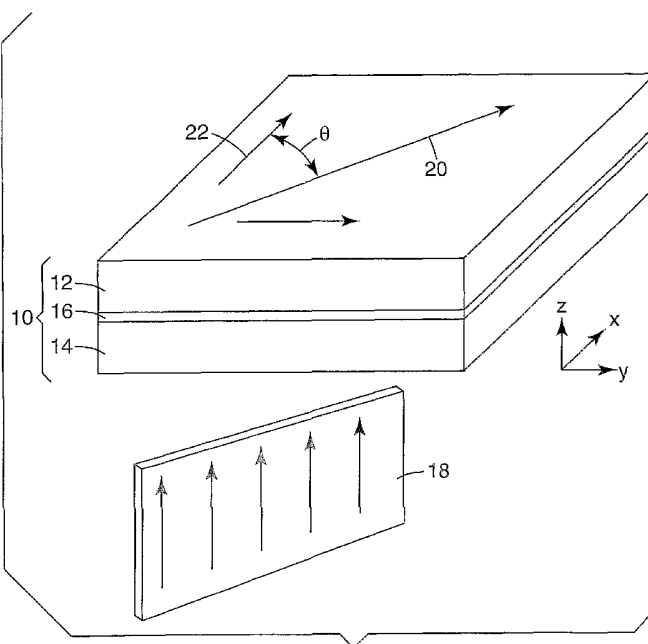
PCT

(10) International Publication Number  
WO 2004/072700 A1

- (51) International Patent Classification<sup>7</sup>: G02B 5/30, G02F 1/13363
- (21) International Application Number: PCT/US2003/040498
- (22) International Filing Date: 19 December 2003 (19.12.2003)
- (25) Filing Language: English
- (26) Publication Language: English
- (30) Priority Data: 10/365,333 12 February 2003 (12.02.2003) US
- (71) Applicant: 3M INNOVATIVE PROPERTIES COMPANY [US/US]; 3M Center, Post Office Box 33427, Saint Paul, MN 55133-3427 (US).
- (72) Inventors: TRAPANI, Giorgio, B.; Post Office Box 33427, Saint Paul, MN 55133-3427 (US). NAGARKAR, Pradnya, V.; Post Office Box 33427, Saint Paul, MN 55133-3427 (US).
- (74) Agents: BUCKINGHAM, Stephen, W. et al.; Office of Intellectual Property Counsel, Post Office Box 33427, Saint Paul, MN 55133-3427 (US).
- (81) Designated States (*national*): AE, AG, AL, AM, AT (utility model), AT, AU, AZ, BA, BB, BG, BR, BW, BY, BZ, CA, CH, CN, CO, CR, CU, CZ (utility model), CZ, DE (utility model), DE, DK (utility model), DK, DM, DZ, EC, EE (utility model), EE, EG, ES, FI (utility model), FI, GB, GD, GE, GH, GM, HR, HU, ID, IL, IN, IS, JP, KE, KG, KP, KR, KZ, LC, LK, LR, LS, LT, LU, LV, MA, MD, MG, MK, MN, MW, MX, MZ, NI, NO, NZ, OM, PG, PH, PL, PT, RO, RU, SC, SD, SE, SG, SK (utility model), SK, SL, SY, TJ, TM, TN, TR, TT, TZ, UA, UG, UZ, VC, VN, YU, ZA, ZM, ZW.
- (84) Designated States (*regional*): ARIPO patent (BW, GH, GM, KE, LS, MW, MZ, SD, SL, SZ, TZ, UG, ZM, ZW), Eurasian patent (AM, AZ, BY, KG, KZ, MD, RU, TJ, TM), European patent (AT, BE, BG, CH, CY, CZ, DE, DK, EE, ES, FI, FR, GB, GR, HU, IE, IT, LU, MC, NL, PT, RO, SE, SI, SK, TR), OAPI patent (BF, BJ, CF, CG, CI, CM, GA, GN, GQ, GW, ML, MR, NE, SN, TD, TG).

[Continued on next page]

(54) Title: LIGHT POLARIZING FILM



(57) Abstract: A light polarizing film (10) and method of making same includes a linear polarizer (12) having a first surface and a second surface and having a polarization direction, an optical retarder (14) comprising a simultaneously biaxially oriented polypropylene film disposed adjacent to the first surface of the linear polarizer (12) and having an axis oriented at an angle with respect to the polarization direction, and an adhesive layer (16) disposed between the first surface of the linear polarizer (12) and the optical retarder (14) and having a minimum adhesion strength of about 25 grams per inch.

WO 2004/072700 A1

**Declarations under Rule 4.17:**

— as to applicant's entitlement to apply for and be granted a patent (Rule 4.17(ii)) for the following designations AE, AG, AL, AM, AT, AU, AZ, BA, BB, BG, BR, BW, BY, BZ, CA, CH, CN, CO, CR, CU, CZ, DE, DK, DM, DZ, EC, EE, EG, ES, FI, GB, GD, GE, GH, GM, HR, HU, ID, IL, IN, IS, JP, KE, KG, KP, KR, KZ, LC, LK, LR, LS, LT, LU, LV, MA, MD, MG, MK, MN, MW, MX, MZ, NI, NO, NZ, OM, PG, PH, PL, PT, RO, RU, SC, SD, SE, SG, SK, SL, SY, TJ, TM, TN, TR, TT, TZ, UA, UG, UZ, VC, VN, YU, ZA, ZM, ZW, ARIPO patent (BW, GH, GM, KE, LS, MW, MZ, SD, SL, SZ, TZ, UG, ZM, ZW), Eurasian patent (AM, AZ, BY, KG, KZ, MD, RU, TJ, TM), European patent (AT, BE, BG,

CH, CY, CZ, DE, DK, EE, ES, FI, FR, GB, GR, HU, IE, IT, LU, MC, NL, PT, RO, SE, SI, SK, TR), OAPI patent (BF, BJ, CF, CG, CI, CM, GA, GN, GQ, GW, ML, MR, NE, SN, TD, TG)

— as to the applicant's entitlement to claim the priority of the earlier application (Rule 4.17(iii)) for all designations

**Published:**

— with international search report

For two-letter codes and other abbreviations, refer to the "Guidance Notes on Codes and Abbreviations" appearing at the beginning of each regular issue of the PCT Gazette.

## LIGHT POLARIZING FILM

### Field of the Invention

This invention relates to a light polarizing film including a linear polarizer and an optical retarder and, in particular, a polarizing film including a synthetic dichroic linear  
5 polarizer and an optical retarder in the form of a simultaneously biaxially oriented polymer film.

### Background of the Invention

Unpolarized light waves vibrate in a large number of planes about the axis of a light beam. If the light waves vibrate in one plane only, the light is said to be plane  
10 polarized. While several materials possess to a degree inherent polarizing properties, synthetic polarizing materials based on thin polymeric films are desirable for their comparative ease of manufacture and handling, their ability to be tailored for particular uses, and the comparative ease with which they may be incorporated into desired end products.

15 The production of linear light polarizing films has been well described in the art. Linear light polarizing films, in general, owe their properties of selectively passing radiation vibrating along a given electromagnetic radiation vector and absorbing electromagnetic radiation vibrating along a second given electromagnetic radiation vector to the anisotropic character of the transmitting film medium.

20 Dichroic polarizers are an absorptive variety of linear polarizers that owe their light-polarizing capabilities to the vectorial anisotropy of their absorption of incident light waves. The term "dichroism" is used herein to refer to the property of differential absorption of the components of an incident beam of light, depending upon the vibration directions of the components. Thus, light entering a dichroic film encounters two different

absorption coefficients acting on light waves vibrating along different planes, one coefficient being low and one coefficient being relatively high. The emerging light vibrates predominantly in the direction of low absorption. One type of synthetic dichroic sheet polarizer is a polyvinyl alcohol-iodine complex polarizer and variants thereof, such as an "H-Sheet"-type polarizer or stained polarizer, the first such polarizer having been invented by Edwin H. Land of Polaroid Corporation and described in U.S. Pat. No. 2,454,515. In general, a polyvinyl alcohol-iodine complex polarizer comprises a light-absorptive linear polyiodide contained within a polyvinyl alcohol matrix. A polyvinyl alcohol-iodine complex polarizer is generally made, for example, by impregnating a film of polyvinyl alcohol or its derivative with an aqueous solution of a light-absorptive polyiodide or similar dichroic dye, and thermally stretching the film several times its length so that the resultant high molecular weight molecules are unidirectionally oriented. By orienting the polyvinyl alcohol matrix unidirectionally, the transition moments of the light-absorptive polyiodide become correspondingly oriented, and the material thus becomes visibly dichroic.

Another type of synthetic dichroic sheet polarizer is an intrinsic polarizer, such as a K-type polarizer. An intrinsic polarizer derives its dichroism from the light-absorbing properties of its matrix, not from the light-absorbing properties of dye additives, stains, or suspended crystalline material. Typically intrinsic polarizers comprise a sheet of oriented poly(vinyl alcohol) having an oriented suspension of a dehydration product of polyvinyl alcohol (i.e., polyvinylene). Intrinsic polarizers of this kind are formed by heating the polymeric sheet in the presence of a dehydration catalyst, such as vapors of aqueous hydrochloric acid, to produce conjugated polyvinylene blocks and unidirectionally stretching the polymeric sheet prior to, subsequent to, or during the dehydration step to

align the poly(vinyl alcohol) matrix. By orienting the poly(vinyl alcohol) matrix unidirectionally, the transition moments of the conjugated polyvinylene blocks or chromophores are also oriented, and the material becomes visibly dichroic. A second orientation step or extension step may be employed after the dehydration step, as  
5 described in U.S. Pat. No. 5,666,223 (Bennett et al.).

An optical retarder modifies polarized light by retarding the optical path length for one of the orthogonal components of the light compared to the other orthogonal component. When the light emerges from the optical or phase retarder, there is a phase difference between the two orthogonal components of linearly polarized light. A circular  
10 polarizer or elliptical polarizer may be produced when an optical retarder is used in combination with a linear polarizer. Circularly polarized light is created when the two orthogonal components of linearly polarized light are phase shifted with respect to each other by  $\lambda/4$ , where  $\lambda$  represents the wavelength of the light. Elliptically polarized light results from an arbitrary phase shift between the two orthogonal components of incoming  
15 light. For example, a ray of unpolarized light passing through a linear polarizer becomes polarized in the polarization direction of the linear polarizer. When the polarization direction of the light is oriented 45 degrees with respect to the optical axis of the retarder, the resulting light is circularly or elliptically polarized, and the vibration direction of the polarized light ray after passing through the retarder appears to move in a helical pattern.

20

### Summary of the Invention

In general, in one aspect, the invention features a light polarizing film. The light polarizing film includes a linear polarizer having a first surface and a second surface and having a polarization direction, and an optical retarder including a simultaneously

biaxially oriented polypropylene film disposed adjacent to the first surface of the linear polarizer and having an axis oriented at an angle to the polarization direction.

In general, in another aspect, the invention features a method for producing a light polarizing film. An oriented sheet of polyvinyl alcohol having a first surface and a second surface and having a polarization direction is provided. An optical retarder including a simultaneously biaxially oriented polypropylene film is disposed adjacent to the first surface of the linear polarizer. An axis of the optical retarder is oriented at an angle to the polarization direction of the linear polarizer. The oriented sheet of polyvinyl alcohol is treated with a light absorbing material.

In general, in another aspect, the invention features an optical system, which includes a polarized light source and a light polarizing film. The light polarizing film includes a linear polarizer with a first surface and a second surface and having a polarization direction, and an optical retarder including a simultaneously biaxially oriented polypropylene film disposed adjacent to the first surface of the linear polarizer and having an axis oriented at an angle to the polarization direction.

The details of one or more embodiments of the invention are set forth in the accompanying drawings and the description below. Other features, objects, and advantages of the invention will be apparent from the description and drawings, and from the claims.

#### **Brief Description of the Drawings**

FIG. 1 is a schematic side view of a light polarizing film according to an embodiment of the present invention;

FIG. 2 is a perspective view of a light polarizing film according to an embodiment of the present invention;

FIG. 3 is a schematic side view of a light polarizing film according to an embodiment of the present invention; and

FIG. 4 is a schematic side view of a light polarizing film according to an embodiment of the present invention.

5

### Detailed Description

FIG. 1 shows a schematic side view of a light polarizing film 10 according to the present invention. Light polarizing film 10 includes a linear polarizer 12 having a first surface 12a and a second surface 12b, and an optical retarder 14 comprising a simultaneously biaxially oriented polymer film disposed adjacent to the first surface 12a of linear polarizer 12. The combination of linear polarizer 12 and optical retarder 14 is a light polarizing film 10 which functions as an elliptical or circular polarizer. Typically, linear polarizer 12 is in close proximity to optical retarder 14, although this arrangement is not required. Preferably, the two layers 12, 14 are bonded to each other by a layer of adhesive 16.

15 As shown in FIG. 2, linear polarizer 12 is configured or oriented within light polarizing film 10 such that a polarization axis or direction 20 of linear polarizer 12 has an absolute angular offset,  $\theta$ , relative to an optical axis 22 of optical retarder 14, of from about 1 degree to about 90 degrees, preferably about 45 degrees. Polarization direction 20 indicates the plane along which linearly polarized light emerges from linear polarizer 12.

20 Polarization direction 20 will in most cases correspond with the stretch direction of the polarizer, i.e., the direction of polymeric and/or chromophoric orientation.

Light polarizing film 10 may be made with any type of linear polarizer 12, but is preferably made with a synthetic dichroic polarizer, such as an intrinsic polarizer or a polyvinyl alcohol-iodine complex polarizer and variants thereof. Typically, when

processing an intrinsic polarizer or a polyvinyl alcohol-iodine complex polarizer, the film may be stretched in a machine direction as with a length orienter, across the width or transverse to the machine direction using a tenter, and/or at a diagonal to the machine direction. When a polymeric sheet is stretched in more than one direction, the polarization  
5 direction of the resulting polarizer typically is determined by the direction of the largest degree of stretch.

Optical retarder 14 is typically made from an orientable polymer film, such as a polypropylene or polyester film, which may be made birefringent, for example, by stretching the polymer film in a desired direction or directions. The term "birefringent"  
10 means that the indices of refraction in orthogonal x, y, and z directions are not all the same. For films or layers in a film, a convenient choice of x, y, and z axes is shown in FIG. 2 in which the x and y axes correspond to the length and width of the film or layer, respectively, and the z axis corresponds to the thickness of the layer or film. For example as shown in FIG. 2, the machine direction corresponds to the x-axis.

15 When an orientable polypropylene or polyester film is stretched along the x axis, the typical result is that the indices of refraction,  $n_x$  and  $n_y$ , are not equal for light polarized in a plane parallel to the "x" and "y" axes, respectively. The degree of alteration in the index of refraction along the stretch direction will depend on factors such as the amount of stretching, the stretch rate, the temperature of the film during stretching, the thickness of  
20 the film, the variation in film thickness, and the composition of the film.

In making optical retarder 14, a biaxial stretch process is preferably used to orient the birefringent material in the plane of the film, e.g., a flat film tenter stretching process. Biaxially stretched as used herein to describe a film, indicates that the film has been stretched in two different directions. The biaxial stretching of a film in two different

directions may result in a net symmetrical or asymmetrical stretch in the two chosen axes. Typically, but not always, the two directions are substantially orthogonal and are in the machine direction of the film and the transverse direction of the film. Preferably, optical retarder 14 has its optical axis in the machine direction. Biaxially stretched films may be drawn in the two directions sequentially, simultaneously, or some combination of sequentially and simultaneously. A simultaneously biaxially oriented film when used herein indicates that significant portions of the stretching in each of the two directions are performed simultaneously. Simultaneously biaxially oriented polypropylene is an especially preferred material for forming optical retarder 14 because it is inexpensive, easy to manufacture, and provides mechanical strength to linear polarizer 12. Examples of simultaneously biaxially oriented films are described in U.S. Patent Nos. 3,241,662, 3,324,218, 6,303,067 and 6,358,457.

Adhesive layer 16 is typically made from a pressure sensitive adhesive. Pressure sensitive adhesives may be prepared from a composition comprising, for example, a major amount of one or more thermoplastic polymers and may optionally contain such other desired components as UV-absorbers, anti-static compositions, optical brighteners, inert fillers, and plasticizers. Pressure sensitive adhesive should be sufficiently compatible with the light polarizer material and the optical retarder material to substantially prevent degradation of the two films. Pressure sensitive adhesive should also have a degree of optical transparency and clarity sufficient to substantially prevent depolarization, and other like optical distortions. The adhesion or sticking strength of adhesive layer 16 is typically greater than about 25 grams/inch as measured using a peel tester operated at 90 in/min peel rate, 180 degree peel. An example of suitable simultaneously biaxially oriented polypropylene films having an accompanying layer of adhesive such as a pressure

sensitive adhesive are commercially available from 3M Company (St. Paul, MN), for example the product designations 3701 Tape and 3750 Tape. 3701 Tape has a thickness of about 0.002 inches (0.051 mm), and 3750 Tape has a thickness of about 0.0035 inches (0.089 mm).

5 To facilitate the mass production of a light polarizing film 10, the present invention also provides a method of manufacture wherein linear polarizer 12 having a polarization direction 20 at a predefined angle, e.g.,  $\pm 45$  degrees relative to the machine direction of linear polarizer 12, is roll-to-roll laminated (or otherwise deposited) onto optical retarder 14 having an optical axis 22 at a predefined angle, e.g., parallel to the machine direction of  
10 optical retarder 14. Light polarizing film 10 of the present invention is easier and more inexpensive to manufacture since a subsequent alignment step of linear polarizer 12 with optical retarder 14 is not necessary. Since the relative orientation of polarization direction 20 of linear polarizer 12 to optical axis 22 of optical retarder 14 is preferably at 45 degrees, linear polarizer 12 is preferably stretched or has a largest degree of stretch at a 45  
15 degree angle to the machine direction. One method of stretching a polymeric sheet along a diagonal is described in U.S. Patent No. 2,505,146, which is hereby incorporated by reference.

One use of light polarizing film 10 involves illuminating optical retarder 14 with polarized light 18 as illustrated in FIG. 2. The incoming polarized light 18 is preferably  
20 oriented parallel to or perpendicular to polarization direction 20 of linear polarizer 12. Although the present invention will be discussed with reference to this configuration, other configurations in which linear polarizer 12, optical retarder 14, and incoming polarized light 18 are oriented in different manners with respect to one other are also possible.

After the incoming polarized light 18 passes through optical retarder 14, the light becomes elliptically or circularly polarized. The retardance of optical retarder 14 determines the amount the phase is shifted between the two orthogonal components of the polarized light, and thus determines whether the light becomes elliptically or circularly  
5 polarized. If the light is elliptically polarized, the eccentricity of the ellipse varies with the amount the phase is shifted. Preferably, the phase is shifted 200 nm, or a multiple thereof, to produce a variety of elliptically and circularly polarized forms throughout the visible range. Typically, optical retarder 14 has a retardance ranging from about 200 nm to about 3000 nm.

10 When the elliptically or circularly polarized light passes through linear polarizer 12, polarizer 12 absorbs a portion of the light components that emerged from optical retarder 14. Moreover, since optical retarder 14 will shift the phase of different wavelengths of light to different extents, polarizer 12 will absorb different wavelengths selectively, and thus the emerging light will be substantially colored. For example, if  
15 optical retarder 14 has a retardance of about 300 nm, the emerging light may have a blue color or a yellow color, depending on the initial orientation of polarized light 18. The color or wavelength of the emerging light may also vary depending on the direction of the viewing angle.

FIG. 3 shows a schematic side view of another embodiment of a light polarizing  
20 film 10. Light polarizing film 10 includes a linear polarizer 12 and an optical retarder 14 as shown and previously described in FIG. 1, along with a second optical retarder 24 comprising a simultaneously biaxially oriented polymer film disposed adjacent to the second surface 12b of linear polarizer 12. Typically, linear polarizer 12 is in close proximity to second optical retarder 24, although this arrangement is not required.

Preferably, the two layers 12, 24 are bonded to each other by a layer of adhesive 16. Second optical retarder 24 provides further structural support to light polarizing film 10, but does not change the intensity of the emerging light as described previously with respect to the optical system shown in FIG. 2. Additionally, second optical retarder 24  
5 allows polarized light 18 to illuminate either side of light polarizing film 10 and still produce a similar optical effect.

FIG. 4 shows a schematic side view of a light polarizing film 10 with a linear polarizer 12 and an optical retarder 14 as shown and previously described in FIG. 1, along with a second light polarizing film 10 with a linear polarizer 12 and an optical retarder 14.  
10 A second optical retarder 24 may be used on either of the light polarizing films 10. Although FIG. 4 shows a stack 30 of two light polarizing films, any number of light polarizing films with various thicknesses and layers may be used. The use of multiple light polarizing films may be used to produce varying optical effects.

The polymeric sheet used to make the linear polarizer generally has a thickness on  
15 the order of 0.0005 inches (0.013 mm) to 0.004 inches (0.102 mm). The polymeric sheet is typically stretched from approximately 3.5 times to approximately 6.0 times the original length of the sheet. The stretching step is conducted at a temperature above the glass transition temperature of the polymeric material. Stretching may be effected by the provision of heat generating elements, fast rollers, and slow rollers. For example, the  
20 difference in the rotational rate between rollers may be exploited to create corresponding tension in the area of the sheet transported therebetween. When heat generating elements heat the sheet, stretching is facilitated and more desirably effected. Temperature control may be achieved by controlling the temperature of heated rolls or by controlling the

addition of radiant energy, e.g., by infrared lamps, as is known in the art. A combination of temperature control methods may be utilized.

Due to the relative weak transverse strength of an oriented vinylalcohol polymer, it may be advantageous to cast, laminate or otherwise affix the vinylalcohol film onto a substrate such as a support film layer, heated roller, or carrier web after orientation. A support layer, when bonded or otherwise affixed to the polymer film provides mechanical strength and support to the article so that it may be more easily handled and further processed.

In the case of a polyvinyl alcohol-iodine complex polarizer, the polymeric sheet either before or after being oriented is treated or submerged in an iodine solution. In the case of an intrinsic polarizer, the oriented polymeric sheet is subjected to a dehydration step whereupon the oriented sheet is treated to "convert" a portion thereof to polarizing molecules consisting of block copolymers of poly(vinylene-co-vinyl alcohol). Methods of producing polyvinyl alcohol-iodine complex polarizers and intrinsic polarizers are described in U.S. Patent Nos. 4,166,871 (Schuler); 4,591,512 (Racich et al.); and 5,666,223 (Bennett et al.).

In the case of an intrinsic polarizer, the polymeric sheet may be subjected to a second orientation step or extension step in which the oriented polarizer is stretched a second time from about 0% to about 70% beyond that obtained in the first stretch. For any type of polarizer film, the polymeric sheet may also be subjected to a boration step in which the oriented sheet is treated with an aqueous solution of boric acid and borax to effect relaxation and crosslinking. The extension step may be carried out before, during or after the polymeric sheet is in a boration solution. For example, the polymeric sheet can be submerged and allowed to soften and/or swell (i.e., relax) in the boration solution,

subsequently removed, and then extended. Alternatively, the polymeric sheet may be extended when still submerged into the boric acid solution.

The boration step may employ two or more baths. For example, in a two-bath boration treatment, the first bath may contain water, and the second, a boric ion  
5 contributing species. Alternatively, the order can be reversed or both baths may contain varying concentrations and/or mixtures of boric ion contributing species. Extension may be conducted in any one of these baths.

When the polymeric sheet is borated, the boration solution will generally comprise boric acid and either sodium or potassium hydroxide, or a substance from the class  
10 consisting of the sodium and potassium borates, preferably borax. The concentration of boric acid and borax or other borate in the solution or solutions to which the oriented polarizing sheet is subjected are not critical. Preferably, the boric acid is present in a higher concentration than the borax or other borate, and a preferred concentration range comprises 9%-12% by weight of boric acid and 3% by weight of borax. Preferably, the  
15 solutions should contain from about 1% to about 7% by weight of borax and from about 5% to about 20% by weight of boric acid.

One or more dichroic dyes may additionally be added to the polymeric sheet in order to neutralize the so-called "blue-leak" and/or "red-leak" of certain dichroic polarizers. Any of a variety of dichroic dyes may be used. Suitable dyes include any of  
20 the diazo, triazo or polyazo dyes, or other direct or acid dyes, such as "Intrajet Yellow DG" available from Sensient Technical Colors (Elmwood Park, NJ) and "Evans Blue" available from Sigma-Aldrich. The dichroic dye may be added to the polymeric sheet at any stage in the process. For example, the dye may be cast into or coated onto the polymeric sheet before the initial stretch, or it may be added during the dehydration,

iodine staining, boration, or extension step. A variety of time, temperatures, and concentrations may be used depending on the amount of stain required. Higher temperatures and/or higher concentrations may require less residence time for the polymeric sheet.

5           Subsequent to the boration step and/or extension step, the oriented polymeric film may be subjected to a baking temperature ranging from about 50 °C to about 90 °C. The resulting polarizer can again be bonded or laminated to a support layer, the support layer being the same or different from the layer stripped off, fumed, iodine stained and/or oriented prior to extension thereof.

10           Any of a variety of materials can be used for the carrier web or support layer. Suitable materials include known polymeric sheet materials such as the cellulose esters (e.g., nitrocellulose, cellulose acetate, cellulose acetate butyrate), polyesters, polycarbonates, vinyl polymers such as the acrylics, and other support materials that can be provided in a sheet-like, light-transmissive form. Polyesters are especially useful,  
15           depending on the particular application and the requirements thereof. A preferred polyester is polyethylene terephthalate, available under the Mylar and Estar tradenames, although other polyethylene terephthalate materials can be employed. The thickness of the support material will vary with the particular application. In general, from the standpoint of manufacturing considerations, supports having a thickness of about 0.0005 inches  
20           (0.013 mm) to about 0.020 inches (0.508 mm) can be conveniently employed.

          During the processing of the polymeric film, optical retarder 14 may be bonded to the oriented polymeric film before or after the iodine staining, in the case of a polyvinyl alcohol-iodine complex polarizer, and before or after the dehydration in the case of an intrinsic polarizer. Optical retarder 14 may then be subjected to a boration, extension,

and/or heat treatment step. Alternatively, optical retarder 14 may be bonded or laminated onto the dichroic polarizer after all processing steps are completed for making the polarizer.

It will be apparent to those of ordinary skill in the art that light polarizing films of the present invention may be laminated between or to supporting sheets or films, such as sheets of glass or sheets of other organic plastic materials, and that light polarizing films of the present invention in either laminated or unlaminated form may be employed wherever other forms of light-polarizing plastic materials may be used, for example, in connection with liquid crystal display panels, or other display devices.

Any of a variety of adhesives can be used for laminating the light polarizing films onto other layers or substrates including polyvinyl alcohol adhesives and polyurethane adhesive materials. Since the light polarizing films are normally employed in optical applications, an adhesive material which does not have an unacceptable effect on the light transmission properties of the light polarizing film will generally be employed. The thickness of the adhesive material will vary with the particular application. In general, thicknesses of about 0.0002 inches (0.005 mm) to about 0.002 inches (0.051 mm) are satisfactory.

Various functional layers or coatings may be added to the light polarizing film of the present invention to alter or improve its physical or chemical properties, particularly along the surface of the film. Such layers or coatings may include, for example, slip agents, low adhesion backside materials, conductive layers, antistatic coatings or films, barrier layers, flame retardants, UV stabilizers, abrasion resistant materials, optical coatings, compensation films, diffuse layers, diffuse adhesives, and/or substrates designed to improve the mechanical integrity or strength of the film.

Skin layers or coatings may also be added to impart desired barrier properties to the resulting film or device. Thus, for example, barrier films or coatings may be added as skin layers, or as a component in skin layers, to alter the transmissive properties of the film towards liquids, such as water or organic solvents, or gases, such as oxygen or carbon  
5 dioxide.

Skin layers or coatings may also be added to impart or improve abrasion resistance in the resulting article. Thus, for example, a skin layer comprising particles of silica embedded in a polymer matrix may be added to an optical film produced in accordance with the invention to impart abrasion resistance to the film, provided, of course, that such  
10 a layer does not unduly compromise the optical properties required for the application to which the film is directed.

Skin layers or coatings may also be added to impart or improve puncture and/or tear resistance in the resulting film. Factors to be considered in selecting a material for a tear resistant layer include percent elongation to break, Young's modulus, tear strength,  
15 adhesion to interior layers, percent transmittance and absorbance in an electromagnetic bandwidth of interest, optical clarity or haze, refractive indices as a function of frequency, texture and roughness, melt thermal stability, molecular weight distribution, melt rheology and coextrudability, miscibility and rate of inter-diffusion between materials in the skin layer and polarizing film layers, viscoelastic response, relaxation and crystallization  
20 behavior under draw conditions, thermal stability at use temperatures, weatherability, ability to adhere to coatings and permeability to various gases and solvents.

Puncture or tear resistant skin layers may be applied during the manufacturing process or later coated onto or laminated to the polarizing film. Adhering these layers to the film during the manufacturing process, such as by a coextrusion process, provides the

advantage that the film is protected during the manufacturing process. In some embodiments, one or more puncture or tear resistant layers may be provided within the film, either alone or in combination with a puncture or tear resistant skin layer.

The light polarizing film of the present invention may be given good slip properties by treating it with low friction coatings or slip agents, such as polymer beads coated onto the surface. Alternately, the morphology of the surfaces of these materials may be modified, as through manipulation of extrusion conditions, to impart a slippery surface to the films.

In some applications, it may be desirable to treat the light polarizing film, optical retarder, or linear polarizer with low adhesion backsize (LAB) coatings or films such as those based on urethane, silicone or fluorocarbon chemistry. Films treated in this manner will exhibit proper release properties towards pressure sensitive adhesives, thereby enabling them to be treated with adhesive and wound into rolls.

The light polarizing film of the present invention may also be provided with one or more conductive layers. Such conductive layers may include metals such as silver, gold, copper, aluminum, chromium, nickel, tin, and titanium, metal alloys such as silver alloys, stainless steel, and inconel, and semiconductor metal oxides such as doped and undoped tin oxides, zinc oxide, and indium tin oxide.

The light polarizing film of the present invention may also be provided with antistatic coatings or films. Such coatings or films include, for example,  $V_2O_5$  and salts of sulfonic acid polymers, carbon or other conductive metal layers.

The light polarizing film of the present invention may also be provided with abrasion-resistant or hard coatings, which may be applied as a skin layer. These include acrylic hardcoats such as Acryloid A-11 and Paraloid K-120N, available from Rohm &

Haas, Philadelphia, Pa.; urethane acrylates, such as those described in U.S. Pat. No. 4,249,011 and those available from Sartomer Corp., Westchester, Pa.; and urethane hardcoats obtained from the reaction of an aliphatic polyisocyanate (e.g., Desmodur N-3300, available from Miles, Inc., Pittsburgh, Pa.) with a polyester (e.g., Tone Polyol 0305, available from Union Carbide, Houston, Tex.).

One or more of the non-optical layers previously mentioned may be formed as a skin layer over at least one surface of light polarizing film 10 or light polarizing stack 30, for example, to protect linear polarizer 12 from physical damage during processing and/or afterwards. In addition, one or more of non-optical layers may be formed within light polarizing film 10 or light polarizing stack 30, for example, to provide greater mechanical strength or to protect the film or stack during processing.

The non-optical layers, such as adhesive layer 16, ideally do not significantly participate in the determination of optical properties of light polarizing film 10, at least across the wavelength region of interest, the visible spectrum. The non-optical layers are typically not birefringent or orientable, although this is not required. Typically, when the non-optical layers are used as skin layers there may be some surface reflection. When the non-optical layers are found within light polarizing film 10, there will typically be at least some polarization or reflection of light by the non-optical layers in combination with the optical layers 12, 14, and 24 adjacent to the non-optical layers.

The light polarizing film of the present invention may further be laminated to rigid or semi-rigid substrates, such as, for example, glass, metal, acrylic, polyester, and other polymer backings to provide structural rigidity, weatherability, or easier handling. For example, the polarizing film 10 may be laminated to a thin acrylic or metal backing so that it can be stamped or otherwise formed and maintained in a desired shape. For some

applications, such as when the film is applied to other breakable backings, an additional layer comprising a simultaneously biaxially oriented polymer film or puncture-tear resistant film may be used.

Various optical layers, materials, and devices may also be applied to, or used in conjunction with, the light polarizing film of the present invention for specific applications. These include, but are not limited to, magnetic or magneto-optic coatings or films; liquid crystal panels, such as those used in display panels and privacy windows; photographic emulsions; fabrics; prismatic films, such as linear Fresnel lenses; brightness enhancement films; holographic films or images; embossable films; anti-tamper films or coatings; IR transparent films for low emissivity applications; release films or release coated paper; compensation films; diffuse adhesives; and polarizers or mirrors.

The light polarizing film made in accordance with the invention may also include one or more anti-reflective layers or coatings, such as, for example, conventional vacuum coated dielectric metal oxide or metal/metal oxide optical films, silica sol gel coatings, and coated or coextruded anti-reflective layers such as those derived from low index fluoropolymers such as THV, an extrudable fluoropolymer available from 3M Company (St. Paul, Minn.). Such layers or coatings, which may or may not be polarization sensitive, serve to increase transmission and to reduce reflective glare, and may be imparted to the films and optical devices of the present invention through appropriate surface treatment, such as coating or sputter etching.

Multiple additional layers on one or both surfaces of light polarizing film 10, linear polarizer 12, and optical retarder 14 are contemplated, and may be in any combination of the aforementioned coatings or films.

The light polarizing film of the present invention may be treated with inks, dyes, or pigments to alter its appearance or to customize it for specific applications. Various types of ink can be used, including one and two component inks, oxidatively drying and UV-drying inks, dissolved inks, dispersed inks, and 100% ink systems. In addition, a dye or  
5 pigment may be blended in with a polymer during any portion of the processing.

The appearance of the light polarizing film may also be altered by coloring the film, such as by laminating a dyed film to the polarizing film, applying a pigmented coating to the surface of the film, or including a pigment in one or more of the materials used to make the film.

10 Both visible and near IR dyes and pigments are contemplated in the present invention, and include, for example, optical brighteners such as dyes that absorb in the UV and fluoresce in the visible region of the color spectrum. Other additional layers that may be added to alter the appearance of the polarizing film include, for example, opacifying (black) layers, diffusing layers, holographic images or holographic diffusers, and metal  
15 layers. Each of these may be applied directly to one or both surfaces of film, or may be a component of a second film or foil construction that is laminated to the film. Alternately, some components such as diffusing agents, or colored pigments, may be included in an adhesive layer which is used to laminate the film to another surface.

Various modifications and alterations of this invention will be apparent to those  
20 skilled in the art without departing from the scope and spirit of this invention.

## CLAIMS

What is claimed is:

1. A light polarizing film comprising:  
a linear polarizer having a first surface and a second surface and having a polarization direction;  
an optical retarder comprising a simultaneously biaxially oriented polypropylene film disposed adjacent to the first surface of the linear polarizer and having an axis oriented at an angle with respect to the polarization direction; and  
an adhesive layer disposed between the first surface of the linear polarizer and the optical retarder and having a minimum adhesion strength of about 25 grams per inch.
2. The polarizing film of claim 1 wherein the retardance of the optical retarder ranges from about 200 nm to about 3000 nm.
3. The polarizing film of claim 1 further comprising a second optical retarder comprising a biaxially oriented polypropylene film disposed adjacent to the second surface of the linear polarizer.
4. The polarizing film of claim 3 further comprising an adhesive layer disposed between the second surface of the linear polarizer and the second optical retarder and having a minimum adhesion strength of about 25 grams per inch.
5. The polarizing film of claim 1 wherein the angle is about 45 degrees.
6. The polarizing film of claim 1 wherein the linear polarizer is a synthetic dichroic polarizer.
7. The polarizing film of claim 6 wherein the synthetic dichroic polarizer is a polyvinyl alcohol-iodine complex polarizer or an intrinsic polarizer.

8. The polarizing film of claim 1 wherein the polarization direction is about 45 degrees relative to a machine direction of the linear polarizer.

9. A light polarizing film comprising:  
a linear polarizer having a first surface and a second surface and having a polarization direction;

an optical retarder comprising a simultaneously biaxially oriented polymer film disposed adjacent to the first surface of the linear polarizer and having an axis oriented at an angle to the polarization direction; and

an adhesive layer disposed between the first surface of the linear polarizer and the optical retarder and having a minimum adhesion strength of about 25 grams per inch.

10. The polarizing film of claim 9 wherein the simultaneously biaxially oriented polymer film comprises polyester.

11. A method of producing a light polarizing film comprising:  
providing an oriented sheet of polyvinyl alcohol having a first surface and a second surface and having a polarization direction;

disposing an optical retarder comprising a simultaneously biaxially oriented polypropylene film adjacent to the first surface of the linear polarizer;

orienting an axis of the optical retarder at an angle to the polarization direction of the linear polarizer; and

disposing an adhesive layer between the first surface of the linear polarizer and the optical retarder, the adhesive layer having a minimum adhesion strength of about 25 grams per inch.

12. The method of claim 11 further comprising

treating the oriented sheet of polyvinyl alcohol with a light absorbing material wherein the light absorbing material comprises iodine.

13. The method of claim 11 wherein the angle is about 45 degrees.

14. The method of claim 11 wherein the disposing step comprises laminating the optical retarder to the oriented sheet of polyvinyl alcohol.

15. The method of claim 11 wherein the linear polarizer is a synthetic dichroic polarizer comprising a polyvinyl alcohol-iodine complex polarizer or an intrinsic polarizer.

16. The method of claim 11 further comprising subjecting the oriented sheet of polyvinyl alcohol to a boration treatment.

17. The method of claim 11 further comprising subjecting the oriented sheet of polyvinyl alcohol to a temperature ranging from about 50 °C to about 90 °C.

18. The method of claim 11 further comprising disposing a second optical retarder comprising a simultaneously biaxially oriented polypropylene film adjacent to the second surface of the linear polarizer; and orienting an axis of the second optical retarder at a 45 degree angle to the polarization direction of the linear polarizer.

19. The method of claim 18 further comprising disposing an adhesive layer between the second surface of the linear polarizer and the second optical retarder, the adhesive layer having a minimum adhesion strength of about 25 grams per inch.

20. A method for producing a light polarizing film comprising:

providing a linear polarizer having a first surface and a second surface and having a polarization direction;

disposing an optical retarder comprising a simultaneously biaxially oriented polymer film adjacent to the first surface of the linear polarizer;

orienting an axis of the optical retarder at about a 45 degree angle to the polarization direction of the linear polarizer; and

disposing an adhesive layer between the first surface of the linear polarizer and the optical retarder, the adhesive layer having a minimum adhesion strength of about 25 grams per inch.

21. The method of claim 20 further comprising

disposing a second optical retarder comprising a simultaneously biaxially oriented polymer film adjacent to the second surface of the linear polarizer; and

orienting a second axis of the second optical retarder at about a 45 degree angle to the polarization direction of the linear polarizer.

22. The method of claim 20 wherein the linear polarizer is a synthetic dichroic polarizer comprising a polyvinyl alcohol-iodine complex polarizer or an intrinsic polarizer.

23. The method of claim 20 wherein the simultaneously biaxially oriented polymer film comprises polyester.

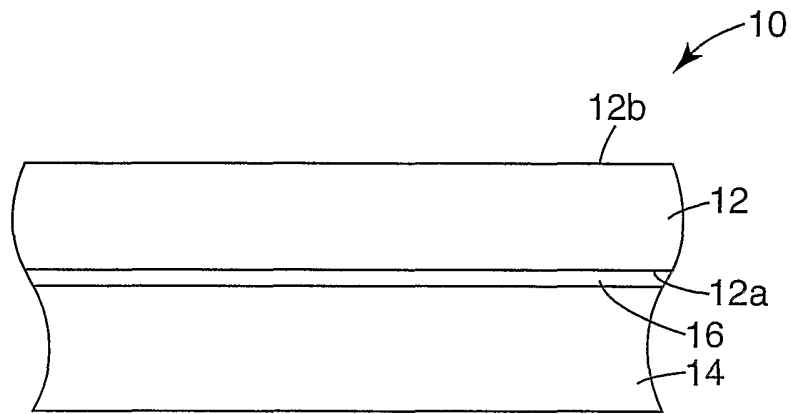
24. The method of claim 20 wherein the polarization direction is about 45 degrees relative to a machine direction of the linear polarizer.

25. An optical system comprising:

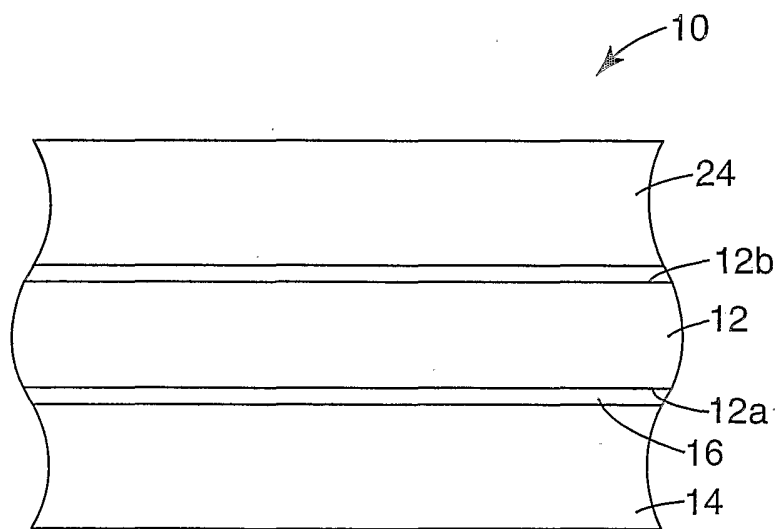
a polarized light source; and

a light polarizing film comprising a linear polarizer having a first surface and a second surface and having a polarization direction, an optical retarder comprising a simultaneously biaxially oriented polypropylene film disposed adjacent to the first surface of the linear polarizer and having an axis oriented at an angle to the polarization direction, and an adhesive layer disposed between the first surface of the linear polarizer and the optical retarder and having a minimum adhesion strength of about 25 grams per inch.

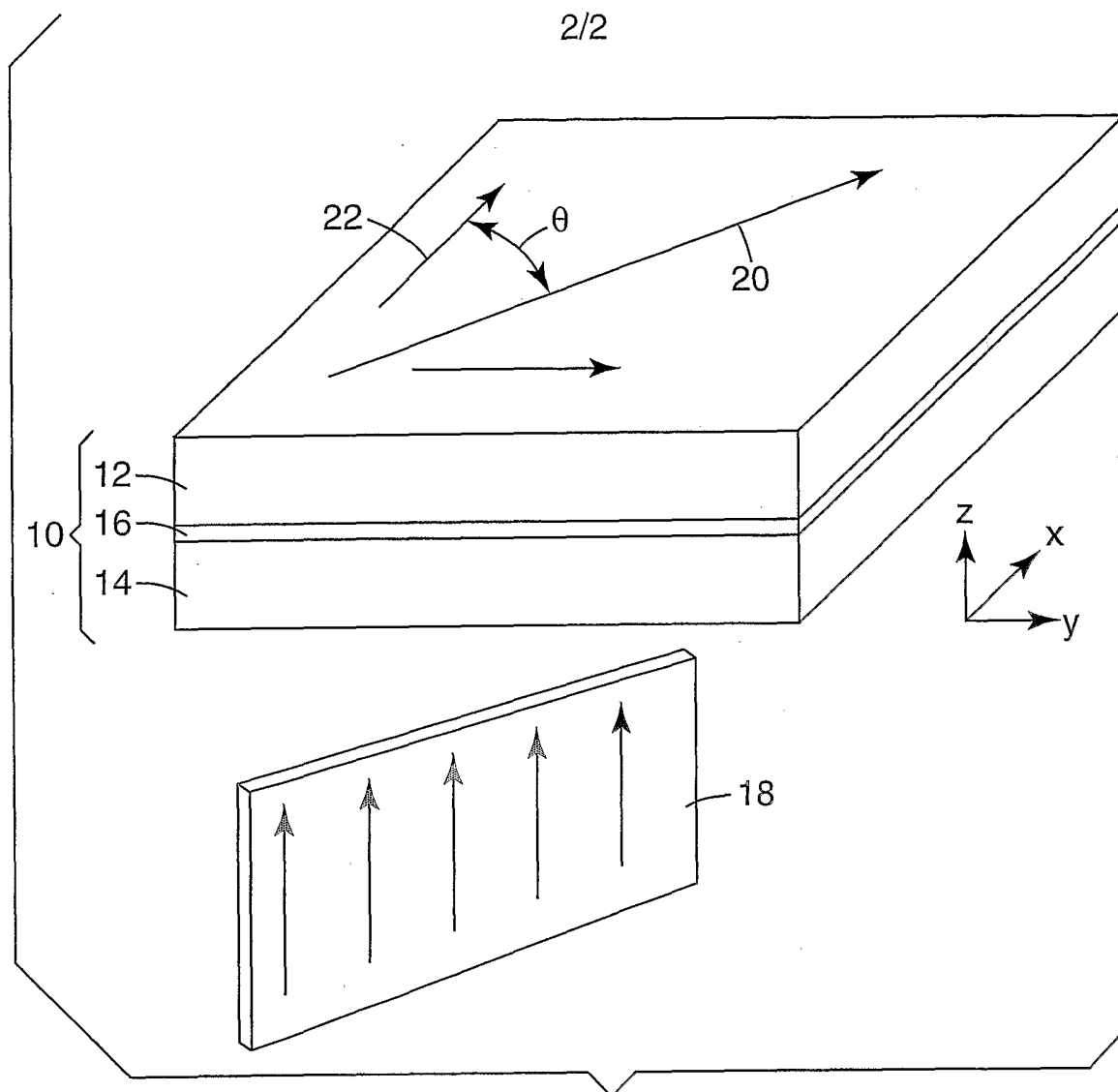
26. The optical system of claim 25 wherein the light polarizing film further comprises a second optical retarder comprising a simultaneously biaxially oriented polypropylene film disposed adjacent to the second surface of the linear polarizer and having a second axis oriented at an angle to the polarization direction.



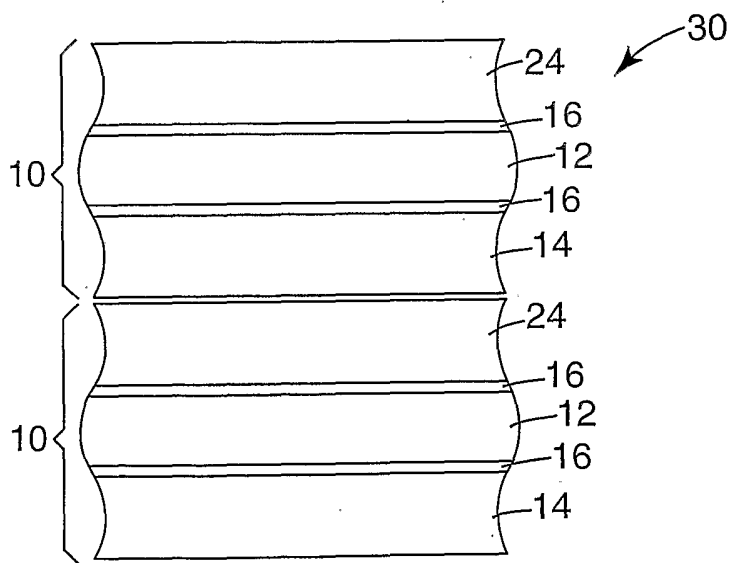
*Fig. 1*



*Fig. 3*



**Fig. 2**



**Fig. 4**

# INTERNATIONAL SEARCH REPORT

Internat. Application No
PCT/US 03/40498

**A. CLASSIFICATION OF SUBJECT MATTER**  
 IPC 7 G02B5/30 G02F1/13363

According to International Patent Classification (IPC) or to both national classification and IPC

**B. FIELDS SEARCHED**

Minimum documentation searched (classification system followed by classification symbols)  
 IPC 7 G02B G02F

Documentation searched other than minimum documentation to the extent that such documents are included in the fields searched

Electronic data base consulted during the international search (name of data base and, where practical, search terms used)

EPO-Internal

**C. DOCUMENTS CONSIDERED TO BE RELEVANT**

Category °	Citation of document, with indication, where appropriate, of the relevant passages	Relevant to claim No.
X Y	US 2002/054262 A1 (SAIKI YUUJI ET AL) 9 May 2002 (2002-05-09) paragraphs '0016!-'0019!', '0034! paragraphs '0040!', '0041! figure 2	1, 5-15, 17-25 16
X	--- EP 0 635 358 A (TEIJIN LTD) 25 January 1995 (1995-01-25) page 2, line 40 - line 49 page 3, line 51 - line 57 page 6, line 56 -page 7, line 11 figure 1 --- -/--	9, 10

Further documents are listed in the continuation of box C.

Patent family members are listed in annex.

° Special categories of cited documents :

- \*A\* document defining the general state of the art which is not considered to be of particular relevance
- \*E\* earlier document but published on or after the international filing date
- \*L\* document which may throw doubts on priority claim(s) or which is cited to establish the publication date of another citation or other special reason (as specified)
- \*O\* document referring to an oral disclosure, use, exhibition or other means
- \*P\* document published prior to the international filing date but later than the priority date claimed

- \*T\* later document published after the international filing date or priority date and not in conflict with the application but cited to understand the principle or theory underlying the invention
- \*X\* document of particular relevance; the claimed invention cannot be considered novel or cannot be considered to involve an inventive step when the document is taken alone
- \*Y\* document of particular relevance; the claimed invention cannot be considered to involve an inventive step when the document is combined with one or more other such documents, such combination being obvious to a person skilled in the art.
- \* & \* document member of the same patent family

Date of the actual completion of the international search

15 April 2004

Date of mailing of the international search report

27/04/2004

Name and mailing address of the ISA

European Patent Office, P.B. 5818 Patentlaan 2  
 NL - 2280 HV Rijswijk  
 Tel. (+31-70) 340-2040, Tx. 31 651 epo nl,  
 Fax: (+31-70) 340-3016

Authorized officer

von Hentig, R

INTERNATIONAL SEARCH REPORT

Internal Application No  
PCT/US 03/40498

C.(Continuation) DOCUMENTS CONSIDERED TO BE RELEVANT		
Category °	Citation of document, with indication, where appropriate, of the relevant passages	Relevant to claim No.
X	EP 0 881 510 A (NITTO DENKO CORP) 2 December 1998 (1998-12-02) page 8, line 18 - line 31 page 8, line 48 -page 9, line 4 page 9, line 28 - line 37 page 10, line 16 - line 22 figure 4 ---	1,2,8-10
X	US 5 882 774 A (JONZA JAMES M ET AL) 16 March 1999 (1999-03-16) column 5, line 28 - line 51 column 16, line 58 -column 17, line 10 column 11, line 5 - line 31 figure 11 ---	1,3,4,9, 10
X	US 2002/140882 A1 (MIHARA HISASHI ET AL) 3 October 2002 (2002-10-03) paragraphs '0004!', '0015!', '0025!'-'0028! paragraphs '0035!'-'0039! figure 1 ---	9-12,14, 15
X,P	WO 03/056368 A (SHIRATSUCHI KENTARO ;TAGUCHI KEIICHI (JP); FUJI PHOTO FILM CO LTD) 10 July 2003 (2003-07-10) page 21-22 page 45, line 5 - line 24 page 75, line 22 - line 24 ---	1,9,10
Y	US 5 666 223 A (KADABA NARENDRA S ET AL) 9 September 1997 (1997-09-09) column 8, line 54 -column 9, line 41 figure 3 -----	16

## INTERNATIONAL SEARCH REPORT

Information on patent family members

Internet Application No

PCT/US 03/40498

Patent document cited in search report		Publication date	Patent family member(s)	Publication date
US 2002054262	A1	09-05-2002	JP 2000321426 A	24-11-2000
EP 0635358	A	25-01-1995	DE 69421854 D1	05-01-2000
			DE 69421854 T2	27-07-2000
			EP 0635358 A1	25-01-1995
			JP 3320904 B2	03-09-2002
			JP 7101026 A	18-04-1995
			KR 217160 B1	01-09-1999
			US 5677024 A	14-10-1997
EP 0881510	A	02-12-1998	JP 11044816 A	16-02-1999
			EP 0881510 A2	02-12-1998
			TW 494258 B	11-07-2002
			US 6016177 A	18-01-2000
US 5882774	A	16-03-1999	AU 712765 B2	18-11-1999
			AU 4524296 A	10-07-1996
			AU 735678 B2	12-07-2001
			AU 4873599 A	11-11-1999
			BR 9510517 A	30-03-1999
			CA 2208234 A1	27-06-1996
			CN 1170382 A	14-01-1998
			EP 0799129 A2	08-10-1997
			JP 10511322 T	04-11-1998
			WO 9619347 A2	27-06-1996
			US 6117530 A	12-09-2000
			US 6296927 B1	02-10-2001
			US 2004043205 A1	04-03-2004
			US 2002061393 A1	23-05-2002
			US 5962114 A	05-10-1999
			US 5965247 A	12-10-1999
			US 2002031676 A1	14-03-2002
			AU 1866395 A	10-07-1995
			CA 2177714 A1	29-06-1995
			CN 1137772 A , B	11-12-1996
			DE 69423651 D1	27-04-2000
			DE 69423651 T2	21-09-2000
			EP 0735952 A1	09-10-1996
			EP 0962806 A2	08-12-1999
			EP 0962807 A2	08-12-1999
			JP 9506837 T	08-07-1997
			WO 9517303 A1	29-06-1995
			US 6096375 A	01-08-2000
			US 2003164914 A1	04-09-2003
			US 5828488 A	27-10-1998
			US 6025897 A	15-02-2000
			US 6543153 B1	08-04-2003
US 2002140882	A1	03-10-2002	JP 2002214438 A	31-07-2002
			CN 1367401 A	04-09-2002
WO 03056368	A	10-07-2003	JP 2003195036 A	09-07-2003
			JP 2003202569 A	18-07-2003
			JP 2003207624 A	25-07-2003
			WO 03056368 A1	10-07-2003
US 5666223	A	09-09-1997	AT 177212 T	15-03-1999
			CA 2207896 A1	12-06-1997

# INTERNATIONAL SEARCH REPORT

Information on patent family members

Internal Application No  
PCT/US 03/40498

Patent document cited in search report	Publication date	Patent family member(s)	Publication date
US 5666223	A	DE 69601621 D1	08-04-1999
		DE 69601621 T2	24-06-1999
		DK 807272 T3	27-09-1999
		EP 0807272 A1	19-11-1997
		ES 2130858 T3	01-07-1999
		JP 3001984 B2	24-01-2000
		JP 10508123 T	04-08-1998
		KR 241971 B1	01-02-2000
		WO 9721123 A1	12-06-1997

---