



US00D459727S

(12) **United States Design Patent** (10) **Patent No.:** **US D459,727 S**
Ashida (45) **Date of Patent:** **** Jul. 2, 2002**

(54) **CONTROLLER FOR ELECTRONIC GAME MACHINE**

(56) **References Cited**

(75) Inventor: **Kenichiro Ashida, Kyoto (JP)**
(73) Assignee: **Nintendo Co., Ltd. (JP)**
(**) Term: **14 Years**
(21) Appl. No.: **29/153,442**
(22) Filed: **Jan. 10, 2002**

U.S. PATENT DOCUMENTS

D375,326 S	11/1996	Yokoi et al.	
D397,162 S	8/1998	Yokoi et al.	
D415,752 S	* 10/1999	Tyler et al.	D14/401
D417,664 S	* 12/1999	Goto	D14/401
6,001,014 A	* 12/1999	Ogata et al.	463/37
6,001,015 A	* 12/1999	Nishiumi et al.	463/38
D424,047 S	* 5/2000	Chan	D14/401
6,171,191 B1	* 1/2001	Ogata et al.	273/148 B
6,231,444 B1	* 5/2001	Goto et al.	273/148 B

Related U.S. Application Data

(62) Division of application No. 29/136,652, filed on Feb. 6, 2001.

* cited by examiner

Primary Examiner—Prabhakar Deshmukh
(74) *Attorney, Agent, or Firm*—Nixon & Vanderhye P.C.

(30) **Foreign Application Priority Data**

Aug. 11, 2000 (JP)	2000-022425
Aug. 11, 2000 (JP)	2000-022427
Aug. 11, 2000 (JP)	2000-022428
Aug. 11, 2000 (JP)	2000-022429
Aug. 11, 2000 (JP)	2000-022430
Aug. 11, 2000 (JP)	2000-022431
Aug. 11, 2000 (JP)	2000-022432
Aug. 11, 2000 (JP)	2000-022433

(57) **CLAIM**

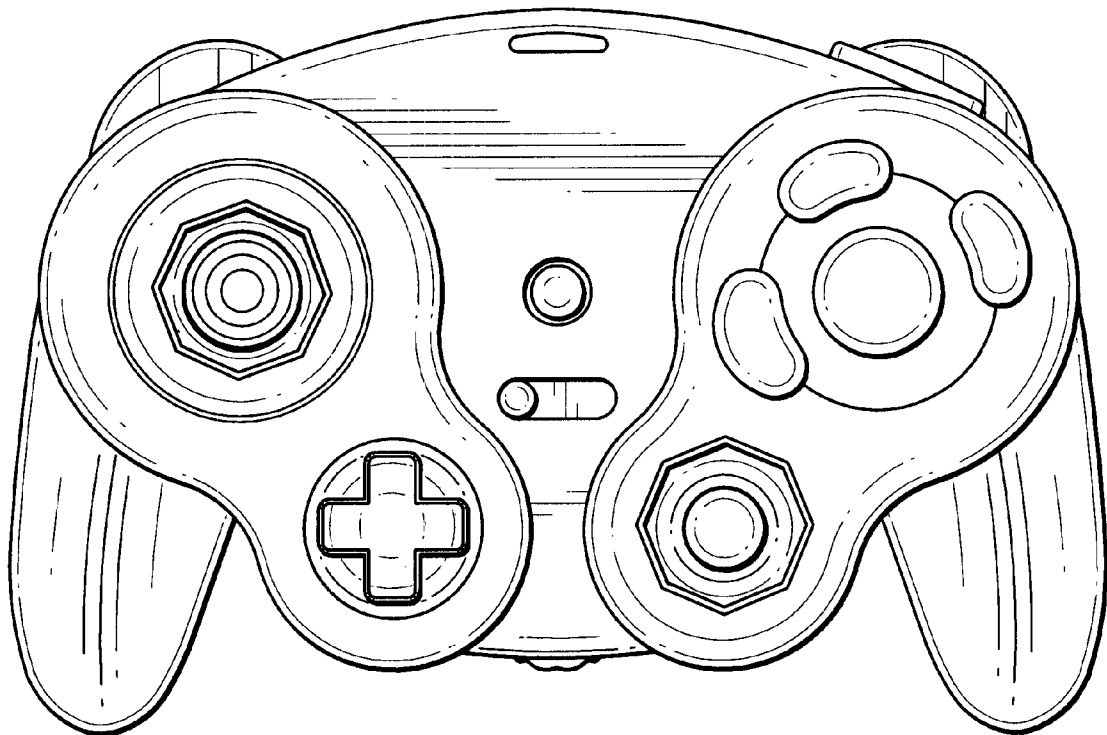
The ornamental design for a controller for electronic game machine, as shown and described.

(51) **LOC (7) Cl.** **14-02**
(52) **U.S. Cl.** **D14/401**
(58) **Field of Search** D14/400, 401,
D14/412-416; D21/324, 333; 273/148 B;
463/1, 37, 38, 40-47; 345/156-161, 905

DESCRIPTION

FIG. 1 is a front elevational view of a controller for electronic game machine showing my new design;
FIG. 2 is a rear elevational view thereof;
FIG. 3 is a top plan view thereof;
FIG. 4 is a bottom plan view thereof;
FIG. 5 is a left side view thereof; and,
FIG. 6 is a right side view thereof.

1 Claim, 3 Drawing Sheets



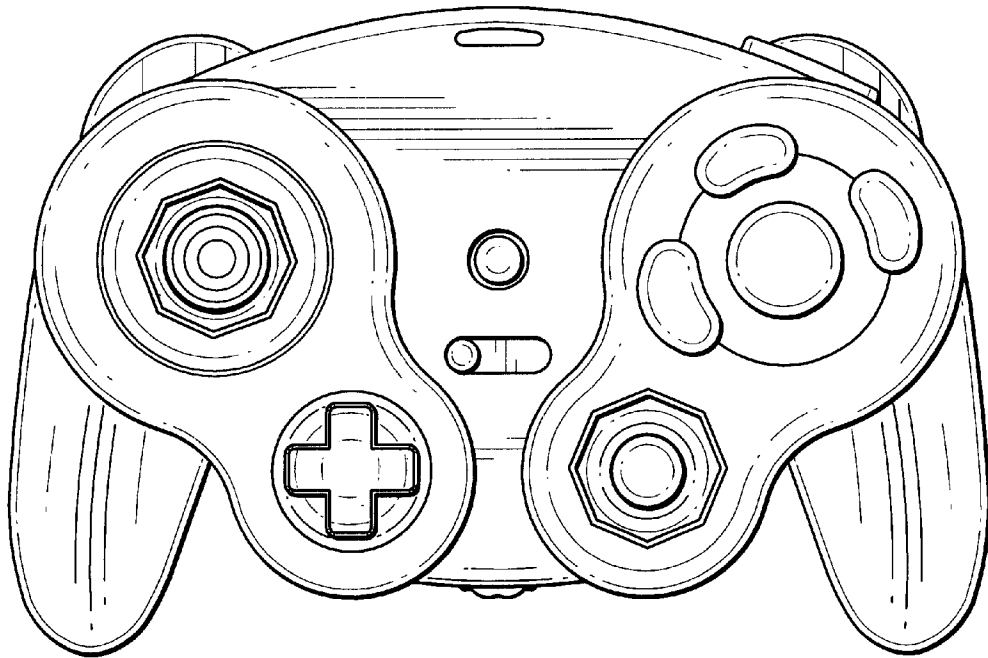


Fig. 1

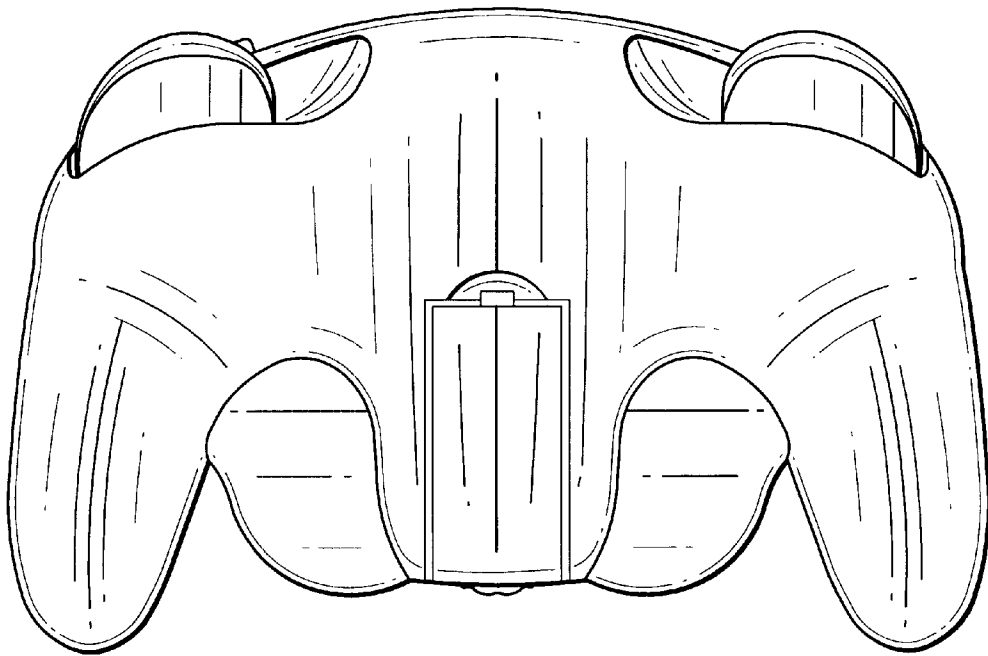


Fig. 2

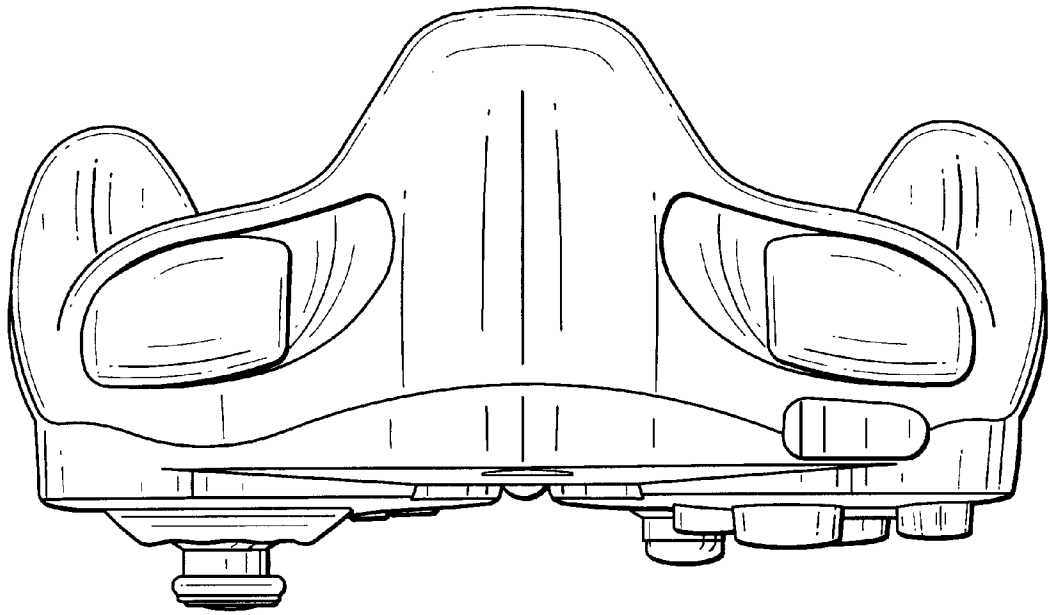


Fig. 3

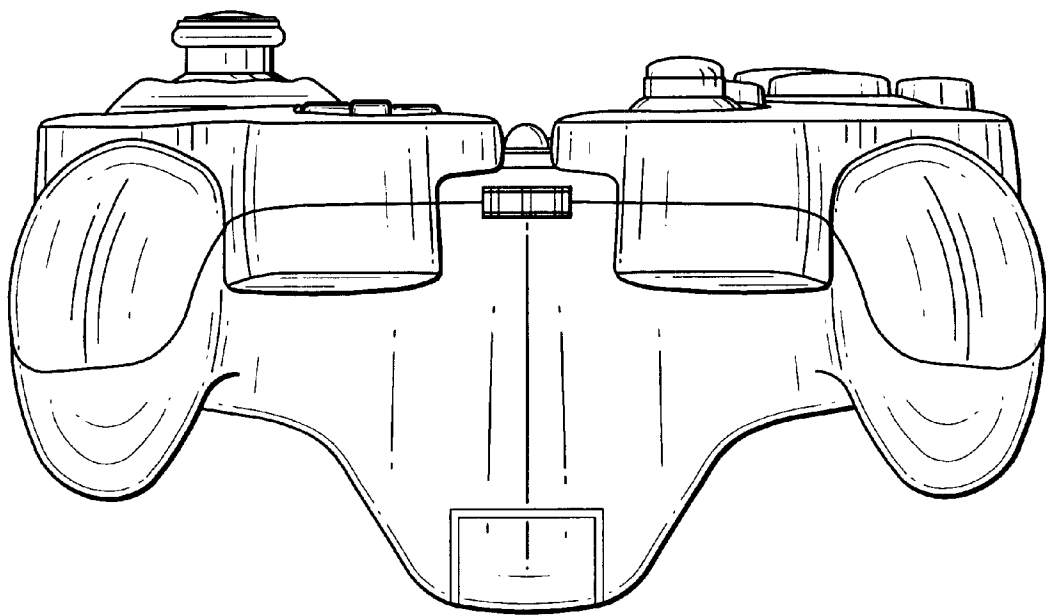


Fig. 4

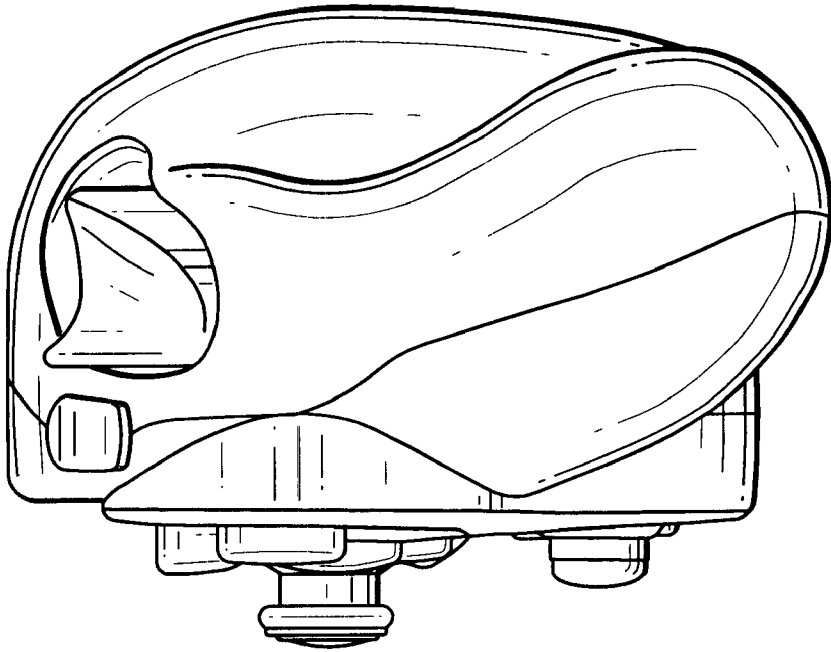


Fig. 6

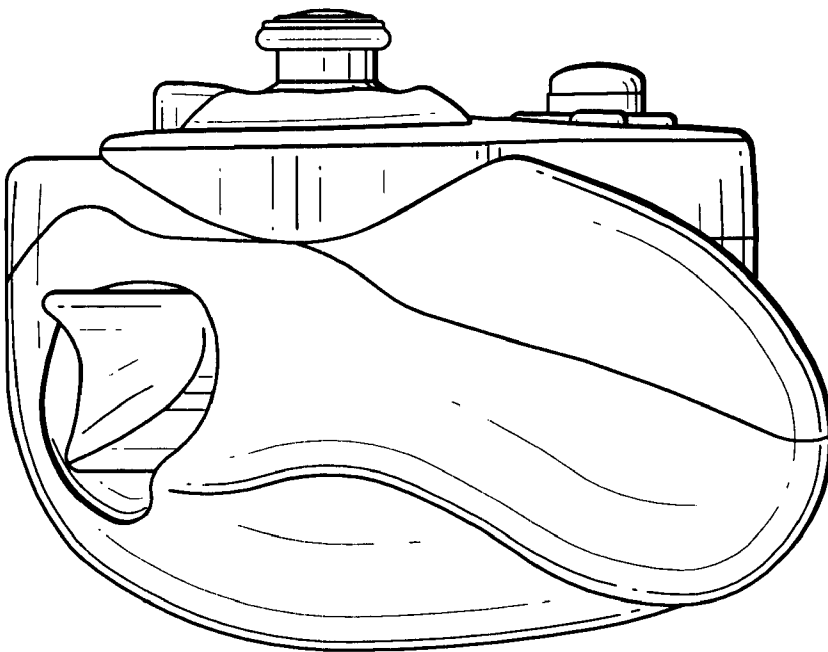


Fig. 5