

(19) World Intellectual Property Organization
International Bureau



(43) International Publication Date
20 September 2007 (20.09.2007)

PCT

(10) International Publication Number
WO 2007/106334 A3

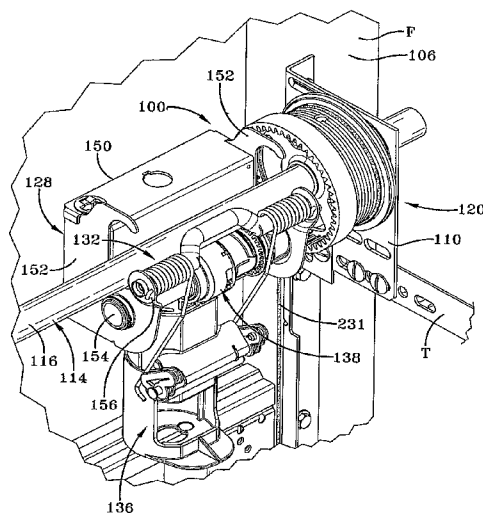
- (51) International Patent Classification:
E05F 15/16 (2006.01)
- (21) International Application Number:
PCT/US2007/005420
- (22) International Filing Date: 1 March 2007 (01.03.2007)
- (25) Filing Language: English
- (26) Publication Language: English
- (30) Priority Data:
11/375,837 14 March 2006 (14.03.2006) US
- (71) Applicant (for all designated States except US): WAYNE-DALTON CORP. [US/US]; One Door Drive P.O. Box 67, Mt. Hope, Ohio 44660 (US).

- (81) Designated States (unless otherwise indicated, for every kind of national protection available): AE, AG, AL, AM, AT, AU, AZ, BA, BB, BG, BR, BW, BY, BZ, CA, CH, CN, CO, CR, CU, CZ, DE, DK, DM, DZ, EC, EE, EG, ES, FI, GB, GD, GE, GH, GM, GT, HN, HR, HU, ID, IL, IN, IS, JP, KE, KG, KM, KN, KP, KR, KZ, LA, LC, LK, LR, LS, LT, LU, LY, MA, MD, MG, MK, MN, MW, MX, MY, MZ, NA, NG, NI, NO, NZ, OM, PG, PH, PL, PT, RO, RS, RU, SC, SD, SE, SG, SK, SL, SM, SV, SY, TJ, TM, TN, TR, TT, TZ, UA, UG, US, UZ, VC, VN, ZA, ZM, ZW.
- (84) Designated States (unless otherwise indicated, for every kind of regional protection available): ARIPO (BW, GH, GM, KE, LS, MW, MZ, NA, SD, SL, SZ, TZ, UG, ZM, ZW), Eurasian (AM, AZ, BY, KG, KZ, MD, RU, TJ, TM), European (AT, BE, BG, CH, CY, CZ, DE, DK, EE, ES, FI, FR, GB, GR, HU, IE, IS, IT, LT, LU, LV, MC, MT, NL, PL, PT, RO, SE, SI, SK, TR), OAPI (BF, BJ, CF, CG, CI, CM, GA, GN, GQ, GW, ML, MR, NE, SN, TD, TG).

- (72) Inventor; and
- (75) Inventor/Applicant (for US only): MULLET, Willis J. [US/US]; 515 Deer Point, Gulf Breeze, Florida 32561 (US).
- (74) Agents: MORTON, Andrew et al.; Renner, Kenner, Greive, Bobak, Taylor & Weber, Fourth Floor, First National Tower, Akron, OH 44308-1456 (US).

- Published:
 - with international search report
 - before the expiration of the time limit for amending the claims and to be republished in the event of receipt of amendments
- (88) Date of publication of the international search report:
26 June 2008

(54) Title: PIVOTING BARRIER OPERATOR SYSTEM WITH INTEGRAL CABLE STORAGE DRUM AND TRANSFER ASSEMBLY



(57) Abstract: An operator system for moving a barrier between limit positions, comprising an operator motor assembly (136) mounted proximate to the barrier, at least a portion of said operator motor assembly movable depending upon an operating condition thereof; a counterbalance system (114) adapted to be connected to the barrier, said counterbalance system coupled to said operator motor assembly to move the barrier; and an integral cable storage drum and transfer assembly (120) connecting said operator motor assembly (136) to said counterbalance system (114).

WO 2007/106334 A3

INTERNATIONAL SEARCH REPORT

International application No
PCT/US2007/005420

A. CLASSIFICATION OF SUBJECT MATTER INV. E05F15/16		
According to International Patent Classification (IPC) or to both national classification and IPC		
B. FIELDS SEARCHED		
Minimum documentation searched (classification system followed by classification symbols) E05F E05D		
Documentation searched other than minimum documentation to the extent that such documents are included in the fields searched		
Electronic data base consulted during the international search (name of data base and, where practical, search terms used) EPO-Internal		
C. DOCUMENTS CONSIDERED TO BE RELEVANT		
Category*	Citation of document, with indication, where appropriate, of the relevant passages	Relevant to claim No.
X	DE 20 2004 014167 U1 (WEIL LOTHAR [DE]) 13 January 2005 (2005-01-13)	1
Y	paragraph [0007] - paragraph [0008] figure 1	2-4,6
Y	----- EP 0 775 799 A (SIMU [FR]) 28 May 1997 (1997-05-28) column 3, line 42 - line 50 figure 1	2-4,6
X	US 3 695 332 A (BAHNSEN ERWIN B) 3 October 1972 (1972-10-03)	10,13,14
Y		11,12, 15,16
A	column 7, line 35 - column 8, line 27 figure 9	5
----- -/--		
<input checked="" type="checkbox"/> Further documents are listed in the continuation of Box C.		
<input checked="" type="checkbox"/> See patent family annex.		
* Special categories of cited documents :		
A document defining the general state of the art which is not considered to be of particular relevance *E* earlier document but published on or after the international filing date *L* document which may throw doubts on priority claim(s) or which is cited to establish the publication date of another citation or other special reason (as specified) *O* document referring to an oral disclosure, use, exhibition or other means *P* document published prior to the international filing date but later than the priority date claimed	*T* later document published after the international filing date or priority date and not in conflict with the application but cited to understand the principle or theory underlying the invention *X* document of particular relevance; the claimed invention cannot be considered novel or cannot be considered to involve an inventive step when the document is taken alone *Y* document of particular relevance; the claimed invention cannot be considered to involve an inventive step when the document is combined with one or more other such documents, such combination being obvious to a person skilled in the art. *&* document member of the same patent family	
Date of the actual completion of the international search <p style="text-align: center; font-weight: bold;">25 April 2008</p>	Date of mailing of the international search report <p style="text-align: center; font-weight: bold;">08/05/2008</p>	
Name and mailing address of the ISA/ European Patent Office, P.B. 5818 Patentlaan 2 NL - 2280 HV Rijswijk Tel. (+31-70) 340-2040, Tx. 31 651 epo nl, Fax: (+31-70) 340-3016	Authorized officer <p style="text-align: center; font-weight: bold;">Van Kessel, Jeroen</p>	

INTERNATIONAL SEARCH REPORT

International application No
PCT/US2007/005420

C(Continuation). DOCUMENTS CONSIDERED TO BE RELEVANT		
Category*	Citation of document, with indication, where appropriate, of the relevant passages	Relevant to claim No.
Y	US 2 314 015 A (PARSONS STUART W) 16 March 1943 (1943-03-16) page 1, right-hand column, line 30 - line 50 figure 2	11,12
Y	US 6 164 014 A (MCDOWELL ALLEN C [US] ET AL) 26 December 2000 (2000-12-26) column 7, line 39 - line 42 column 7, line 55 - line 63 figures 4,5	15,16
A	US 5 335 883 A (MAWER DANIEL W [US]) 9 August 1994 (1994-08-09) column 3, line 45 - column 4, line 40 figures 2-8	11,15,16

INTERNATIONAL SEARCH REPORT

Information on patent family members

International application No

PCT/US2007/005420

Patent document cited in search report	Publication date	Patent family member(s)	Publication date
DE 202004014167 U1	13-01-2005	NONE	
EP 0775799 A	28-05-1997	FR 2741662 A1	30-05-1997
US 3695332 A	03-10-1972	NONE	
US 2314015 A	16-03-1943	NONE	
US 6164014 A	26-12-2000	AU 6282899 A WO 0022270 A1	01-05-2000 20-04-2000
US 5335883 A	09-08-1994	CA 2104089 A1	24-08-1994