

(19) World Intellectual Property Organization
International Bureau



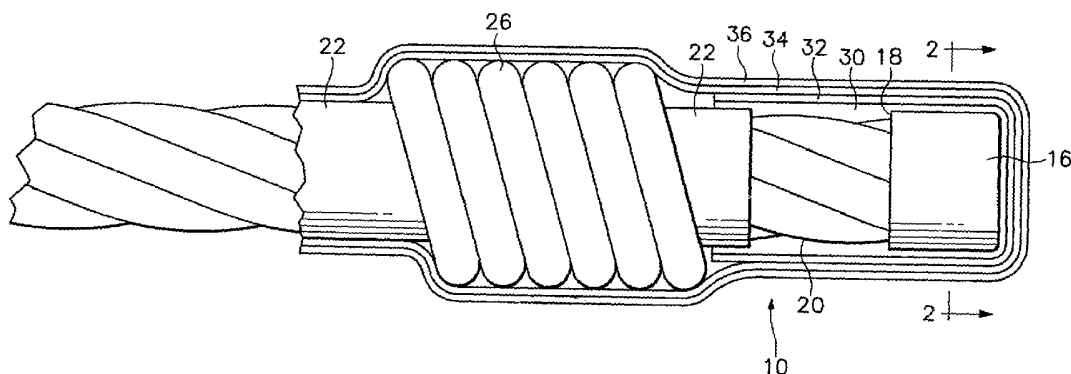
(43) International Publication Date
14 November 2002 (14.11.2002)

PCT

(10) International Publication Number
WO 02/089666 A3

- (51) International Patent Classification⁷: A61B 5/00, 5/04, 5/05
- (21) International Application Number: PCT/US02/14522
- (22) International Filing Date: 7 May 2002 (07.05.2002)
- (25) Filing Language: English
- (26) Publication Language: English
- (30) Priority Data:
09/851,668 8 May 2001 (08.05.2001) US
- (71) Applicant (for all designated States except US): ISENSE CORPORATION [US/US]; 16125 S.W. 72nd Avenue, Portland, OR 97224 (US).
- (72) Inventors; and
- (75) Inventors/Applicants (for US only): WARD, W., Kenneth [US/US]; 10155 S.W. Todd Street, Portland, OR 97225 (US). JANSEN, Lawrence, B. [US/US]; 2036 S.W. Vermont Avenue, Portland, OR 97219 (US). ANDERSON, Ellen, M. [US/US]; 21177 S.W. 90th Avenue, Tualatin, OR 97062 (US).
- (74) Agent: SIEGEL, Timothy, E.; 1868 Knapps Alley, Suite 206, West Linn, OR 97068-4644 (US).
- (81) Designated States (national): AE, AG, AL, AM, AT, AU, AZ, BA, BB, BG, BR, BY, BZ, CA, CH, CN, CO, CR, CU, CZ, DE, DK, DM, DZ, EC, EE, ES, FI, GB, GD, GE, GH, GM, HR, HU, ID, IL, IN, IS, JP, KE, KG, KP, KR, KZ, LC, LK, LR, LS, LT, LU, LV, MA, MD, MG, MK, MN, MW, MX, MZ, NO, NZ, PL, PT, RO, RU, SD, SE, SG, SI, SK, SL, TJ, TM, TR, TT, TZ, UA, UG, US, UZ, VN, YU, ZA, ZW.
- (84) Designated States (regional): ARIPO patent (GH, GM, KE, LS, MW, MZ, SD, SL, SZ, TZ, UG, ZM, ZW), Eurasian patent (AM, AZ, BY, KG, KZ, MD, RU, TJ, TM), European patent (AT, BE, CH, CY, DE, DK, ES, FI, FR, GB, GR, IE, IT, LU, MC, NL, PT, SE, TR), OAPI patent (BF, BJ, CF, CG, CI, CM, GA, GN, GQ, GW, ML, MR, NE, SN, TD, TG).
- Published:
— with international search report
- (88) Date of publication of the international search report:
12 December 2002
- For two-letter codes and other abbreviations, refer to the "Guidance Notes on Codes and Abbreviations" appearing at the beginning of each regular issue of the PCT Gazette.

(54) Title: IMPLANTABLE ANALYTE SENSOR



(57) Abstract: An insertable analyte needle sensor (10), comprising a set of fine wires (12) positioned together and a dielectric material (22) covering a substantial portion of the fine wires but defining an opening (18) filled with at least one partially permeable membrane (36). The wires (12) may be treated with a gas plasma to facilitate membrane adherence. One membrane layer (30) may comprise sulphonated polyethersulphone coated with silane.



WO 02/089666 A3

INTERNATIONAL SEARCH REPORT

International application No.

PCT/US02/14522

A. CLASSIFICATION OF SUBJECT MATTER IPC(7) : A61B 5/00, 5/04, 5/05 US CL : 600/309, 345, 347, 365, 377 According to International Patent Classification (IPC) or to both national classification and IPC		
B. FIELDS SEARCHED Minimum documentation searched (classification system followed by classification symbols) U.S. : 600/309, 345, 347, 365, 377 Documentation searched other than minimum documentation to the extent that such documents are included in the fields searched Electronic data base consulted during the international search (name of data base and, where practicable, search terms used)		
C. DOCUMENTS CONSIDERED TO BE RELEVANT		
Category *	Citation of document, with indication, where appropriate, of the relevant passages	Relevant to claim No.
Y	US 5,515,848 A (CORBETT, III et al) 14 May 1996 (14.05.1996), see entire document.	1-19
A	US 5,387,327 A (KHAN) 07 February 1995 (07.02.1995), see entire document.	1-19
A	US 5,165,407 A (WILSON et al) 24 November 1992 (24.11.1992), see entire document.	1-19
<input type="checkbox"/> Further documents are listed in the continuation of Box C.		<input type="checkbox"/> See patent family annex.
* Special categories of cited documents:	"T" later document published after the international filing date or priority date and not in conflict with the application but cited to understand the principle or theory underlying the invention	
"A" document defining the general state of the art which is not considered to be of particular relevance	"X" document of particular relevance; the claimed invention cannot be considered novel or cannot be considered to involve an inventive step when the document is taken alone	
"E" earlier application or patent published on or after the international filing date	"Y" document of particular relevance; the claimed invention cannot be considered to involve an inventive step when the document is combined with one or more other such documents, such combination being obvious to a person skilled in the art	
"L" document which may throw doubts on priority claim(s) or which is cited to establish the publication date of another citation or other special reason (as specified)	"&" document member of the same patent family	
"O" document referring to an oral disclosure, use, exhibition or other means		
"P" document published prior to the international filing date but later than the priority date claimed		
Date of the actual completion of the international search 15 July 2002 (15.07.2002)	Date of mailing of the international search report 09 SEP 2002	
Name and mailing address of the ISA/US Commissioner of Patents and Trademarks Box PCT Washington, D.C. 20231 Facsimile No. (703)305-3230	Authorized officer Steven J. Ganey <i>Diane Smith for</i> Telephone No. 703-308-2585	