



(12) **United States Design Patent**  
**Michael**

(10) **Patent No.:** **US D779,680 S**  
(45) **Date of Patent:** **\*\* Feb. 21, 2017**

(54) **PORTABLE ENCLOSURE FOR AN ELECTRIC SCOOTER**

(71) Applicant: **John P. Michael**, Montague, MI (US)

(72) Inventor: **John P. Michael**, Montague, MI (US)

(\*\*) Term: **14 Years**

(21) Appl. No.: **29/474,991**

(22) Filed: **Apr. 14, 2015**

(51) **LOC (10) Cl.** ..... **25-02**

(52) **U.S. Cl.**  
USPC ..... **D25/56**

(58) **Field of Classification Search**  
USPC .. D6/610, 611; D21/837, 838, 839; D25/32, D25/56; 135/124, 125, 147, 904, 909; 150/154, 158, 164-167; 296/78.1, 141; 403/217  
CPC ..... E04H 15/30; E04H 15/48; Y10T 403/44; Y10S 135/904; Y10S 135/909  
See application file for complete search history.

(56) **References Cited**

**U.S. PATENT DOCUMENTS**

2,789,863	A *	4/1957	Shimabukuro	.....	B62B 9/142	135/115
3,550,601	A *	12/1970	Peters	.....	E04B 1/3441	135/135
3,709,553	A	1/1973	Churchill et al.			
3,810,482	A *	5/1974	Beavers	.....	E04H 15/48	135/147
4,098,536	A *	7/1978	Mills	.....	B60J 11/00	135/117
4,285,354	A *	8/1981	Beavers	.....	E04H 15/30	135/120.3
4,773,694	A	9/1988	Gerber			
5,135,018	A *	8/1992	Anderson	.....	E04H 15/26	135/114
5,217,275	A *	6/1993	Ridge	.....	B60J 9/00	150/166
5,310,235	A	5/1994	Seymour et al.			

5,628,338	A *	5/1997	Stumbo	.....	E04H 15/40	135/147
D389,363	S *	1/1998	Robertson	.....	D6/610	
5,788,317	A *	8/1998	Nation	.....	B60J 5/0487	150/166
6,092,544	A *	7/2000	Zheng	.....	B60J 1/2091	135/115
6,279,986	B1	8/2001	Hinsperger			
D469,545	S *	1/2003	Omanson	.....	D25/56	
D476,518	S *	7/2003	Doppelt	.....	D6/610	
D481,887	S *	11/2003	Ellwanger	.....	D6/610	

(Continued)

**FOREIGN PATENT DOCUMENTS**

RU 00044635 \* 9/1998

*Primary Examiner* — Susan Bennett Hattan

*Assistant Examiner* — Leanne Was

(74) *Attorney, Agent, or Firm* — Suzanne Kikel

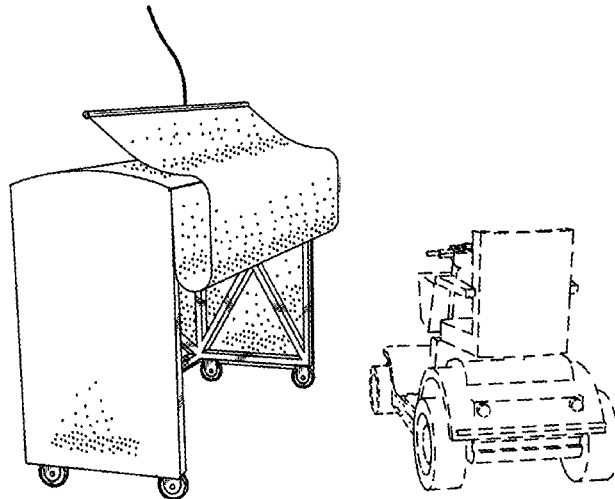
(57) **CLAIM**

The ornamental design for a portable enclosure for an electric scooter, as shown and described.

**DESCRIPTION**

FIG. 1 is a perspective view of a portable enclosure for an electric scooter with the front flap in an open position. FIG. 2 is a perspective view of the portable enclosure with the front flap in a closed position. FIG. 3 is a front elevational view thereof. FIG. 4 is a rear elevational view thereof. FIG. 5 is a right side elevational view thereof. FIG. 6 is a left side elevational view thereof. FIG. 7 is a bottom view thereof; and, FIG. 8 is a top view thereof. The broken line showing of the electric scooter in the figure depicts environmental subject matter that forms no part of the claimed design.

**1 Claim, 6 Drawing Sheets**



(56)

**References Cited**

U.S. PATENT DOCUMENTS

6,854,747	B2 *	2/2005	Erickson .....	B62B 5/0013	150/154
7,066,526	B2 *	6/2006	Weddington .....	B60J 7/102	296/105
D532,561	S *	11/2006	La Luzerne .....	D30/119	
D533,972	S *	12/2006	La Luzerne .....	D30/108	
7,320,332	B2 *	1/2008	Reis .....	E04H 15/44	135/115
7,921,863	B2 *	4/2011	Ways .....	E04H 15/34	135/125
7,958,904	B2 *	6/2011	Lau .....	A01M 31/025	135/147

\* cited by examiner

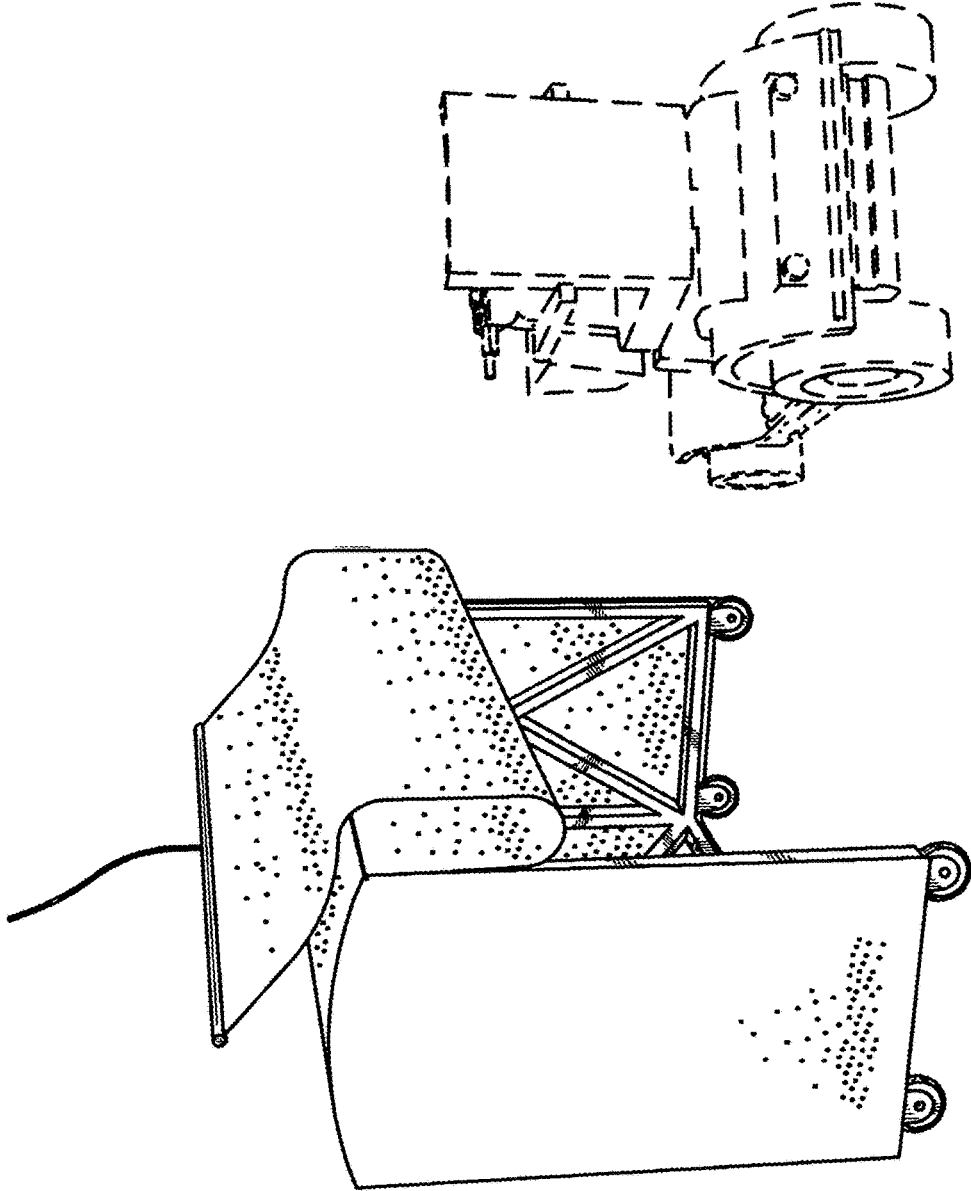


FIG.1

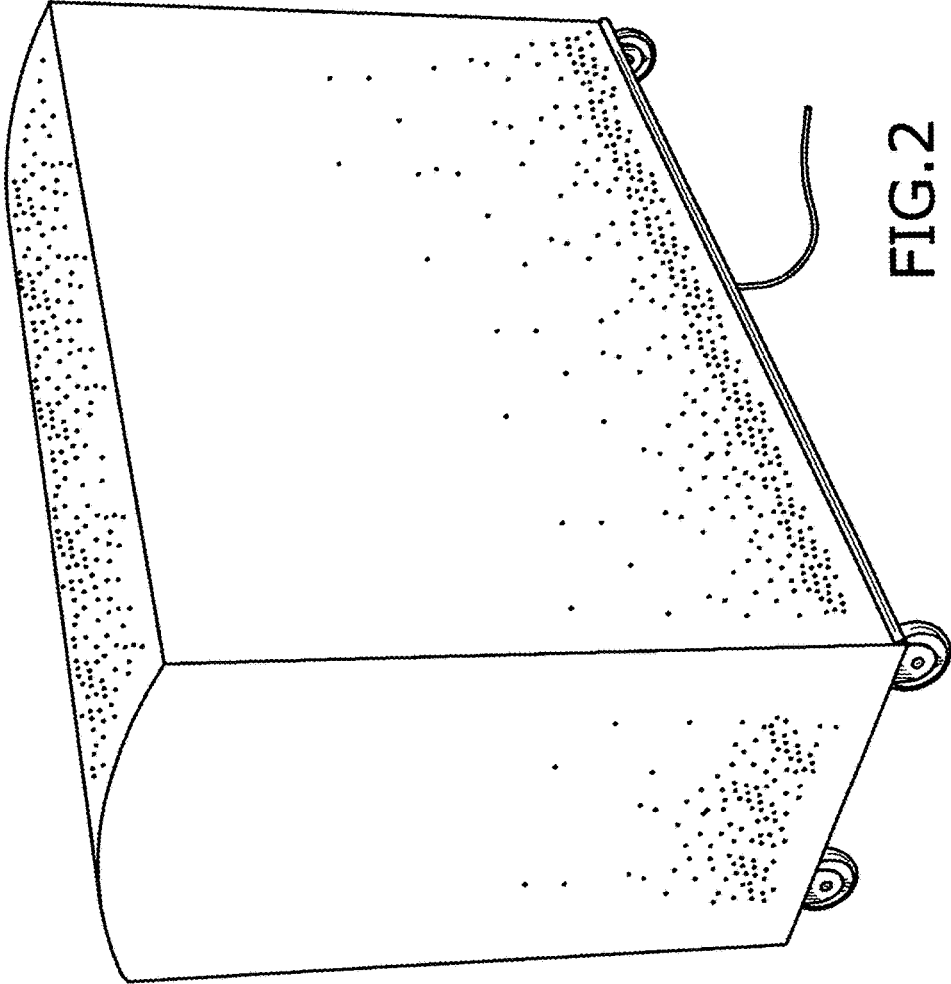


FIG. 2

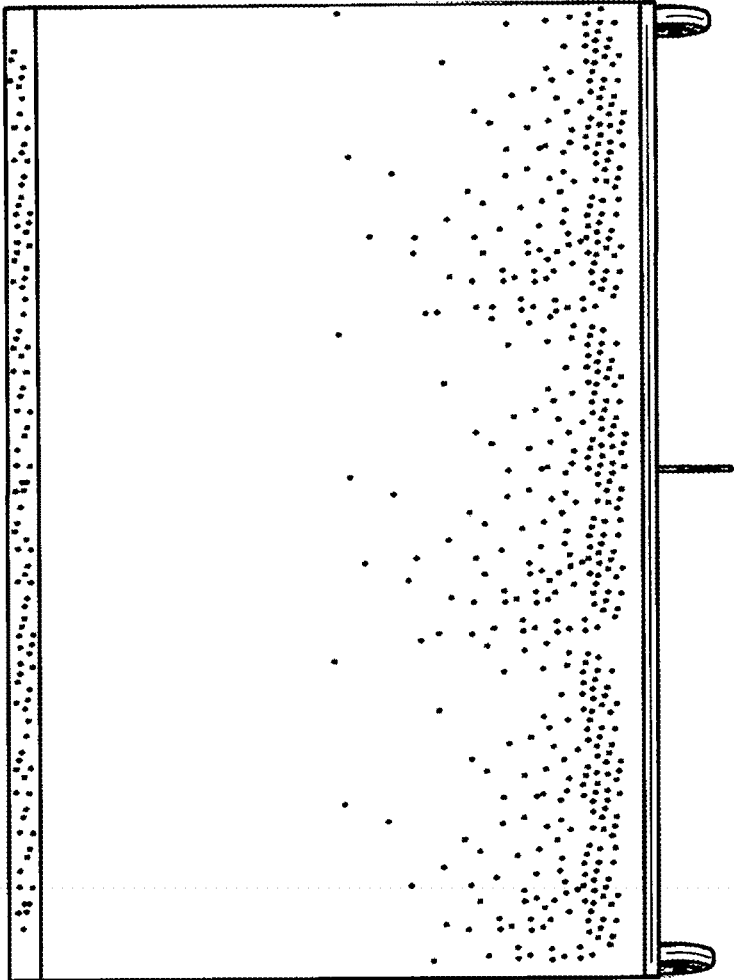


FIG. 3

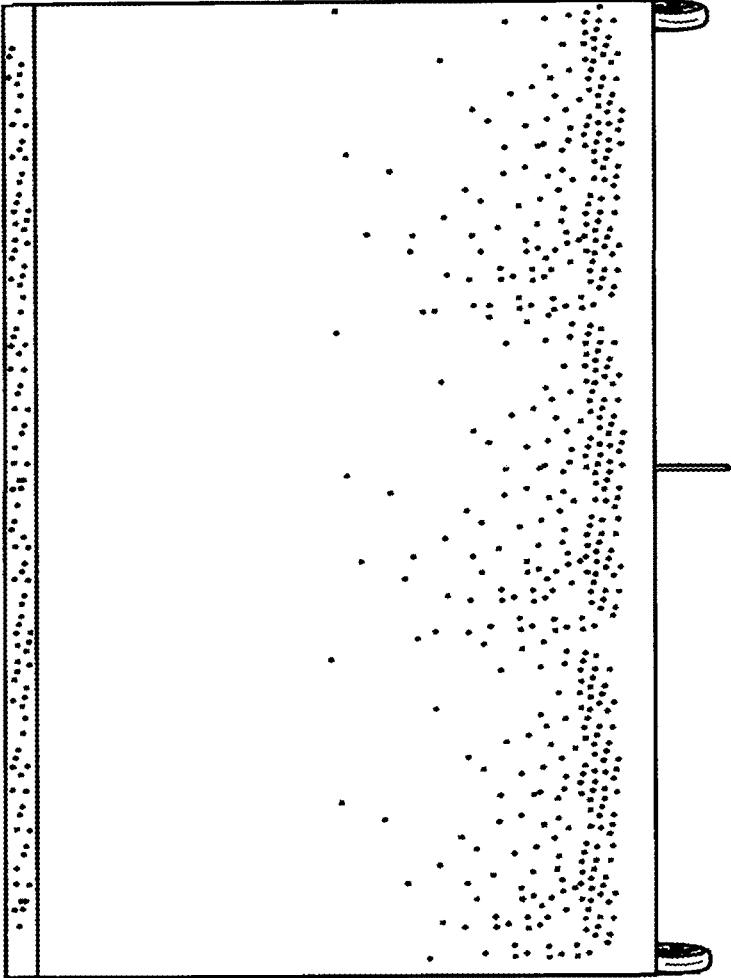


FIG.4

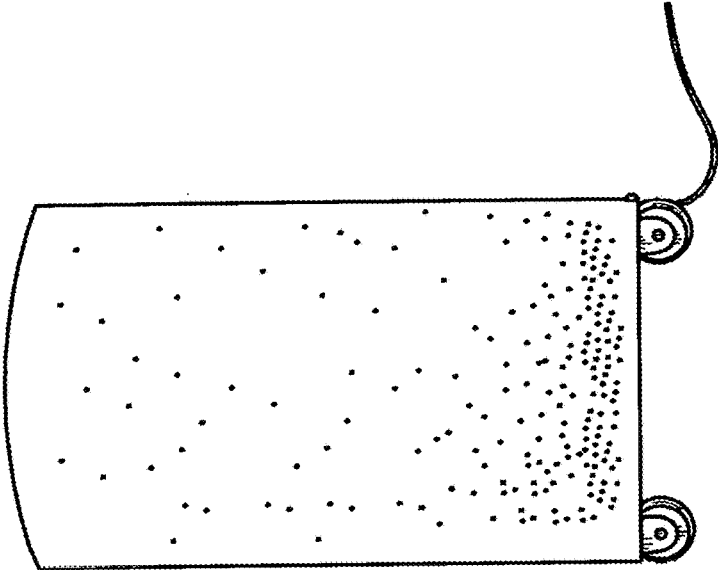


FIG. 5

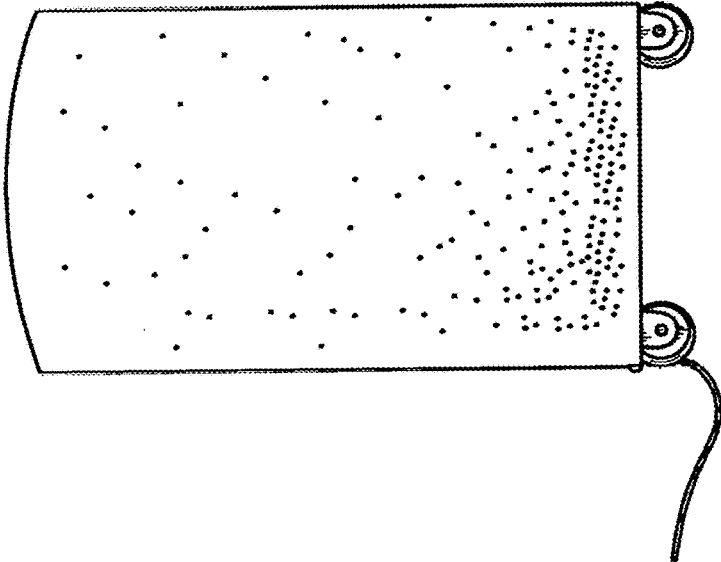


FIG. 6

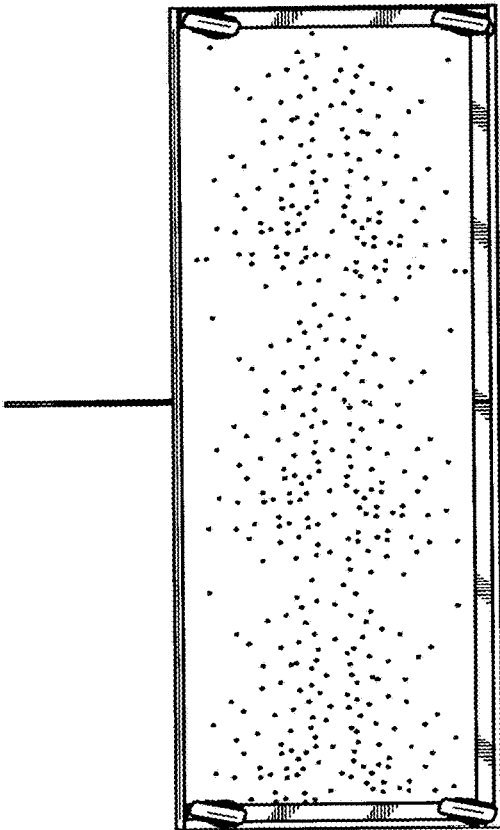


FIG. 7

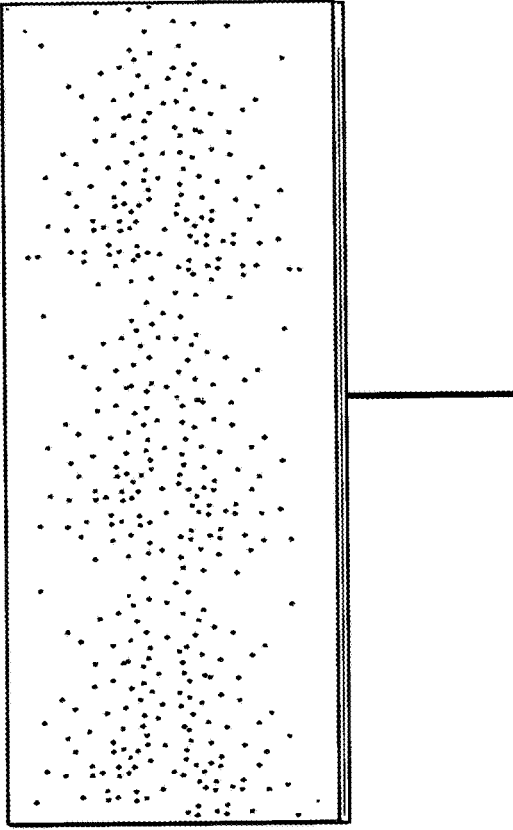


FIG. 8