

(19) World Intellectual Property Organization
International Bureau



(43) International Publication Date
12 March 2009 (12.03.2009)

PCT

(10) International Publication Number
WO 2009/031857 A3

- (51) International Patent Classification:
H01L 33/00 (2006.01)
- (21) International Application Number:
PCT/KR2008/005265
- (22) International Filing Date:
5 September 2008 (05.09.2008)
- (25) Filing Language: Korean
- (26) Publication Language: English
- (30) Priority Data:
10-2007-0090416
6 September 2007 (06.09.2007) KR

(71) Applicant (for all designated States except US): **LG INNOTEK CO., LTD** [KR/KR]; 33Fl., LG Twin Tower West, 20 Yeouido-dong, Yeongdeungpo-gu, Seoul 150-721 (KR).

(72) Inventors; and

(75) Inventors/Applicants (for US only): **PARK, Hyung Jo** [KR/KR]; 112-1405, Jungheung Apt., 628-1, Docheon-dong, Gwangsan-gu, Gwangju 506-301 (KR). **KANG, Dae Sung** [KR/KR]; 112-306, Biajungheung Apt., Docheon-dong, Gwangsan-gu, Gwangju 506-301 (KR). **SON, Hyo Kun** [KR/KR]; 204-111, Jungheung Apt., Singa-dong, Gwangsan-gu, Gwangju 506-796 (KR).

(74) Agent: **HAW, Yong Noke**; 6th Fl., Hyun Juk Bldg., 832-41 Yeoksam-dong, Gangnam-gu, Seoul 135-080 (KR).

(81) Designated States (unless otherwise indicated, for every kind of national protection available): AE, AG, AL, AM, AO, AT, AU, AZ, BA, BB, BG, BH, BR, BW, BY, BZ, CA, CH, CN, CO, CR, CU, CZ, DE, DK, DM, DO, DZ, EC, EE, EG, ES, FI, GB, GD, GE, GH, GM, GT, HN, HR, HU, ID, IL, IN, IS, JP, KE, KG, KM, KN, KP, KZ, LA, LC, LK, LR, LS, LT, LU, LY, MA, MD, ME, MG, MK, MN, MW, MX, MY, MZ, NA, NG, NI, NO, NZ, OM, PG, PH, PL, PT, RO, RS, RU, SC, SD, SE, SG, SK, SL, SM, ST, SV, SY, TJ, TM, TN, TR, TT, TZ, UA, UG, US, UZ, VC, VN, ZA, ZM, ZW.

(84) Designated States (unless otherwise indicated, for every kind of regional protection available): ARIPO (BW, GH, GM, KE, LS, MW, MZ, NA, SD, SL, SZ, TZ, UG, ZM, ZW), Eurasian (AM, AZ, BY, KG, KZ, MD, RU, TJ, TM), European (AT, BE, BG, CH, CY, CZ, DE, DK, EE, ES, FI, FR, GB, GR, HR, HU, IE, IS, IT, LT, LU, LV, MC, MT, NL, NO, PL, PT, RO, SE, SI, SK, TR), OAPI (BF, BJ, CF, CG, CI, CM, GA, GN, GQ, GW, ML, MR, NE, SN, TD, TG).

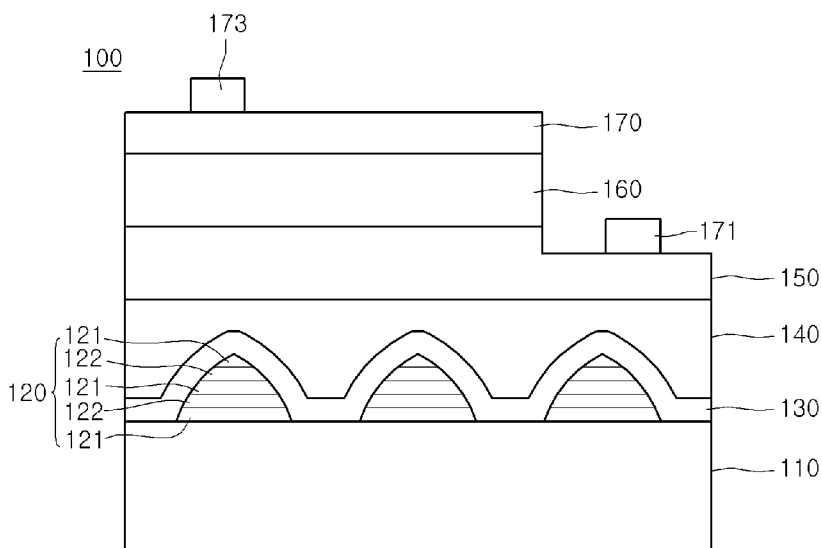
Published:

- with international search report
- before the expiration of the time limit for amending the claims and to be republished in the event of receipt of amendments

[Continued on next page]

(54) Title: SEMICONDUCTOR LIGHT EMITTING DEVICE AND METHOD OF FABRICATING THE SAME

[Fig. 1]



(57) Abstract: Provided are a semiconductor light emitting device and a method of fabricating the same. The semiconductor light emitting device comprises a multireflection layer comprising at least one of reflection layers of different refractive indices, a first conductive semiconductor layer on the multireflection layers, an active layer on the first conductive type semiconductor layer, and a second conductive type semiconductor layer on the active layer.

WO 2009/031857 A3



(88) Date of publication of the international search report:
7 May 2009

INTERNATIONAL SEARCH REPORT

International application No.
PCT/KR2008/005265**A. CLASSIFICATION OF SUBJECT MATTER****H01L 33/00(2006.01)i**

According to International Patent Classification (IPC) or to both national classification and IPC

B. FIELDS SEARCHED

Minimum documentation searched (classification system followed by classification symbols)

IPC 8 H01L 33/00

Documentation searched other than minimum documentation to the extent that such documents are included in the fields searched

Korean Utility models and applications for Utility models since 1975
Japanese Utility models and applications for Utility models since 1975

Electronic data base consulted during the international search (name of data base and, where practicable, search terms used)

eKIPASS(KIPO internal): LED, multi-reflection, refractive index

C. DOCUMENTS CONSIDERED TO BE RELEVANT

Category*	Citation of document, with indication, where appropriate, of the relevant passages	Relevant to claim No.
A	KR 10-2003-0093265 A (MITSUBISHI CABLE INDUSTRIES, LTD.) 06 December 2003 See abstract and figure 1	1-15
A	KR 10-2006-0086272 A (EPISTAR CO.) 31 July 2006 See abstract and figure 3	1-15
A	US 2006-0118803 A1 (LEE, JEONG-WOOK et al.) 08 June 2006 See abstract and figure 2	1-15
A	US 2005-0145873 A1 (PAN, SHYI-MING et al.) 07 July 2005 See abstract and figure 3f	1-15

 Further documents are listed in the continuation of Box C. See patent family annex.

* Special categories of cited documents:

"A" document defining the general state of the art which is not considered to be of particular relevance

"E" earlier application or patent but published on or after the international filing date

"L" document which may throw doubts on priority claim(s) or which is cited to establish the publication date of citation or other special reason (as specified)

"O" document referring to an oral disclosure, use, exhibition or other means

"P" document published prior to the international filing date but later than the priority date claimed

"T" later document published after the international filing date or priority date and not in conflict with the application but cited to understand the principle or theory underlying the invention

"X" document of particular relevance; the claimed invention cannot be considered novel or cannot be considered to involve an inventive step when the document is taken alone

"Y" document of particular relevance; the claimed invention cannot be considered to involve an inventive step when the document is combined with one or more other such documents, such combination being obvious to a person skilled in the art

"&" document member of the same patent family

Date of the actual completion of the international search

27 MARCH 2009 (27.03.2009)

Date of mailing of the international search report

27 MARCH 2009 (27.03.2009)

Name and mailing address of the ISA/KR

Korean Intellectual Property Office
Government Complex-Daejeon, 139 Seonsa-ro, Seo-
gu, Daejeon 302-701, Republic of Korea

Facsimile No. 82-42-472-7140

Authorized officer

PARK, Hye Lyun

Telephone No. 82-42-481-8362



INTERNATIONAL SEARCH REPORT

Information on patent family members

International application No.

PCT/KR2008/005265

Patent document cited in search report	Publication date	Patent family member(s)	Publication date
KR 10-2003-0093265 A	06.12.2003	CN 1284250 C	08.11.2006
		CN 1498427 A	19.05.2004
		CN 1945864 A	11.04.2007
		EP 1378949 A1	07.01.2004
		EP 1378949 A4	22.03.2006
		JP 2002-280609 A	27.09.2002
		JP 2002-280611 A	27.09.2002
		JP 3595276 B2	02.12.2004
		JP 3595277 B2	02.12.2004
		TW 536841 B	11.06.2003
		TW 536841 A	11.06.2003
		US 2004-0113166 A1	17.06.2004
		US 7053420 B2	30.05.2006
		WO 02-075821A1	26.09.2002
		KR 10-2006-0086272 A	31.07.2006
JP 2006-210916 A	10.08.2006		
US 7489068 B2	10.02.2009		
US 2006-0163595 A1	27.07.2006		
US 2006-0118803 A1	08.06.2006	JP 2006-165583 A	22.06.2006
		KR 10-2006-0064306 A	13.06.2006
US 2005-0145873 A1	07.07.2005	None	