



US00D346049S

United States Patent [19]

Iida

[11] Patent Number: Des. 346,049

[45] Date of Patent: ** Apr. 12, 1994

[54] BODY OF POWER BLOWER

4,792,286 12/1988 Gassen .
4,913,112 4/1990 Iida .

[75] Inventor: Yoshikazu Iida, Tokyo, Japan

[73] Assignee: Kioritz Corporation, Tokyo, Japan

[**] Term: 14 Years

[21] Appl. No.: 914,695

[22] Filed: Jul. 20, 1992

[30] Foreign Application Priority Data

Jan. 24, 1992 [JP] Japan 4-1423

[52] U.S. Cl. D32/15

[58] Field of Search 15/316.1, 318.1, 344,
15/405; 131/235.1, 256; D32/15, 17, 21

[56] References Cited

U.S. PATENT DOCUMENTS

- D. 258,908 4/1981 Satoh .
- D. 266,587 10/1982 Satoh .
- D. 286,927 11/1986 Aiyama .
- D. 307,655 5/1990 Hinklin et al. D32/15
- D. 310,437 9/1990 Gierke et al. D32/15
- 4,318,203 3/1982 Satoh et al. .
- 4,325,163 4/1982 Mattson et al. .
- 4,517,939 5/1985 Kiyooka .
- 4,644,606 2/1987 Luerken et al. .

OTHER PUBLICATIONS

Hardware Age, vol. 220, Dec. 1983, p. 472, 1984 Paramount Power Blower, Model PB-150.
Weed Eater Blower/Vac., Jul. 1985, Model 940.

Primary Examiner—Bernard Ansher
Assistant Examiner—Sandra Morris
Attorney, Agent, or Firm—Stevens, Davis, Miller & Mosher

[57] CLAIM

The ornamental design for a body of power blower, as shown.

DESCRIPTION

FIG. 1 is a front elevational view of a body of power blower showing my new design;
FIG. 2 is a rear elevational view;
FIG. 3 is a left side elevational view;
FIG. 4 is a right side elevational view;
FIG. 5 is a top plan view;
FIG. 6 is a bottom plan view;
FIG. 7 is a front, top and left side perspective view and,
FIG. 8 is a front, bottom and right side perspective view.

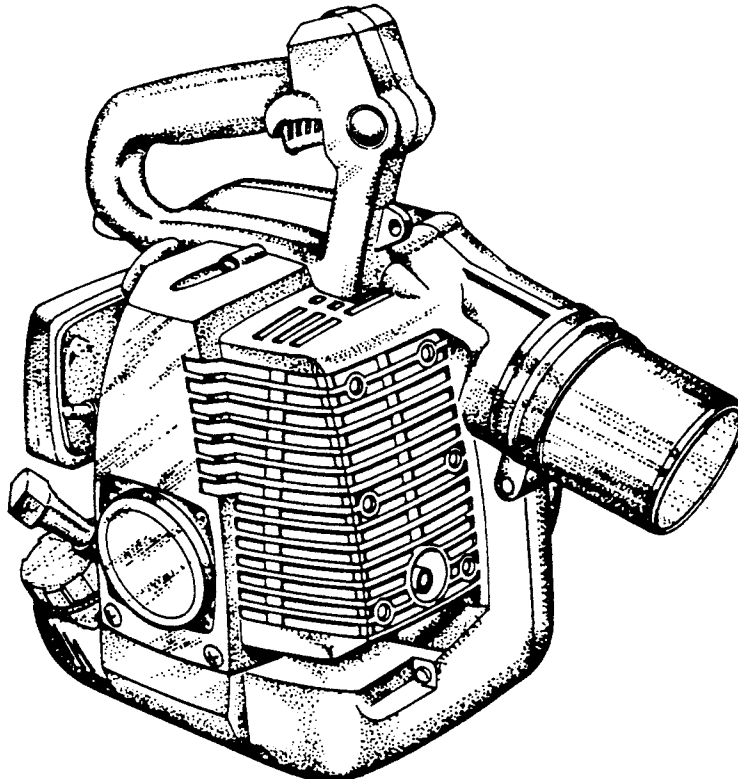


FIG. 1

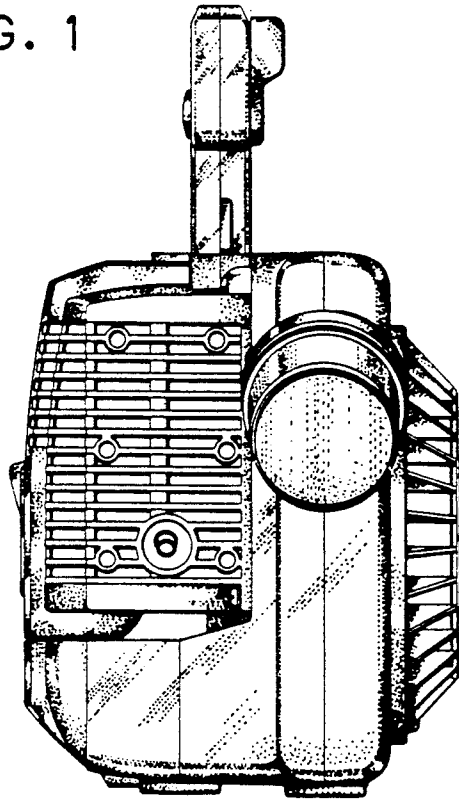


FIG. 2

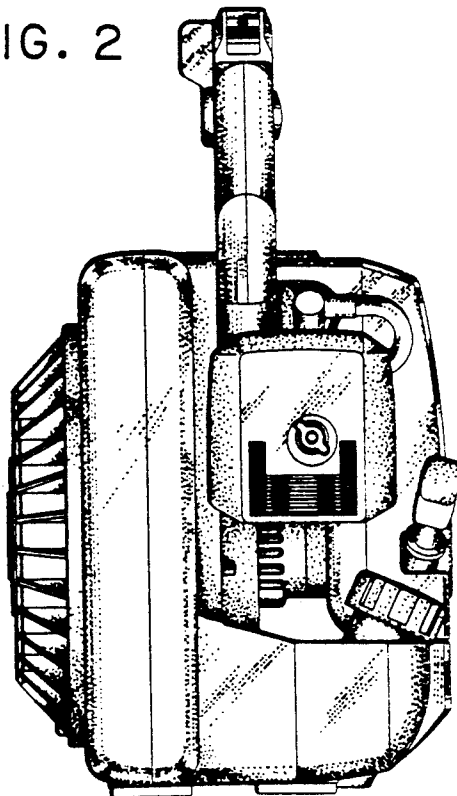


FIG. 3

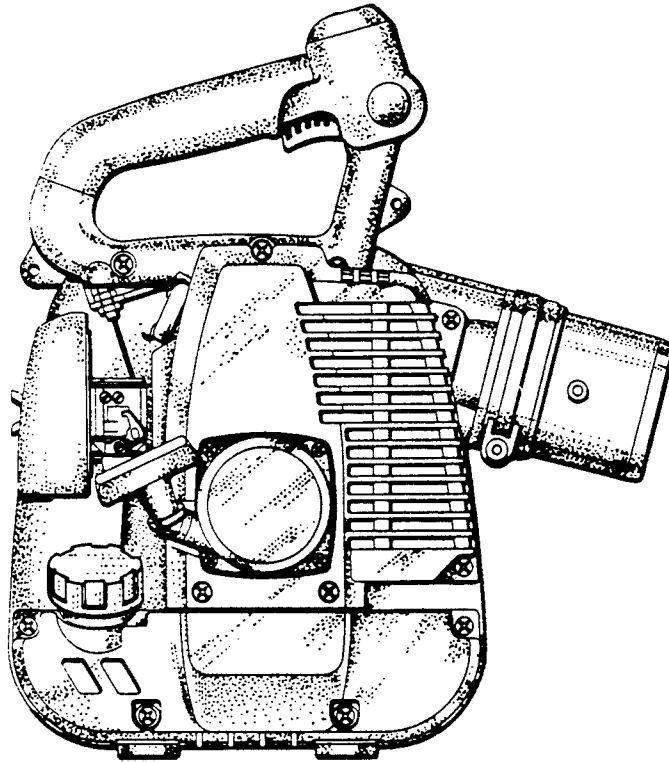


FIG. 4

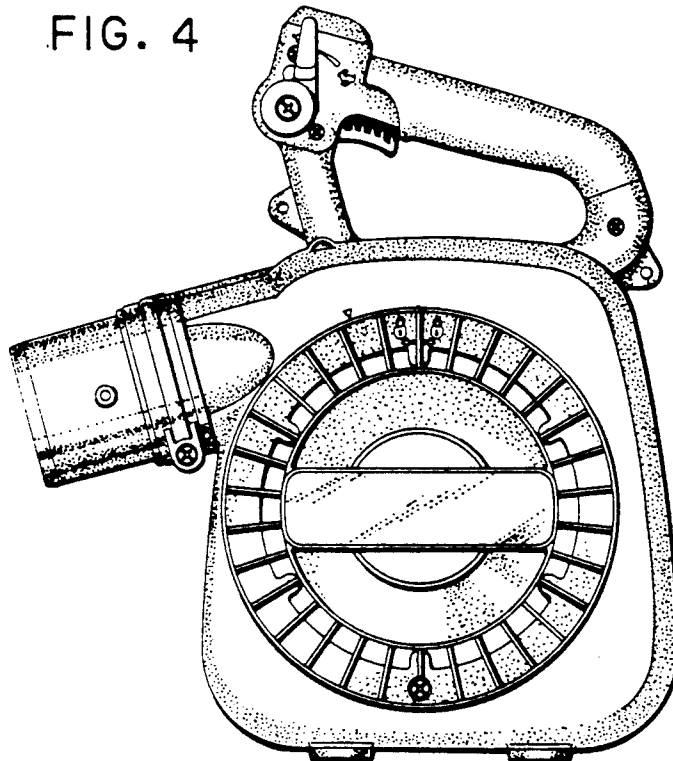


FIG. 5

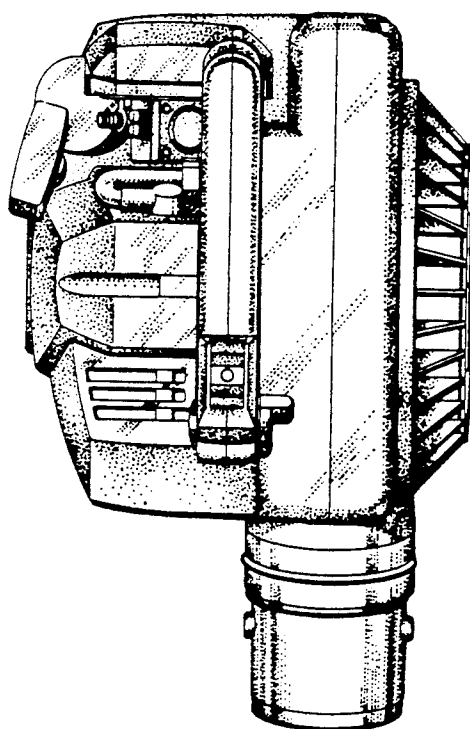


FIG. 6

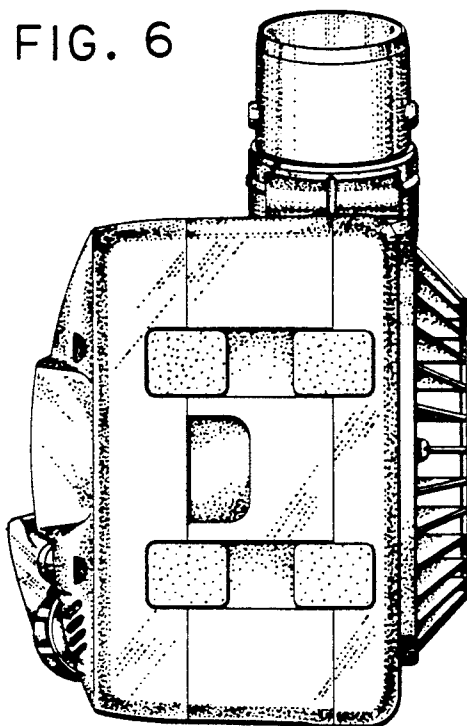


FIG. 7

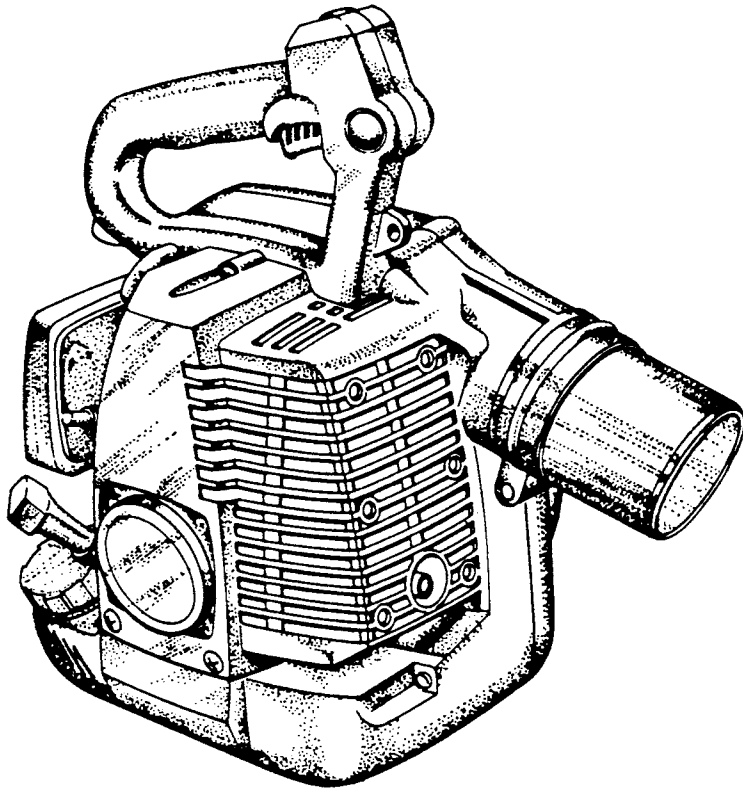


FIG. 8

