



US00D719986S

(12) **United States Design Patent**  
**Kim et al.**

(10) **Patent No.:** **US D719,986 S**

(45) **Date of Patent:** **\*\* Dec. 23, 2014**

(54) **TRAY**

(71) Applicant: **Samsung Electronics Co., Ltd.**,  
Suwon-Si, Gyeonggi-Do (KR)  
  
(72) Inventors: **Hyun soo Kim**, Sungnam-si (KR);  
**Jang-Won Kim**, Seoul (KR); **Young**  
**min Park**, Seoul (KR); **Jong Hyub Lee**,  
Seoul (KR); **Min hyouk Boo**, Seoul  
(KR)

(73) Assignee: **Samsung Electronics Co., Ltd.**,  
Gyeonggi-do (KR)

(\*\*) Term: **14 Years**

(21) Appl. No.: **29/464,195**

(22) Filed: **Aug. 14, 2013**

(30) **Foreign Application Priority Data**

Feb. 15, 2013 (KR) ..... 30-2013-0008078

(51) **LOC (10) Cl.** ..... **15-07**

(52) **U.S. Cl.**  
USPC ..... **D15/89**

(58) **Field of Classification Search**  
USPC ..... D15/79-90; 62/440-445, 467, 377,  
62/246-255, 275, 331, 337, 344;  
312/112-119, 236, 400-409, 138.1,  
312/139.2, 329

See application file for complete search history.

(56) **References Cited**

U.S. PATENT DOCUMENTS

D505,140	S	*	5/2005	Reed et al.	.....	D15/89
D512,731	S	*	12/2005	Grobleben	.....	D15/89
D523,034	S	*	6/2006	Vardon	.....	D15/89
D525,269	S	*	7/2006	Vardon	.....	D15/89
D562,854	S	*	2/2008	Vardon	.....	D15/89
D631,491	S	*	1/2011	Kristiansen et al.	.....	D15/86
D660,327	S	*	5/2012	Doberstein et al.	.....	D15/89
D678,366	S	*	3/2013	Harris	.....	D15/90
D695,796	S	*	12/2013	Lee et al.	.....	D15/89

\* cited by examiner

*Primary Examiner* — Stella Reid

*Assistant Examiner* — Khawaja Anwar

(74) *Attorney, Agent, or Firm* — Harness, Dickey & Pierce

(57) **CLAIM**

The ornamental design for a tray, as shown and described.

**DESCRIPTION**

FIG. 1 is the front perspective view of a tray showing our new design;

FIG. 2 is a front view thereof;

FIG. 3 is a rear view thereof;

FIG. 4 is a left-side view thereof;

FIG. 5 is a right-side view thereof;

FIG. 6 is a top plan view thereof;

FIG. 7 is a bottom plan view thereof;

FIG. 8 is a perspective view of the tray, in use condition; and, FIG. 9 is an exploded perspective view of the tray.

The broken lines shown in FIG. 8 represent unclaimed environment only and form no part of the claimed design.

**1 Claim, 7 Drawing Sheets**

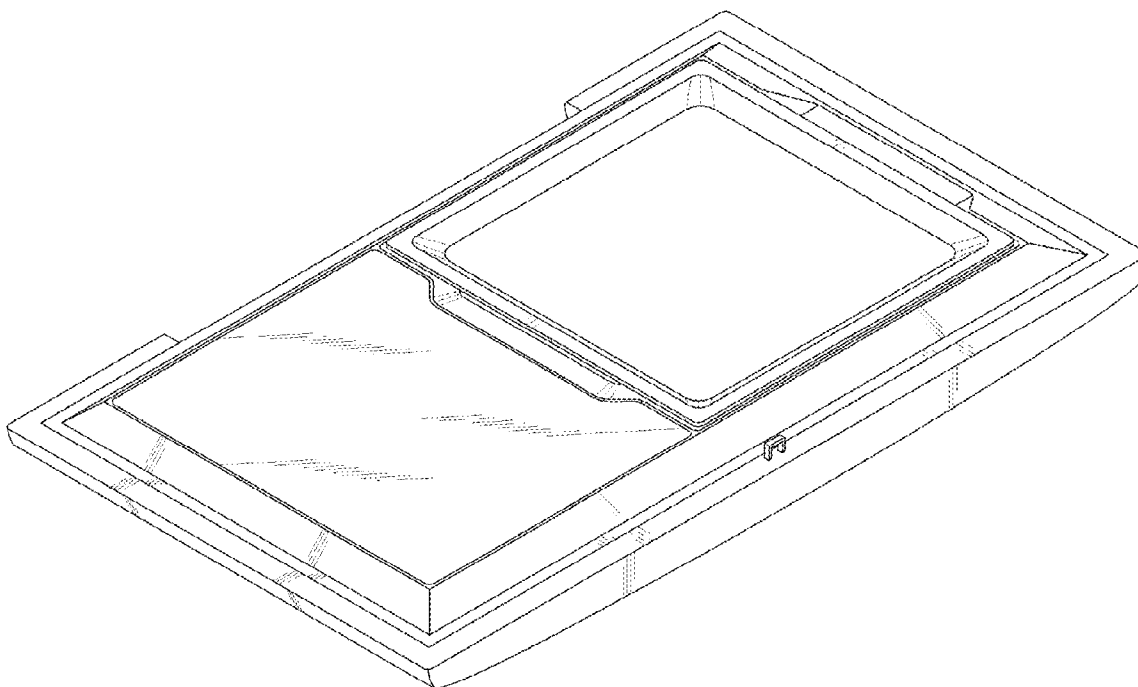


FIG. 1

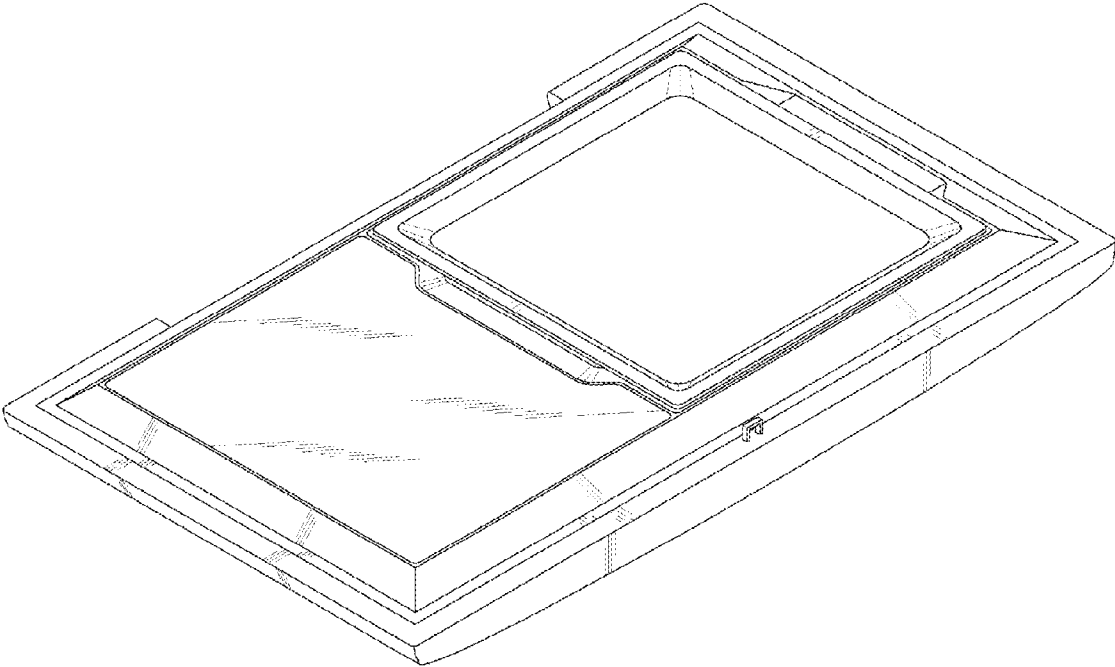


FIG. 2

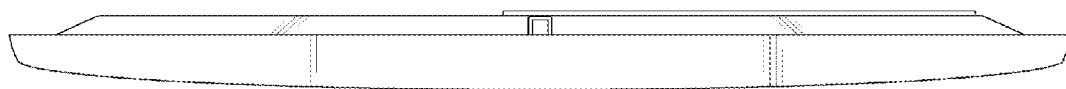
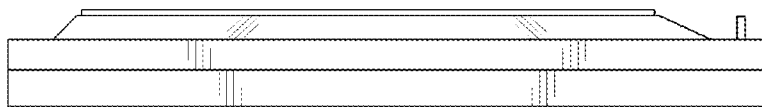


FIG. 3



**FIG. 4**



**FIG. 5**

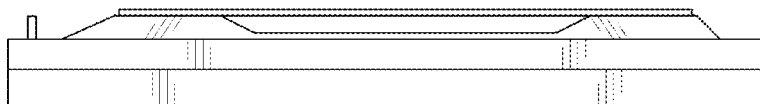
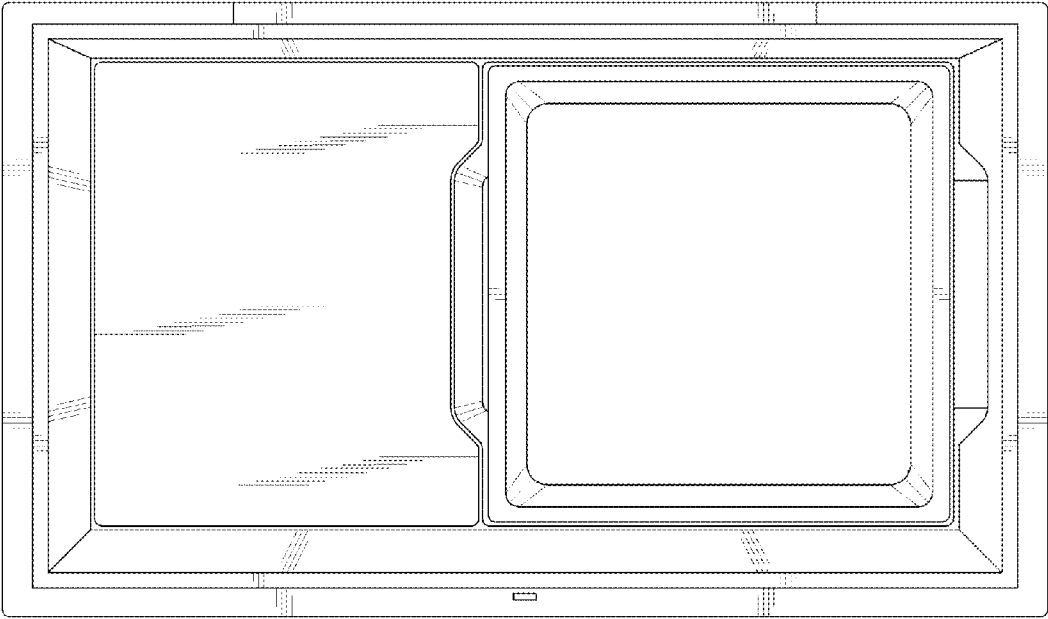
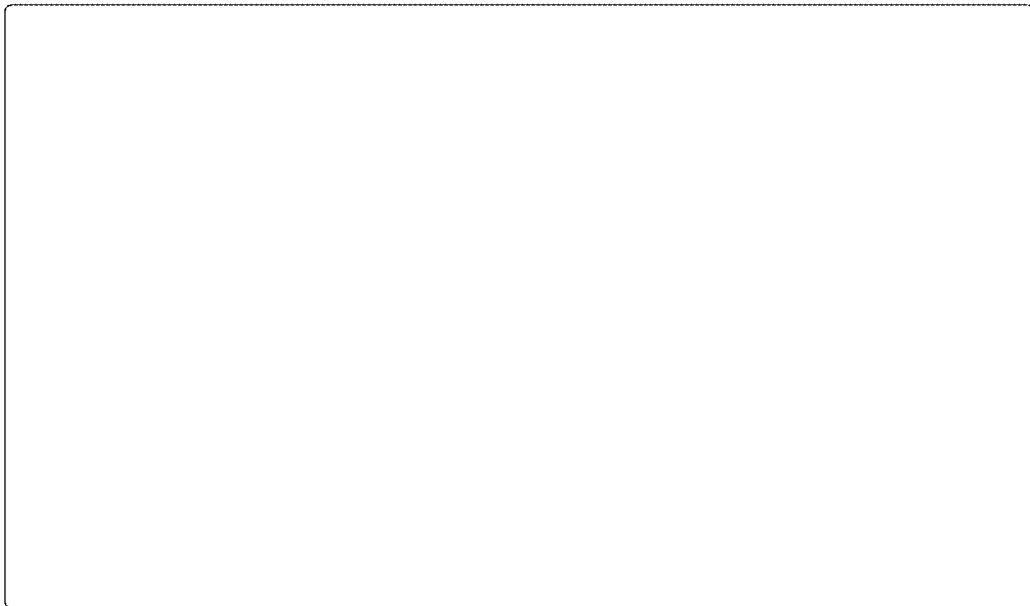


FIG. 6



**FIG. 7**



**FIG. 8**

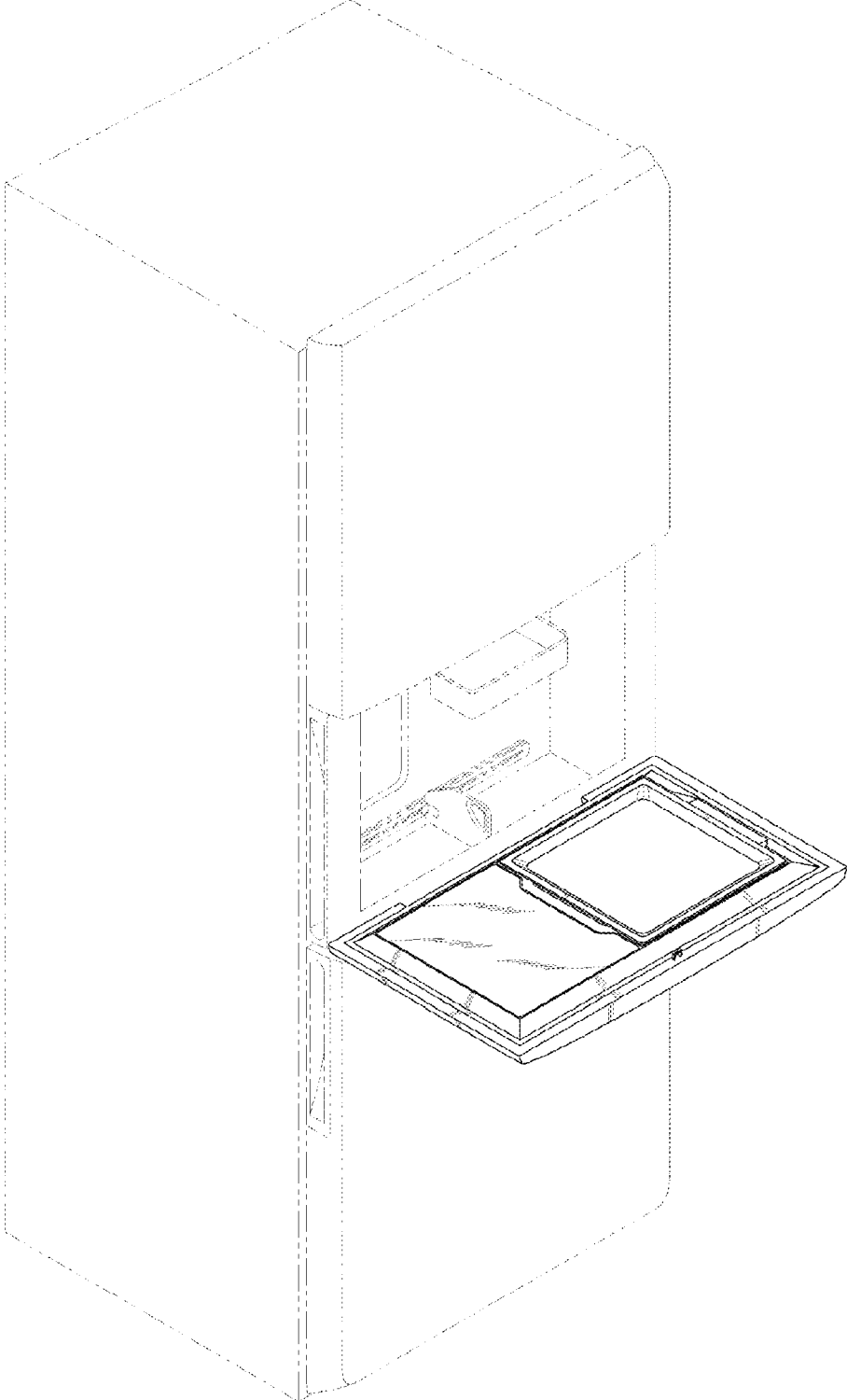


FIG. 9

