



US00D372583S

United States Patent [19] Brightbill

[11] Patent Number: **Des. 372,583**

[45] Date of Patent: ****Aug. 13, 1996**

[54] **STORAGE BASKET**

[75] Inventor: **Keith Brightbill**, Wooster, Ohio

[73] Assignee: **Rubbermaid Incorporated**, Wooster, Ohio

[**] Term: **14 Years**

[21] Appl. No.: **27,053**

[22] Filed: **Aug. 12, 1994**

[52] U.S. Cl. **D3/314**; D3/312

[58] Field of Search D3/304, 307-314;
D9/424, 425, 432; 206/503, 506, 509, 511,
518, 557; 220/913, 676, 607; D32/55

[56] **References Cited**

U.S. PATENT DOCUMENTS

- D. 246,872 1/1978 White .
- D. 258,721 3/1981 Steeg .
- D. 275,918 10/1984 Taylor .
- D. 292,634 11/1987 Chabot .
- D. 300,488 4/1989 Yoshikawa .
- D. 301,076 5/1989 Yoshikawa .
- D. 302,066 7/1989 Yoshikawa .
- D. 302,774 8/1989 Murphy .
- D. 307,348 4/1990 Yoshikawa .
- D. 326,345 5/1992 Mandell et al. .
- D. 328,425 8/1992 Brightbill .
- D. 330,329 10/1992 Brightbill .
- D. 330,963 11/1992 Hampshire .
- D. 336,698 6/1993 Conaway et al. D3/307
- D. 339,436 9/1993 Craft et al. .
- D. 342,609 12/1993 Brightbill .
- D. 348,345 6/1994 Yoshikawa .
- D. 348,346 6/1994 Yoshikawa .
- D. 349,813 8/1994 Schwartzkopf .
- 4,760,921 8/1988 Licari .
- 4,770,300 9/1988 Klein 206/506

OTHER PUBLICATIONS

Catalog page, Stack'n roll and cart; Manufacturer and address unknown Publication date 1993.

Catalog page, Storage bins and crates; Sterilite Corporation, P.O. Box 524, Main Street, Townsend, Massachusetts. Publication date 1990.

Catalog page, Storage bins and crates; Sterilite Corporation, P.O. Box 524, Main Street, Townsend, Massachusetts. Publication date 1990.

Page 13, Stack and store bins; Max Klein, Baraboo, Wisconsin 53913. Published at least as early as 1990.

Catalog page, Storage bin; Tucker Housewares, 340 Central Street, Leominster, Massachusetts. Published at least as early as 1991.

Page 15, Laundry basket; Curver, Takkebijsters 75, Postbus 6810, 4802 HV Breda, The Netherlands. Publication date 1991.

Catalog page, Storage containers, Rubbermaid Incorporated, 1147 Akron Road, Wooster, Ohio 44691. Publication date 1991.

Catalog page, Pop-up box; Rubbermaid Incorporated, 1147 Akron Road, Wooster, Ohio 44691. Publication date 1991.

Page 20, Stackable bins; Rubbermaid Incorporated, 1147 Akron Road, Wooster, Ohio 44691. Publication date 1986.

Catalog page, Baskets with covers and bins; Tucker Housewares, 340 Central Street, Leominster, Massachusetts. Publication date April, 1991.

Primary Examiner—B. J. Bullock

Assistant Examiner—Richelle Shelton

Attorney, Agent, or Firm—Richard B. O'Planick; Lisa B. Riedesel

[57] **CLAIM**

The ornamental design for a storage basket, as shown and described.

DESCRIPTION

FIG. 1 is a top right front perspective view of a storage basket showing my new design;

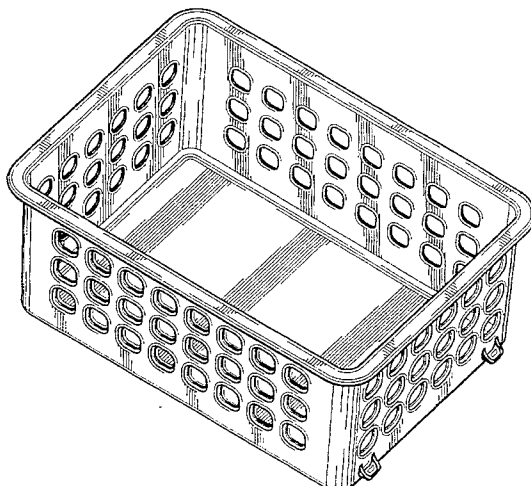
FIG. 2 is a front elevational view thereof, the rear elevational view being a mirror image;

FIG. 3 is a right side elevational view thereof, the left side elevational view being a mirror image;

FIG. 4 is a top plan view thereof; and,

FIG. 5 is a bottom plan view thereof.

1 Claim, 5 Drawing Sheets



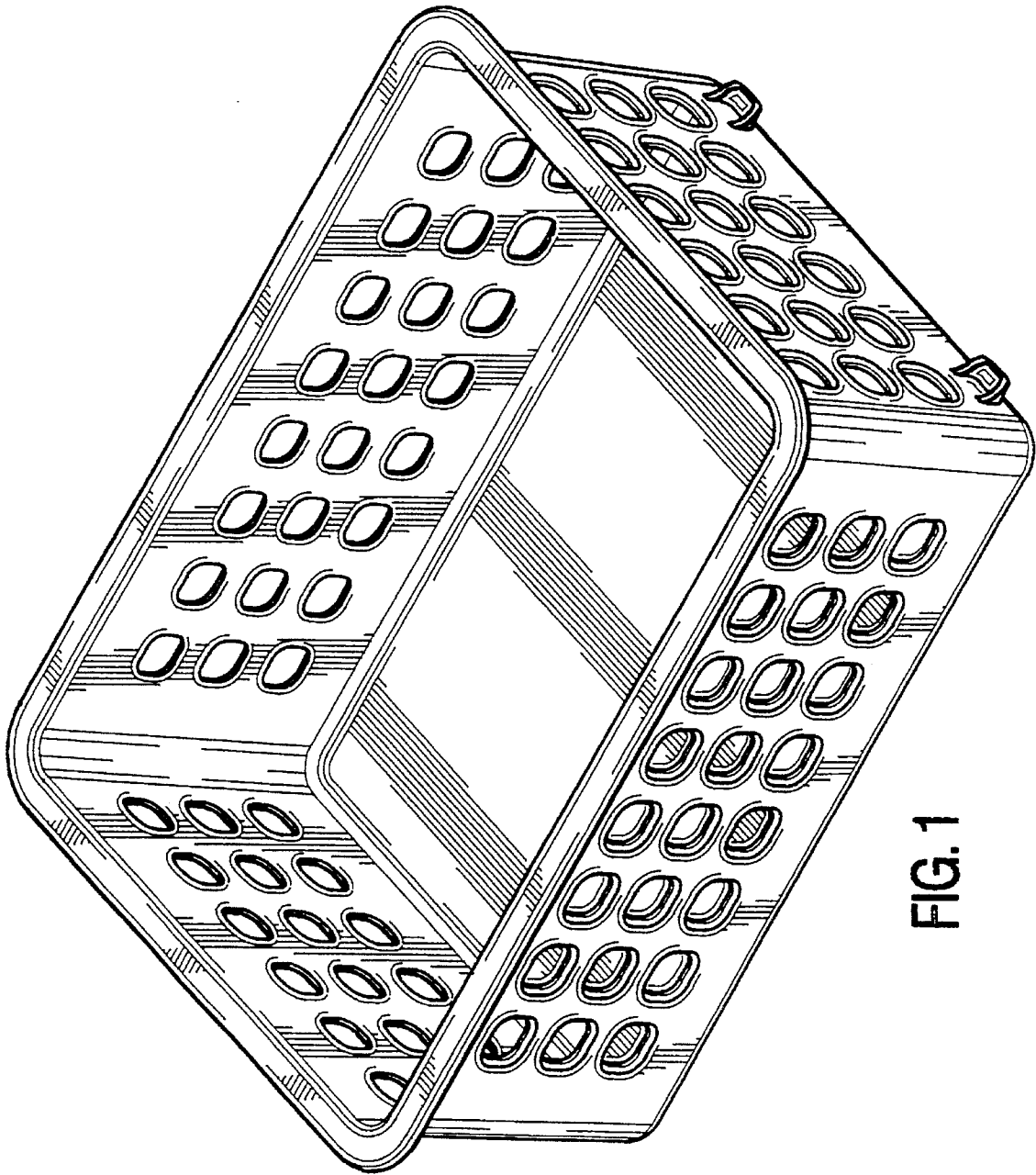


FIG. 1

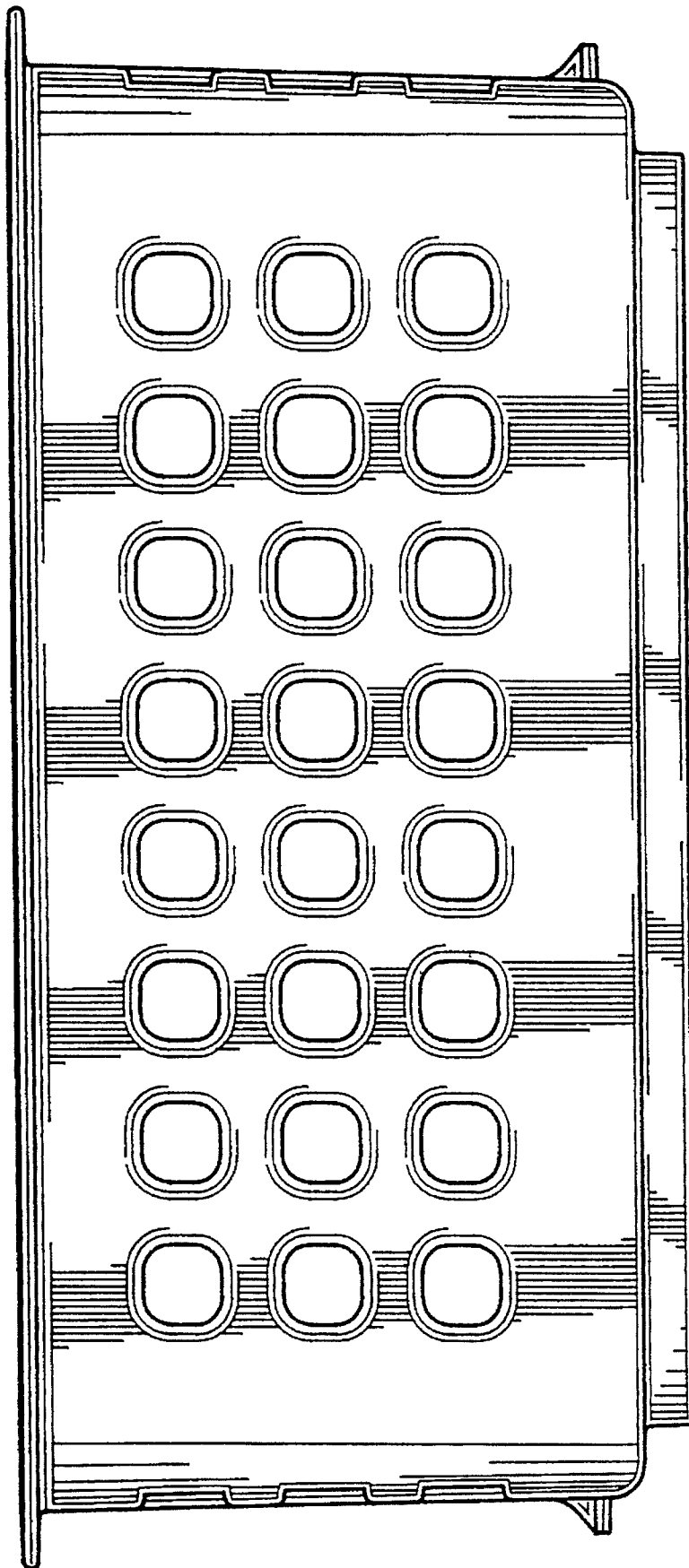


FIG. 2

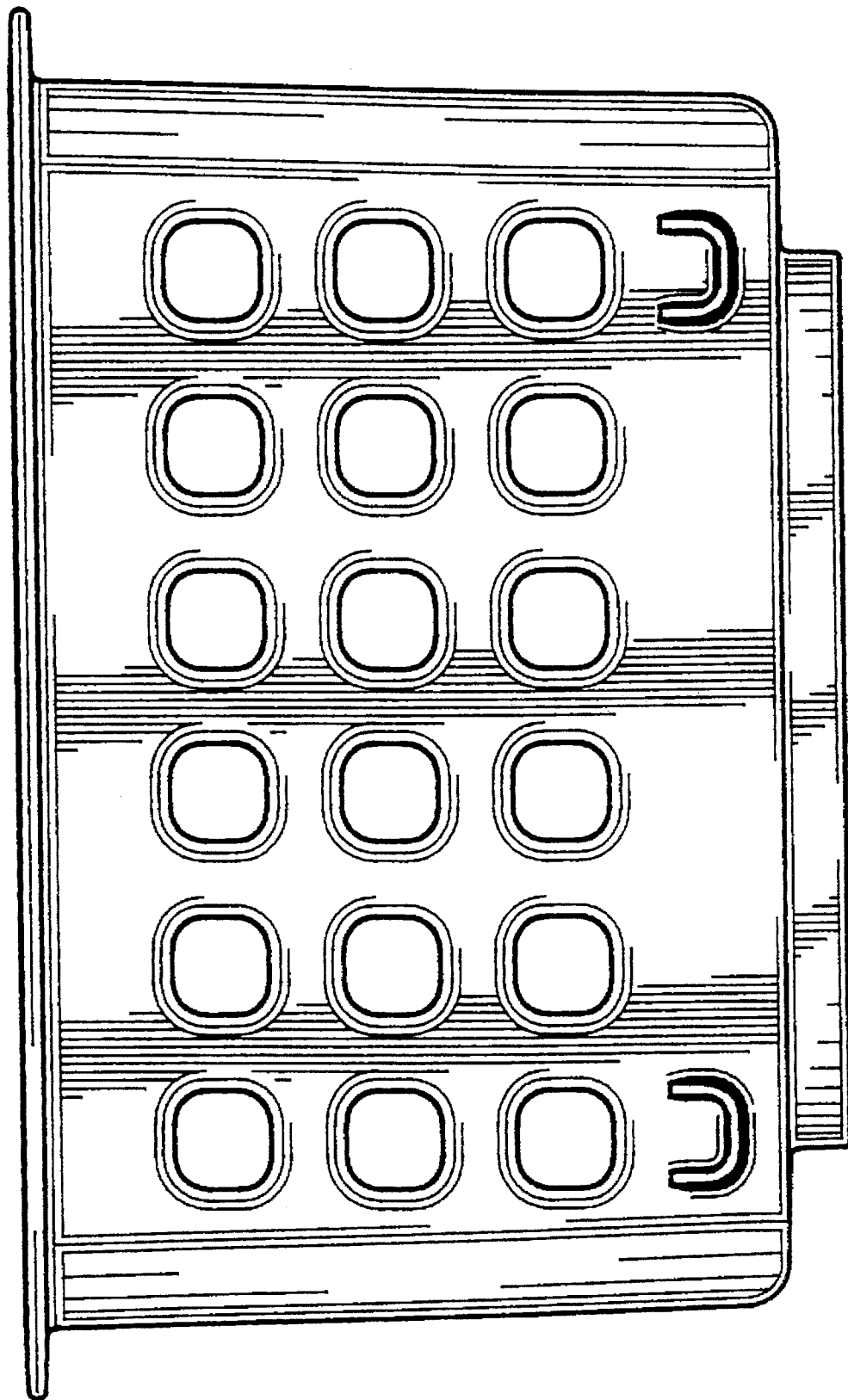


FIG. 3

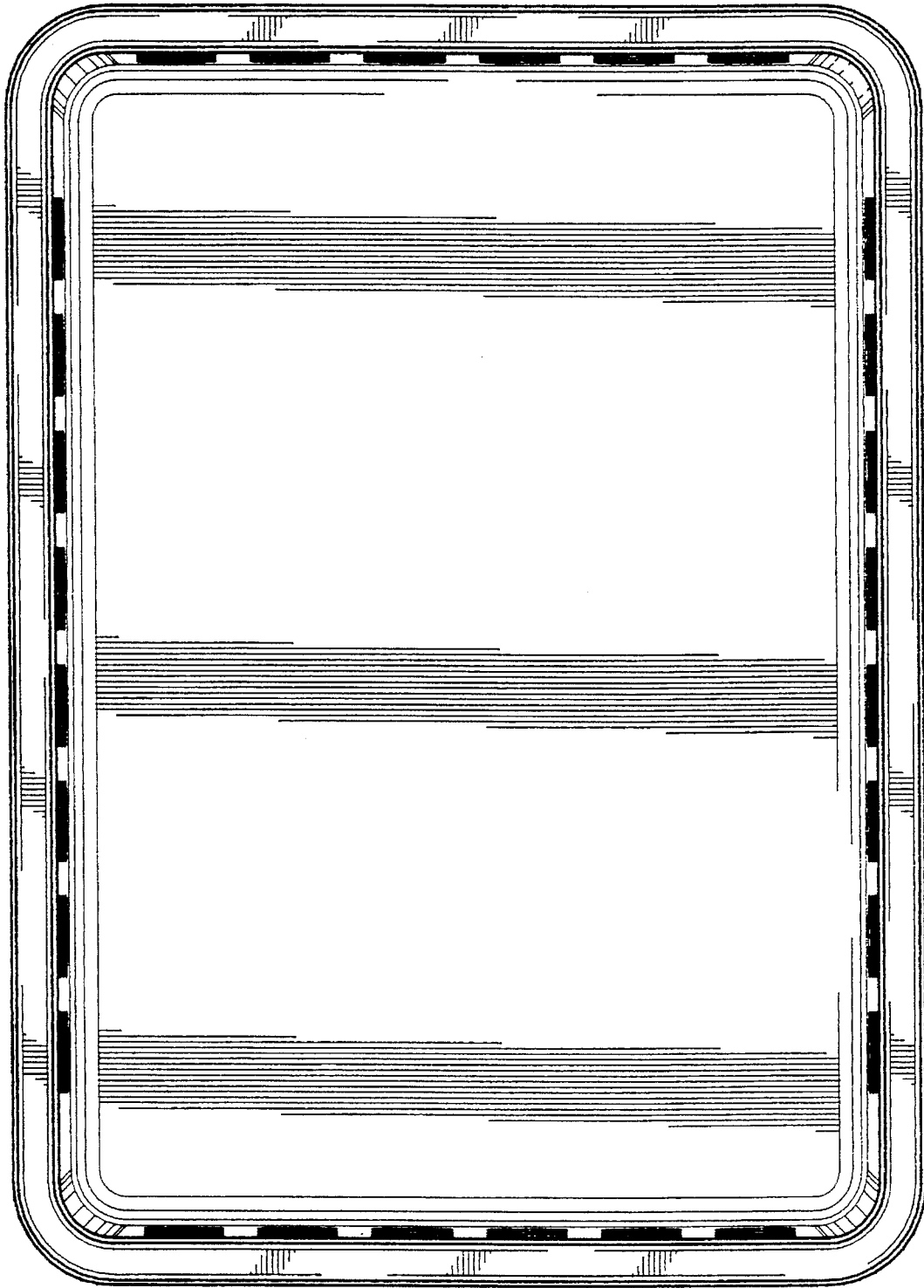


FIG. 4

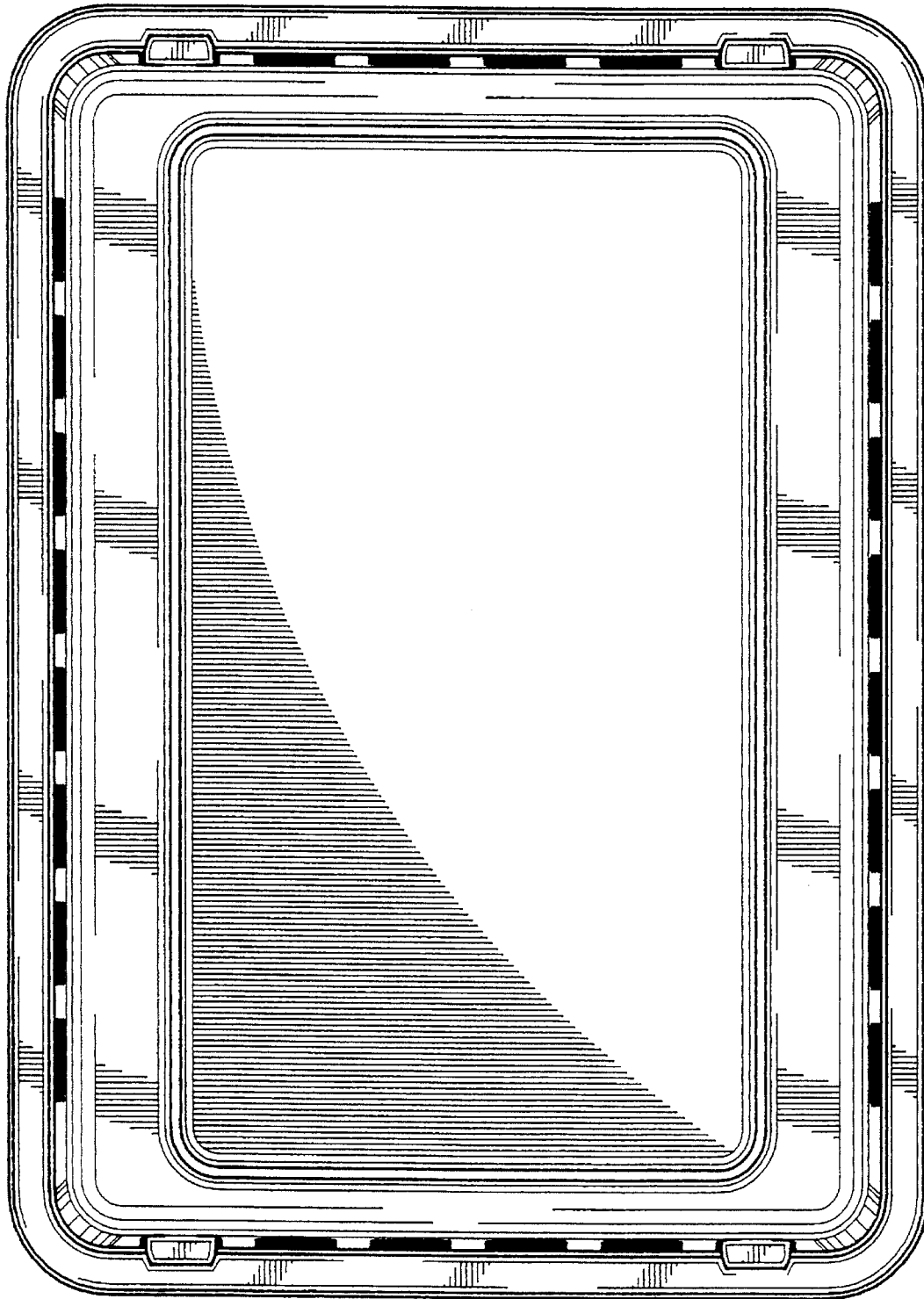


FIG. 5