



(12) **United States Design Patent**
Akana et al.

(10) **Patent No.:** **US D758,353 S**
(45) **Date of Patent:** **** Jun. 7, 2016**

(54) **INPUT MECHANISM**

(71) Applicant: **Apple Inc.**, Cupertino, CA (US)
(72) Inventors: **Jody Akana**, San Francisco, CA (US);
Bartley K. Andre, Palo Alto, CA (US);
Jeremy Bataillou, San Francisco, CA (US);
Daniel J. Coster, San Francisco, CA (US);
Daniele De Iuliis, San Francisco, CA (US);
M. Evans Hankey, San Francisco, CA (US);
Julian Hoenig, San Francisco, CA (US);
Richard P. Howarth, San Francisco, CA (US);
Jonathan P. Ive, San Francisco, CA (US);
Duncan Robert Kerr, San Francisco, CA (US);
Shin Nishibori, Kailua, HI (US);
Matthew Dean Rohrbach, San Francisco, CA (US);
Peter Russell-Clarke, San Francisco, CA (US);
Christopher J. Stringer, Woodside, CA (US);
Eugene Antony Whang, San Francisco, CA (US);
Rico Zörkendörfer, San Francisco, CA (US)

(73) Assignee: **Apple Inc.**, Cupertino, CA (US)
(**) Term: **14 Years**

(21) Appl. No.: **29/525,266**
(22) Filed: **Apr. 28, 2015**

Related U.S. Application Data

(63) Continuation of application No. 29/431,844, filed on Sep. 11, 2012, now Pat. No. Des. 728,528.
(51) **LOC (10) Cl.** **14-03**
(52) **U.S. Cl.**
USPC **D14/218; D14/388**

(58) **Field of Classification Search**
USPC D14/188, 192, 217, 218, 205, 206, 223,
D14/388, 432, 433; D13/133, 145, 155,
D13/158, 171
CPC H04R 1/105; H04R 1/1016; H04R 1/1041;
H04M 1/6058; H03J 9/06; H01H 9/0228;
H01H 13/7057; H05K 1/028
See application file for complete search history.

(56) **References Cited**
U.S. PATENT DOCUMENTS

1,674,253 A	6/1928	Lightfoot
2,120,469 A	6/1938	Kyle
3,049,582 A	8/1962	Shinn
D318,670 S	7/1991	Taniguchi
D322,609 S	12/1991	Patton
D326,655 S	6/1992	Iribe
5,222,151 A	6/1993	Nagayoshi et al.
D344,524 S	2/1994	Taniguchi
D396,860 S	8/1998	Yasutomi
D411,998 S	7/1999	Hakoda et al.

(Continued)

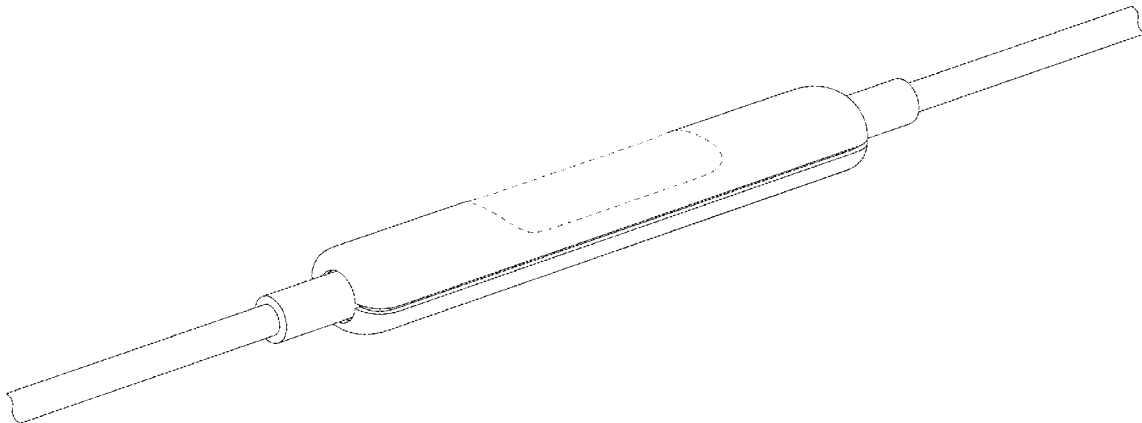
Primary Examiner — Deanna L Pratt
(74) *Attorney, Agent, or Firm* — Sterne, Kessler, Goldstein & Fox P.L.L.C.

(57) **CLAIM**
The ornamental design for an input mechanism, as shown and described.

DESCRIPTION

FIG. 1 is a front perspective view of an input mechanism showing our new design;
FIG. 2 is a rear perspective view thereof;
FIG. 3 is a front view thereof;
FIG. 4 is a rear view thereof;
FIG. 5 is a left side view thereof;
FIG. 6 is a right side view thereof;
FIG. 7 is a top view thereof; and,
FIG. 8 is a bottom view thereof.
The broken lines in the Figures show portions of the input mechanism that form no part of the claimed design.

1 Claim, 5 Drawing Sheets



(56)

References Cited

U.S. PATENT DOCUMENTS

6,179,478 B1 1/2001 Shouji et al.
 D458,597 S 6/2002 Davies et al.
 D465,476 S 11/2002 Golding et al.
 D473,859 S 4/2003 Rivera
 D475,996 S 6/2003 Skulley
 6,688,777 B1 2/2004 Ostrander et al.
 D519,933 S 5/2006 Suckle et al.
 D539,782 S 4/2007 Lee
 D552,603 S 10/2007 Tierney
 7,283,802 B2 10/2007 Kinouchi et al.
 D556,146 S 11/2007 Victor
 D567,185 S 4/2008 Mayo et al.
 D570,331 S 6/2008 Lee
 D582,354 S 12/2008 Andre et al.
 D589,028 S 3/2009 Haapapuro et al.
 D597,071 S 7/2009 Andre et al.
 D597,533 S 8/2009 Kumagai et al.
 D606,980 S 12/2009 Bradford
 D614,167 S 4/2010 Brickstad
 D624,058 S 9/2010 Kolton
 D624,902 S 10/2010 Kolton
 D625,294 S 10/2010 Wada
 D645,022 S 9/2011 Lee et al.

8,314,354 B2 * 11/2012 Prest H01H 13/7057
 200/406
 D677,240 S 3/2013 Coulter
 8,456,864 B2 * 6/2013 Stiehl H01H 9/0228
 361/605
 D685,750 S 7/2013 Nakagawa
 D685,764 S 7/2013 Coulter
 D692,409 S 10/2013 Takeno
 D698,750 S * 2/2014 Yoon D14/205
 D716,268 S * 10/2014 Yamamoto D14/218
 D718,273 S * 11/2014 Harata D14/205
 D725,625 S * 3/2015 Hsieh D14/205
 D726,130 S * 4/2015 Burgett D13/171
 D726,831 S * 4/2015 Lee D13/168
 D728,528 S * 5/2015 Akana D14/218
 D730,873 S * 6/2015 Petterson D14/218
 D731,456 S * 6/2015 Dahlberg D14/205
 D743,381 S * 11/2015 Pi D14/218
 D747,293 S * 1/2016 Mistry D13/168
 2008/0166003 A1 * 7/2008 Hankey H01H 9/0228
 381/370
 2014/0254848 A1 * 9/2014 Petterson H04R 1/1041
 381/334
 2015/0264798 A1 * 9/2015 Stanley H05K 1/028
 361/749

* cited by examiner

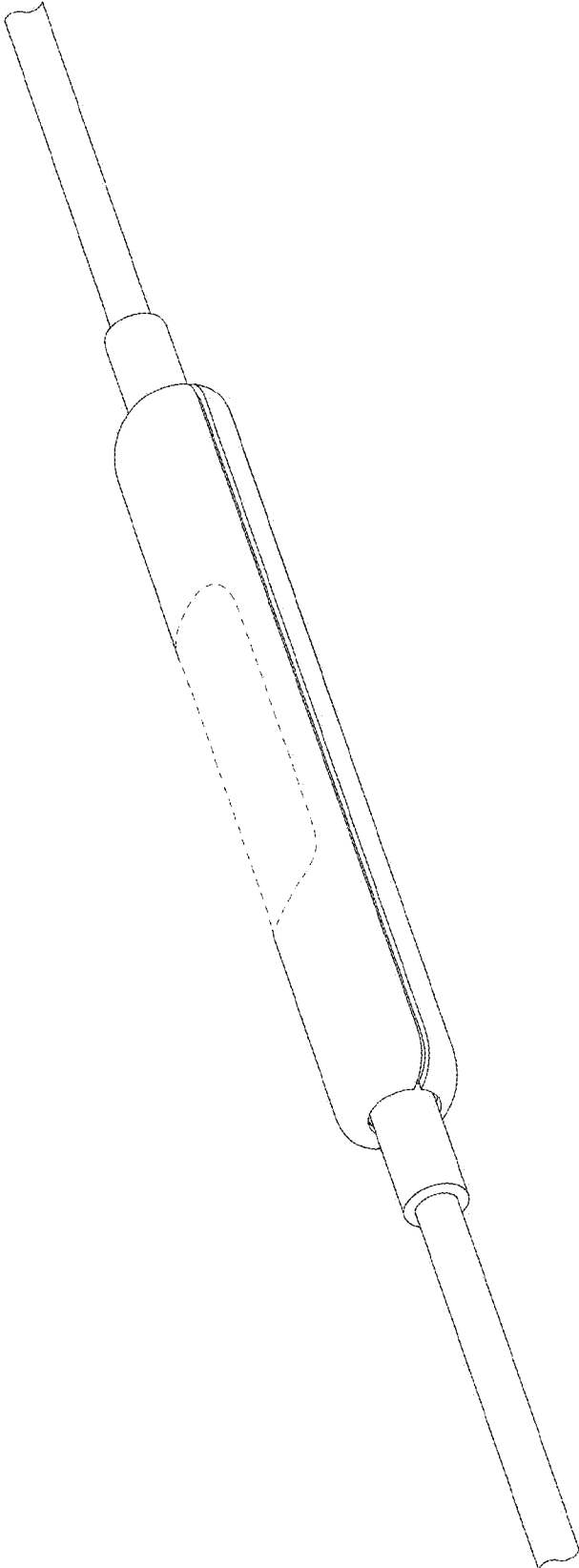


FIG. 1

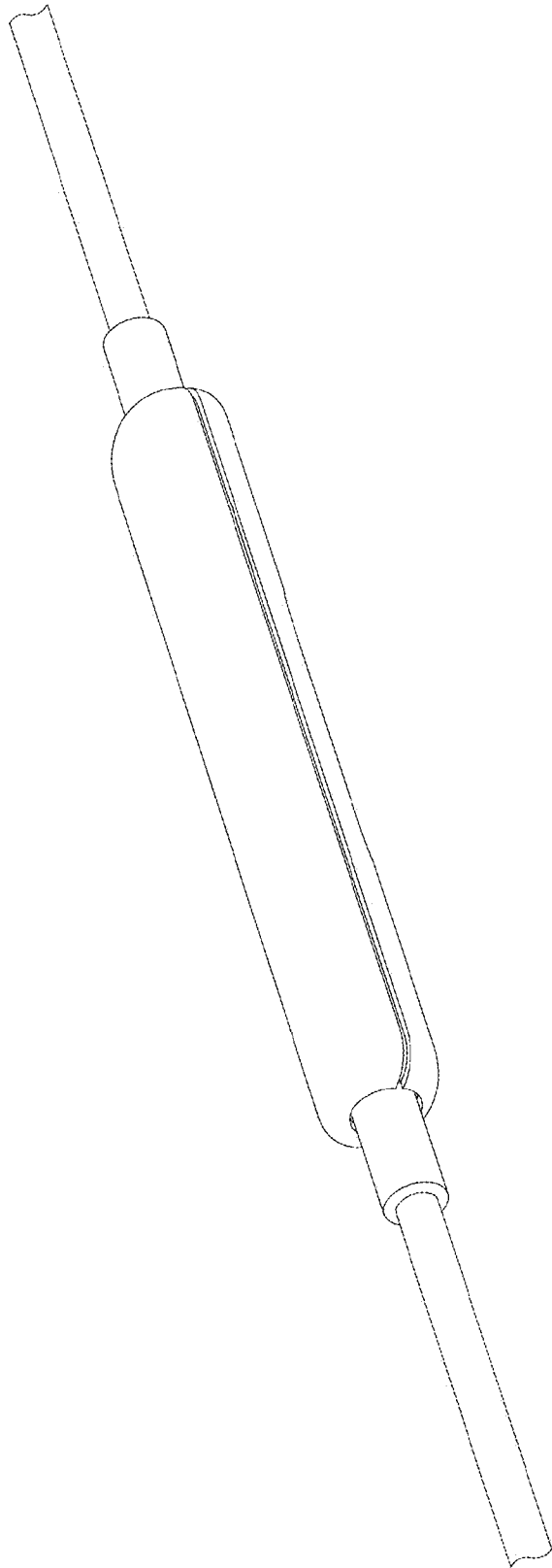


FIG. 2



FIG. 3



FIG. 4

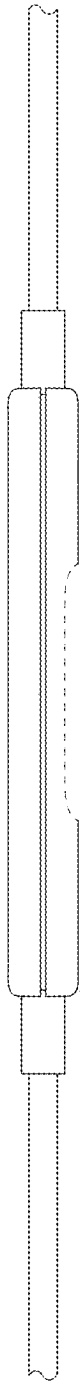


FIG. 5

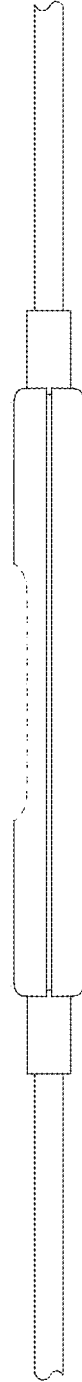


FIG. 6

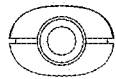


FIG. 7

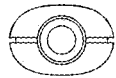


FIG. 8