

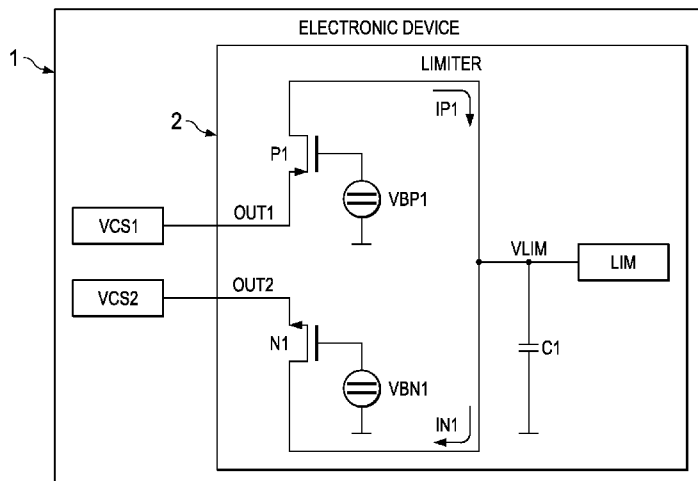


- (51) International Patent Classification:
G05F 3/04 (2006.01) G05F 3/22 (2006.01)
G05F 3/24 (2006.01)
- (21) International Application Number:
PCT/US2012/027751
- (22) International Filing Date:
5 March 2012 (05.03.2012)
- (25) Filing Language: English
- (26) Publication Language: English
- (30) Priority Data:
102011013105.1 4 March 2011 (04.03.2011) DE
13/410,105 1 March 2012 (01.03.2012) US
- (71) Applicant (for all designated States except DE, US):
TEXAS INSTRUMENTS INCORPORATED [US/US];
P.O.Box 655474, Mail Station 3999, Dallas, TX 75265-5474 (US).
- (71) Applicant (for DE only): **TEXAS INSTRUMENTS DEUTSCHLAND GMBH** [DE/DE]; Haggertystrasse 1, 85356 Freising (DE).
- (71) Applicant (for JP only): **TEXAS INSTRUMENTS JAPAN LIMITED** [JP/JP]; 24-1, Nishi-shinjuku 6-chome, Shinjuku-ku Tokyo 160-8366 (JP).
- (72) Inventor; and
- (75) Inventor/Applicant (for US only): **PESCHKE, Carlo** [DE/DE]; Kesselschmiedstr. 6, 85354 Freising (DE).
- (74) Agents: **FRNAZ, Warren, L.** et al.; Texas Instruments Incorporated, Deputy General Patent Counsel, P.O.Box 655474, Mail Station 3999, Dallas, TX 75265-5474 (US).
- (81) Designated States (unless otherwise indicated, for every kind of national protection available): AE, AG, AL, AM, AO, AT, AU, AZ, BA, BB, BG, BH, BR, BW, BY, BZ, CA, CH, CL, CN, CO, CR, CU, CZ, DE, DK, DM, DO, DZ, EC, EE, EG, ES, FI, GB, GD, GE, GH, GM, GT, HN, HR, HU, ID, IL, IN, IS, JP, KE, KG, KM, KN, KP, KR, KZ, LA, LC, LK, LR, LS, LT, LU, LY, MA, MD, ME, MG, MK, MN, MW, MX, MY, MZ, NA, NG, NI, NO, NZ, OM, PE, PG, PH, PL, PT, QA, RO, RS, RU, RW, SC, SD, SE, SG, SK, SL, SM, ST, SV, SY, TH, TJ, TM, TN, TR, TT, TZ, UA, UG, US, UZ, VC, VN, ZA, ZM, ZW.
- (84) Designated States (unless otherwise indicated, for every kind of regional protection available): ARIPO (BW, GH, GM, KE, LR, LS, MW, MZ, NA, RW, SD, SL, SZ, TZ, UG, ZM, ZW), Eurasian (AM, AZ, BY, KG, KZ, MD, RU, TJ, TM), European (AL, AT, BE, BG, CH, CY, CZ, DE, DK, EE, ES, FI, FR, GB, GR, HR, HU, IE, IS, IT, LT, LU, LV, MC, MK, MT, NL, NO, PL, PT, RO, RS, SE, SI, SK, SM, TR), OAPI (BF, BJ, CF, CG, CI, CM, GA, GN, GQ, GW, ML, MR, NE, SN, TD, TG).

[Continued on next page]

(54) Title: ELECTRONIC DEVICE AND METHOD FOR A LIMITER IN AN AC APPLICATION

FIG. 2



(57) Abstract: An electronic device (1), including a first limiter(2) including a first transistor (P1) with a first side of a channel coupled to a first output node (OUT1) of a non-ideal voltage source (VCS1) having an inner impedance greater than zero in order to limit the voltage at the first output node by drawing a current from the first output node. A second side of the channel of the first transistor (P1) is coupled to a capacitor (C1) so as to supply a current (IP1) from the first output node (OUT1) to the capacitor (C1), if the voltage level at the output node reaches or exceeds an upper limit.

WO 2012/122111 A3



Declarations under Rule 4.17:

- *as to applicant's entitlement to apply for and be granted a patent (Rule 4.17(ii))*
- *as to the applicant's entitlement to claim the priority of the earlier application (Rule 4.17(iii))*
- *before the expiration of the time limit for amending the claims and to be republished in the event of receipt of amendments (Rule 48.2(h))*

(88) Date of publication of the international search report:
29 November 2012

Published:

- *with international search report (Art. 21(3))*

A. CLASSIFICATION OF SUBJECT MATTER*G05F 3/04(2006.01)i, G05F 3/24(2006.01)i, G05F 3/22(2006.01)i*

According to International Patent Classification (IPC) or to both national classification and IPC

B. FIELDS SEARCHED

Minimum documentation searched (classification system followed by classification symbols)

G05F 3/04; G05F 3/02; H03K 3/00; G05F 1/40; H03L 5/00; H02J 7/00

Documentation searched other than minimum documentation to the extent that such documents are included in the fields searched

Korean utility models and applications for utility models

Japanese utility models and applications for utility models

Electronic data base consulted during the international search (name of data base and, where practicable, search terms used)

eKOMPASS(KIPO internal) & Keywords: limiter, capacitor, transistor, alternating current

C. DOCUMENTS CONSIDERED TO BE RELEVANT

Category*	Citation of document, with indication, where appropriate, of the relevant passages	Relevant to claim No.
A	US 2010-0253315 A1 (OLIVER NEHRIG et al.) 07 October 2010 See paragraph [0014], and figure 2	1-10
A	US 05459425 A (YUKIO YASUDA) 17 October 1995 See column 3, lines 52-58, column 4, lines 13-15, and figure 1	1-10
A	US 05786685 A (GERBARD G. LANGE et al.) 28 July 1998 See column 8, lines 58-61, and figure 3A	1-10

 Further documents are listed in the continuation of Box C. See patent family annex.

* Special categories of cited documents:

"A" document defining the general state of the art which is not considered to be of particular relevance

"E" earlier application or patent but published on or after the international filing date

"L" document which may throw doubts on priority claim(s) or which is cited to establish the publication date of citation or other special reason (as specified)

"O" document referring to an oral disclosure, use, exhibition or other means

"P" document published prior to the international filing date but later than the priority date claimed

"T" later document published after the international filing date or priority date and not in conflict with the application but cited to understand the principle or theory underlying the invention

"X" document of particular relevance; the claimed invention cannot be considered novel or cannot be considered to involve an inventive step when the document is taken alone

"Y" document of particular relevance; the claimed invention cannot be considered to involve an inventive step when the document is combined with one or more other such documents, such combination being obvious to a person skilled in the art

"&" document member of the same patent family

Date of the actual completion of the international search

28 SEPTEMBER 2012 (28.09.2012)

Date of mailing of the international search report

28 SEPTEMBER 2012 (28.09.2012)

Name and mailing address of the ISA/KR

Korean Intellectual Property Office
189 Cheongsu-ro, Seo-gu, Daejeon Metropolitan
City, 302-701, Republic of Korea

Facsimile No. 82-42-472-7140

Authorized officer

Park Kee Yong

Telephone No. 82-42-481-8707



INTERNATIONAL SEARCH REPORT

Information on patent family members

International application No.

PCT/US2012/027751

Patent document cited in search report	Publication date	Patent family member(s)	Publication date
US 2010-0253315 A1	07.10.2010	DE 102009013962 A1	14.10.2010
US 05459425 A	17.10.1995	JP 06-196957 A	15.07.1994
US 05786685 A	28.07.1998	None	