



US00D832609S

(12) **United States Design Patent**  
**Hecht et al.**

(10) **Patent No.:** **US D832,609 S**

(45) **Date of Patent:** **\*\* Nov. 6, 2018**

(54) **CHAIR**

(71) Applicant: **Herman Miller, Inc.**, Zeeland, MI (US)

(72) Inventors: **Sam Hecht**, London (GB); **Kimberlee Colin**, London (GB); **Philipp Von Lintel**, London (GB); **Ippei Matsumoto**, London (GB)

(73) Assignee: **HERMAN MILLER, INC.**, Zeeland, MI (US)

(\*\*) Term: **15 Years**

(21) Appl. No.: **29/557,761**

(22) Filed: **Mar. 11, 2016**

(51) **LOC (11) Cl.** ..... **06-01**

(52) **U.S. Cl.**

USPC ..... **D6/377**; D6/378

(58) **Field of Classification Search**

USPC ..... D6/334-336, 364, 371, 373, 377, 378, D6/381, 716, 716.1, 716.2, 716.4

CPC ..... A47C 15/002; A47C 17/00; A47C 17/02; A47C 7/18; A47C 7/24; A47C 5/125; A47C 3/14; A47C 3/16; A47C 17/36

See application file for complete search history.

(56) **References Cited**

**U.S. PATENT DOCUMENTS**

|            |           |           |        |
|------------|-----------|-----------|--------|
| D181,945 S | 1/1958    | Saارين    |        |
| D257,301 S | 10/1980   | Nash      |        |
| D262,166 S | * 12/1981 | Aronowitz | D6/378 |
| D264,403 S | 5/1982    | Webb      |        |
| D265,443 S | * 7/1982  | Webb      | D6/377 |
| D278,581 S | 4/1985    | Melchior  |        |
| D288,506 S | 3/1987    | Ochsner   |        |
| D327,583 S | 7/1992    | Dettinger |        |
| D335,779 S | 5/1993    | Newhouse  |        |
| D337,450 S | 7/1993    | Dettinger |        |
| D338,112 S | 8/1993    | Hutton    |        |

|            |          |                  |        |
|------------|----------|------------------|--------|
| D354,633 S | 1/1995   | Frinier          |        |
| D367,365 S | 2/1996   | Hutton           |        |
| D437,495 S | * 2/2001 | Gibson           | D6/334 |
| D465,360 S | 11/2002  | Ratza et al.     |        |
| D485,996 S | 2/2004   | Stanton          |        |
| D505,277 S | 5/2005   | Tapinassi et al. |        |
| D508,787 S | 8/2005   | Natuzzi          |        |
| D509,370 S | 9/2005   | Natuzzi          |        |
| D530,527 S | 10/2006  | Jourdan          |        |
| D549,471 S | 8/2007   | Bauchet          |        |
| D549,971 S | 9/2007   | Jourdan          |        |
| D550,464 S | 9/2007   | Bauchet          |        |
| D579,224 S | 10/2008  | Fancelli         |        |
| D678,691 S | 3/2013   | Frinier          |        |

(Continued)

*Primary Examiner* — Mimosa De

(74) *Attorney, Agent, or Firm* — Michael Best & Friedrich LLP

(57) **CLAIM**

We claim the ornamental design for a chair, as shown and described.

**DESCRIPTION**

FIG. 1 is a perspective view of a chair embodying the invention.

FIG. 2 is a front view of the chair of FIG. 1.

FIG. 3 is a rear view of the chair of FIG. 1.

FIG. 4 is a first side view of the chair of FIG. 1.

FIG. 5 is a second side view of the chair of FIG. 1.

FIG. 6 is a top view of the chair of FIG. 1.

FIG. 7 is a perspective view of a chair embodying the invention.

FIG. 8 is a front view of the chair of FIG. 7.

FIG. 9 is a rear view of the chair of FIG. 7.

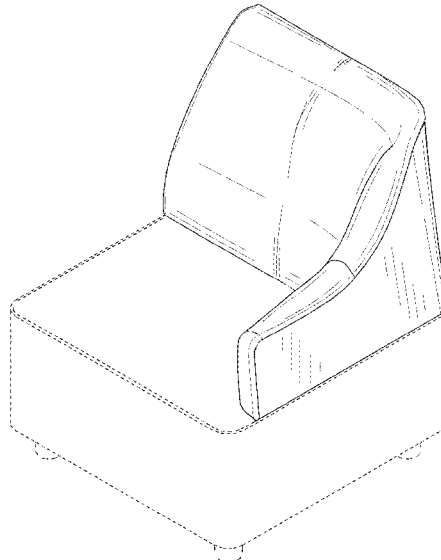
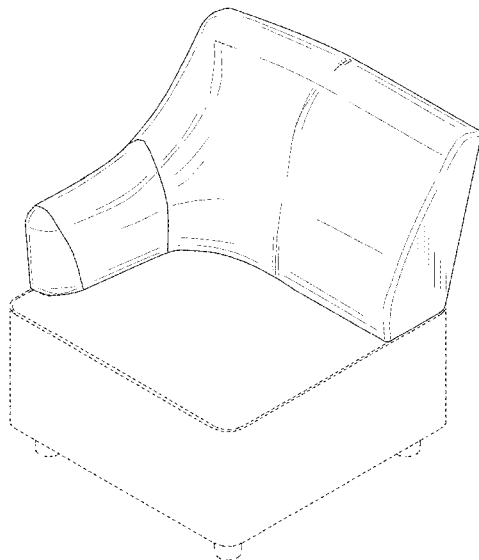
FIG. 10 is a first side view of the chair of FIG. 7.

FIG. 11 is a second side view of the chair of FIG. 7; and,

FIG. 12 is a top view of the chair of FIG. 7.

Portions of the seat shown in broken lines form no part of the claimed design.

**1 Claim, 12 Drawing Sheets**



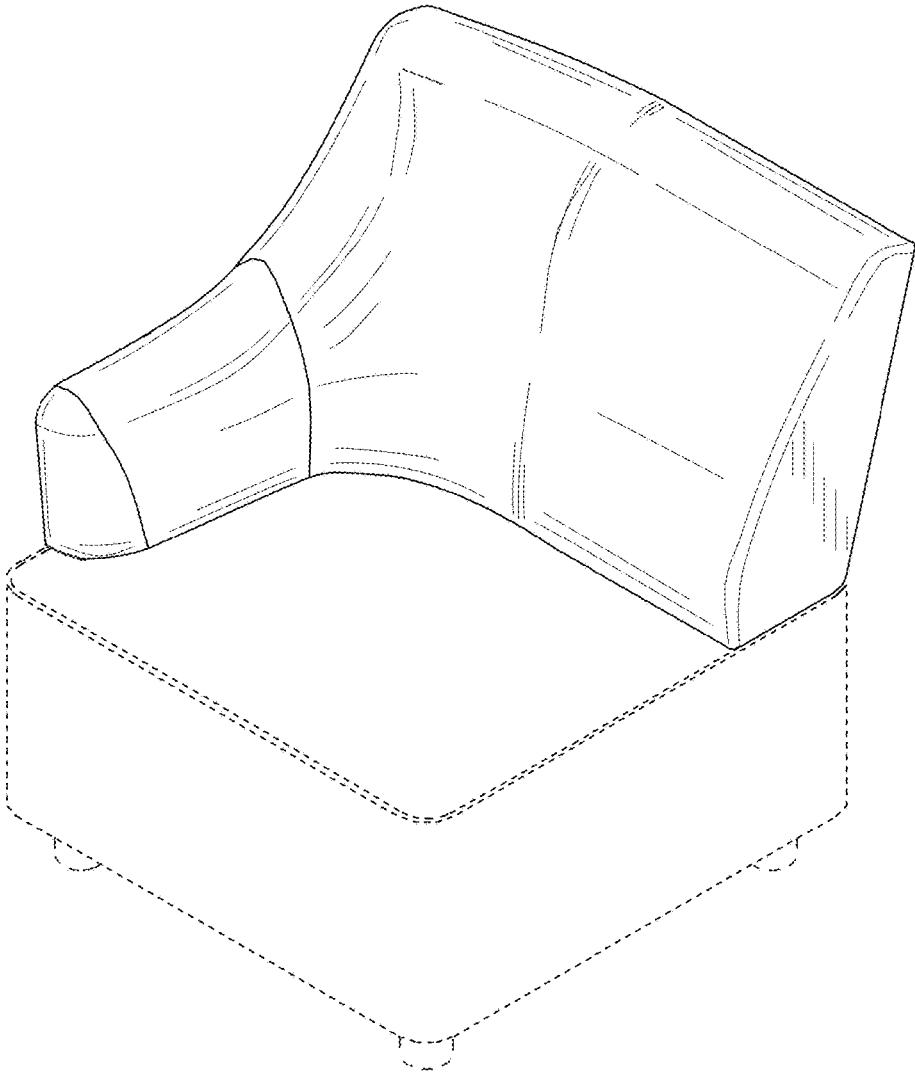
(56)

**References Cited**

U.S. PATENT DOCUMENTS

|              |        |                |        |
|--------------|--------|----------------|--------|
| D684,785 S   | 6/2013 | Hwangbo et al. |        |
| D704,469 S * | 5/2014 | Gaschy .....   | D6/378 |
| D708,451 S * | 7/2014 | Gaschy .....   | D6/378 |
| D728,958 S * | 5/2015 | Kubryk .....   | D6/377 |
| D730,670 S   | 6/2015 | Kubryk         |        |
| D766,006 S   | 9/2016 | Lewis          |        |
| D766,640 S   | 9/2016 | Kubryk         |        |
| D767,318 S   | 9/2016 | Kubryk         |        |

\* cited by examiner



**FIG. 1**

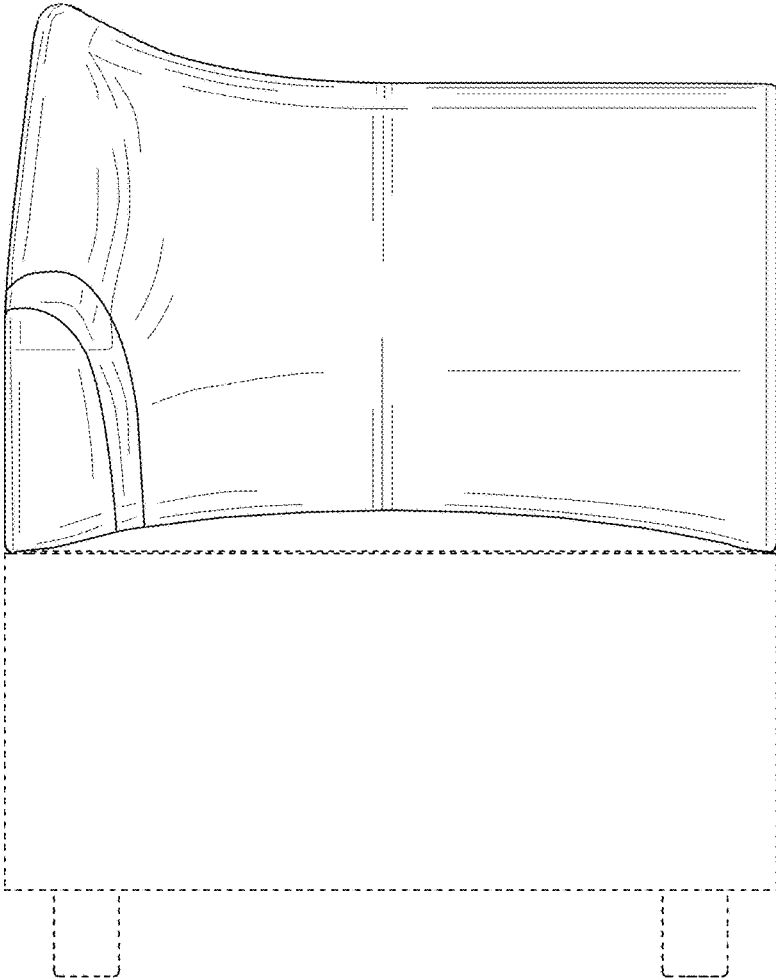
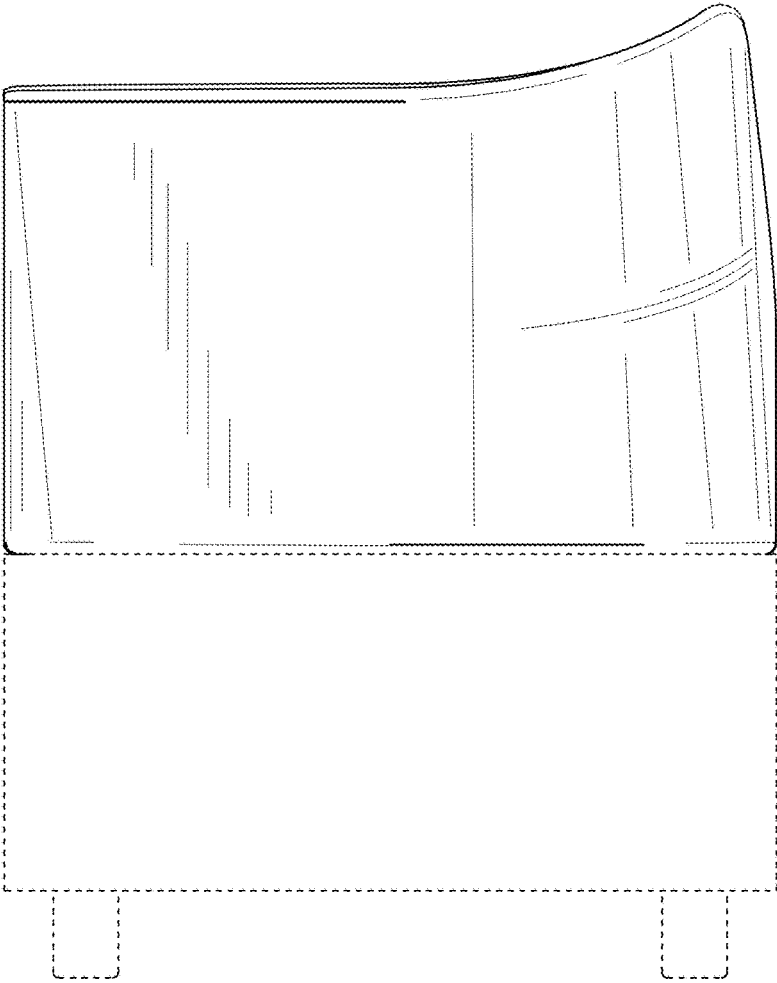
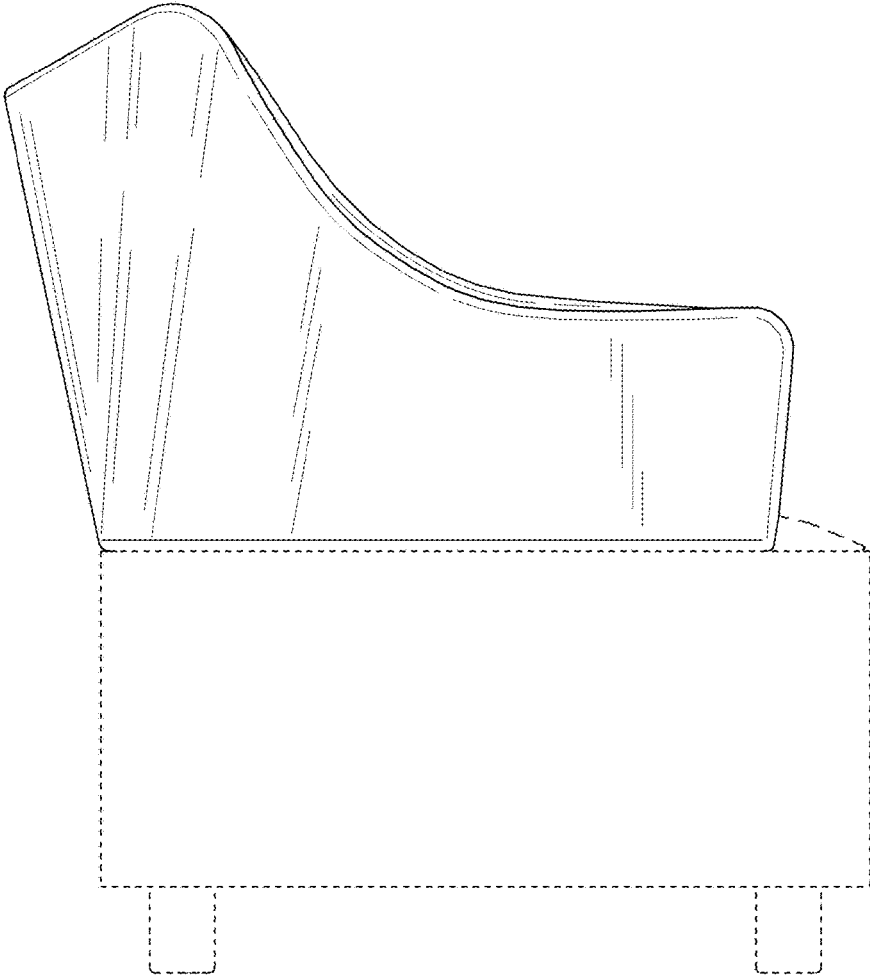


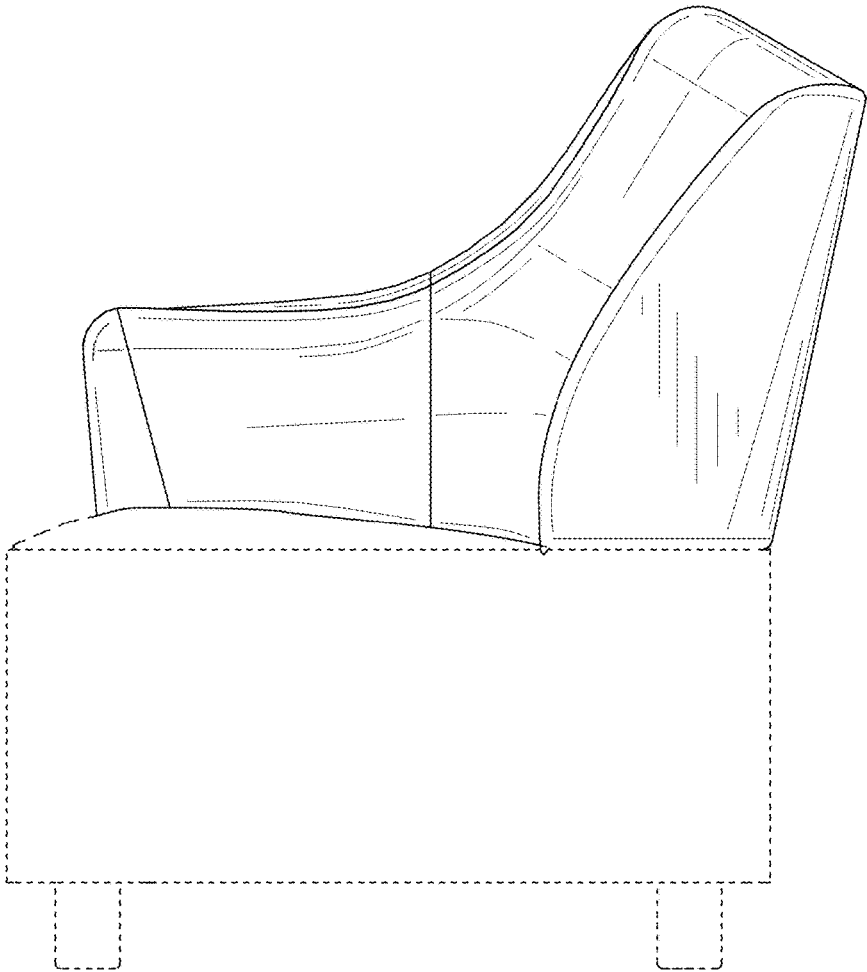
FIG. 2



**FIG. 3**



**FIG. 4**



**FIG. 5**

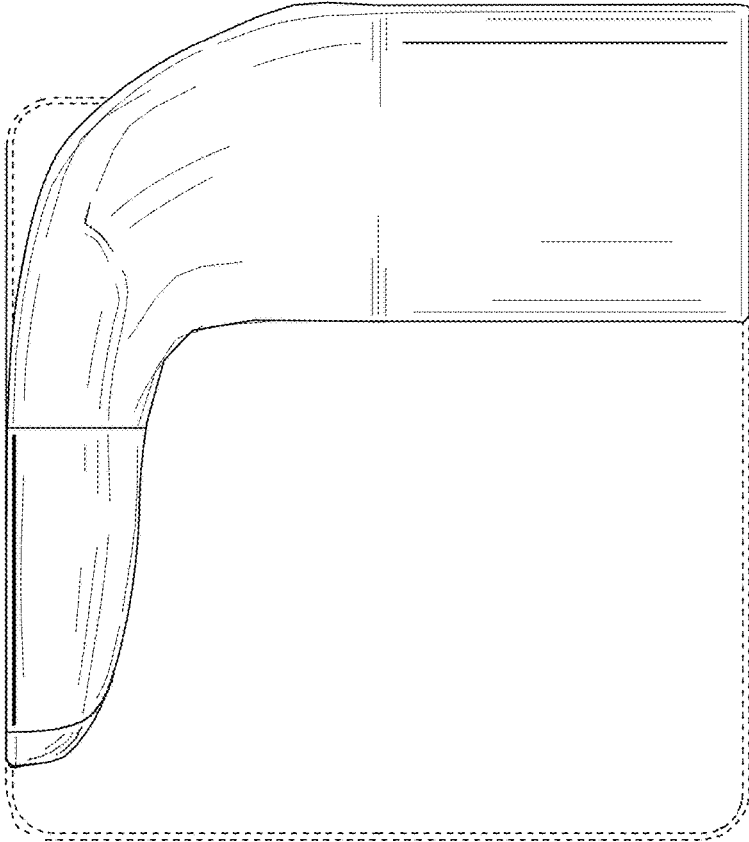
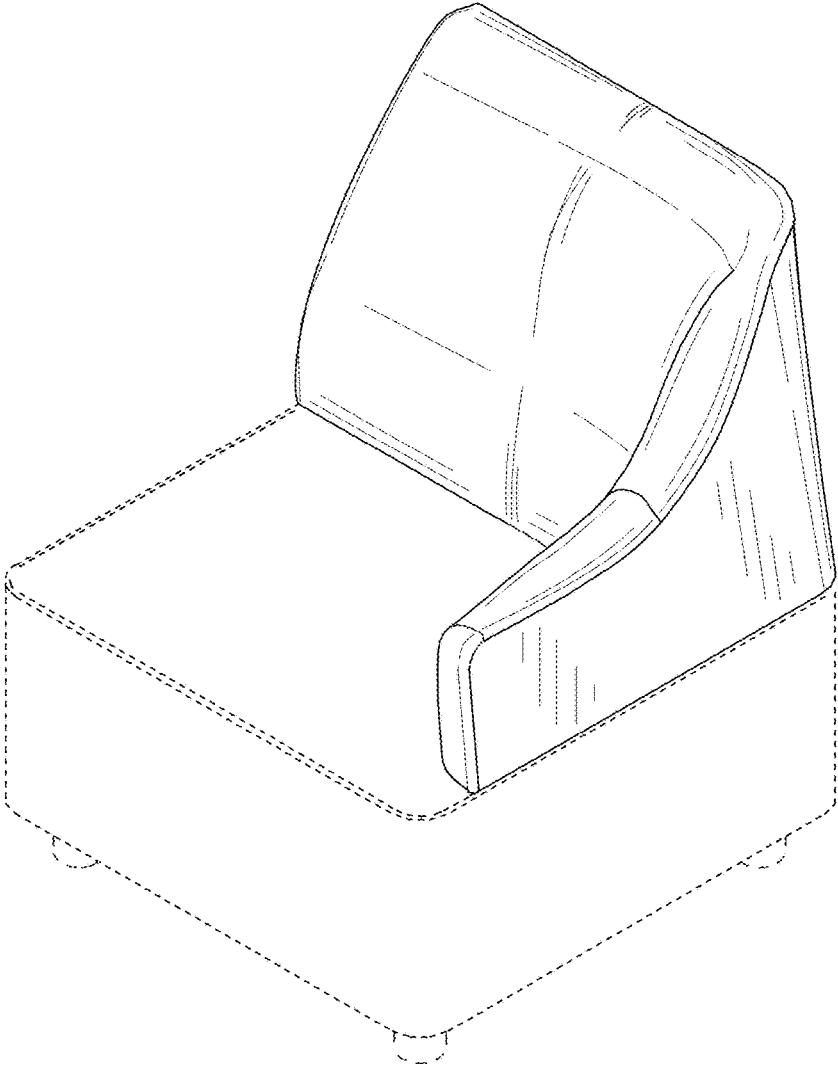


FIG. 6





**FIG. 7**

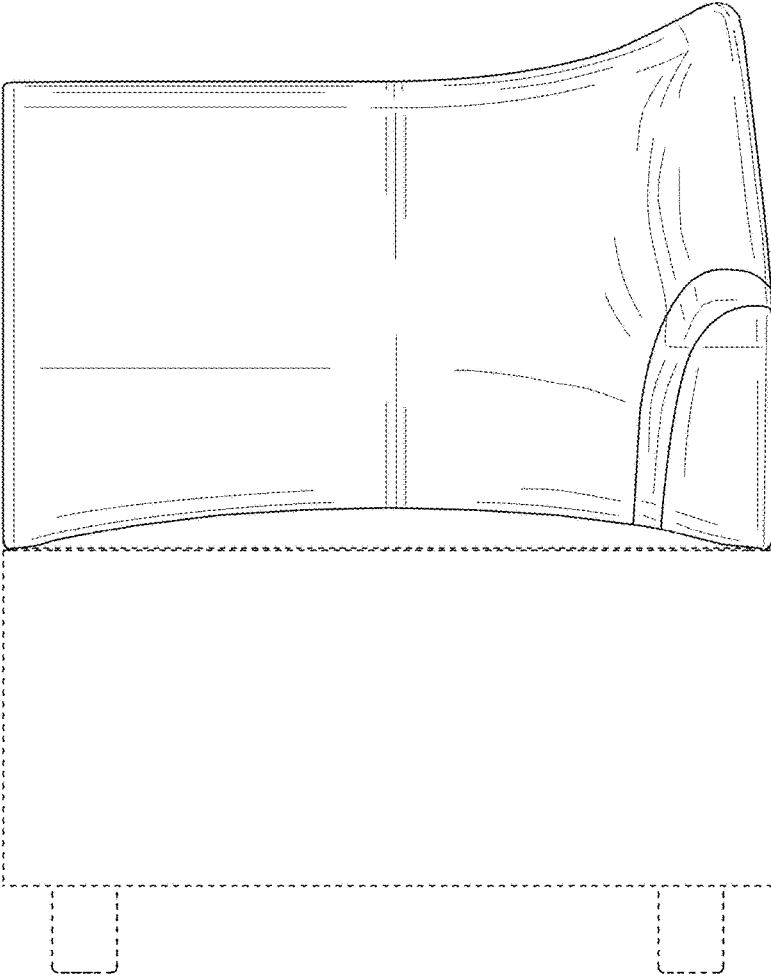
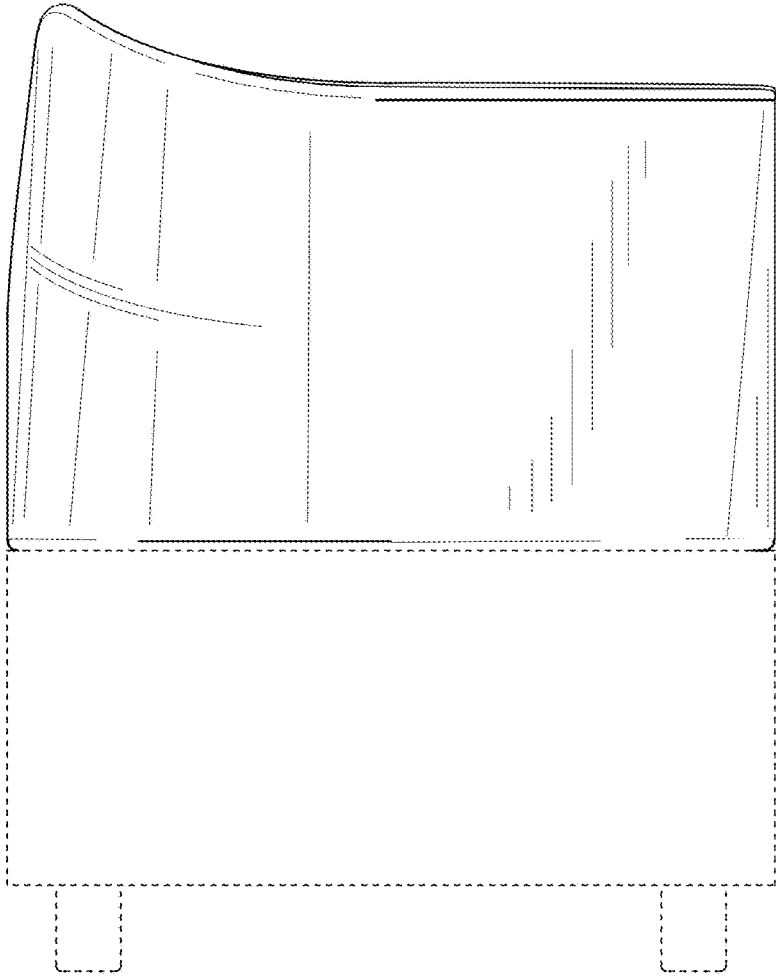


FIG. 8



**FIG. 9**

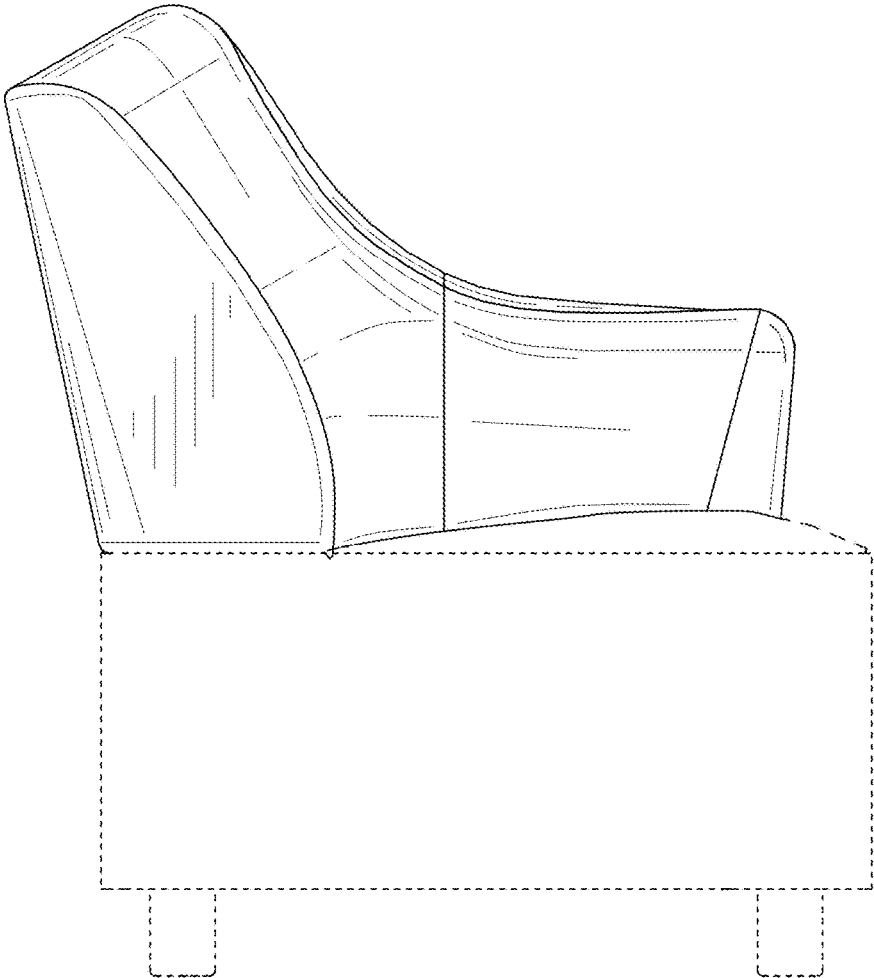
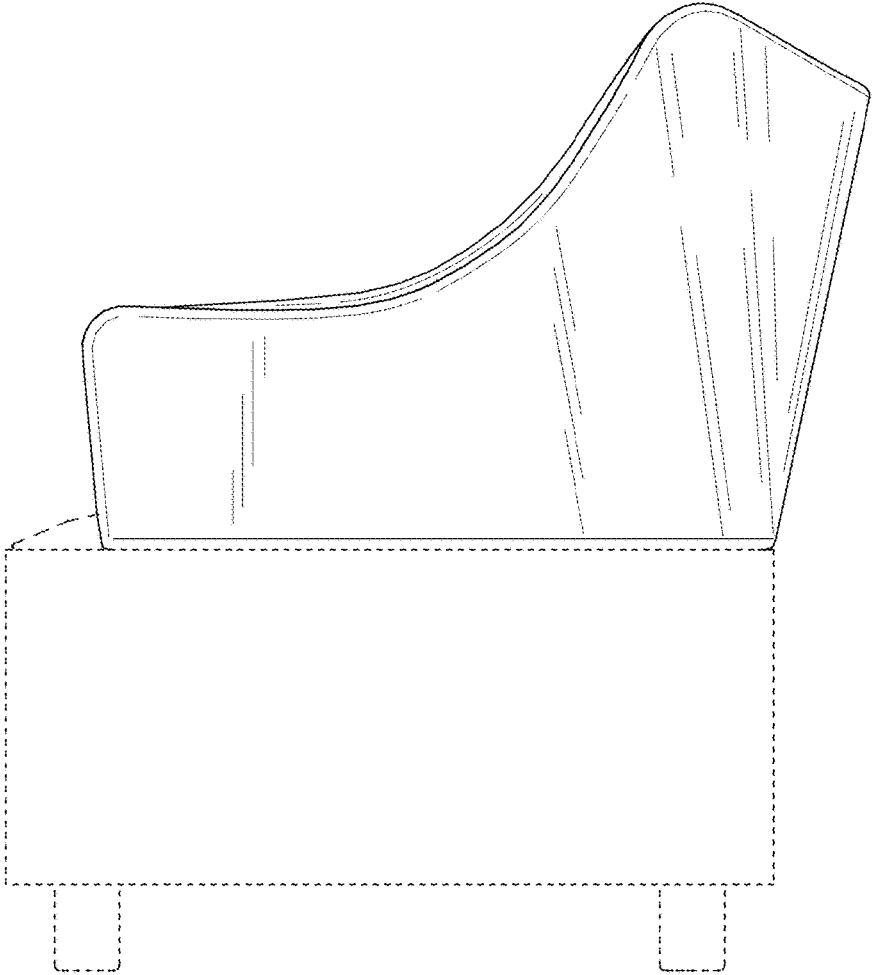


FIG. 10



**FIG. 11**

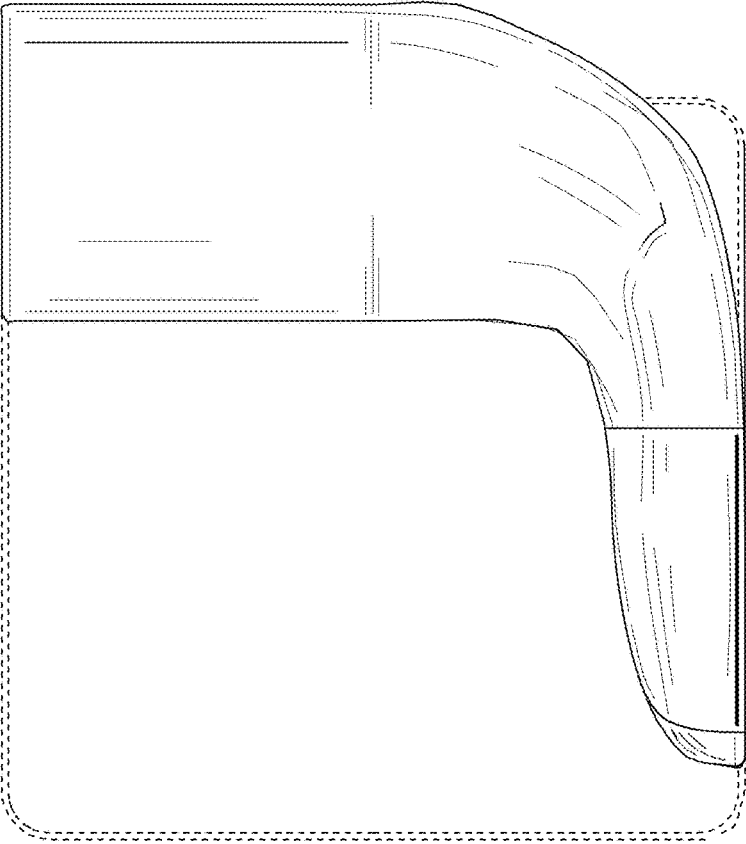


FIG. 12