



US00D719087S

(12) **United States Design Patent**
Bataillou et al.

(10) **Patent No.:** **US D719,087 S**
(45) **Date of Patent:** **** Dec. 9, 2014**

(54) **BATTERY FOR A PORTABLE DISPLAY DEVICE**

(71) Applicant: **Apple Inc.**, Cupertino, CA (US)

(72) Inventors: **Jeremy Bataillou**, San Francisco, CA (US); **Daniel J. Coster**, San Francisco, CA (US); **Carl R. Peterson**, Santa Clara, CA (US); **John Raff**, Menlo Park, CA (US); **Christopher J. Stringer**, Woodside, CA (US)

(73) Assignee: **Apple Inc.**, Cupertino, CA (US)

(**) Term: **14 Years**

(21) Appl. No.: **29/473,939**

(22) Filed: **Nov. 27, 2013**

Related U.S. Application Data

(63) Continuation of application No. 29/415,041, filed on Mar. 7, 2012, now Pat. No. Des. 694,755.

(51) **LOC (10) Cl.** **13-02**

(52) **U.S. Cl.**
USPC **D13/103**

(58) **Field of Classification Search**
USPC D13/102-104, 110, 118-121, 184, 199;
429/96-100, 163, 176
See application file for complete search history.

References Cited

U.S. PATENT DOCUMENTS

| | | | | |
|-----------|-----|---------|--------------------|---------|
| 5,180,644 | A | 1/1993 | Bresin et al. | |
| 5,436,089 | A | 7/1995 | Fedele | |
| 5,601,942 | A | 2/1997 | Fedele | |
| D440,201 | S * | 4/2001 | Huynh et al. | D13/103 |
| D454,544 | S | 3/2002 | Takach, Jr. et al. | |
| D532,363 | S | 11/2006 | Morisawa | |
| 7,595,129 | B2 | 9/2009 | Kato | |
| D635,506 | S | 4/2011 | Morisawa | |
| D637,157 | S * | 5/2011 | Andre et al. | D13/119 |

| | | | | |
|--------------|------|---------|---------------|---------|
| D655,673 | S * | 3/2012 | Masui | D13/103 |
| D658,583 | S * | 5/2012 | Andre et al. | D13/119 |
| 8,168,319 | B2 * | 5/2012 | Spare et al. | 429/159 |
| D669,849 | S * | 10/2012 | Morisawa | D13/103 |
| 8,309,245 | B2 * | 11/2012 | Coish et al. | 429/100 |
| D672,713 | S * | 12/2012 | Masui | D13/103 |
| D677,620 | S * | 3/2013 | Corbin et al. | D13/103 |
| D678,184 | S * | 3/2013 | Banko et al. | D13/103 |
| D684,529 | S * | 6/2013 | Moon et al. | D13/103 |
| D684,530 | S * | 6/2013 | Moon et al. | D13/103 |
| D684,531 | S * | 6/2013 | Moon et al. | D13/103 |
| D689,018 | S * | 9/2013 | Honda et al. | D13/103 |
| D689,019 | S * | 9/2013 | Sato et al. | D13/103 |
| D692,823 | S * | 11/2013 | Tanaka | D13/103 |
| D697,479 | S * | 1/2014 | Andre et al. | D13/119 |
| D700,135 | S * | 2/2014 | Sato et al. | D13/103 |
| 8,703,322 | B2 * | 4/2014 | Lee et al. | 429/138 |
| D708,128 | S * | 7/2014 | Andre et al. | D13/103 |
| D711,311 | S * | 8/2014 | Corbin et al. | D13/103 |
| 2002/0094475 | A1 | 7/2002 | Aoyama | |

* cited by examiner

Primary Examiner — Rosemary K Tarcza

(74) *Attorney, Agent, or Firm* — Sterne, Kessler, Goldstein & Fox P.L.L.C.

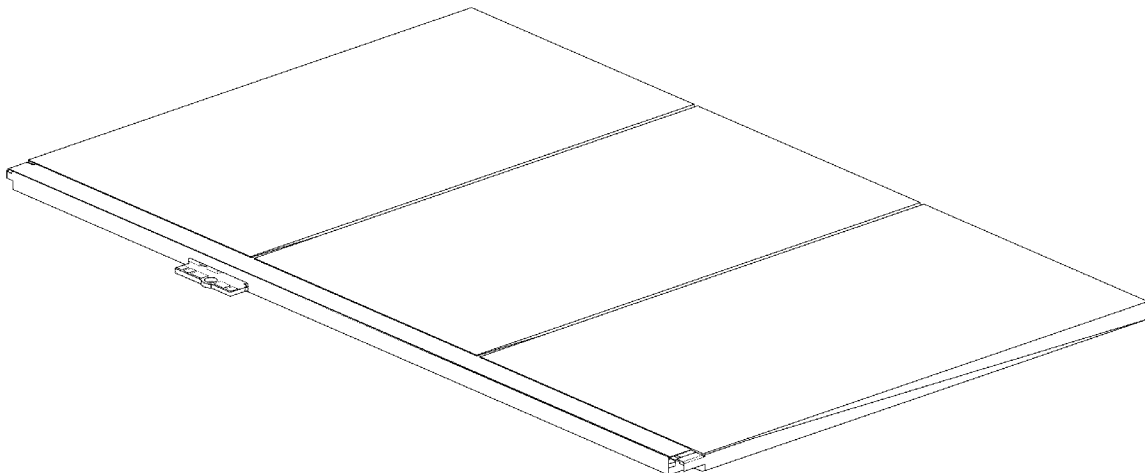
(57) **CLAIM**

The ornamental design for a battery for a portable display device, as shown and described.

DESCRIPTION

FIG. 1 is a front perspective view of a battery for a portable display device showing our new design;
FIG. 2 is a front view thereof;
FIG. 3 is a rear view thereof;
FIG. 4 is a top view thereof;
FIG. 5 is a bottom view thereof;
FIG. 6 is a side view thereof; and,
FIG. 7 is another side view thereof.
The broken lines in the Figures show portions of the battery for a portable display device which form no part of the claimed design.

1 Claim, 7 Drawing Sheets



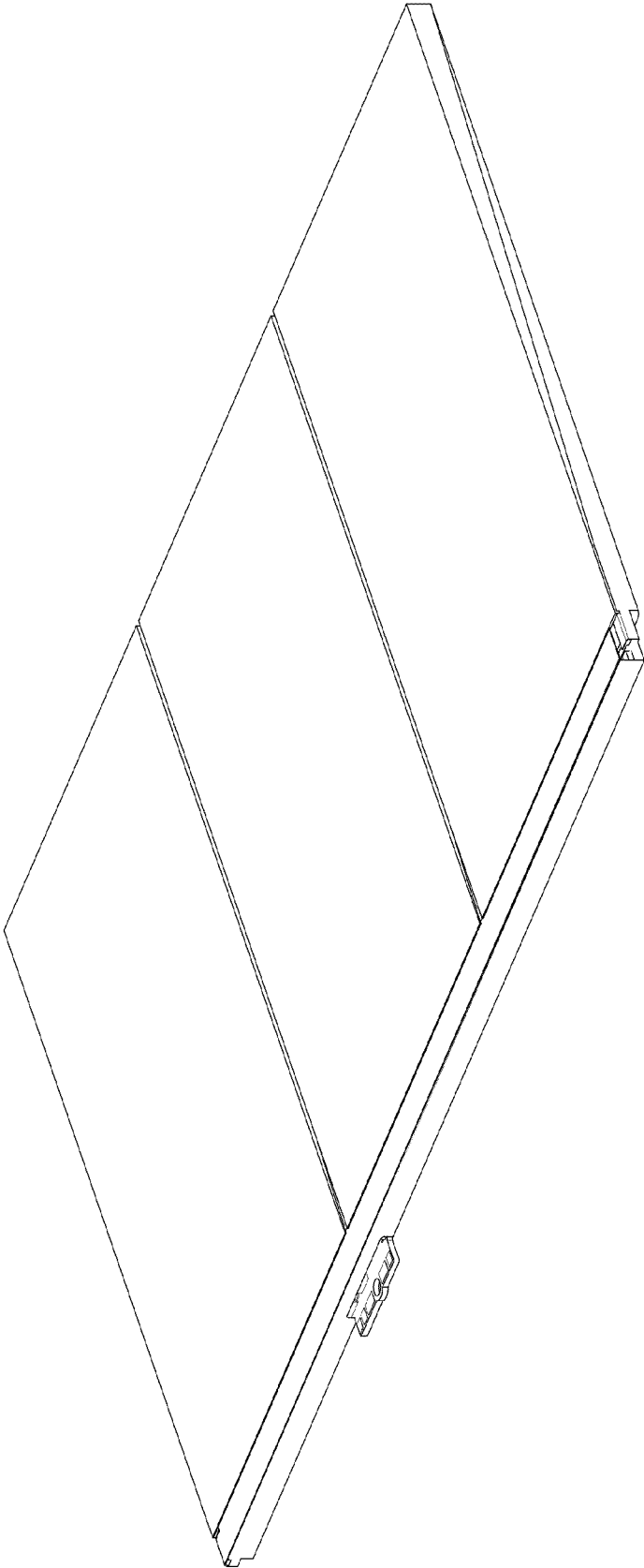


FIG. 1

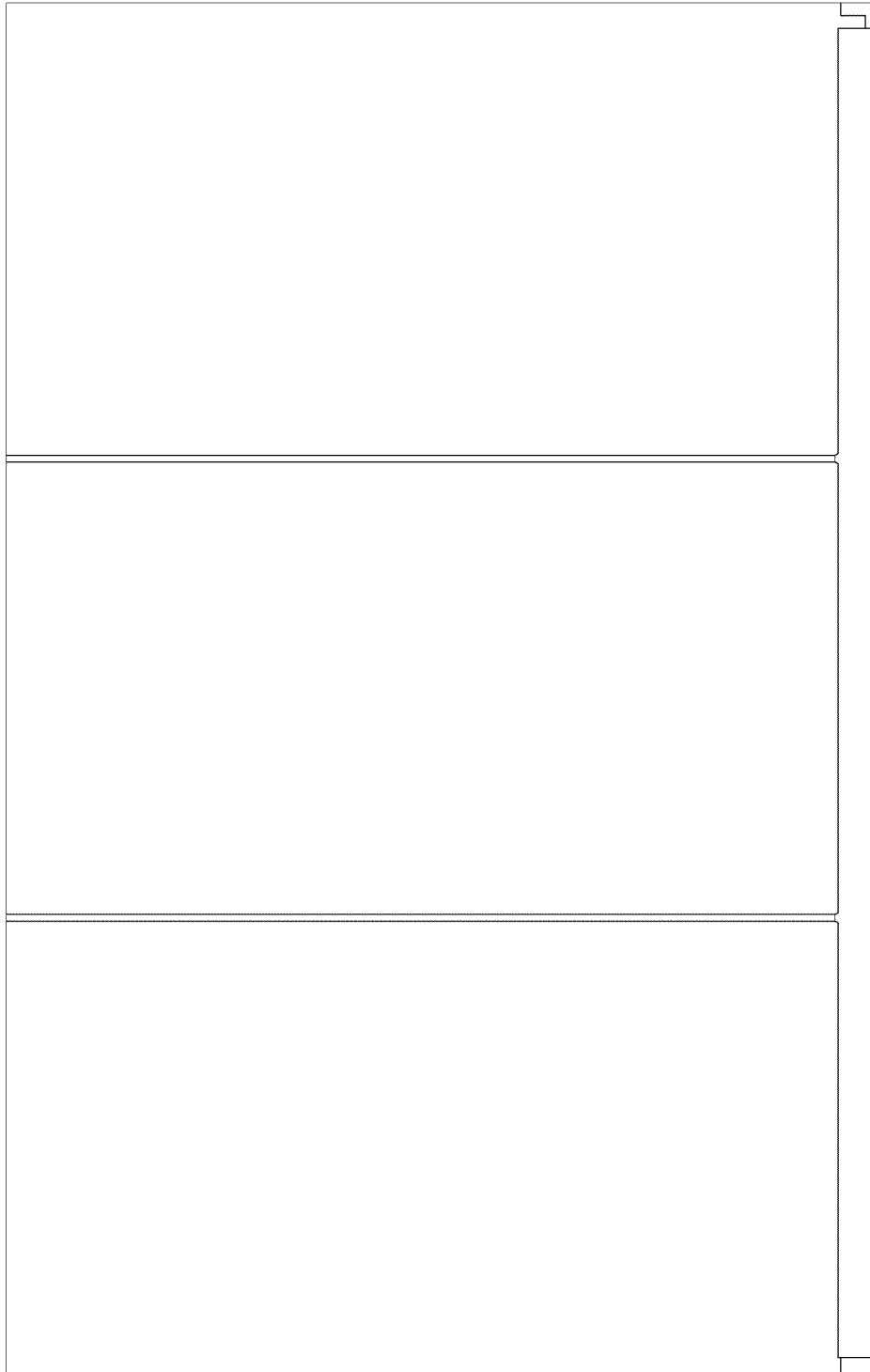


FIG. 2

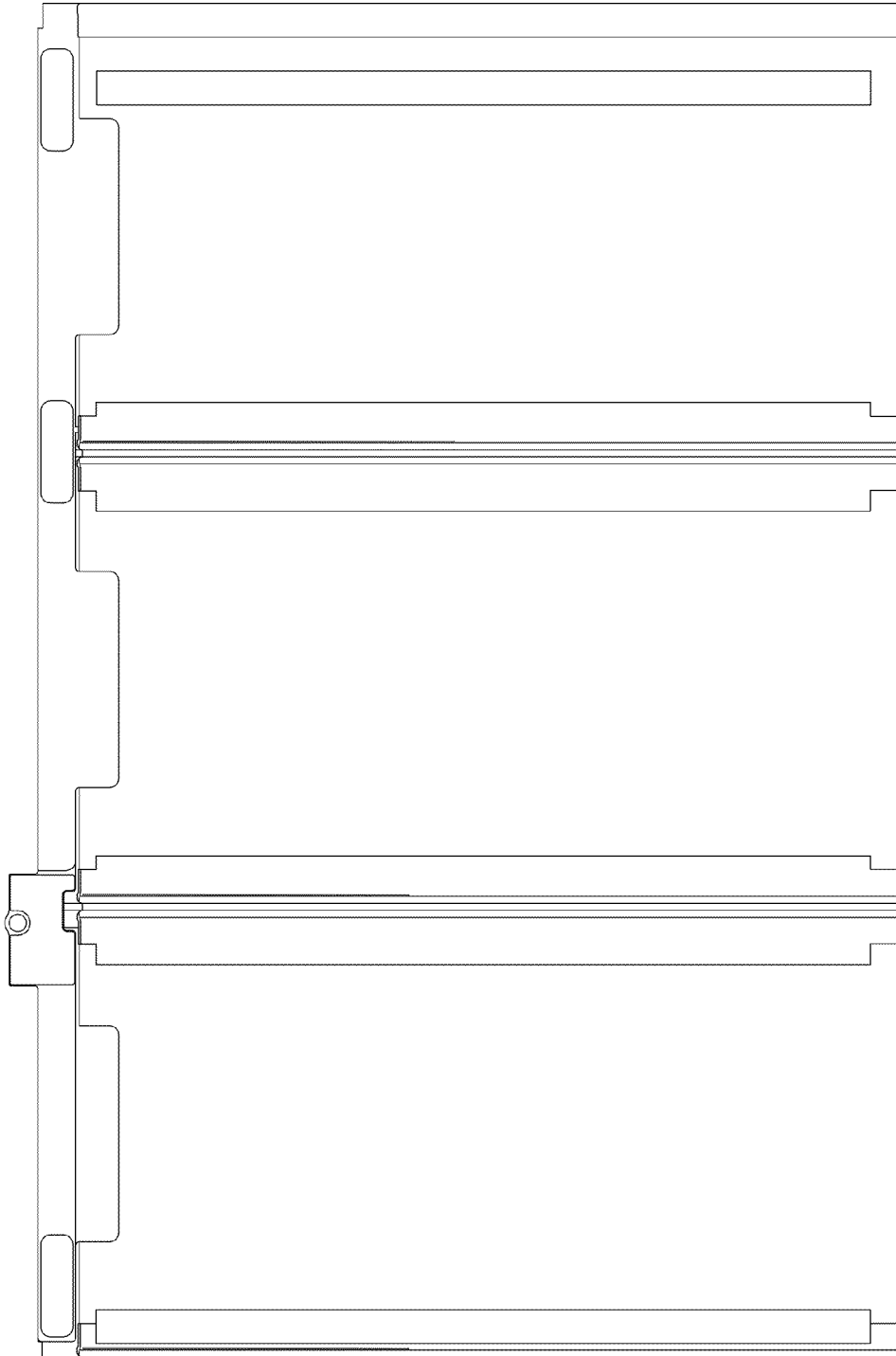


FIG. 3



FIG. 4



FIG. 5



FIG. 6



FIG. 7

UNITED STATES PATENT AND TRADEMARK OFFICE
CERTIFICATE OF CORRECTION

PATENT NO. : D719,087 S
APPLICATION NO. : 29/473939
DATED : December 9, 2014
INVENTOR(S) : Jeremy Bataillou et al.

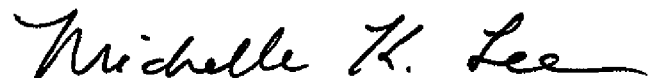
Page 1 of 1

It is certified that error appears in the above-identified patent and that said Letters Patent is hereby corrected as shown below:

On the Title Page, in the “DESCRIPTION” section, please delete the paragraph that reads:

“The broken lines in the Figures show portions of the battery for a portable display device which form no part of claimed design.”

Signed and Sealed this
Twenty-fourth Day of March, 2015



Michelle K. Lee
Director of the United States Patent and Trademark Office