

(12) **United States Design Patent**
Kliegman et al.

(10) **Patent No.:** **US D596,302 S**
(45) **Date of Patent:** **** Jul. 14, 2009**

(54) **PACIFIER COVER**
(75) Inventors: **Adriana B. Kliegman**, New York, NY
(US); **Diana B. Sierra**, North Bergen,
NJ (US)
(73) Assignee: **Playtex Products Inc.**, Westport, CT
(US)
(**) Term: **14 Years**
(21) Appl. No.: **29/307,092**
(22) Filed: **Mar. 31, 2008**

5,578,058 A	11/1996	Chen	606/236
5,611,622 A	3/1997	Wang	374/151
D409,309 S	5/1999	Tollman	D24/194
D439,983 S *	4/2001	Dealing	D24/194
D448,486 S	9/2001	Horntrich	D24/194
D452,373 S	12/2001	Horntrich	D3/294
6,485,505 B1 *	11/2002	Vasquez	606/234
D469,177 S *	1/2003	Rohrig	D24/124
D496,154 S	9/2004	Herman et al.	D3/203.1
D499,489 S	12/2004	Roehrig	D24/194
D502,393 S	3/2005	Au	D9/423
D508,915 S	8/2005	Nejigaki	D14/408
D515,414 S	2/2006	Au	D9/420
D545,055 S	6/2007	Lieberman et al.	D3/203.1

(51) **LOC (9) Cl.** **24-04**
(52) **U.S. Cl.** **D24/194; D24/199**
(58) **Field of Classification Search** D24/193-199,
D24/227; 606/234-236; 215/11.1-11.6;
128/200.24, 201.26, 202.13, 203.12, 360,
128/897
See application file for complete search history.

* cited by examiner
Primary Examiner—Robert M Spear
Assistant Examiner—Susan E Krakower
(74) *Attorney, Agent, or Firm*—Ohlandt, Greeley, Ruggiero
& Perle, L.L.P

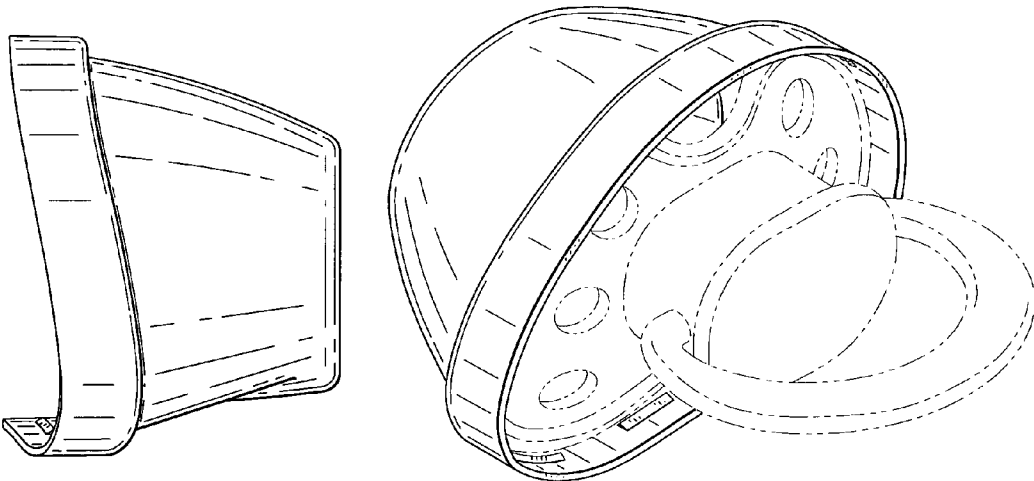
(56) **References Cited**
U.S. PATENT DOCUMENTS

2,579,194 A *	12/1951	Kronish	215/11.6
2,860,639 A *	11/1958	Hoover	606/234
3,635,724 A *	1/1972	Schaar	426/117
D243,366 S *	2/1977	Lybe et al.	D24/194
D248,279 S *	6/1978	Goldsmith et al.	D9/778
D257,790 S	1/1981	Kesling	D9/424
4,329,996 A *	5/1982	Copeland	606/234
4,417,613 A	11/1983	Ryan et al.	215/11.6
D275,993 S	10/1984	Ryan et al.	D24/194
4,493,324 A	1/1985	Johnston	128/360
4,852,569 A *	8/1989	Sanders	606/234
4,946,054 A *	8/1990	Maniero et al.	215/11.6
5,156,617 A	10/1992	Reid	606/234
D335,184 S	4/1993	Mastropiero	D24/194
D336,338 S	6/1993	Selame	D24/194
D339,423 S	9/1993	Rohig	D24/193
D340,287 S *	10/1993	Hines	D24/194
D359,123 S *	6/1995	Perrine	D24/195
D367,112 S	2/1996	Mastropiero	D24/194

(57) **CLAIM**
The ornamental design for a pacifier cover, as shown and described.

DESCRIPTION
FIG. 1 is a front perspective view of a pacifier cover showing our design;
FIG. 2 is a rear perspective view thereof;
FIG. 3 is a front elevation view thereof;
FIG. 4 is a rear elevation view thereof;
FIG. 5 is a side elevation view thereof, the opposite side being identical thereto;
FIG. 6 is a top plan view thereof;
FIG. 7 is a bottom plan view thereof; and,
FIG. 8 is a rear perspective view thereof, shown in use.
The broken lines in FIG. 8 showing a pacifier illustrate environmental structure and form no part of the claimed design.

1 Claim, 4 Drawing Sheets



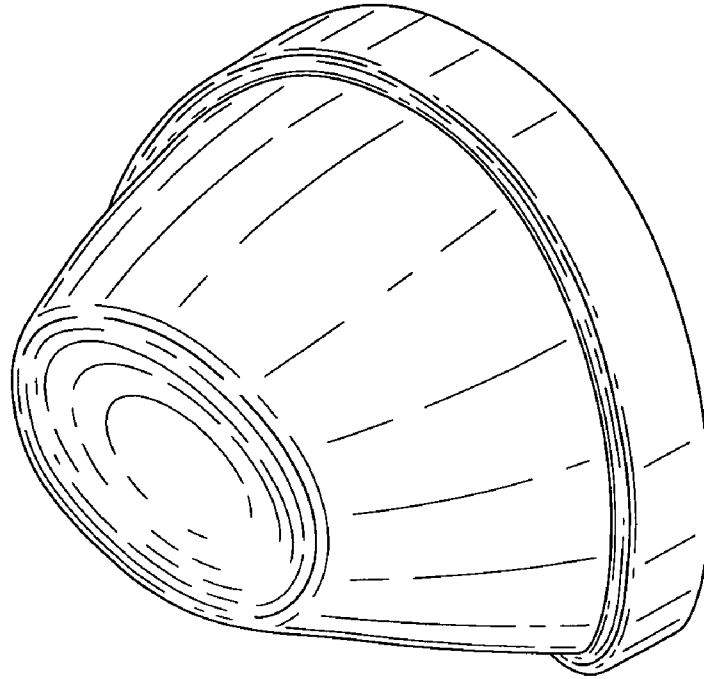


FIG. 1

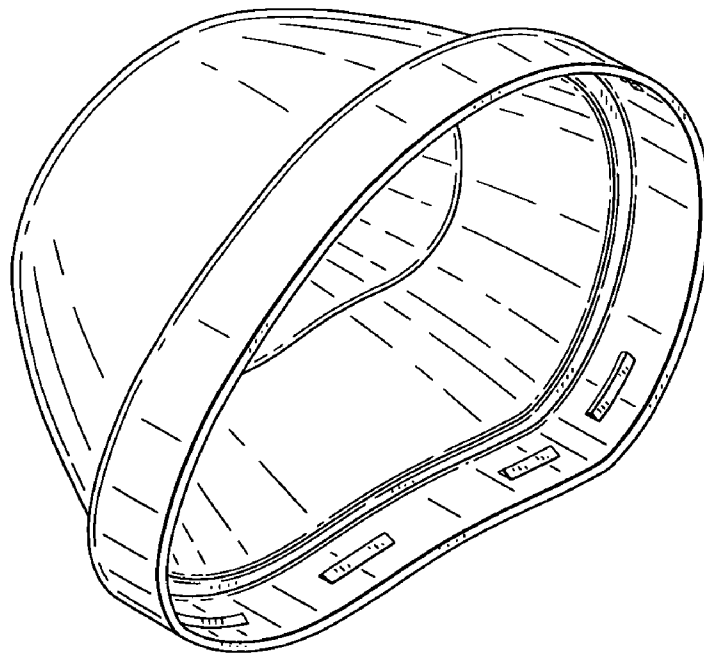


FIG. 2

FIG. 3

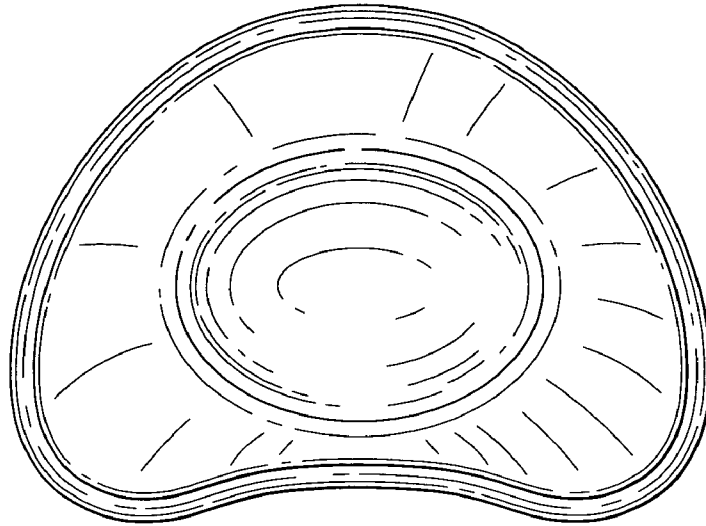


FIG. 4

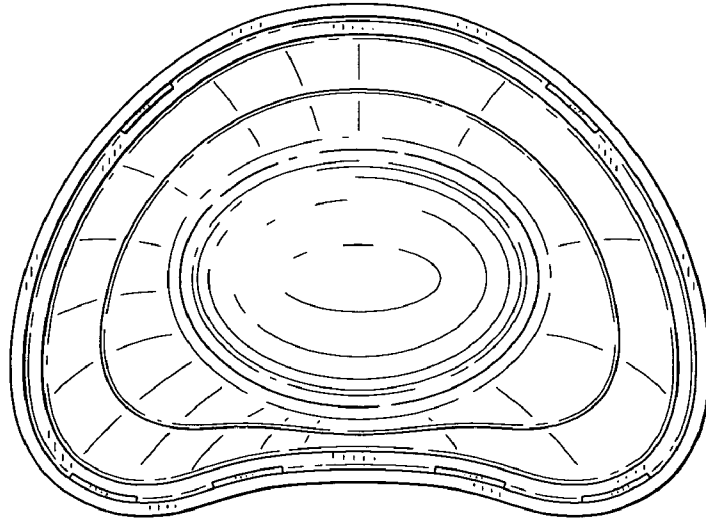
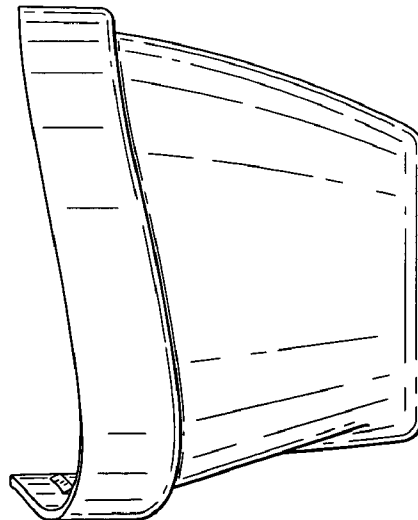


FIG. 5



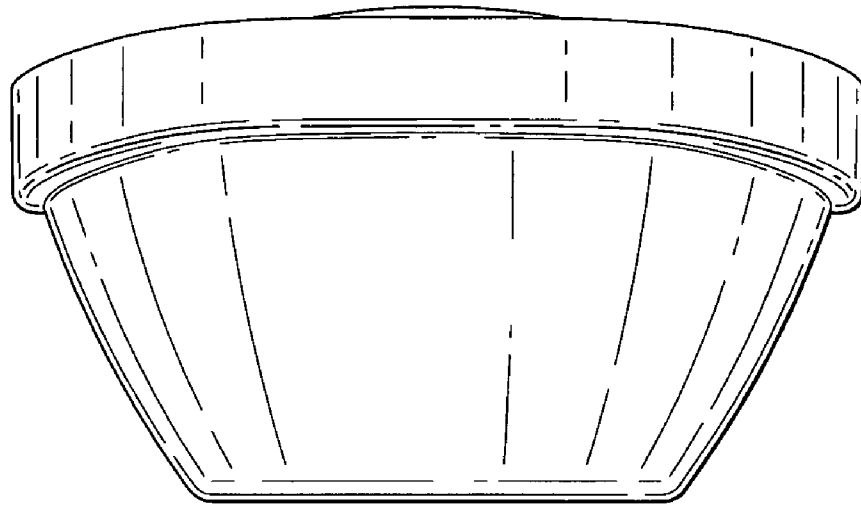


FIG. 6

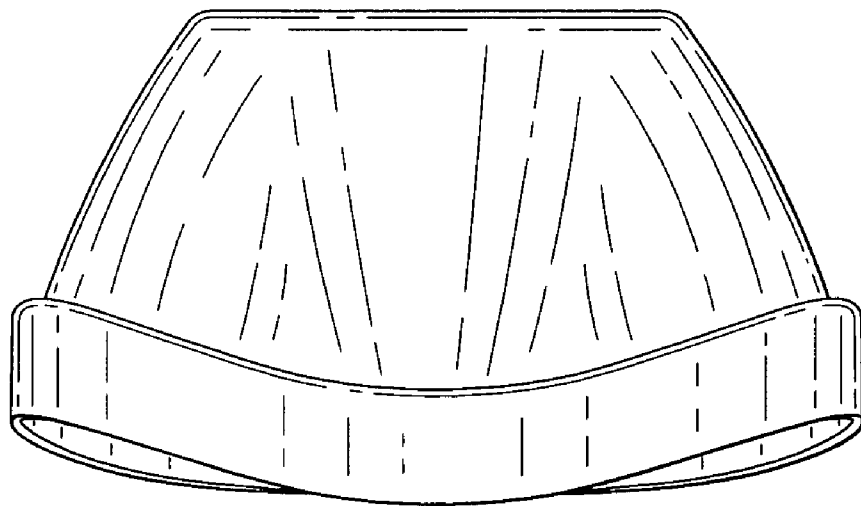


FIG. 7

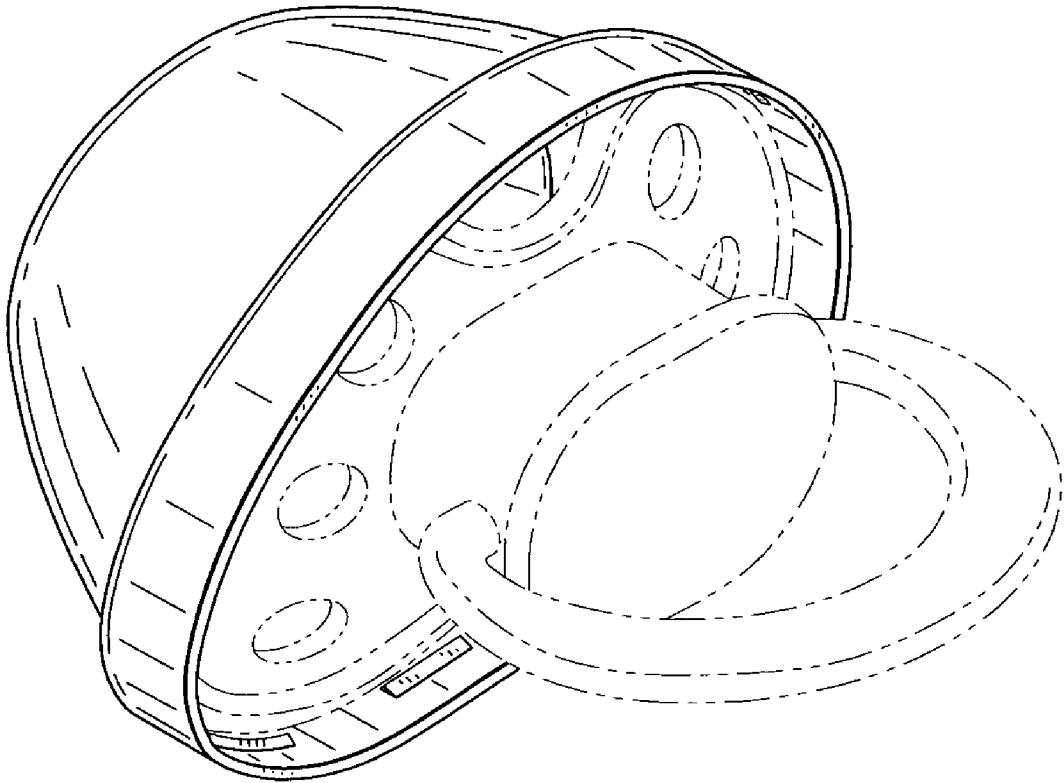


FIG. 8