

(19) World Intellectual Property Organization  
International Bureau



(43) International Publication Date  
10 June 2010 (10.06.2010)

(10) International Publication Number  
**WO 2010/064042 A3**

(51) International Patent Classification:  
*B65D 51/32* (2006.01)    *A47J 43/044* (2006.01)  
*B65D 85/78* (2006.01)    *A23G 9/48* (2006.01)  
*A23G 9/04* (2006.01)

(21) International Application Number:  
PCT/GB2009/051637

(22) International Filing Date:  
2 December 2009 (02.12.2009)

(25) Filing Language: English

(26) Publication Language: English

(30) Priority Data:  
0822002.2    2 December 2008 (02.12.2008)    GB  
0900710.5    16 January 2009 (16.01.2009)    GB

(71) Applicant (for all designated States except US):  
**MCGILL TECHNOLOGY LIMITED** [GB/GB]; Suite 1, 60 Churchill Square Business Centre, Kings Hill, West Malling Kent ME19 4YU (GB).

(72) Inventor; and

(75) Inventor/Applicant (for US only): **McGILL, Shane** [GB/GB]; Suite 1, 60 Churchill Square Business Centre, Kings Hill, West Malling Kent ME19 4YU (GB).

(74) Agent: **WITHERS & ROGERS LLP**; Goldings House, 2 Hays Lane, London SE1 2HW (GB).

(81) Designated States (unless otherwise indicated, for every kind of national protection available): AE, AG, AL, AM,

AO, AT, AU, AZ, BA, BB, BG, BH, BR, BW, BY, BZ, CA, CH, CL, CN, CO, CR, CU, CZ, DE, DK, DM, DO, DZ, EC, EE, EG, ES, FI, GB, GD, GE, GH, GM, GT, HN, HR, HU, ID, IL, IN, IS, JP, KE, KG, KM, KN, KP, KR, KZ, LA, LC, LK, LR, LS, LT, LU, LY, MA, MD, ME, MG, MK, MN, MW, MX, MY, MZ, NA, NG, NI, NO, NZ, OM, PE, PG, PH, PL, PT, RO, RS, RU, SC, SD, SE, SG, SK, SL, SM, ST, SV, SY, TJ, TM, TN, TR, TT, TZ, UA, UG, US, UZ, VC, VN, ZA, ZM, ZW.

(84) Designated States (unless otherwise indicated, for every kind of regional protection available): ARIPO (BW, GH, GM, KE, LS, MW, MZ, NA, SD, SL, SZ, TZ, UG, ZM, ZW), Eurasian (AM, AZ, BY, KG, KZ, MD, RU, TJ, TM), European (AT, BE, BG, CH, CY, CZ, DE, DK, EE, ES, FI, FR, GB, GR, HR, HU, IE, IS, IT, LT, LU, LV, MC, MK, MT, NL, NO, PL, PT, RO, SE, SI, SK, SM, TR), OAPI (BF, BJ, CF, CG, CI, CM, GA, GN, GQ, GW, ML, MR, NE, SN, TD, TG).

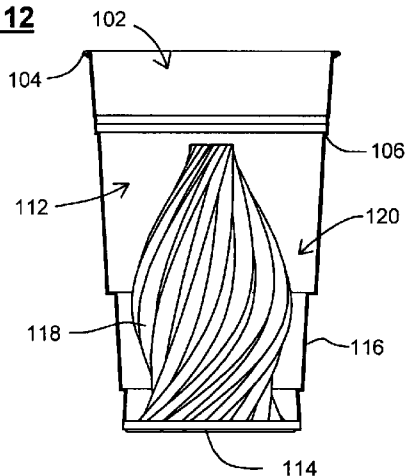
Published:

- with international search report (Art. 21(3))
- before the expiration of the time limit for amending the claims and to be republished in the event of receipt of amendments (Rule 48.2(h))

(88) Date of publication of the international search report:  
14 October 2010

(54) Title: BLENDED BEVERAGES

**FIGURE 12**



(57) Abstract: Blended beverage A frozen or semi-frozen ingredient is pre-packed in a drinks vessel at a packing location. The pre-packed drinks vessel is then transported to a dispensing location remote from said packing location. Liquid is poured into the drinks vessel at said dispensing location and blended with the frozen or semi-frozen ingredient. The drinks vessel defines a chamber in which the frozen or semi-frozen ingredient is packed at the packing location, the chamber having a base and a side wall extending up from the base. The frozen or semi-frozen ingredient is packed in said chamber in such a manner as to define a spacing between said frozen or semi-frozen ingredient and said side wall, into which the liquid ingredient may flow when added at the dispensing location.



WO 2010/064042 A3

## INTERNATIONAL SEARCH REPORT

International application No

PCT/GB2009/051637

## A. CLASSIFICATION OF SUBJECT MATTER

INV. B65D51/32 B65D85/78 A23G9/04 A47J43/044 A23G9/48  
 ADD.

According to International Patent Classification (IPC) or to both national classification and IPC

## B. FIELDS SEARCHED

Minimum documentation searched (classification system followed by classification symbols)

B65D A23G A47J

Documentation searched other than minimum documentation to the extent that such documents are included in the fields searched

Electronic data base consulted during the international search (name of data base and, where practical, search terms used)

EPO-Internal, FSTA, IBM-TDB, WPI Data

## C. DOCUMENTS CONSIDERED TO BE RELEVANT

Category*	Citation of document, with indication, where appropriate, of the relevant passages	Relevant to claim No.
X	JP 10 117692 A (SHIMURA EIJI) 12 May 1998 (1998-05-12)	1-7, 9, 10, 12, 13, 16-22, 26, 27
A	* abstract paragraph [0012] - paragraph [0013]; claim 1; figures 1, 4 & SHIMURA E: "Frozen confectionery for mixing alcoholic beverage - has conical recess formed on top centre part of container through which alcoholic beverage is injected and mixed" WPI / THOMSON,, vol. 1998, no. 29, 12 May 1998 (1998-05-12), XP002557816 ----- -/--	8, 11, 14, 15, 23-25



Further documents are listed in the continuation of Box C.



See patent family annex.

\* Special categories of cited documents:

"A" document defining the general state of the art which is not considered to be of particular relevance

"E" earlier document but published on or after the international filing date

"L" document which may throw doubts on priority claim(s) or which is cited to establish the publication date of another citation or other special reason (as specified)

"O" document referring to an oral disclosure, use, exhibition or other means

"P" document published prior to the international filing date but later than the priority date claimed

"T" later document published after the international filing date or priority date and not in conflict with the application but cited to understand the principle or theory underlying the invention

"X" document of particular relevance; the claimed invention cannot be considered novel or cannot be considered to involve an inventive step when the document is taken alone

"Y" document of particular relevance; the claimed invention cannot be considered to involve an inventive step when the document is combined with one or more other such documents, such combination being obvious to a person skilled in the art.

"&amp;" document member of the same patent family

Date of the actual completion of the international search

27 July 2010

Date of mailing of the international search report

19/08/2010

Name and mailing address of the ISA/

European Patent Office, P.B. 5818 Patentlaan 2  
 NL - 2280 HV Rijswijk  
 Tel. (+31-70) 340-2040,  
 Fax: (+31-70) 340-3016

Authorized officer

Granet, Nicolas

## INTERNATIONAL SEARCH REPORT

International application No

PCT/GB2009/051637

C(Continuation). DOCUMENTS CONSIDERED TO BE RELEVANT

Category*	Citation of document, with indication, where appropriate, of the relevant passages	Relevant to claim No.
E	<p>US 2010/098808 A1 (VAGHELA MADANSINH [US] ET AL) 22 April 2010 (2010-04-22)</p> <p>page 1, line 25 - page 2, line 30 page 5, line 16 - page 6, line 11; figures 2A,3</p>	<p>1-7,10, 12,14, 16-19, 21,22, 26,27</p>
X	<p>US 2006/115573 A1 (SINGER EVAN [US] ET AL) 1 June 2006 (2006-06-01)</p>	<p>1,2,4-8, 10, 12-19, 21-23,26</p>
A	<p>paragraph [0194] - paragraph [0196]; figures 6, 11</p>	<p>9,11,20, 24,25</p>
X	<p>WO 2007/057671 A2 (MCGILL TECH LTD [GB]; MCGILL SHANE ROBERT [GB]) 24 May 2007 (2007-05-24) cited in the application</p>	<p>1-5,7, 10-14, 16,17, 19,21-27</p>
A	<p>page 20, line 28 - page 21, line 15; claims 39-42; figures 1-9</p>	<p>6,9,20</p>
X	<p>"Milkshake" Wikipedia</p> <p>13 October 2008 (2008-10-13), XP002592429 Retrieved from the Internet: URL:<a href="http://en.wikipedia.org/w/index.php?title=Milkshake&amp;oldid=244936940">http://en.wikipedia.org/w/index.php?title=Milkshake&amp;oldid=244936940</a> [retrieved on 2010-07-19] par. "Soft serve mixed with syrup"</p>	<p>27</p>

# INTERNATIONAL SEARCH REPORT

Information on patent family members

International application No

PCT/GB2009/051637

Patent document cited in search report	Publication date	Patent family member(s)	Publication date
JP 10117692	A	12-05-1998	NONE
US 2010098808	A1	22-04-2010	WO 2010046171 A1 29-04-2010
US 2006115573	A1	01-06-2006	NONE
WO 2007057671	A2	24-05-2007	EP 1962657 A2 03-09-2008