

(19) World Intellectual Property Organization
International Bureau



(43) International Publication Date
24 July 2008 (24.07.2008)

PCT

(10) International Publication Number
WO 2008/088695 A3

(51) International Patent Classification:
A61N 1/00 (2006.01)

(74) Agent: RYAN KROMHOLZ & MANION, S.C.; P.O. Box 26618, Milwaukee, WI 53226 (US).

(21) International Application Number:
PCT/US2008/000259

(81) Designated States (unless otherwise indicated, for every kind of national protection available): AE, AG, AL, AM, AO, AT, AU, AZ, BA, BB, BG, BH, BR, BW, BY, BZ, CA, CH, CN, CO, CR, CU, CZ, DE, DK, DM, DO, DZ, EC, EE, EG, ES, FI, GB, GD, GE, GH, GM, GT, HN, HR, HU, ID, IL, IN, IS, JP, KE, KG, KM, KN, KP, KR, KZ, LA, LC, LK, LR, LS, LT, LU, LY, MA, MD, ME, MG, MK, MN, MW, MX, MY, MZ, NA, NG, NI, NO, NZ, OM, PG, PH, PL, PT, RO, RS, RU, SC, SD, SE, SG, SK, SL, SM, SV, SY, TJ, TM, TN, TR, TT, TZ, UA, UG, US, UZ, VC, VN, ZA, ZM, ZW.

(22) International Filing Date: 8 January 2008 (08.01.2008)

(25) Filing Language: English

(26) Publication Language: English

(30) Priority Data:
11/653,578 16 January 2007 (16.01.2007) US

(84) Designated States (unless otherwise indicated, for every kind of regional protection available): ARIPO (BW, GH, GM, KE, LS, MW, MZ, NA, SD, SL, SZ, TZ, UG, ZM, ZW), Eurasian (AM, AZ, BY, KG, KZ, MD, RU, TJ, TM), European (AT, BE, BG, CH, CY, CZ, DE, DK, EE, ES, FI, FR, GB, GR, HR, HU, IE, IS, IT, LT, LU, LV, MC, MT, NL, NO, PL, PT, RO, SE, SI, SK, TR), OAPI (BF, BJ, CF, CG, CI, CM, GA, GN, GQ, GW, ML, MR, NE, SN, TD, TG).

(71) Applicant (for all designated States except US): NDI MEDICAL, LLC [US/US]; 22901 Millcreek Boulevard, Suite 110, Cleveland, OH 44122 (US).

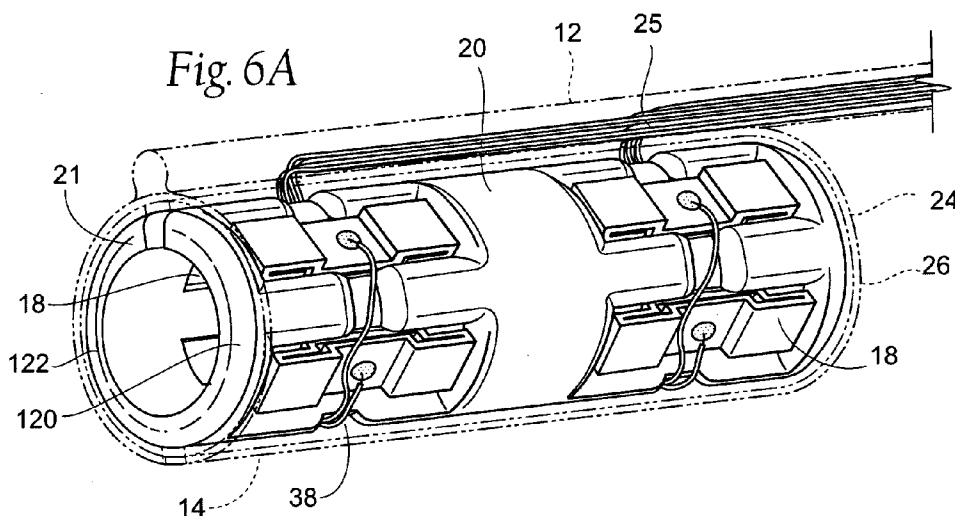
(72) Inventors; and

(75) Inventors/Applicants (for US only): MVRA, Joseph, J. [US/US]; 376 E. 270th Street, Euclid, OH 44132 (US). RUNDLE, Kenneth, P. [US/US]; 8304 Brookside Road, Independence, OH 44131 (US). BOGGS, Joseph, W. II [US/US]; 105 Jones Ferry Road, Unit G., Carrboro, NC 27510 (US).

Published:
— with international search report

(88) Date of publication of the international search report:
13 November 2008

(54) Title: DEVICES, SYSTEMS, AND METHODS EMPLOYING A MOLDED NERVE CUFF ELECTRODE



(57) Abstract: Devices, systems, and methods for recording, and/or stimulation, and/or blocking of a nerve make use of a molded nerve cuff electrode. One or more electrodes are positioned in one or more frames within a casing. The exterior surface of the casing is wrapped in an insulating material, and the wrapped casing is positioned within a cover tube. One or more additional electrodes may be positioned anywhere outside of the casing. An applicator tool having a body to hold the molded nerve cuff in an expanded configuration is used to implant the cuff about a nerve.

WO 2008/088695 A3

INTERNATIONAL SEARCH REPORT

International application No.

PCT/US 08/00259

A. CLASSIFICATION OF SUBJECT MATTER IPC(8) - A61N 1/00 (2008.04) USPC - 607/118 According to International Patent Classification (IPC) or to both national classification and IPC		
B. FIELDS SEARCHED Minimum documentation searched (classification system followed by classification symbols) IPC(8) - A61N 1/00 (2008.04) USPC - 607/118 Documentation searched other than minimum documentation to the extent that such documents are included in the fields searched USPC - 607/1, 115, 116, 118 (Text Search) Electronic data base consulted during the international search (name of data base and, where practicable, search terms used) PubWEST (PGPB, USPT, USOC, EPAB, JPAB); DialogPRO (Engineering) and Google Scholar. Search Terms: cuff electrode, insulating, tube, electrode, layers, expansion, expandible, conductive, surface, opposing, opposite, counter, inner, outer, counter electrode, electrically, split, splitting, slit, out of phase, cut, rotat\$		
C. DOCUMENTS CONSIDERED TO BE RELEVANT		
Category*	Citation of document, with indication, where appropriate, of the relevant passages	Relevant to claim No.
Y	US 2006/0030919 A1 (MRVA et al.) 09 February 2006 (09.02.2006) fig 1, 2; col 2, ln 61-67; col 3, ln 1-13; col 4, ln 21-28, 39-40, 56-59, 63-65; col 5, ln 11-15, 18-21, 31-37, 49-60; col 6, ln 5-7, 65-67; col 7, ln 1-9.	1-21
Y	US 5,964,702 A (GRILL et al.) 12 October 1999 (12.10.1999) fig 1, 2A; para [0010], [0013], [0033]-[0036].	1-21
Y	US US 2002/0193790 A1 (FLEISCHMAN et al.) 19 December 2002 (19.12.2002) para [0082]	6 and 7
Y	US 2004/0138609 A1 (FUKUTA et al.) 15 July 2004 (15.07.2004) para [0005].	10, 13 and 14
Y	US 5,989,233 A (YOON) 23 November 1999 (23.11.1999) col 27, ln 48-51; col 28, ln 19-24.	12
Y	US 2005/0277999 A1 (STROTHER et al.) 15 December 2005 (15.12.2005) para [0011], [0041], [0044], [0089], [0090].	20
<input type="checkbox"/> Further documents are listed in the continuation of Box C. <input type="checkbox"/>		
* Special categories of cited documents:	"T"	later document published after the international filing date or priority date and not in conflict with the application but cited to understand the principle or theory underlying the invention
"A" document defining the general state of the art which is not considered to be of particular relevance	"X"	document of particular relevance; the claimed invention cannot be considered novel or cannot be considered to involve an inventive step when the document is taken alone
"E" earlier application or patent but published on or after the international filing date	"Y"	document of particular relevance; the claimed invention cannot be considered to involve an inventive step when the document is combined with one or more other such documents, such combination being obvious to a person skilled in the art
"L" document which may throw doubts on priority claim(s) or which is cited to establish the publication date of another citation or other special reason (as specified)	"&"	document member of the same patent family
"O" document referring to an oral disclosure, use, exhibition or other means		
"P" document published prior to the international filing date but later than the priority date claimed		
Date of the actual completion of the international search 30 June 2008 (30.06.2008)	Date of mailing of the international search report 08 JUL 2008	
Name and mailing address of the ISA/US Mail Stop PCT, Attn: ISA/US, Commissioner for Patents P.O. Box 1450, Alexandria, Virginia 22313-1450 Facsimile No. 571-273-3201	Authorized officer: Lee W. Young PCT Helpdesk: 571-272-4300 PCT OSP: 571-272-7774	