

(19) World Intellectual Property Organization
International Bureau



(43) International Publication Date
8 January 2009 (08.01.2009)

PCT

(10) International Publication Number
WO 2009/005319 A3

(51) International Patent Classification:
F25C 5/00 (2006.01) F25D 23/02 (2006.01)

(21) International Application Number:
PCT/KR2008/003942

(22) International Filing Date:
3 July 2008 (03.07.2008)

(25) Filing Language: English

(26) Publication Language: English

(30) Priority Data:
10-2007-0067005 4 July 2007 (04.07.2007) KR

(71) Applicant (for all designated States except US): LG ELECTRONICS INC. [KR/KR]; 20, Yeouido-dong, Yeongdeungpo-gu, Seoul 150-721 (KR).

(72) Inventors; and

(75) Inventors/Applicants (for US only): KIM, Seong Jae [KR/KR]; LG Electronics Inc. Gasan R & D Campus, 327-23 Gasan-dong, Geumcheon-gu, Seoul 153-802 (KR). LEE, Nam Gi [KR/KR]; LG Electronics Inc. Gasan R & D Campus, 327-23 Gasan-dong, Geumcheon-gu, Seoul 153-802 (KR).

(74) Agents: BAHNG, Hae Cheol et al.; KBK & Associates, 15th Floor, YoSam Building, 648-23, Yeoksam-dong, Kangnam-ku, Seoul 135-748 (KR).

(81) Designated States (unless otherwise indicated, for every kind of national protection available): AE, AG, AL, AM, AO, AT, AU, AZ, BA, BB, BG, BH, BR, BW, BY, BZ, CA, CH, CN, CO, CR, CU, CZ, DE, DK, DM, DO, DZ, EC, EE, EG, ES, FI, GB, GD, GE, GH, GM, GT, HN, HR, HU, ID, IL, IN, IS, JP, KE, KG, KM, KN, KP, KZ, LA, LC, LK, LR, LS, LT, LU, LY, MA, MD, ME, MG, MK, MN, MW, MX, MY, MZ, NA, NG, NI, NO, NZ, OM, PG, PH, PL, PT, RO, RS, RU, SC, SD, SE, SG, SK, SL, SM, ST, SV, SY, TJ, TM, TN, TR, TT, TZ, UA, UG, US, UZ, VC, VN, ZA, ZM, ZW.

(84) Designated States (unless otherwise indicated, for every kind of regional protection available): ARIPO (BW, GH, GM, KE, LS, MW, MZ, NA, SD, SL, SZ, TZ, UG, ZM, ZW), Eurasian (AM, AZ, BY, KG, KZ, MD, RU, TJ, TM), European (AT, BE, BG, CH, CY, CZ, DE, DK, EE, ES, FI, FR, GB, GR, HR, HU, IE, IS, IT, LT, LU, LV, MC, MT, NL, NO, PL, PT, RO, SE, SI, SK, TR), OAPI (BF, BJ, CF, CG, CI, CM, GA, GN, GQ, GW, ML, MR, NE, SN, TD, TG).

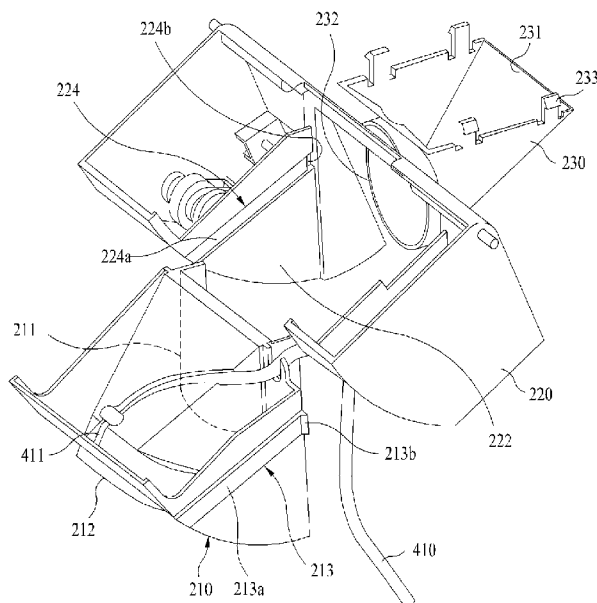
Published:

— with international search report (Art. 21(3))

[Continued on next page]

(54) Title: A DISPENSER AND A REFRIGERATOR INCLUDING THE SAME

[Fig. 4]



(57) Abstract: A dispenser and a refrigerator including the same are disclosed. The dispenser includes a body defined with a passage for movement of a content supplied from a supplier, and a glide member (210) separably coupled to the body, to guide the content to an outside of the body.

WO 2009/005319 A3



— *before the expiration of the time limit for amending the claims and to be republished in the event of receipt of amendments (Rule 48.2(h))*

(88) Date of publication of the international search report:
3 December 2009

INTERNATIONAL SEARCH REPORT

International application No.
PCT/KR 2008/003942

A. CLASSIFICATION OF SUBJECT MATTER IPC ⁸ : F25C 5/00 (2006.01); F25D 23/02 (2006.01) According to International Patent Classification (IPC) or to both national classification and IPC		
B. FIELDS SEARCHED		
Minimum documentation searched (classification system followed by classification symbols) IPC ⁸ : F25C, F25D		
Documentation searched other than minimum documentation to the extent that such documents are included in the fields searched EPODOC, WPI		
Electronic data base consulted during the international search (name of data base and, where practicable, search terms used)		
C. DOCUMENTS CONSIDERED TO BE RELEVANT		
Category*	Citation of document, with indication, where appropriate, of the relevant passages	Relevant to claim No.
A	US 5,829,646 A (SCHROEDER) 3 November 1998 (03.11.1998) <i>fig. 7</i>	1
	--	
A	US 2003/230108 A1 (LUCAS) 18 December 2003 (18.12.2003) <i>fig. 15</i>	1
	--	
A	DE 2 128 229 A1 (GENERAL ELECTRIC) 16 December 1971 (16.12.1971) <i>fig. 1</i>	19
	--	
A	US 3,094,154 A (DANIELS) 18 June 1963 (18.06.1963)	1

<input type="checkbox"/> Further documents are listed in the continuation of Box C. <input checked="" type="checkbox"/> See patent family annex.		
* Special categories of cited documents: "A" document defining the general state of the art which is not considered to be of particular relevance "E" earlier application or patent but published on or after the international filing date "L" document which may throw doubts on priority claim(s) or which is cited to establish the publication date of another citation or other special reason (as specified) "O" document referring to an oral disclosure, use, exhibition or other means "P" document published prior to the international filing date but later than the priority date claimed "T" later document published after the international filing date or priority date and not in conflict with the application but cited to understand the principle or theory underlying the invention "X" document of particular relevance; the claimed invention cannot be considered novel or cannot be considered to involve an inventive step when the document is taken alone "Y" document of particular relevance; the claimed invention cannot be considered to involve an inventive step when the document is combined with one or more other such documents, such combination being obvious to a person skilled in the art "&" document member of the same patent family		
Date of the actual completion of the international search 18 September 2009 (18.09.2009)		Date of mailing of the international search report 13 October 2009 (13.10.2009)
Name and mailing address of the ISA/ AT Austrian Patent Office Dresdner Straße 87, A-1200 Vienna Facsimile No. +43 / 1 / 534 24 / 535		Authorized officer KUTZENBERGER T. Telephone No. +43 / 1 / 534 24 / 577

INTERNATIONAL SEARCH REPORT

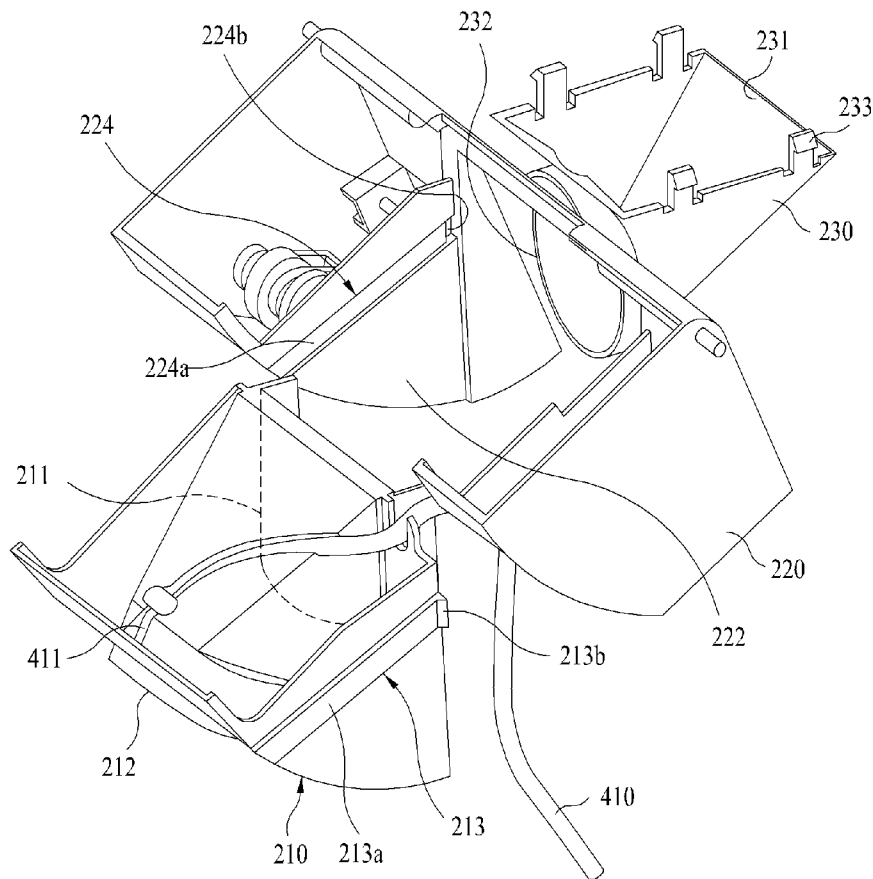
Information on patent family members

International application No.

PCT/KR 2008/003942

Patent document cited in search report	Publication date	Patent family member(s)	Publication date
US A 5829646		MX A 9706244	1997-11-29
		CN A 1277141	2000-12-20
		US A 5829646	1998-11-03
		US A 5660307	1997-08-26
		WO A2 9626116	1996-08-29
		RU C1 2145305	2000-02-10
US A 2003230108		US A1 2003230108	2003-12-18
DE A 2128229		FR A5 2094120	1972-02-04
		DE A1 2128229	1971-12-16
US A 3094154		US A 3094154	1963-06-18

[Fig. 4]



[Fig. 5]

